

Rack to Mini Pressurized Logistics Module Interface Control Document (ICD) Part 1

International Space Station Program

Revision F

May 18, 2001



NASDA

National Space Development
Agency of Japan



esa

European Space Agency



agenzia spaziale italiana
(Italian Space Agency)

National Aeronautics and Space Administration
International Space Station Program
Johnson Space Center
Houston, Texas
Contract No. NAS15-10000 (DR VE05)



REVISION AND HISTORY PAGE

REV.	DESCRIPTION	PUB. DATE																								
-	<p>Initial Release (Reference per SSCBD 000293, EFF. 05/10/96)</p> <p>The Following PIRNs were agreed to and incorporated into this Initial Release;</p> <p>41017-AS-0001A 41017-AS-0005B 41017-NA-0001E 41017-NA-0002D 41017-NA-0007</p>	06/12/96																								
A	<p>Revision A (REFERENCE PIRN ES-0006A, NA-0008B, NA-0014, NA-0016A, NA-0018, ND-0003B, NA-0010A, AS-0011B) (Reference per SSCD 000403, EFF. 10/04/96)</p>	04/16/98																								
B	<p>Revision B (REFERENCE PIRN, AS-0013B, AS-0014D, AS-0015C, NA-0021E, NA-0023D) (Reference per SSCD 000607, EFF. 01/08/98)</p>	08/19/98																								
C	<p>Revision C (REFERENCE SSCD 000988, EFF. 07/26/00) (Reference per PIRNs AS-0016, AS-0017C, NA-0026A, NA-0027, NA-0028B, NA-0030B)</p>	04/06/01																								
	<p>IRN 41017-0343 (Reference SSCN 000343, EFF. 07/09/98)</p>	04/06/01																								
D	<p>Revision D (REFERENCE SSCD 001809, EFF. 08/01/00)</p> <p>Incorporates the following PIRNs associated with the appropriate SSCNs.</p> <table border="0" data-bbox="337 1108 993 1346"> <tr> <td>PIRN 41017-ES-0007F</td> <td>IRN N/A</td> <td>SSCN 001809</td> </tr> <tr> <td>PIRN 41017-NA-0024H</td> <td>IRN N/A</td> <td>SSCN 001809</td> </tr> <tr> <td>PIRN 41017-NA-0032B</td> <td>IRN N/A</td> <td>SSCN 001809</td> </tr> <tr> <td>PIRN 41017-NA-0037B</td> <td>IRN N/A</td> <td>SSCN 001809</td> </tr> <tr> <td>PIRN 41017-NA-0038A</td> <td>IRN N/A</td> <td>SSCN 001809</td> </tr> <tr> <td>PIRN 41017-NA-0039A</td> <td>IRN N/A</td> <td>SSCN 001809</td> </tr> <tr> <td>PIRN 41017-NA-0041</td> <td>IRN N/A</td> <td>SSCN 001809</td> </tr> <tr> <td>PIRN 41017-ND-0005C</td> <td>IRN N/A</td> <td>SSCN 001809</td> </tr> </table> <p>Revision D accounts for impacts identified in the following SSCNs: 000845, 000591, 000583, 000773, 001004, 000832, 000440, 000671, 000877, 000915, 000844, 001029, 001051, 001052, 001026, 000470, 000823, 000673, 000585, 000588, 000600, 000567 001127, and 000554.</p> <p>Revision D also closes IRN 0346 for SSCN 000346 as the PIRN 41017-NA-0017 was withdrawn and IRN 0074 for SSCN 000074 as the PIRN 41017-NA-0009A was withdrawn.</p>	PIRN 41017-ES-0007F	IRN N/A	SSCN 001809	PIRN 41017-NA-0024H	IRN N/A	SSCN 001809	PIRN 41017-NA-0032B	IRN N/A	SSCN 001809	PIRN 41017-NA-0037B	IRN N/A	SSCN 001809	PIRN 41017-NA-0038A	IRN N/A	SSCN 001809	PIRN 41017-NA-0039A	IRN N/A	SSCN 001809	PIRN 41017-NA-0041	IRN N/A	SSCN 001809	PIRN 41017-ND-0005C	IRN N/A	SSCN 001809	04/10/01
PIRN 41017-ES-0007F	IRN N/A	SSCN 001809																								
PIRN 41017-NA-0024H	IRN N/A	SSCN 001809																								
PIRN 41017-NA-0032B	IRN N/A	SSCN 001809																								
PIRN 41017-NA-0037B	IRN N/A	SSCN 001809																								
PIRN 41017-NA-0038A	IRN N/A	SSCN 001809																								
PIRN 41017-NA-0039A	IRN N/A	SSCN 001809																								
PIRN 41017-NA-0041	IRN N/A	SSCN 001809																								
PIRN 41017-ND-0005C	IRN N/A	SSCN 001809																								

REVISION AND HISTORY PAGE

REV.	DESCRIPTION	PUB. DATE																					
E	<p>Revision E (Reference SSCD 003760, EFF. 06/30/00)</p> <p>Incorporates the following PIRNs associated with the appropriate SSCNs</p> <table data-bbox="337 478 993 653"> <tr> <td>PIRN 41017-NA-0036A</td> <td>IRN N/A</td> <td>SSCN 003760</td> </tr> <tr> <td>PIRN 41017-NA-0043B</td> <td>IRN N/A</td> <td>SSCN 003760</td> </tr> <tr> <td>PIRN 41017-NA-0051C</td> <td>IRN N/A</td> <td>SSCN 003760</td> </tr> <tr> <td>PIRN 41017-NA-0052</td> <td>IRN N/A</td> <td>SSCN 003760</td> </tr> <tr> <td>PIRN 41017-NA-0053C</td> <td>IRN N/A</td> <td>SSCN 003760</td> </tr> <tr> <td>PIRN 41017-NA-0055A</td> <td>IRN N/A</td> <td>SSCN 003760</td> </tr> </table> <p>Incorporate the following PIRNs with the appropriate SSCNs</p> <table data-bbox="337 730 993 764"> <tr> <td>PIRN 41017-NA-0044G</td> <td>IRN 0006</td> <td>SSCN 001959</td> </tr> </table>	PIRN 41017-NA-0036A	IRN N/A	SSCN 003760	PIRN 41017-NA-0043B	IRN N/A	SSCN 003760	PIRN 41017-NA-0051C	IRN N/A	SSCN 003760	PIRN 41017-NA-0052	IRN N/A	SSCN 003760	PIRN 41017-NA-0053C	IRN N/A	SSCN 003760	PIRN 41017-NA-0055A	IRN N/A	SSCN 003760	PIRN 41017-NA-0044G	IRN 0006	SSCN 001959	TBD
PIRN 41017-NA-0036A	IRN N/A	SSCN 003760																					
PIRN 41017-NA-0043B	IRN N/A	SSCN 003760																					
PIRN 41017-NA-0051C	IRN N/A	SSCN 003760																					
PIRN 41017-NA-0052	IRN N/A	SSCN 003760																					
PIRN 41017-NA-0053C	IRN N/A	SSCN 003760																					
PIRN 41017-NA-0055A	IRN N/A	SSCN 003760																					
PIRN 41017-NA-0044G	IRN 0006	SSCN 001959																					
F	<p>Revision F (Reference SSCD 005508, EFF 5/18/01)</p> <p>Incorporates the following PIRNs associated with the appropriate SSCNs</p> <table data-bbox="337 905 993 989"> <tr> <td>PIRN 41017-AS-0018F</td> <td>IRN N/A</td> <td>SSCN 005508</td> </tr> <tr> <td>PIRN 41017-NA-0050H</td> <td>IRN N/A</td> <td>SSCN 001937</td> </tr> <tr> <td>PIRN 41017-ND-0008B</td> <td>IRN N/A</td> <td>SSCN 005508</td> </tr> </table> <p>Incorporate the following PIRNs with the appropriate SSCNs</p> <table data-bbox="337 1073 993 1106"> <tr> <td>PIRN 41017-NA-0054</td> <td>IRN 0011</td> <td>SSCN 003011</td> </tr> </table>	PIRN 41017-AS-0018F	IRN N/A	SSCN 005508	PIRN 41017-NA-0050H	IRN N/A	SSCN 001937	PIRN 41017-ND-0008B	IRN N/A	SSCN 005508	PIRN 41017-NA-0054	IRN 0011	SSCN 003011										
PIRN 41017-AS-0018F	IRN N/A	SSCN 005508																					
PIRN 41017-NA-0050H	IRN N/A	SSCN 001937																					
PIRN 41017-ND-0008B	IRN N/A	SSCN 005508																					
PIRN 41017-NA-0054	IRN 0011	SSCN 003011																					

PREFACE

The contents of this document are intended to be consistent with the tasks and products to be prepared by Program participants. The SSP 41017 Rack to Mini Pressurized Logistics Module Interface Control Document Part 1, Revision A shall be implemented on all new ISSA contractual and internal activities and shall be included in any existing contracts through contract changes. This document is under the control of the Space Station Control Board, and any changes or revisions will be approved by the Program Manager (or statement to indicate the delegated authority, i.e., SSAIT, VAIT).

INTERNATIONAL SPACE STATION PROGRAM
RACK TO MINI PRESSURIZED LOGISTICS MODULE
INTERFACE CONTROL DOCUMENT PART 1, REVISION E

LIST OF CHANGES

MAY 18, 2001

All changes to paragraphs, tables, and figures in this document are shown below:

SSCBD	ENTRY DATE	CHANGE	PARAGRAPH(S)
000403		AS-0011B	3.2.1.4.4
		ES-0006A	PARAGRAPH(S) 2.0 3.2.1.2 3.2.2.2 3.2.2.3.5 APPENDIX A1
		NA-0008B	FIGURES 3.2.1.1.1-1 3.2.1.1.1-2
		NA-0010A	PARAGRAPHS 3.2.1.4.2
		NA-0014	PARAGRAPHS 4.0
		NA-0016A	PARAGRAPHS 2.0
		NA-0018	PARAGRAPHS Delete Issue Sheets
		ND-0003B	PARAGRAPHS 3.2.1.1.2 FIGURES 3.2.1.1.2-1 3.2.1.1.2-2 3.2.1.1.2-3

SSCBD	ENTRY DATE	CHANGE	PARAGRAPH(S)
000607		AS-0013B	3.2.1.3.4 3.2.2.3.5
		AS-0014D	PARAGRAPH(S) 3.2.1.4.2 3.2.1.4.3 3.2.2.4.3 TABLE(S) 3.2.1.4.2-1 3.2.1.4.2-2 3.2.1.4.3-1
		AS-0015C	PARAGRAPH(S) 4.0 TABLE(S) 4.0-1 (add)
		NA-0021E	FIGURE(S) 3.2.1.1.2-1 3.2.1.1.2-2
		NA-0023D	FIGURE(S) 3.2.1.1.2-4 3.2.1.1.2-5 3.2.1.1.2-6
000988		AS-0016	PARAGRAPH(S) 3.2.1.4.4
		AS-0017C	TABLE(S) 3.2.1.4.1.1-1 3.2.2.4.1.1-1 PARAGRAPH(S) 3.2.1.4.1.1 3.2.2.4.1.1
		NA-0026A	PARAGRAPH(S) 2.0 2.1

SSCBD	ENTRY DATE	CHANGE	PARAGRAPH(S)
		NA-0027	Add to Concurrence Sheet
		NA-0028B	FIGURE(S) 3.2.1.1.2-1 3.2.1.1.2-2
		NA-0030B	PARAGRAPH(S) 3.2.1.3.3
000343		NA-0015A	PARAGRAPH(S) 3.2.1.1.1 3.2.1.1.2 3.2.2.1.1 3.2.2.1.2 FIGURE(S) 3.2.1.1.1-4 3.2.1.1.1-5 3.2.1.1.1-6 3.2.1.1.2-3 3.2.1.1.2-4 3.2.1.1.2-5
001809		ES-0007F	PARAGRAPH(S) 3.2.1.1.1 FIGURE(S) 3.2.1.1.1-6 3.2.1.1.1-7 3.2.1.1.1-8
		NA-0024H	PARAGRAPH(S) 3.2.1.1.2 FIGURE(S) 3.2.1.1.2-7 3.2.1.1.2-8 3.2.1.1.2-9
		NA-0032	FIGURE(S) 3.2.1.1.2-2
		NA-0037B	PARAGRAPH(S) 3.2.2.3.6

SSCBD	ENTRY DATE	CHANGE	FIGURE(S)
		NA-0038A	3.2.1.1.1-1
		NA-0039A	FIGURE(S) 3.2.1.1.2-7 3.2.1.1.2-10
		NA-0041	3.2.2.3.1.1 3.2.2.3.1.2 FIGURE(S) 3.2.1.1.1-3 TABLE(S) 3.2.1.4.3-1
		ND-0005C	PARAGRAPH(S) 3.2.1.4.2 3.2.1.4.3 TABLE(S) 3.2.1.4.2-1 3.2.1.4.2-2 3.2.1.4.2-3 3.2.1.4.3-1 3.2.1.4.3-2 3.2.1.4.3-3
003760		NA-0036A	TABLE(S) 3.2.1.4.1.2-1
		NA-0043B	FIGURE(S) 3.2.1.1.2-1 3.2.1.1.2-2
		NA-0051C	FIGURE(S) 3.2.1.1.2-7
		NA-0052	PARAGRAPH(S) 3.2.1.4.4
		NA-0053C	PARAGRAPH(S) 3.2.1.2 3.2.1.2.1 (ADD) 3.2.1.2.2 (ADD) 3.2.2.2

SSCBD	ENTRY DATE	CHANGE	TABLE(S)
		NA-0055A	3.2.1.4.2-1
001959		NA-0044G	TABLE(S) 3.2.1.4.3-1
005508		AS-0018F	TABLE(S) 3.2.1.4.2-1 3.2.1.4.3-1
		NA-0050H	FIGURE(S) 3.2.1.1.2-1 3.2.1.1.2-2
		ND-0008B	PARAGRAPH(S) 3.2.1.1.2
			FIGURE(S) 3.2.1.1.2-11 (Page 1 of 5) (ADD) 3.2.1.1.2-11 (Page 2 of 5) (ADD) 3.2.1.1.2-11 (Page 3 of 5) (ADD) 3.2.1.1.2-11 (Page 4 of 5) (ADD) 3.2.1.1.2-11 (Page 5 of 5) (ADD) 3.2.1.1.2-12 (Page 1 of 4) (ADD) 3.2.1.1.2-12 (Page 2 of 4) (ADD) 3.2.1.1.2-12 (Page 3 of 4) (ADD) 3.2.1.1.2-12 (Page 4 of 4) (ADD)
003011		NA-0054	TABLE(S) 3.2.1.4.3-1

NASA/NASDA/ESA/ASI APPROVAL

**INTERNATIONAL SPACE STATION PROGRAM
RACK TO MINI PRESSURIZED LOGISTICS MODULE
INTERFACE CONTROL DOCUMENT**

MAY 18, 2001

/s/ Douglas R. Cook

NASA Program Manager

/s/ Y. Horikawa

NASDA Program Manager

Randy H. Brinkley

Print Name

Yasushi Horikawa

Print Name

5/10/96

Date

5/31/96

Date

/s/Jochen Graf

ESA Program Manager

/s/Giovanni Rum

ASI Program Manager

Jochen Graf

Print Name

Giovanni Rum

Print Name

3/26/96

Date

3/27/96

Date

CONCURRENCE

INTERNATIONAL SPACE STATION PROGRAM RACK TO MINI PRESSURIZED LOGISTICS MODULE INTERFACE CONTROL DOCUMENT

MAY 18, 2001

NASA ICWG Chairman Representative for Concurrence	/s/Frank Monahan Frank Monahan	<u>3/26/96</u> DATE
ASI ICWG Chairman Representative for Concurrence	/s/Andrea Lorenzoni Andrea Lorenzoni	<u>3/26/96</u> DATE
Boeing ICWG Chairman Representative for Concurrence	/s/Howard Griffin Howard Griffin	<u>3/26/96</u> DATE
NASDA ICWG Chairman Representative for Concurrence	/s/Kuniaki Shiraki Kuniaki Shiraki	<u>3/26/96</u> DATE
ESA ICWG Chairman Representative for Concurrence	/s/Alessio Festa Alessio Festa	<u>3/26/96</u> DATE
DASA ICWG Chairman Representative for Concurrence	/s/Hans-Jorg Pospieszczyk Hans-Jorg Pospieszczyk	<u>3/26/96</u> DATE
Alenia ICWG Chairman Representative for Concurrence	/s/Alessandro Bellomo Alessandro Bellomo	<u>3/26/96</u> DATE

(S) Document has been signed by representative

Node 2 Project Concurrence

**INTERNATIONAL SPACE STATION PROGRAM RACK TO MINI PRESSURIZED LOGISTICS
MODULE**

INTERFACE CONTROL DOCUMENT, PART 1

May 18, 2001

Alenia

/s/ Walter Cugno

Walter Cugno

11/21/97

Date

ASI

/s/ Andrea Lorenzoni

Andrea Lorenzoni

1/7/98

Date

NASA-MSFC

/s/ Robert Crumbley

Robert Crumbley

11/21/97

Date

**PRODUCT GROUP
CONCURRENCE**

**INTERNATIONAL SPACE STATION PROGRAM
RACK TO MINI PRESSURIZED LOGISTICS MODULE
INTERFACE CONTROL DOCUMENT, PART 1**

May 18, 2001

Product Group – 1 ICWG Representative for Concurrence	<u>N/A</u>	<u>DATE</u>
Product Group – 2 ICWG Representative for Concurrence	<u>N/A</u>	<u>DATE</u>
Product Group – 3 ICWG Representative for Concurrence	<u>/s/Ralph Thompson</u>	<u>3/26/96</u> DATE

(S) Document has been signed by representative

**INTERNATIONAL SPACE STATION PROGRAM
RACK TO MINI PRESSURIZED LOGISTICS MODULE
INTERFACE CONTROL DOCUMENT, PART 1**

MAY 18, 2001

CONCURRENCE

PREPARED BY:	<u>Victoria C. Rodriguez</u>	<u>OM5</u>
	PRINT NAME	ORGN
	<u>/s/Victoria C. Rodriguez</u>	<u>8/31/01</u>
	SIGNATURE	DATE
CHECKED BY (BOEING):	<u>Warren England</u>	<u>BOEING</u>
	SIGNATURE	DATE
	<u>/s/Warren England</u>	<u>8/31/01</u>
	SIGNATURE	DATE
APPROVED BY (NASA):	<u>Michael Engle</u>	<u>OM/NASA</u>
	PRINT NAME	ORGN
	<u>/s/Michael Engle</u>	<u>8/31/01</u>
	SIGNATURE	DATE
DQA:	<u>Freddie Garrison Young</u>	<u>OM5</u>
	PRINT NAME	ORGN
	<u>/s/Freddie Garrison Young</u>	<u>8/31/01</u>
	SIGNATURE	DATE

TABLE OF CONTENTS

PARAGRAPH	PAGE
1.0 INTRODUCTION	1 - 1
1.1 PURPOSE AND SCOPE	1 - 1
1.2 PRECEDENCE	1 - 1
1.3 RESPONSIBILITY AND CHANGE AUTHORITY	1 - 1
2.0 APPLICABLE DOCUMENTS	2 - 1
2.1 REFERENCE DOCUMENTS	2 - 1
3.0 INTERFACES	3 - 1
3.1 GENERAL	3 - 1
3.1.1 INTERFACE DESCRIPTION	3 - 1
3.1.1.1 ISPR DESCRIPTION	3 - 1
3.1.1.2 MODULE DESCRIPTION	3 - 1
3.1.1.3 ISPR INTERFACE FUNCTIONS	3 - 1
3.1.1.4 MODULE INTERFACE FUNCTIONS	3 - 1
3.1.2 INTERFACE RESPONSIBILITIES	3 - 1
3.1.2.1 RESPONSIBILITY FOR ISPR	3 - 1
3.1.2.2 RESPONSIBILITY FOR MODULE	3 - 1
3.1.3 ENGINEERING UNITS, TOLERANCES, AND CONVERSIONS	3 - 2
3.1.3.1 ENGINEERING UNITS	3 - 2
3.1.3.2 TOLERANCES AND CONVERSIONS	3 - 2
3.2 INTERFACE REQUIREMENTS	3 - 2
3.2.1 ISPR INTERFACE REQUIREMENTS	3 - 2
3.2.1.1 ENVELOPE REQUIREMENTS	3 - 2
3.2.1.1.1 DYNAMIC ENVELOPE	3 - 2
3.2.1.1.2 RACK STATIC ENVELOPE	3 - 11
3.2.1.2 MASS PROPERTIES	3 - 11
3.2.1.2.1 LAUNCH/LANDING/GROUND HANDLING MASS	3 - 11
3.2.1.2.2 ON ORBIT MASS	3 - 11
3.2.1.3 STRUCTURAL/MECHANICAL	3 - 11
3.2.1.3.1 LAUNCH/LANDING/ON-ORBIT ATTACHMENT	3 - 11
3.2.1.3.2 GROUND HANDLING ATTACHMENT	3 - 11
3.2.1.3.3 ISPR MINIMUM RESONANT FREQUENCY	3 - 11
3.2.1.3.4 BONDING	3 - 12
3.2.1.4 INDUCED ENVIRONMENTS	3 - 12
3.2.1.4.1 VIBRATION	3 - 12
3.2.1.4.1.1 LAUNCH ACOUSTICS	3 - 12
3.2.1.4.1.2 RANDOM VIBRATION	3 - 35
3.2.1.4.2 ACCELERATION	3 - 35

TABLE OF CONTENTS (Continued)

PARAGRAPH	PAGE
3.2.1.4.3	INTERFACE LOADS 3 - 37
3.2.1.4.4	RACK DIFFERENTIAL PRESSURE 3 - 40
3.2.2	MPLM INTERFACE REQUIREMENTS 3 - 40
3.2.2.1	ENVELOPE REQUIREMENTS 3 - 40
3.2.2.1.1	DYNAMIC ENVELOPE 3 - 41
3.2.2.1.2	MPLM ACCOMMODATION OF RACK 3 - 41
3.2.2.2	MASS PROPERTIES 3 - 41
3.2.2.3	STRUCTURAL/MECHANICAL 3 - 41
3.2.2.3.1	LAUNCH/LANDING/ON-ORBIT ATTACHMENT 3 - 41
3.2.2.3.1.1	ON-ORBIT MODULAR ATTACHMENT 3 - 41
3.2.2.3.1.2	RACK TO MODULE INTERFACE 3 - 42
3.2.2.3.2	GROUND HANDLING ATTACHMENT 3 - 42
3.2.2.3.3	MINIMUM RESONANT FREQUENCY 3 - 42
3.2.2.3.4	DELETED 3 - 42
3.2.2.3.5	BONDING (MPLM ONLY) 3 - 42
3.2.2.3.6	ARIS RACK COMPATIBILITY 3 - 42
3.2.2.4	INDUCED ENVIRONMENTS 3 - 42
3.2.2.4.1	VIBRATION 3 - 42
3.2.2.4.1.1	LAUNCH ACOUSTICS 3 - 42
3.2.2.4.1.2	RANDOM VIBRATION 3 - 42
3.2.2.4.2	ACCELERATION 3 - 42
3.2.2.4.3	INTERFACE LOADS 3 - 43
4.0	INTERFACE VERIFICATION 4 - 1
APPENDIX	PAGE
A	ABBREVIATIONS AND ACRONYMS A - 1
B	INDEX OF TBDS AND TBCS B - 1

TABLE OF CONTENTS (Continued)

TABLES

3.2.1.4.1.1-1	MPLM ACOUSTIC NOISE SPECTRA	3 - 12
3.2.1.4.1.2-1	MPLM RANDOM VIBRATION ENVIRONMENT	3 - 35
3.2.1.4.2-1	NASDA RACK ACCELERATION (MAXIMUM PREDICTED LEVEL)	3 - 36
3.2.1.4.2-2	NASDA PAYLOAD RACK ACCELERATIONS (MAXIMUM PREDICTED LEVEL)	3 - 36
3.2.1.4.2-3	NASDA SYSTEM RACK ACCELERATIONS (MAXIMUM PREDICTED LEVEL)	3 - 36
3.2.1.4.3-1	MINI PRESSURIZED LOGISTICS MODULE AND MECHANICAL GROUND SUPPORT EQUIPMENT LOCAL RACK ATTACH POINT DESIGN LIMIT LOADS (LAUNCH, LANDING, ON-ORBIT AND GROUND HANDLING) (PAGE 1 OF 2)	3 - 38
3.2.1.4.3-1	MINI PRESSURIZED LOGISTICS MODULE AND MECHANICAL GROUND SUPPORT EQUIPMENT LOCAL RACK ATTACH POINT DESIGN LIMIT LOADS (LAUNCH, LANDING, ON-ORBIT AND GROUND HANDLING) (PAGE 2 OF 2)	3 - 39
3.2.1.4.3-2	MPLM RACK INTERFACE LOADS ON NASA RACKS DUE TO DIFFERENTIAL PRESSURE (APPLICABLE FOR LANDING ONLY)	3 - 40
3.2.1.4.3-3	MPLM RACK INTERFACE LOADS ON NASDA RACKS DUE TO DIFFERENTIAL PRESSURE (APPLICABLE FOR LANDING ONLY)	3 - 40
4.0-1	INTERFACE VERIFICATION	4 - 2

TABLE OF CONTENTS (Continued)

FIGURES

3.2.1.1.1-1	RACK DYNAMIC ENVELOPE (SIDE VIEW)	3 - 3
3.2.1.1.1-2	RACK DYNAMIC ENVELOPE (FRONT VIEW)	3 - 4
3.2.1.1.1-3	RACK ATTACH POINT DESCRIPTIONS	3 - 5
3.2.1.1.1-4	RACK DYNAMIC ENVELOPE (DETAIL AT ATTACH POINTS A AND B) APPLICABLE ONLY TO RACKS LAUNCHED IN THE US LAB	3 - 6
3.2.1.1.1-5	RACK DYNAMIC ENVELOPE (BACK VIEW DETAIL) APPLICABLE ONLY TO RACKS LAUNCHED IN U.S. LAB	3 - 7
3.2.1.1.1-6	ARIS RACK LAUNCH/LANDING DYNAMIC ENVELOPE (SIDE VIEW)	3 - 8
3.2.1.1.1-7	ARIS RACK LAUNCH/LANDING DYNAMIC ENVELOPE (BACK VIEW)	3 - 9
3.2.1.1.1-8	ARIS RACK LAUNCH/LANDING DYNAMIC ENVELOPE (BOTTOM VIEW)	3 - 10
3.2.1.1.2-1	RACK STATIC ENVELOPE (SIDE VIEW)	3 - 13
3.2.1.1.2-2	RACK STATIC ENVELOPE (FRONT VIEW)	3 - 14
3.2.1.1.2-2	RACK STATIC ENVELOPE (FRONT VIEW) (PAGE 2 OF 2) APPLICABLE ONLY TO RACKS FLOWN IN US LAB	3 - 15
3.2.1.1.2-3	RACK STATIC ENVELOPE (TOP VIEW)	3 - 16
3.2.1.1.2-4	RACK STATIC ENVELOPE (DETAIL AT ATTACH POINTS A AND B) APPLICABLE ONLY TO RACKS FLOWN IN US LAB	3 - 17
3.2.1.1.2-5	RACK STATIC ENVELOPE (SIDE VIEW DETAIL) APPLICABLE TO RACKS FLOWN IN US LAB ONLY	3 - 18
3.2.1.1.2-6	RACK STATIC ENVELOPE (SIDE VIEW DETAIL) APPLICABLE TO RACKS FLOWN IN ALL MODULES EXCEPT US LAB	3 - 19
3.2.1.1.2-7	ARIS RACK LAUNCH/LANDING STATIC ENVELOPE (SIDE VIEW) (PAGE 1 OF 2)	3 - 20
3.2.1.1.2-7	ARIS RACK LAUNCH/LANDING STATIC ENVELOPE (SIDE VIEW) (PAGE 2 OF 2)	3 - 21
3.2.1.1.2-8	ARIS RACK LAUNCH/LANDING STATIC ENVELOPE (BACK VIEW)	3 - 22
3.2.1.1.2-9	ARIS LAUNCH/LANDING RACK STATIC ENVELOPE DETAIL (BOTTOM VIEW) PAGE 1 OF 2	3 - 23
3.2.1.1.2-9	ARIS RACK LAUNCH/LANDING STATIC ENVELOPE DETAIL PAGE 2 OF 2	3 - 24
3.2.1.1.2-10	ARIS RACK STATIC ENVELOPE KNEE BRACE INTRUSION DETAILS (TOP VIEW) (NASA-ASI ONLY)	3 - 25
3.2.1.1.2-11	RACK STATIC ENVELOPE (APPLICABLE ONLY TO RACKS IN JEM -PM) (SIDE VIEW) (PAGE 1 OF 5)	3 - 26
3.2.1.1.2-11	RACK STATIC ENVELOPE (APPLICABLE ONLY TO RACKS IN JEM -PM) (BACK VIEW) (PAGE 2 OF 5)	3 - 27
3.2.1.1.2-11	RACK STATIC ENVELOPE (APPLICABLE ONLY TO RACKS IN JEM -PM) (DETAIL D FOR SECTION X-X) (PAGE 3 OF 5)	3 - 28
3.2.1.1.2-11	RACK STATIC ENVELOPE (APPLICABLE ONLY TO RACKS IN JEM -PM) (DETAIL D FOR SECTION Y-Y) (PAGE 4 OF 5)	3 - 29
3.2.1.1.2-11	RACK STATIC ENVELOPE (APPLICABLE ONLY TO RACKS IN JEM -PM) (DETAIL E) (PAGE 5 OF 5)	3 - 30
3.2.1.1.2-12	RACK STATIC ENVELOPE APPLICABLE ONLY TO RACKS IN ELM-PS (SIDE VIEW) (PAGE 1 OF 4)	3 - 31
3.2.1.1.2-12	RACK STATIC ENVELOPE APPLICABLE ONLY TO RACKS IN ELM-PS (BACK VIEW) (PAGE 2 OF 4)	3 - 32
3.2.1.1.2-12	RACK STATIC ENVELOPE APPLICABLE ONLY TO RACKS IN ELM-PS (DETAIL F FOR SECTION X-X) (PAGE 3 OF 4)	3 - 33
3.2.1.1.2-12	RACK STATIC ENVELOPE APPLICABLE ONLY TO RACKS IN ELM-PS (DETAIL F FOR SECTION Y-Y) (PAGE 4 OF 4)	3 - 34

1.0 INTRODUCTION

1.1 PURPOSE AND SCOPE

The purpose of this document is to provide definition of the physical, functional, and environmental requirements between the Mini Pressurized Logistics Module (MPLM) and racks which conform to the interfaces of the International Standard Payload Rack (ISPR), and between the Ground Support Equipment (GSE) and racks which conform to the interfaces of the ISPR. The scope of this document is limited to the structural/mechanical interfaces between the MPLM and the ISPR that support the launch/landing/on-orbit event, and between the GSE and the ISPR that support the ground handling event.

1.2 PRECEDENCE

In the event of conflict between SSP 41000, Space Station System Specification, and the contents of this ICD, only the requirements of SSP 41000 applicable to each International Partner and to the National Aeronautics and Space Administration (NASA) shall take precedence.

1.3 RESPONSIBILITY AND CHANGE AUTHORITY

This document is prepared and maintained in accordance with SSP 30459, International Space Station Interface Control Plan. The Prime Contractor shall delegate the responsibility for preparation and maintenance of this ICD.

2.0 APPLICABLE DOCUMENTS

The following documents of the exact issue form a part of this document to the extent specified herein.

SSP 30245 Rev. B, 3 Jun, 1994 Reference	Space Station Electrical Bonding Requirements Paragraph 3.2.1.3.5; 3.2.2.3.5
ASTM E380 Rev. A, 1993 Reference	Standard Practice for Use of the International System of Units (SI) (the Modernized Metric System) Paragraph 3.1.3.2
COL-RQ-ESA-014 Issue 2, Rev., B 15. Dec 95 Reference	Columbus Electromagnetic Compatibility Requirements (Applicable to APM only) Paragraph 3.2.2.3.5
SSP 30459 Rev. F, 23 March, 1994 Reference	International Space Station Interface Control Plan Paragraph 1.3

2.1 REFERENCE DOCUMENTS

The following documents are referenced in this ICD for context and user convenience:

SSP 41000 Reference	Space Station System Specification Paragraph 1.2
------------------------	---

3.0 INTERFACES

3.1 GENERAL

3.1.1 INTERFACE DESCRIPTION

3.1.1.1 ISPR DESCRIPTION

The International Standard Payload Rack (ISPR) interfaces to the Mini Pressurized Logistics Module (MPLM) and to the Ground Support Equipment (GSE) will be physically identical and functionally compatible without the use of hardware adapters. The ISPR interfaces to the MPLM consist of structural/mechanical attachment for the launch/landing/on-orbit event. The ISPR interfaces to the GSE consist of structural/mechanical attachment for the ground handling event.

3.1.1.2 MODULE DESCRIPTION

Regardless of ISPR provider and without the use of hardware adapters the MPLM will support ISPR structural/mechanical attachment for the launch/landing/on-orbit event.

3.1.1.3 ISPR INTERFACE FUNCTIONS

The ISPR will support the following function at the interface with the MPLM and the GSE:

- A. Structural/Mechanical Attachment

3.1.1.4 MODULE INTERFACE FUNCTIONS

The MPLM will support the following function at the interface to ISPRs:

- A. Launch/landing/on-orbit Structural/Mechanical Attachment

3.1.2 INTERFACE RESPONSIBILITIES

3.1.2.1 RESPONSIBILITY FOR ISPR

The ISPR designer will ensure that the ISPR conforms to the interface requirements contained within this document.

3.1.2.2 RESPONSIBILITY FOR MODULE

Agenzia Spaziale Italiana (Italian Space Agency) (ASI) will ensure that dedicated ISPR locations within the MPLM conform to the interface requirements contained within this document.

3.1.3 ENGINEERING UNITS, TOLERANCES, AND CONVERSIONS

3.1.3.1 ENGINEERING UNITS

All dimensions will be defined in the English system of units followed by the parenthetical SI metric equivalent.

3.1.3.2 TOLERANCES AND CONVERSIONS

All tolerances and conversions will be in accordance with ASTM E380, Standard Practice For Use Of The International System Of Units (SI).

3.2 INTERFACE REQUIREMENTS

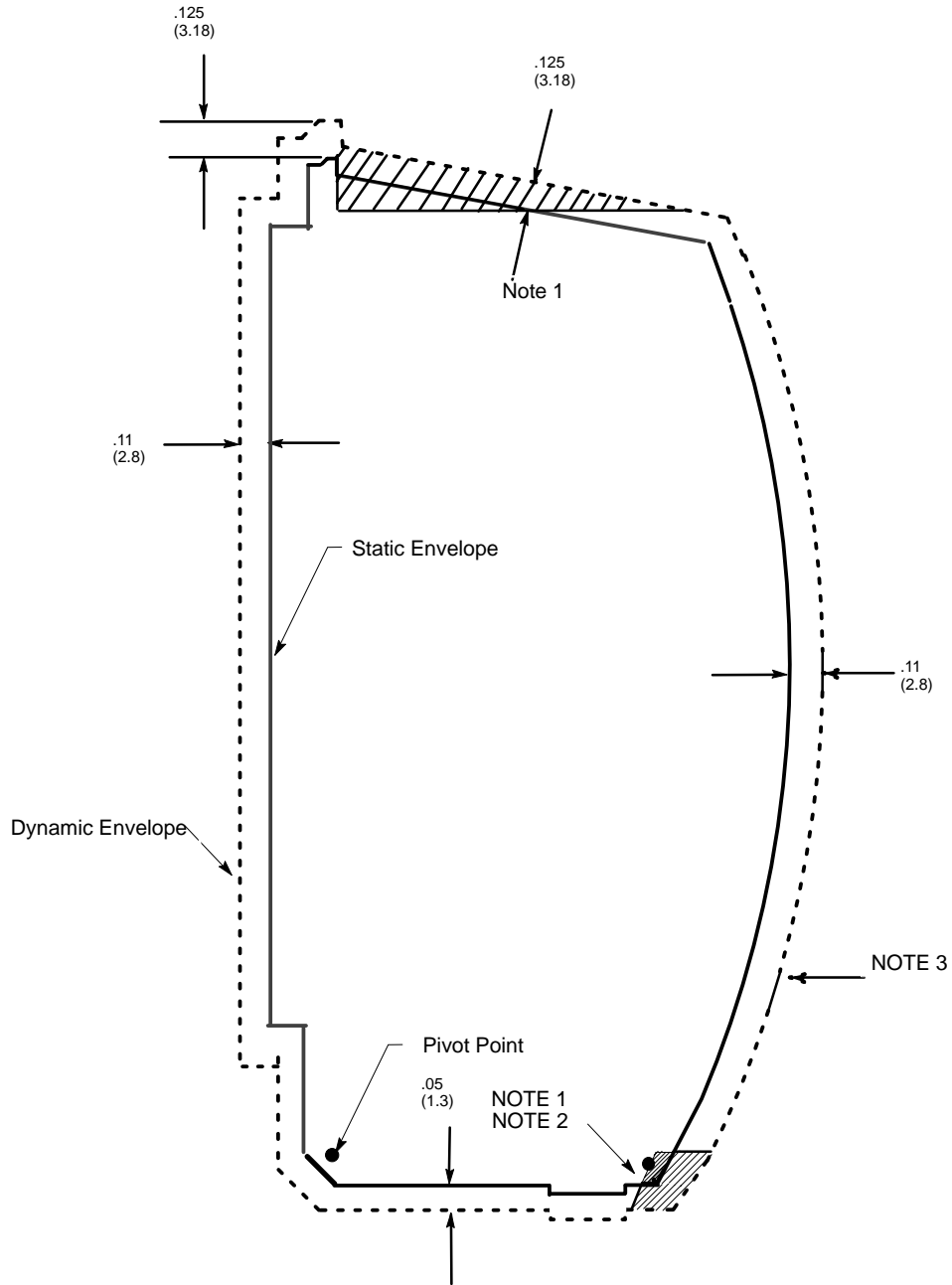
3.2.1 ISPR INTERFACE REQUIREMENTS

3.2.1.1 ENVELOPE REQUIREMENTS

3.2.1.1.1 DYNAMIC ENVELOPE

The rack shall not exceed the dynamic envelope shown in Figures 3.2.1.1.1-1 and 3.2.1.1.1-2, Rack Dynamic Envelope, when the attachment points A, B, C and D defined in Figure 3.2.1.1.1-3, Rack Attach Point Descriptions, are constrained to an infinitely stiff and massive boundary, and using the accelerations of paragraph 3.2.1.4.2.

Racks which utilize the Active Rack Isolation System (ARIS) shall not exceed the launch / landing dynamic envelope shown in Figures 3.2.1.1.1-4, 3.2.1.1.1-5, and 3.2.1.1.1-6, ARIS Rack launch / landing Dynamic Envelope, when the attachment points A, B, C and D defined in Figure 3.2.1.1.1-3, Rack Attach Point Descriptions, are constrained to an infinitely stiff and massive boundary, and using the accelerations of paragraph 3.2.1.4.2.



- Note 1: MPLM intrusion of this area can be calculated from the static envelope defined in Figure 3.2.1.1.2-1
- Note 2: Detail dimensions of shaded area per section views as indicated on Figure 3.2.1.1.1-2 for racks in US Lab
- Note 3: Racks may protrude into the dynamic envelope of US Lab on orbit

FIGURE 3.2.1.1.1-1 RACK DYNAMIC ENVELOPE (SIDE VIEW)

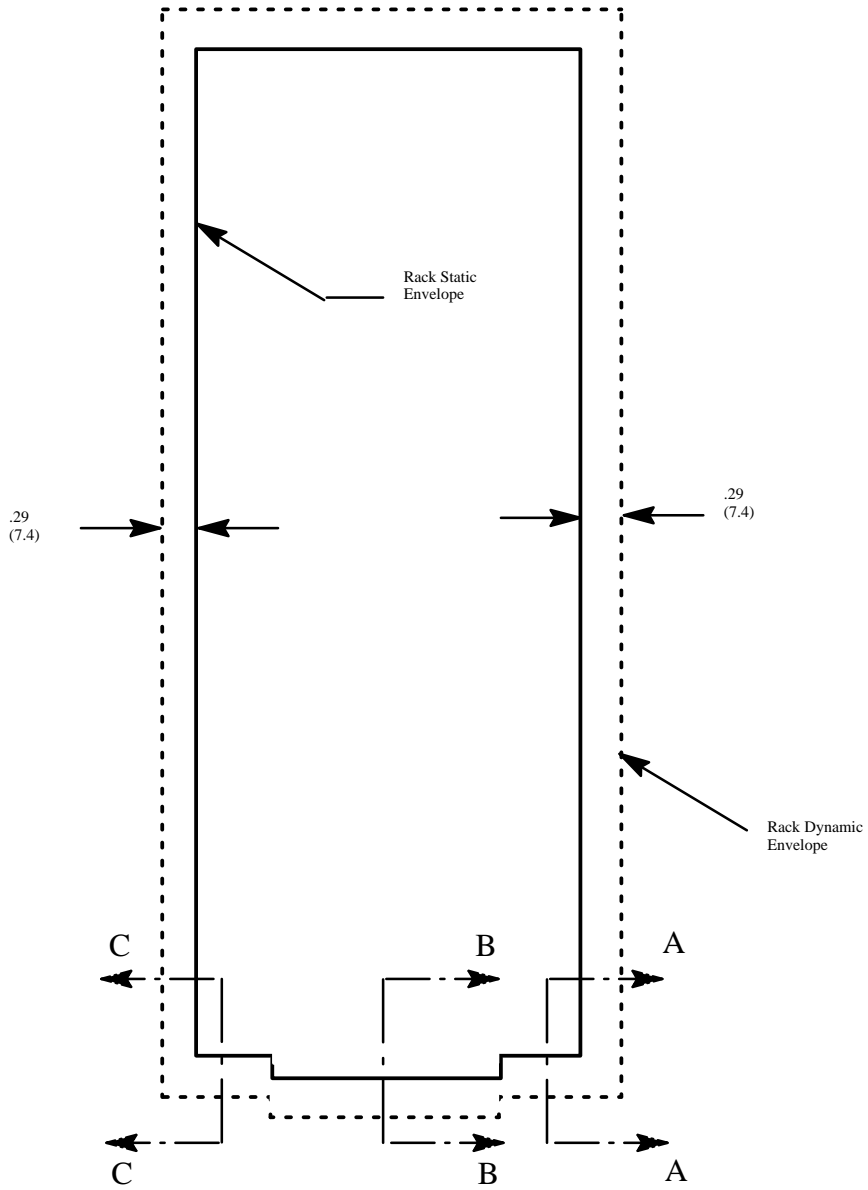
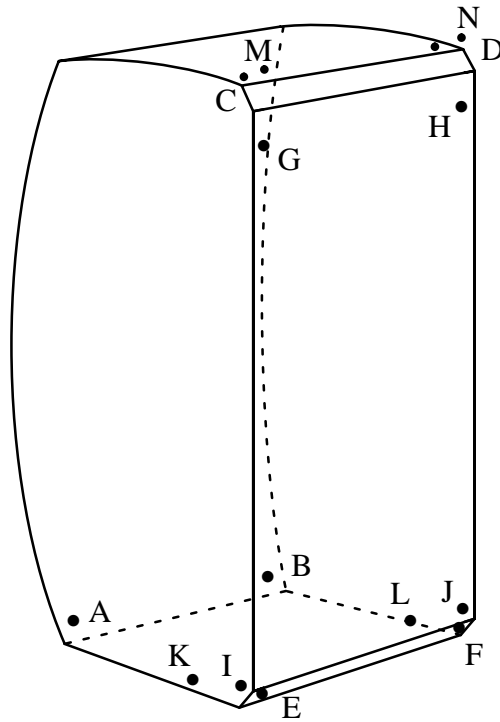
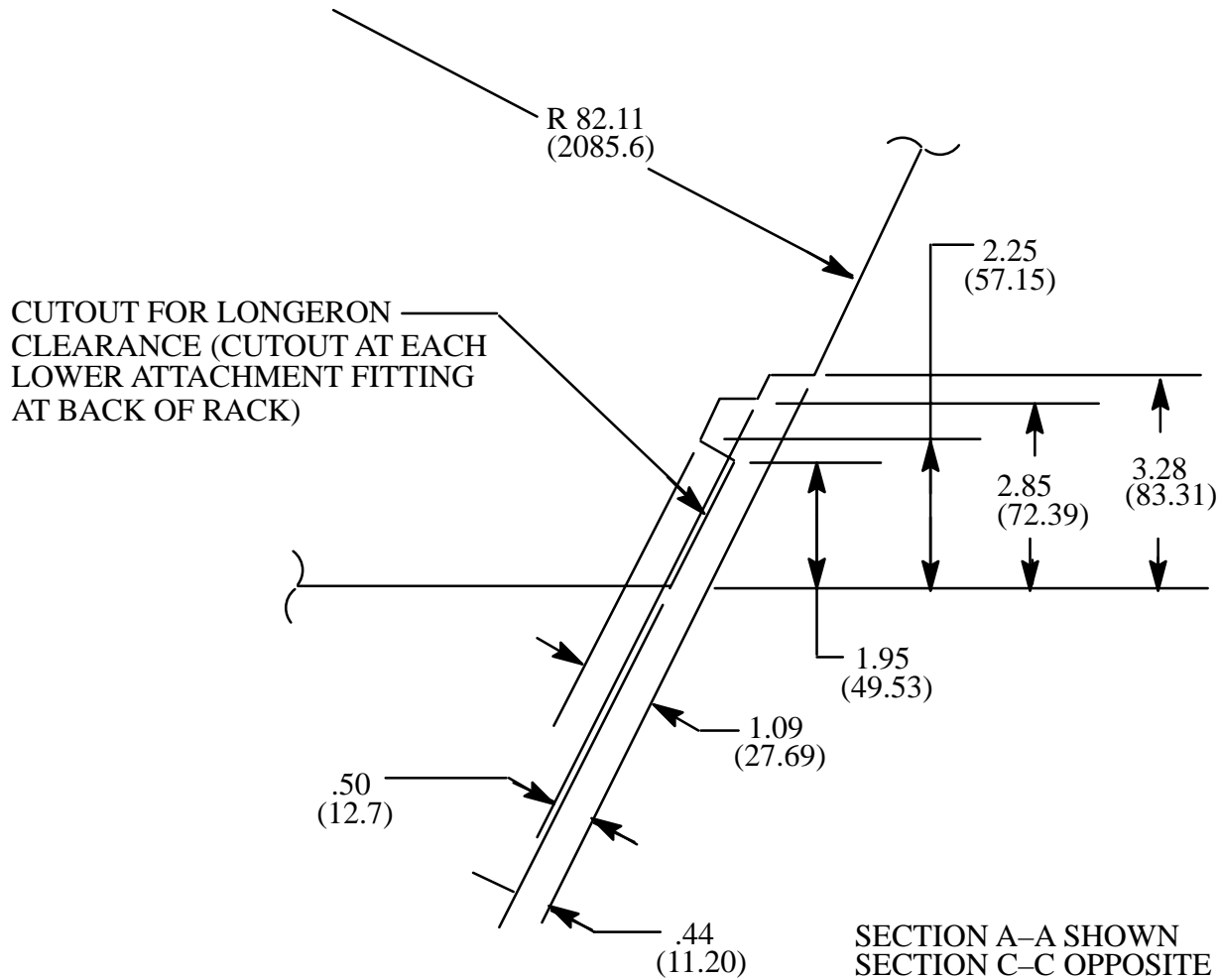


FIGURE 3.2.1.1.1-2 RACK DYNAMIC ENVELOPE (FRONT VIEW)



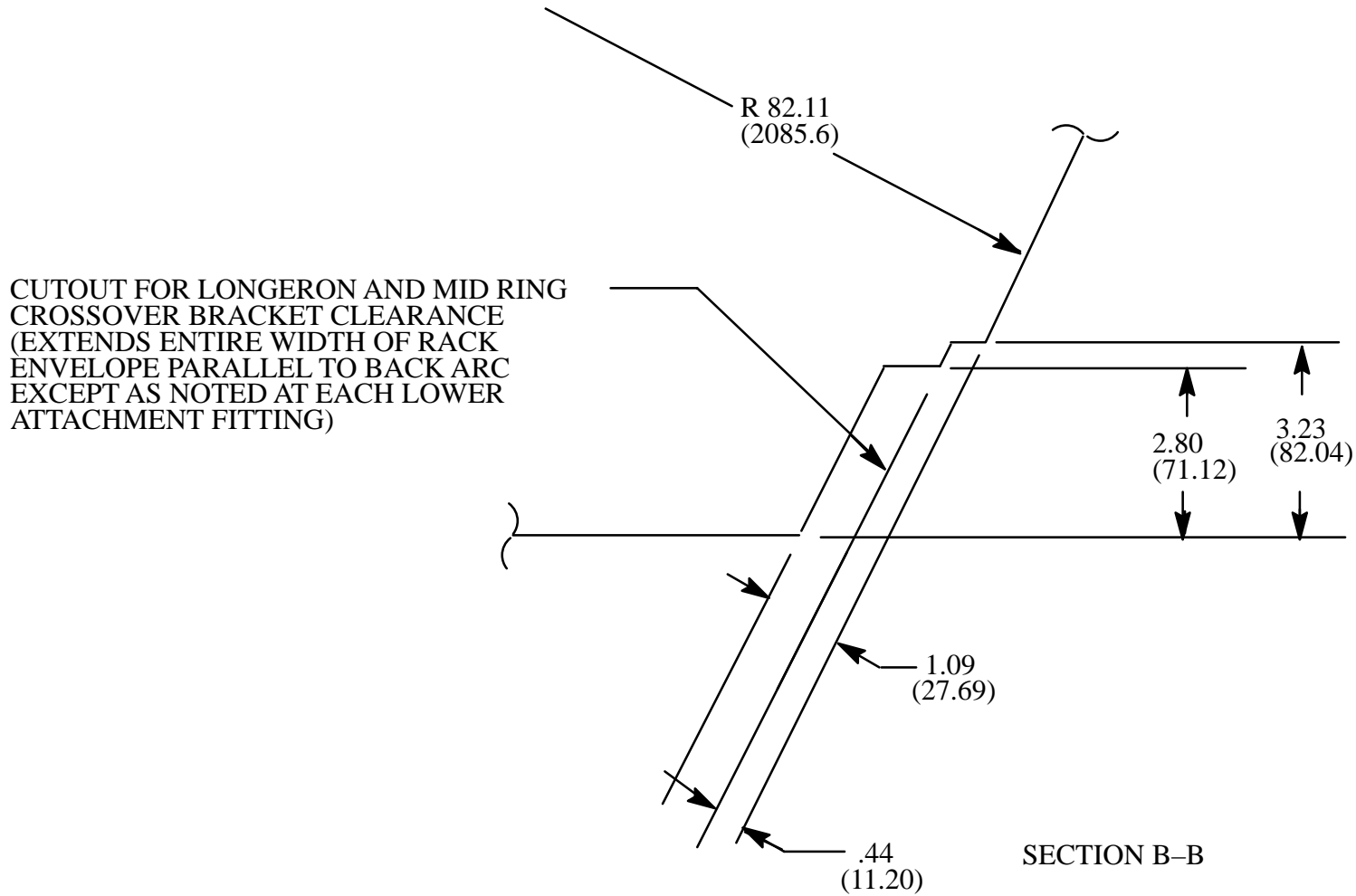
<u>POINT</u>	<u>NAME</u>	<u>PHASE</u>
A	Rack Lower Rear Attachment	Launch/Landing
B	Rack Lower Rear Attachment	Launch/Landing
C	Rack Upper Attachment	Launch/Landing/On-orbit
D	Rack Upper Attachment	Launch/Landing/On-orbit
E	Rack Lower GSE Attachment	Ground Handling
F	Rack Lower GSE Attachment	Ground Handling
G	Rack Upper GSE Attachment	Ground Handling
H	Rack Upper GSE Attachment	Ground Handling
I	Rack Pivot Attachment	On-orbit
J	Rack Pivot Attachment	On-orbit
K	Rack Bonding Interface (SSP 41002, Fig. 3.3.1.2.3-3)	Launch/Landing/On-orbit
L	Rack Bonding Interface (SSP 41002, Fig. 3.3.1.2.3-3)	Launch/Landing/On-orbit
M	Rack Upper KBAR Attachment	On-orbit (N/A to MPLM)
N	Rack Upper KBAR Attachment	On-orbit (N/A to MPLM)

FIGURE 3.2.1.1.1-3 RACK ATTACH POINT DESCRIPTIONS



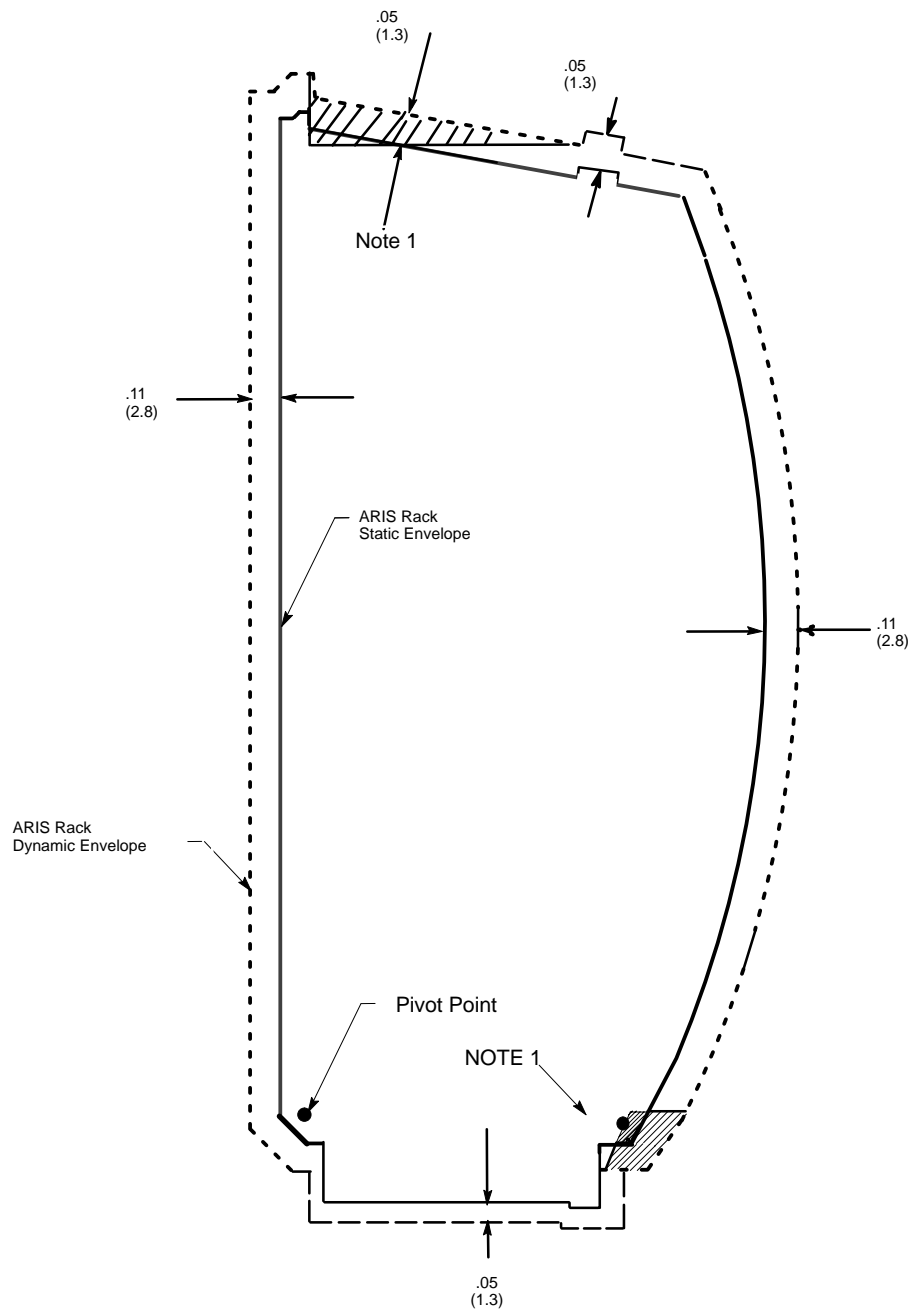
Note: Racks may protrude into the dynamic envelope of US Lab on orbit

FIGURE 3.2.1.1-1-4 RACK DYNAMIC ENVELOPE (Detail at Attach Points A and B).
APPLICABLE ONLY TO RACKS LAUNCHED IN THE US LAB



Note: Racks may protrude into the dynamic envelope of US Lab on orbit

FIGURE 3.2.1.1.1-5 RACK DYNAMIC ENVELOPE (BACK VIEW DETAIL)
APPLICABLE ONLY TO RACKS LAUNCHED IN U.S. LAB



Note 1: MPLM intrusion of this area can be calculated from the static envelope defined in Figure 3.2.1.1.2-1

FIGURE 3.2.1.1.1-6 ARIS RACK LAUNCH/LANDING DYNAMIC ENVELOPE (SIDE VIEW)

ARIS

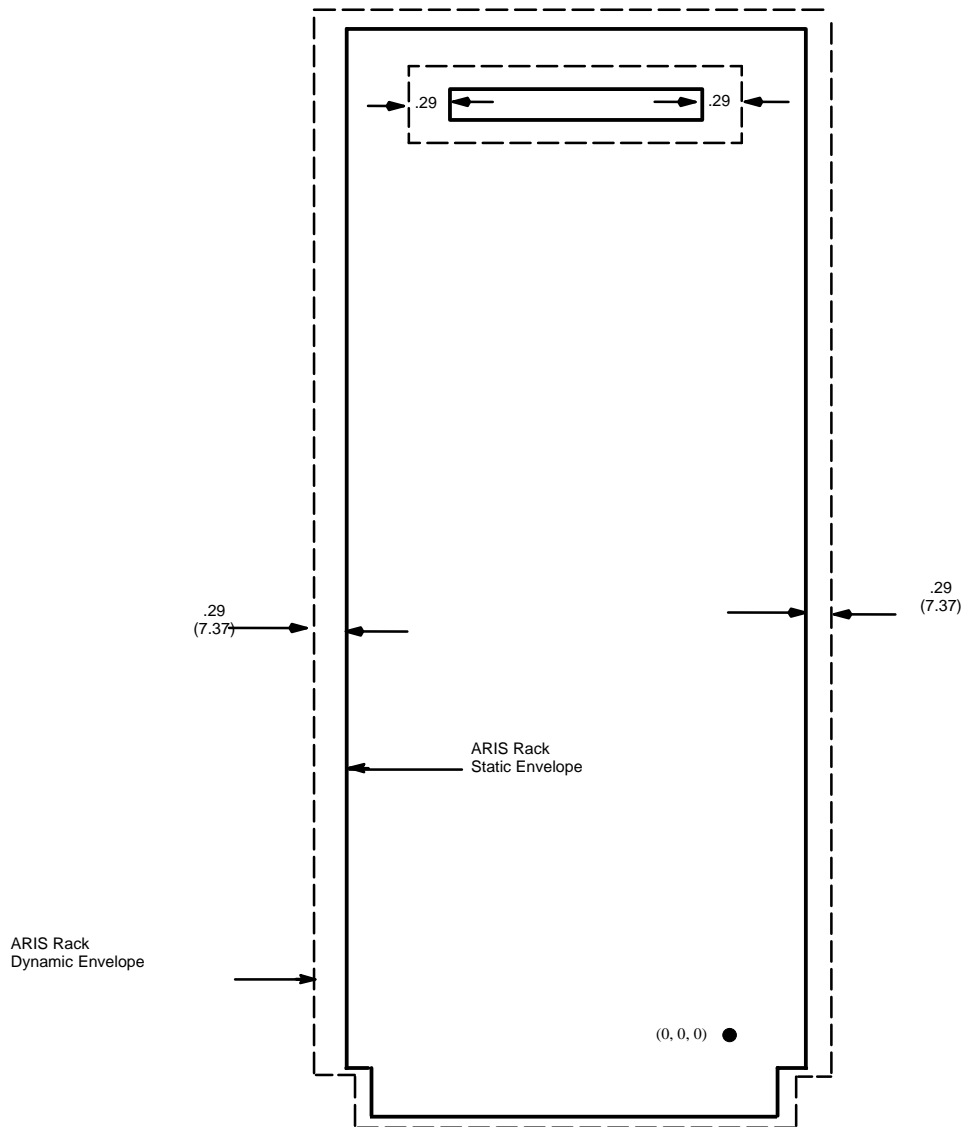
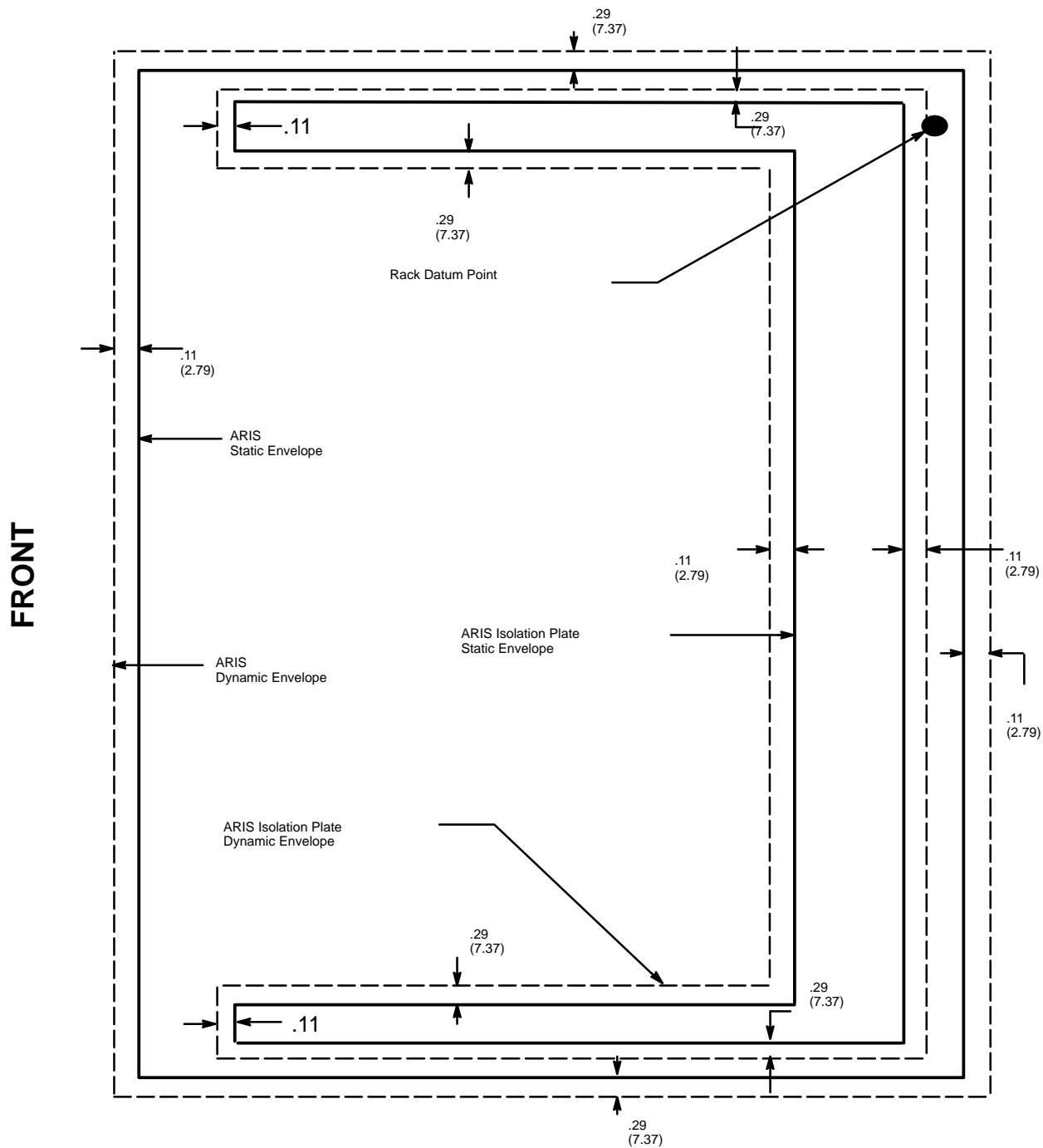


FIGURE 3.2.1.1.1-7 ARIS RACK LAUNCH/LANDING DYNAMIC ENVELOPE (BACK VIEW)



**FIGURE 3.2.1.1.1-8 ARIS RACK LAUNCH/LANDING DYNAMIC ENVELOPE
(BOTTOM VIEW)**

3.2.1.1.2 RACK STATIC ENVELOPE

The rack shall not exceed the static envelope as shown in Figures 3.2.1.1.2–1 Rack Static Envelope (Side View), 3.2.1.1.2–2, Rack Static Envelope (Front View), and 3.2.1.1.2–3 Rack Static Envelope (Top View).

Racks which utilize the ARIS shall not exceed the launch configuration static envelope as shown in Figures 3.2.1.1.2–7, 3.2.1.1.2–8, ARIS Rack Static Envelope, and 3.2.1.1.2–9, ARIS Rack Launch/Landing Static Envelope Detail.

Racks in the JEM–PM location A5, F5, F6 shall not exceed the static envelope as shown in Figure 3.2.1.1.2–11 Rack Static Envelope (Applicable only to racks in JEM–PM). Racks in all locations of ELM–PS shall not exceed the static envelope as shown in Figure 3.2.1.1.2–12 Rack Static Envelope (Applicable only to racks in ELM–PS).

3.2.1.2 MASS PROPERTIES

3.2.1.2.1 LAUNCH/LANDING/GROUND HANDLING MASS

The mass of an integrated ISPR for launch/landing/ground handling shall be less than or equal to 1773 lbs (804.2 Kg).

3.2.1.2.2 ON ORBIT MASS

The mass of an integrated ISPR on orbit shall be less than or equal to 2200 lbs (997.9 Kg).

Note: All Modules will support the maximum integrated ISPR on orbit mass up to 1773 lbs (804.2 Kg) without operational restrictions, see paragraph 3.2.2.2.

3.2.1.3 STRUCTURAL/MECHANICAL

3.2.1.3.1 LAUNCH/LANDING/ON–ORBIT ATTACHMENT

ISPRs shall incorporate structural/mechanical provisions for attachment to the MPLM during the launch/landing/on–orbit event.

3.2.1.3.2 GROUND HANDLING ATTACHMENT

ISPRs shall incorporate structural/mechanical provisions for attachment to GSE during the ground handling event.

3.2.1.3.3 ISPR MINIMUM RESONANT FREQUENCY

ISPRs shall have a minimum natural frequency greater than 28 Hz when constrained without knee braces to infinitely heavy and stiff boundaries or greater than 25 Hz when constrained including the knee braces to infinitely heavy and stiff boundaries.

3.2.1.3.4 BONDING

Active ISPR's shall incorporate structural/mechanical provisions for class R bonding to the MPLM in accordance with SSP 30245, Space Station Electrical Bonding Requirements.

3.2.1.4 INDUCED ENVIRONMENTS

ISPR interfaces to the MPLM shall be capable of operation during and after exposure to any feasible combination of the following environments.

3.2.1.4.1 VIBRATION

3.2.1.4.1.1 LAUNCH ACOUSTICS

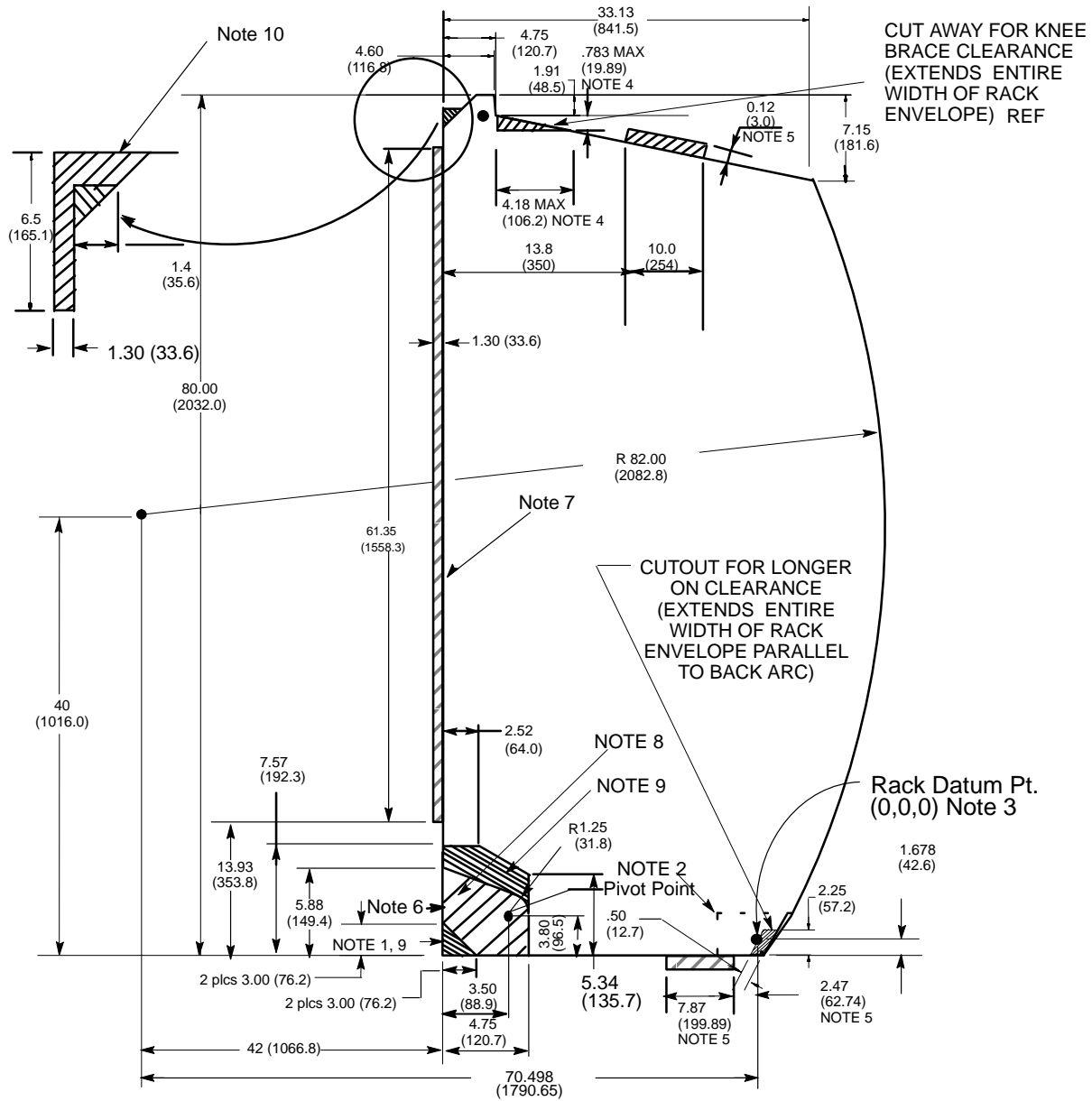
Racks launched in the MPLM shall be capable of operation after exposure to the launch minimum acoustic environment defined in Table 3.2.1.4.1.1-1, MPLM Internal Acoustic Noise Spectra.

TABLE 3.2.1.4.1.1-1 MPLM ACOUSTIC NOISE SPECTRA

1/3 Octave Band Center Frequency (Hz)	Sound Pressure Level (dB) ref. 2×10^{-5} N/m ²	
	Liftoff (1)	Aeronoise (2)
31.5	111.5	96.0
40.0	93.5	99.5
50.0	98.0	102.0
63.0	102.5	105.0
80.0	114.0	108.0
100.0	124.0	110.0
125.0	122.0	112.0
160.0	121.0	113.5
200.0	124.5	115.0
250.0	123.0	116.0
315.0	121.5	116.5
400.0	121.5	114.5
500.0	117.0	111.0
630.0	115.5	107.5
800.0	114.5	104.5
1000.0	113.0	101.5
1250.0	109.0	97.5
1600.0	108.5	94.0
2000.0	106.0	90.0
2500.0	102.0	86.5
Overall	131.5	123.5

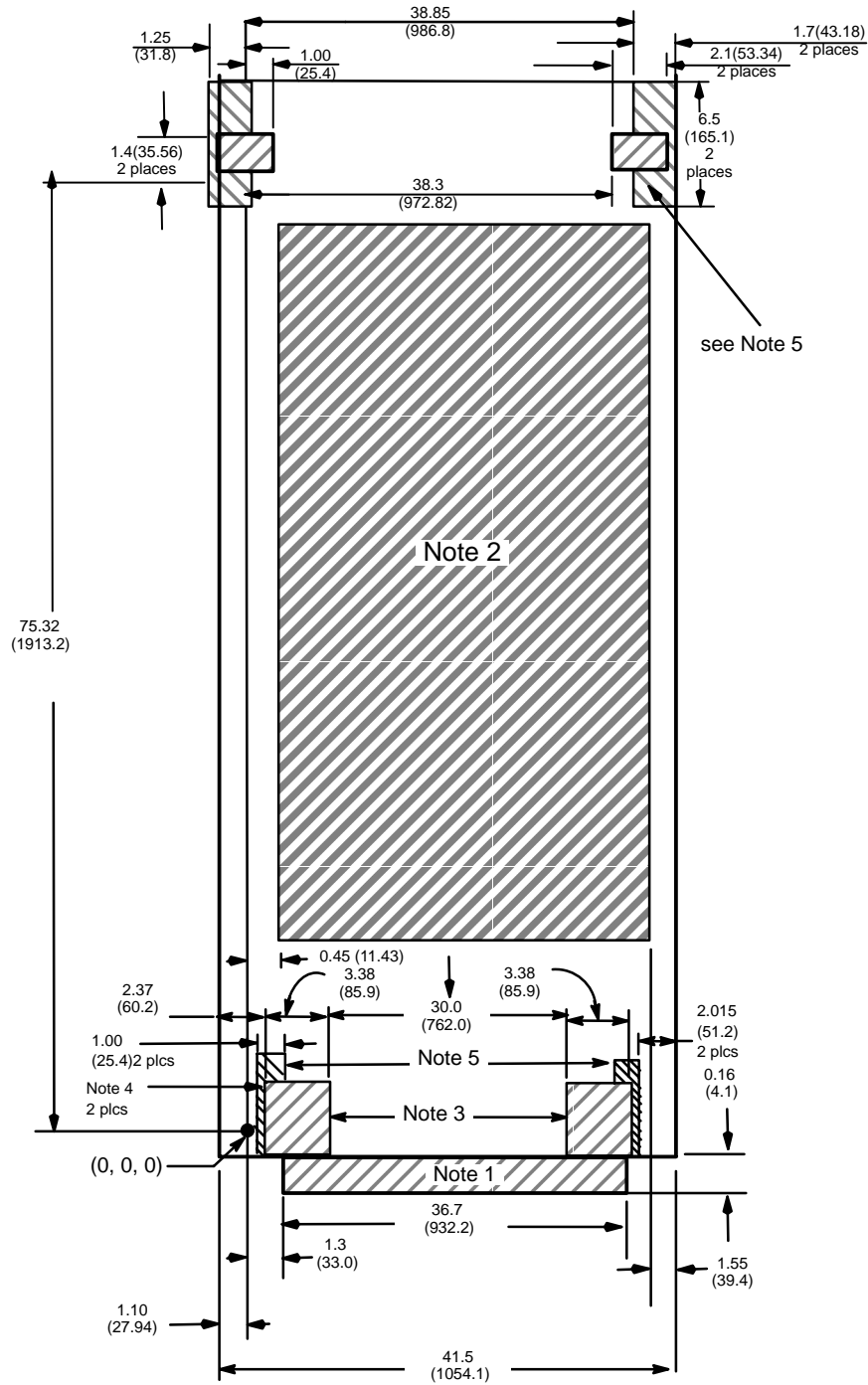
Notes:

- 1) 5 seconds per mission (time per flight does not include a scatter factor)
- 2) 10 seconds per mission (time per flight does not include a scatter factor)



- Note 1: The GSE attach boss may penetrate the 3.0" x 3.0" (76 x 76) chamfer at bottom of rack provided that the boss rotates within the pivot envelope.
- Note 2: The longeron fitting intrusion of the on-orbit envelope can be derived from the module intrusion of the dynamic envelope defined in Figure 3.2.1.1.1-1.
- Note 3: Origin (0,0,0) = Rack Datum Point. See Figure 3.1.3-1 SSP 41017 Part 2 for Reference System definition
- Note 4: Kneebraces may intrude into this area for Racks with attach points C&D below the maximum value in Figure 3.3.2-3 SSP 41017 Part 2.
- Note 5: NASDA Rack only, Volume occupied by seat tracks.
- Note 6: GSE boss can extend beyond the static envelope by .032" in the -Y direction
- Note 7: Payload SIR Drawer Handles may extend beyond the static envelope into the shaded area. Other permanent payload protrusions into the shaded area must be reviewed by the Operations Community and approved as exceedences to SSP 57000 by the Payload Control Board and documented in the Payload Unique Hardware ICDs. (Not applicable for racks in the JEM Logistics Module). Rack installation with this protrusion is only allowed with NASA GSE through the MPLM aft end cone.
- Note 8: Equipment within the shaded area shall be designated removable or relocatable during rack installation/removal. Capture latch knob may protrude into this area. GSE will maintain clearance with stayout zone boundary.
- Note 9: Equipment within the shaded area shall be designated removable or relocatable during on-orbit operations. Pivot may protrude into this area. This stay out zone only applies to Boeing rack structures (TBD for NASDA racks).
- Note 10: Stay out zone for KBAR for on orbit only excluding KBAR pin.

FIGURE 3.2.1.1.2-1 RACK STATIC ENVELOPE (SIDE VIEW)



Origin (0,0,0) = Rack Datum Point, see Figure 3.3.3-1 for Reference System definition

Note 1: NASDA Rack only volume occupied by seat tracks.

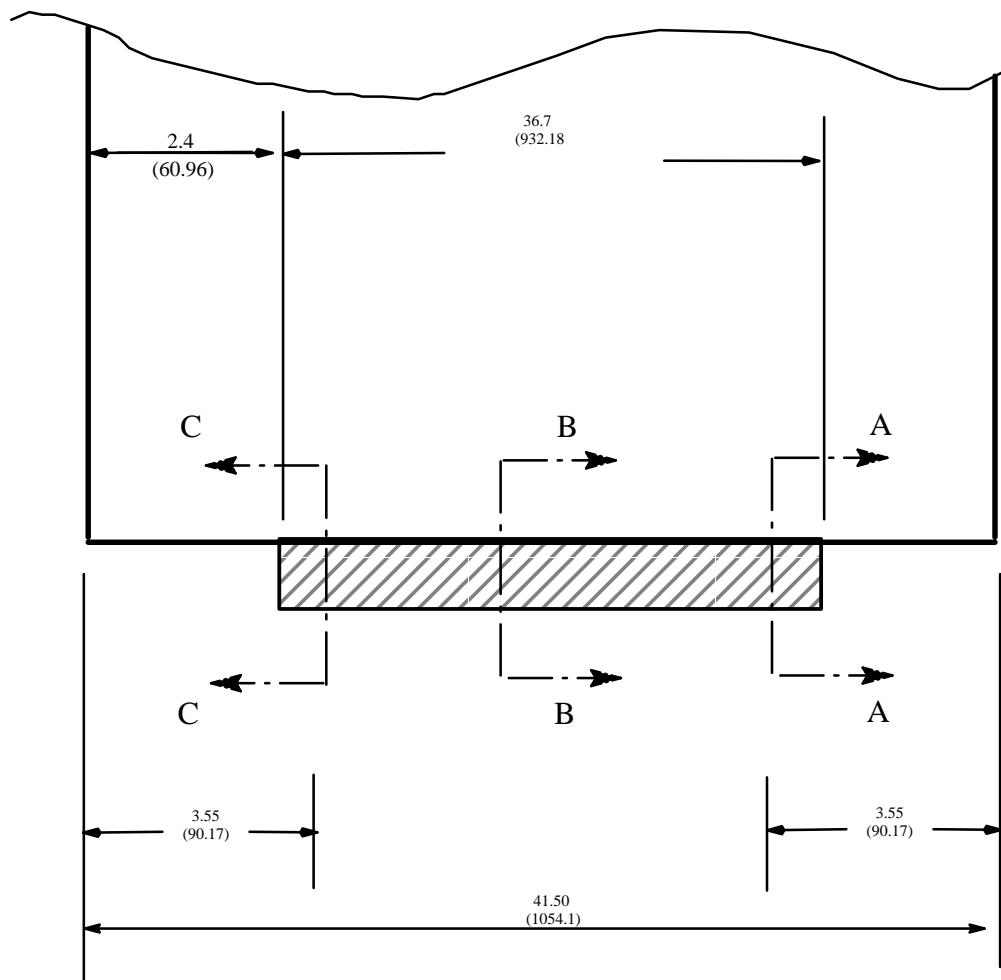
Note 2: Payload SIR Drawer Handles may extend beyond the static envelope into the shaded area. Other permanent payload protrusions into the shaded area must be reviewed by the Operations Community and approved as exceedances to SSP 57000 by the Payload Control Board and documented in the Payload Unique Hardware ICDs. (Not applicable for racks in the JEM Logistics Module) Rack installation with this protrusion is only allowed with NASA GSE through the MPLM aft end cone.

Note 3: Equipment within the shaded area shall be designated removable or relocatable during rack installation/removal. Capture latch knob may protrude into this area. GSE will maintain clearance with stayout zone boundary.

Note 4: Equipment within the shaded area shall be designated removable or relocatable during on-orbit operations. Pivot may protrude into this area.

Note 5: This stay out zone only applies to Boeing rack structures (TBD for NASDA racks).

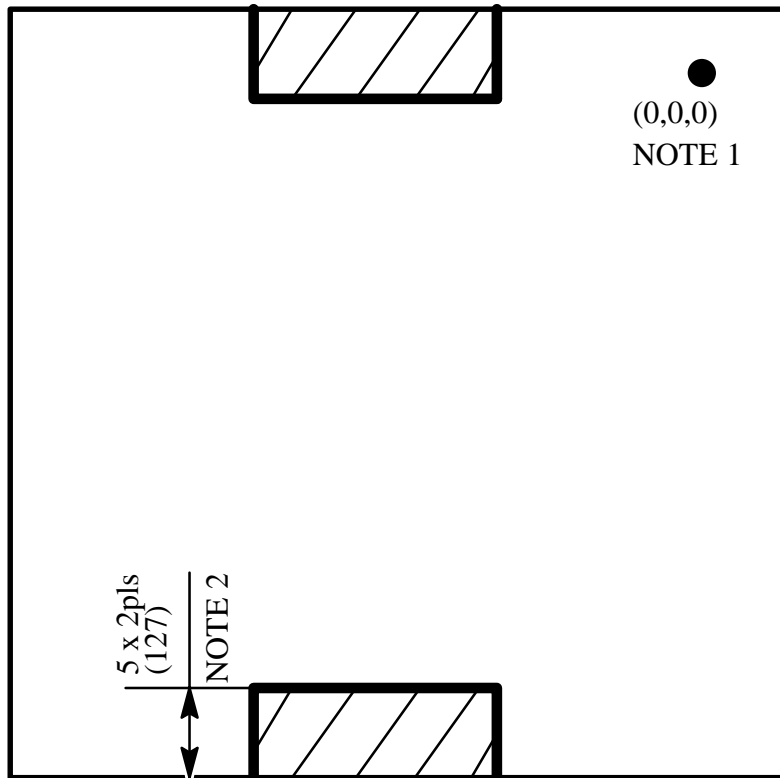
FIGURE 3.2.1.1.2-2 RACK STATIC ENVELOPE (FRONT VIEW)



DETAIL BOX A

Note 1: NASDA racks only volume occupied by seat tracks

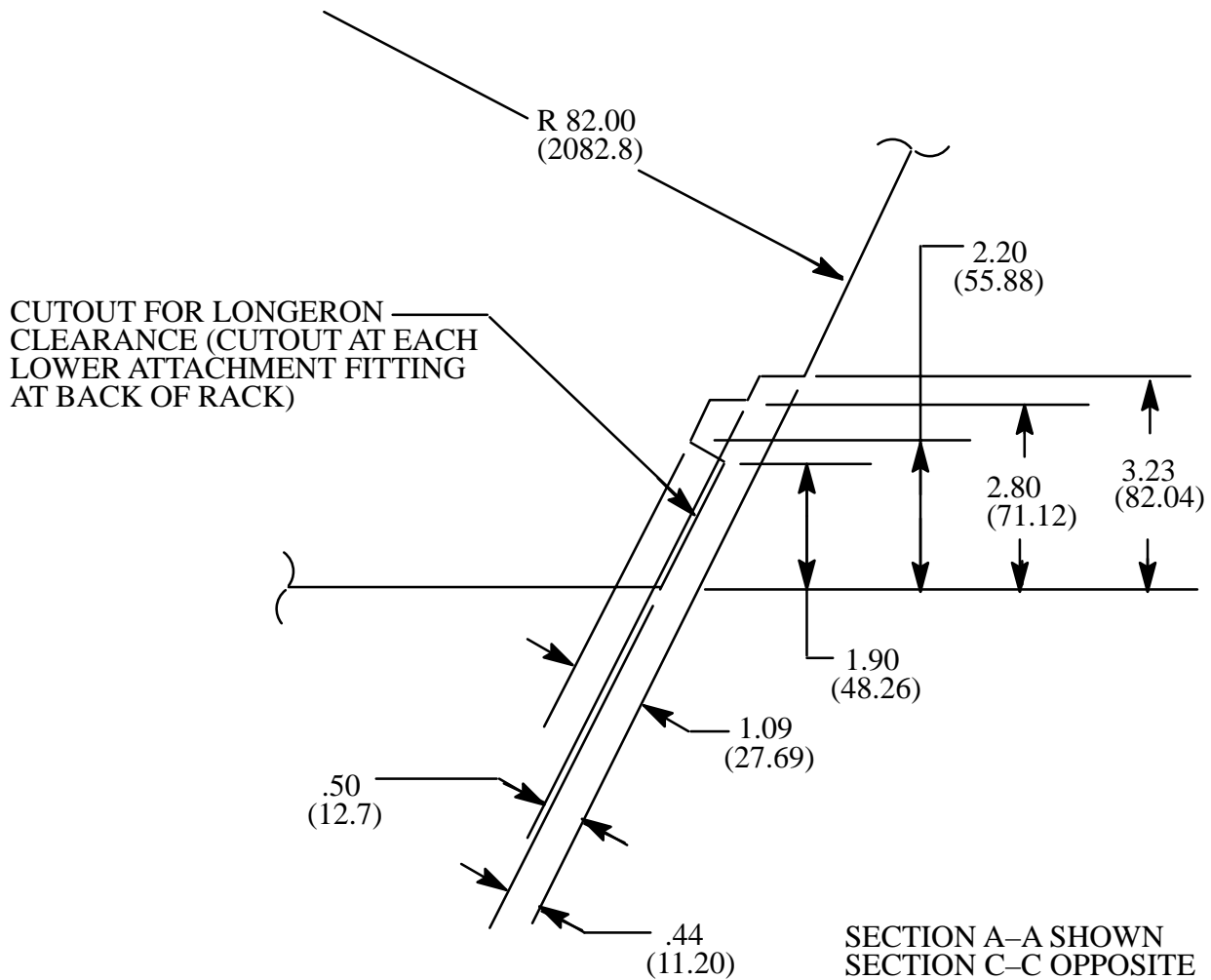
**FIGURE 3.2.1.1.2-2 RACK STATIC ENVELOPE (FRONT VIEW) (PAGE 2 OF 2)
APPLICABLE ONLY TO RACKS FLOWN IN US LAB**



NOTE 1 : Origin (0,0,0) = Rack Datum Point. See FIGURE 3.1.3-1, SSP41017 Part 2 for reference system definition.

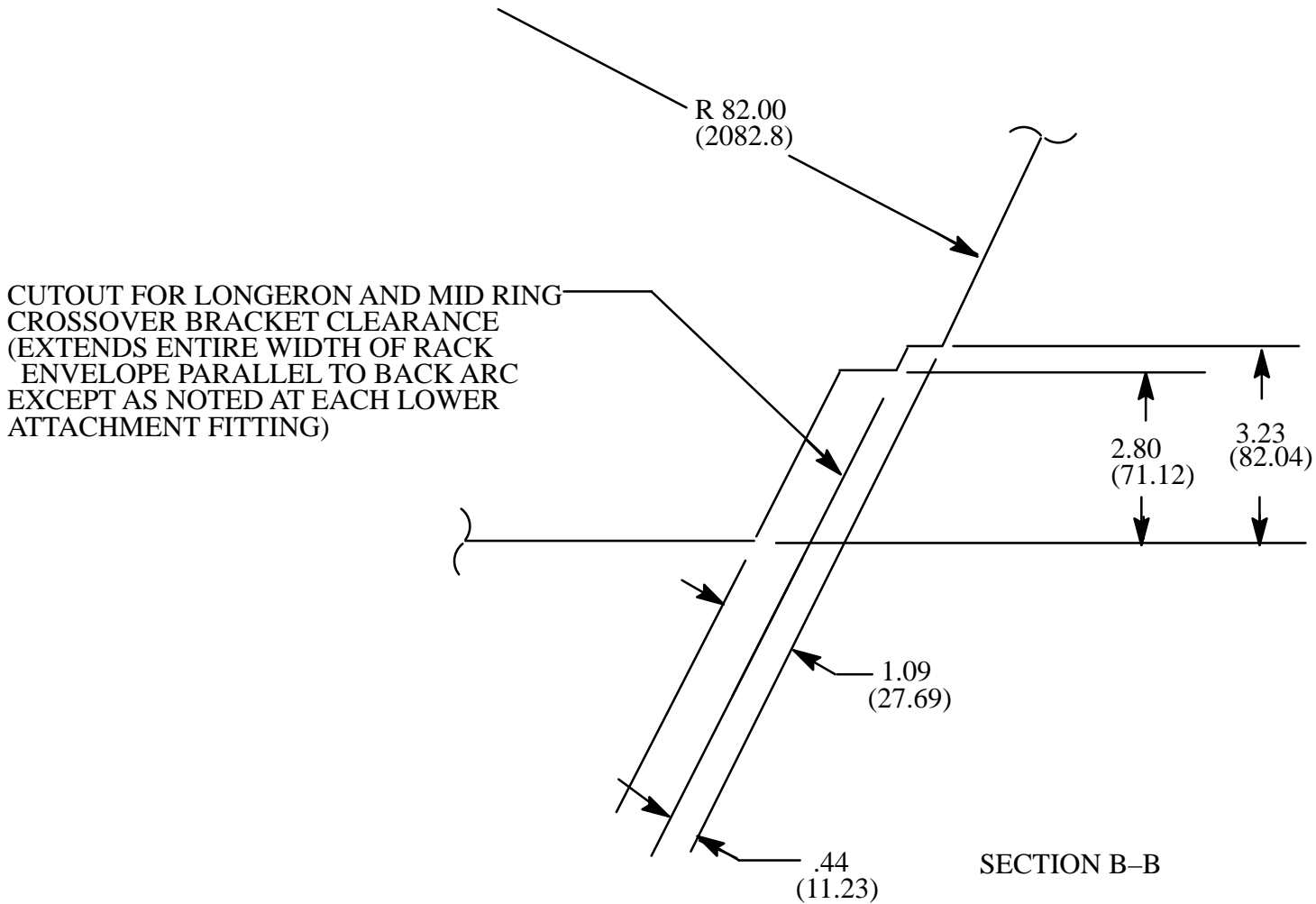
NOTE 2 : NASDA Rack only, Volume occupied by seat tracks.

FIGURE 3.2.1.1.2-3 RACK STATIC ENVELOPE (TOP VIEW)



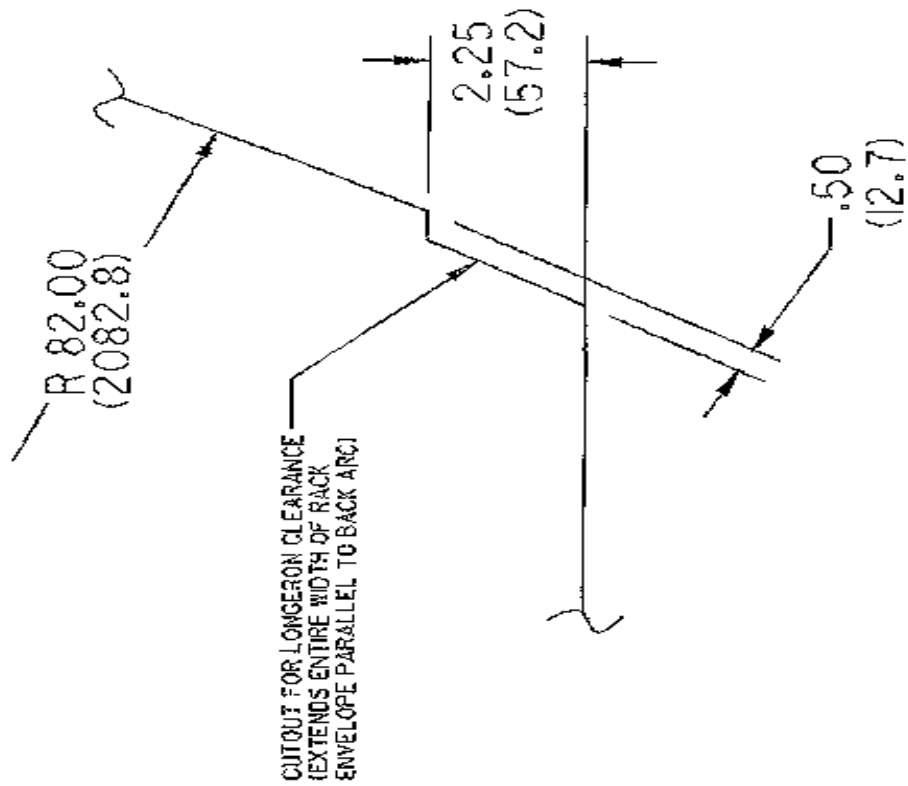
Note: Racks may protrude into the dynamic envelope of US Lab on orbit (See Figures 3.2.1.1.1-4 and 3.2.1.1.1-5)

FIGURE 3.2.1.1.2-4 RACK STATIC ENVELOPE (DETAIL AT ATTACH POINTS A AND B)
APPLICABLE ONLY TO RACKS FLOWN IN US LAB

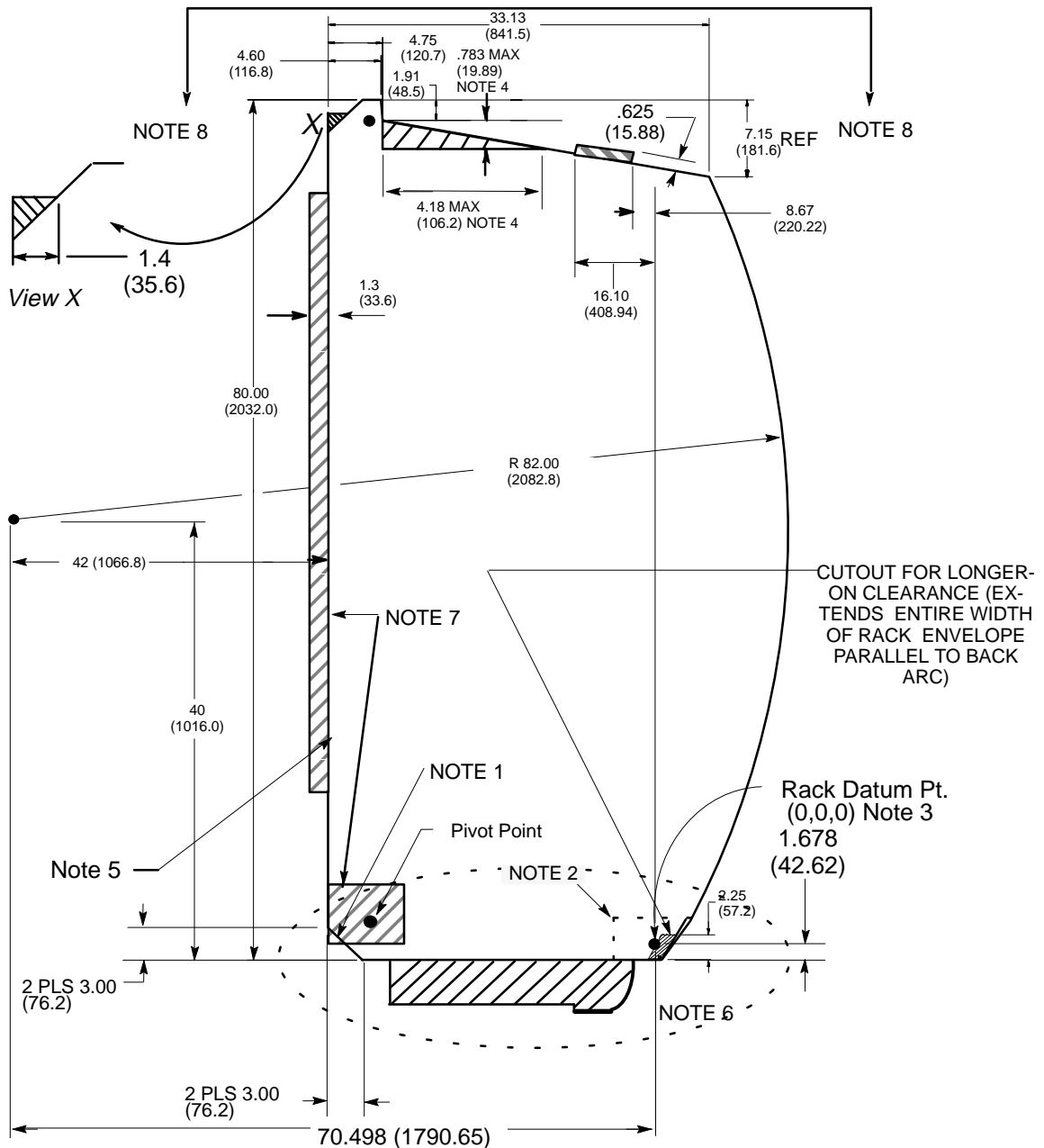


Note: Racks may protrude into the dynamic envelope of US Lab on orbit (See Figures 3.2.1.1.1-4 and 3.2.1.1.1-5)

FIGURE 3.2.1.1.2-5 RACK STATIC ENVELOPE (SIDE VIEW DETAIL)
APPLICABLE TO RACKS FLOWN IN US LAB ONLY

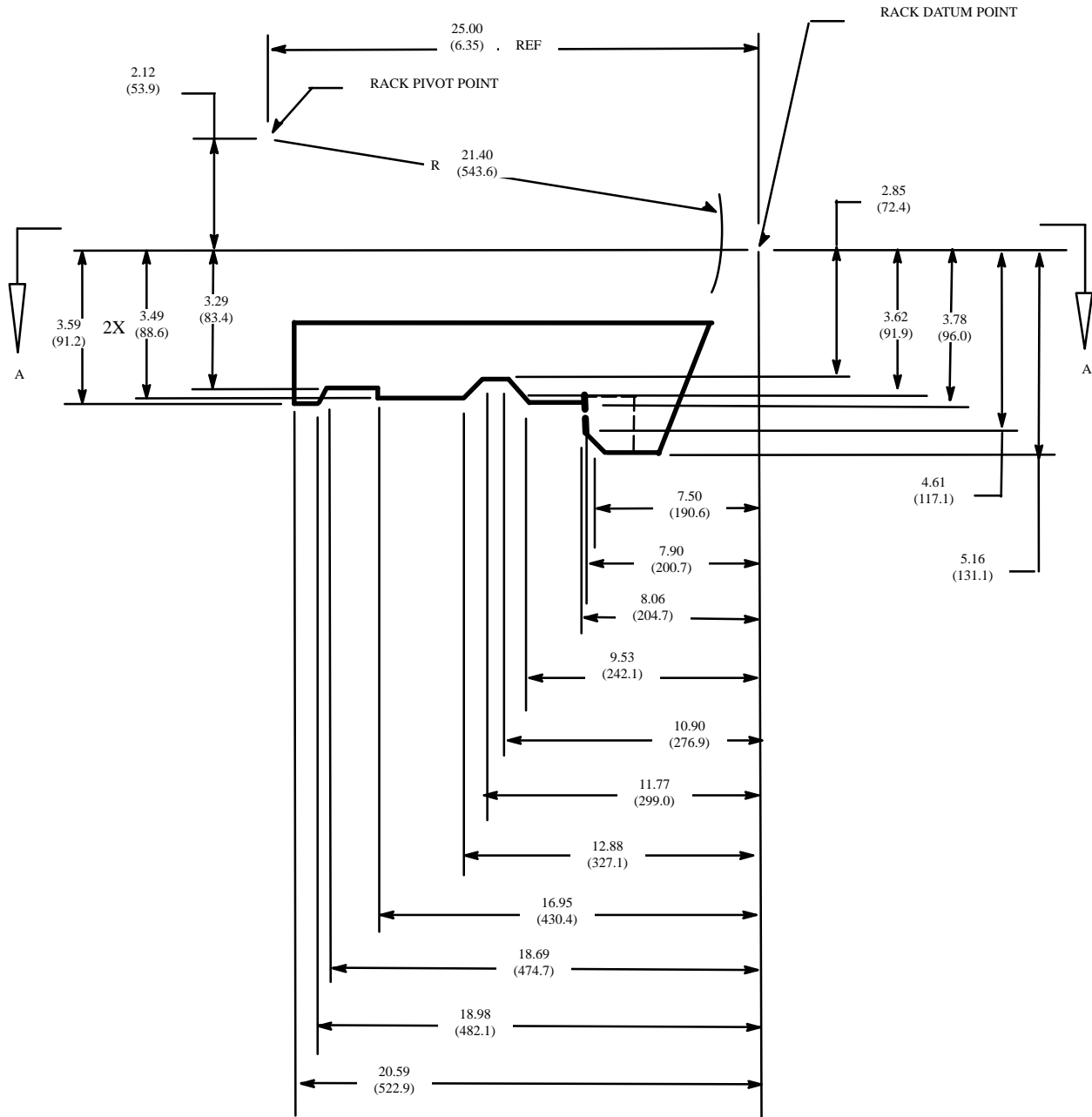


**FIGURE 3.2.1.1.2-6 RACK STATIC ENVELOPE (SIDE VIEW DETAIL)
APPLICABLE TO RACKS FLOWN IN ALL MODULES EXCEPT US LAB**



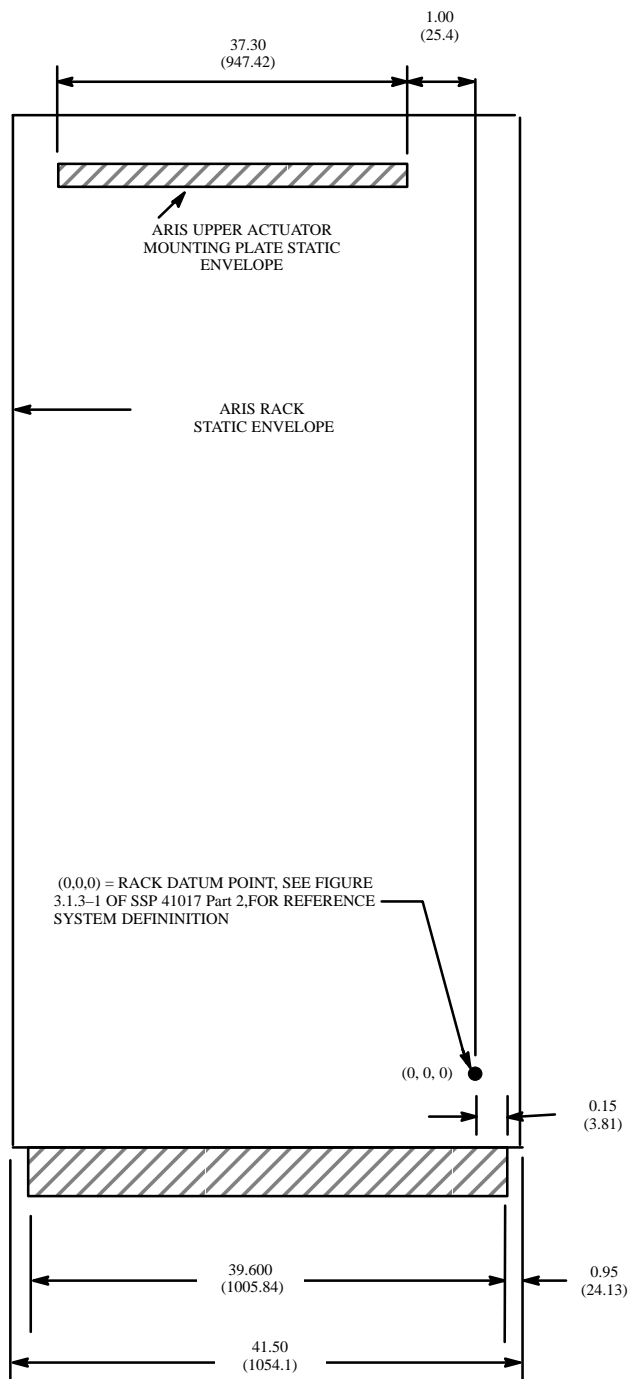
- Note 1: The GSE attach boss may penetrate the 3.0" x 3.0" (76 x 76) chamfer at bottom of rack provided that the boss rotates within the pivot envelope.
- Note 2: The longeron fitting intrusion of the on-orbit envelope can be derived from the module intrusion of the dynamic envelope defined in Figure 3.2.1.1.1-1.
- Note 3: Origin (0,0,0) = Rack Datum Point. See Figure 3.1.3-1 SSP 41017 Part 2 for Reference System definition
- Note 4: Kneebraces may intrude into this area for Racks with attach points C&D below the maximum value in Figure 3.3.2-3 SSP 41017 Part 2.
- Note 5: GSE boss can extend beyond the static envelope by .032" in the -Y direction.
- Note 6: Detail of Isolation Plate Static Envelope (See Figure 3.2.1.1.2-7, Page 2 of 2).
- Note 7: For details of these areas see Figure 3.2.1.1.2-1.
- Note 8: For details of the top of the ARIS rack and kneebrace, see Figure 3.2.1.1.2-10.

**FIGURE 3.2.1.1.2-7 ARIS RACK LAUNCH/LANDING STATIC ENVELOPE (SIDE VIEW)
(PAGE 1 OF 2)**



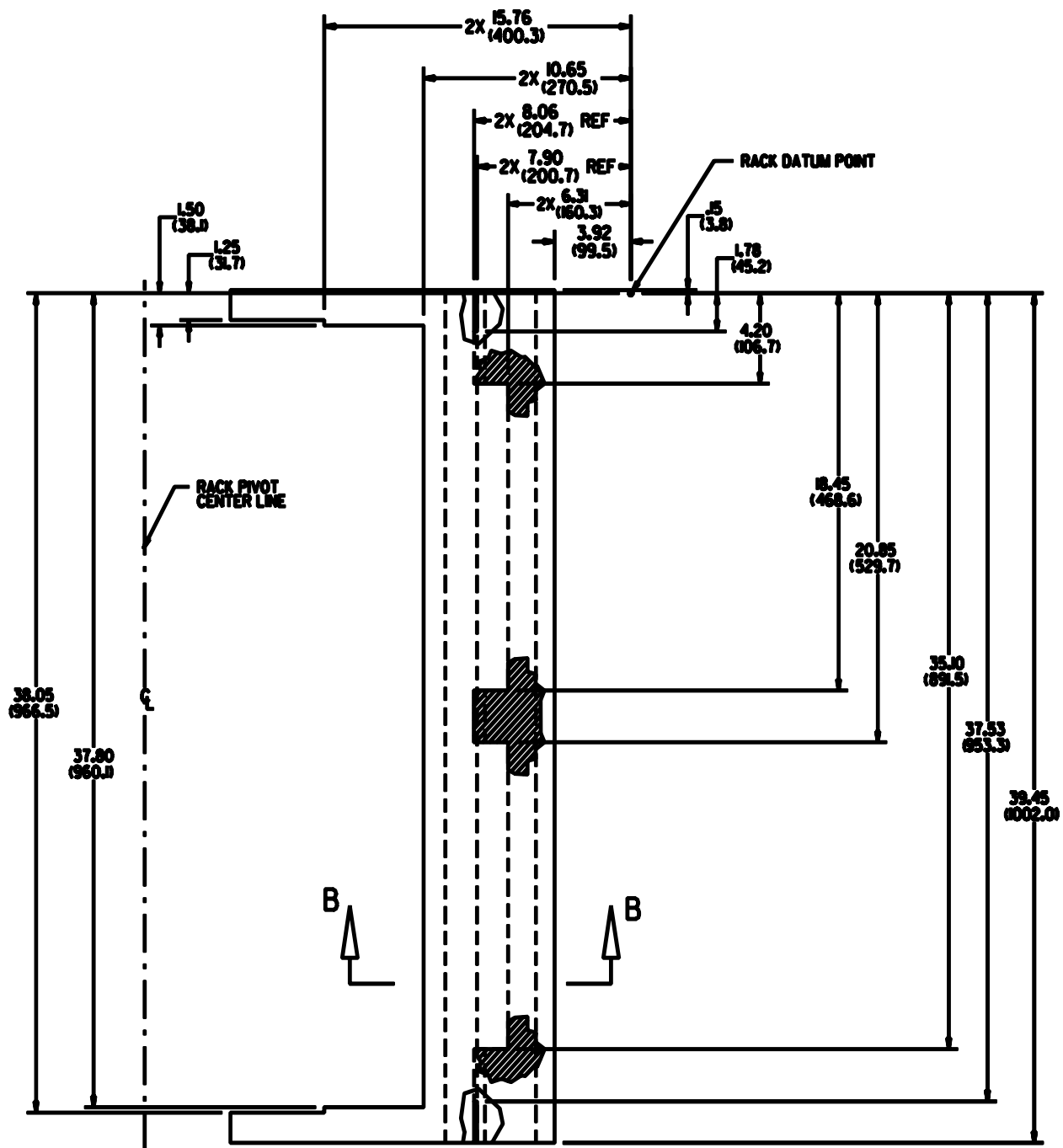
NOTE 1 - ISPR BOTTOM STATIC ENVELOPE

**FIGURE 3.2.1.1.2-7 ARIS RACK LAUNCH/LANDING STATIC ENVELOPE (SIDE VIEW)
(PAGE 2 OF 2)**



NOTE: For SIR Drawer exceptions and GSE Stayout Areas see Figure 3.2.1.1.2-2.

FIGURE 3.2.1.1.2-8 ARIS RACK LAUNCH/LANDING STATIC ENVELOPE (BACK VIEW)



VIEW A-A

FIGURE 3.2.1.1.2-9 ARIS LAUNCH/LANDING RACK STATIC ENVELOPE DETAIL
(BOTTOM VIEW) PAGE 1 OF 2

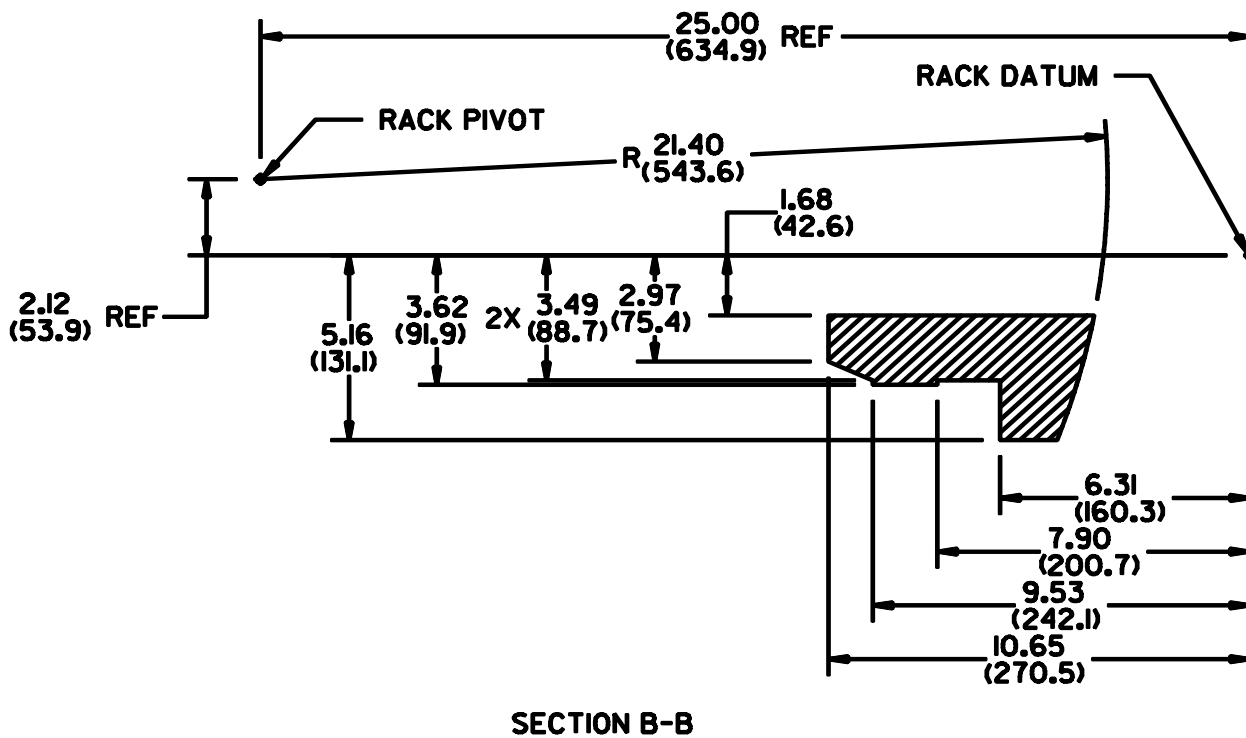
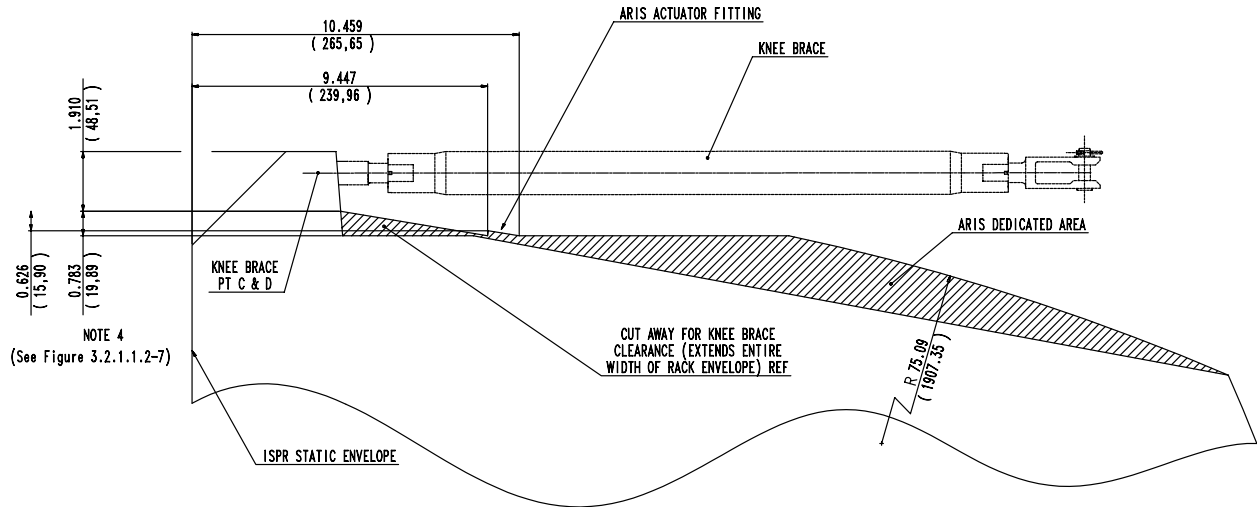
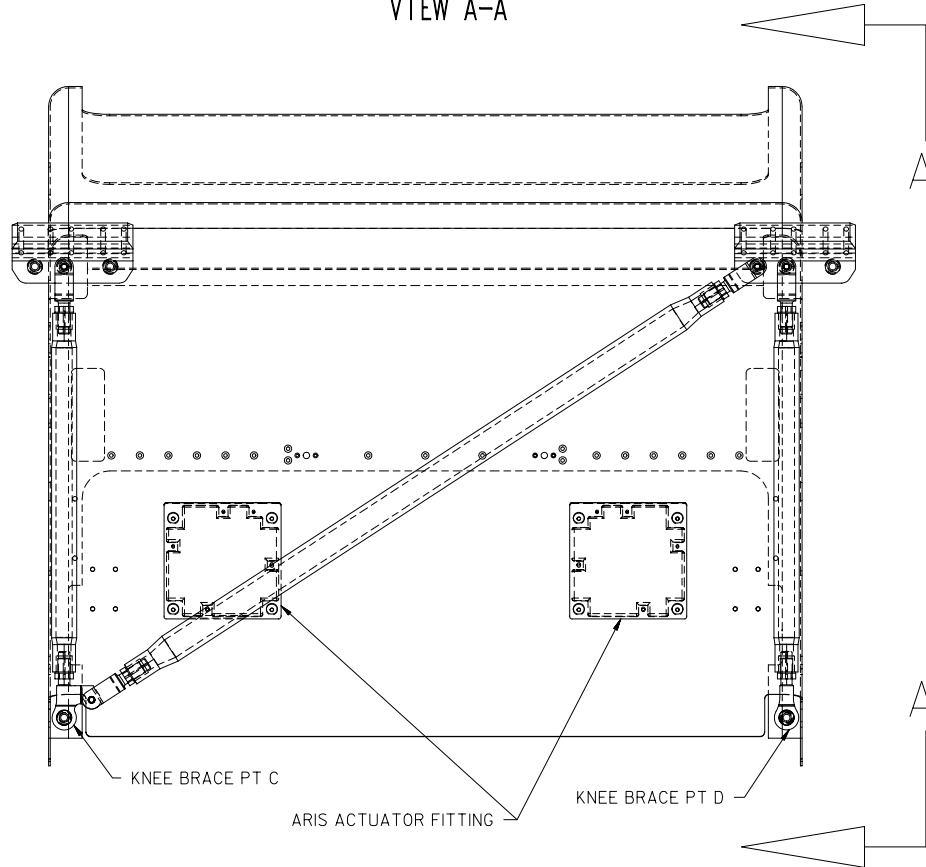


FIGURE 3.2.1.1.2-9 ARIS RACK LAUNCH/LANDING STATIC ENVELOPE DETAIL
PAGE 2 OF 2



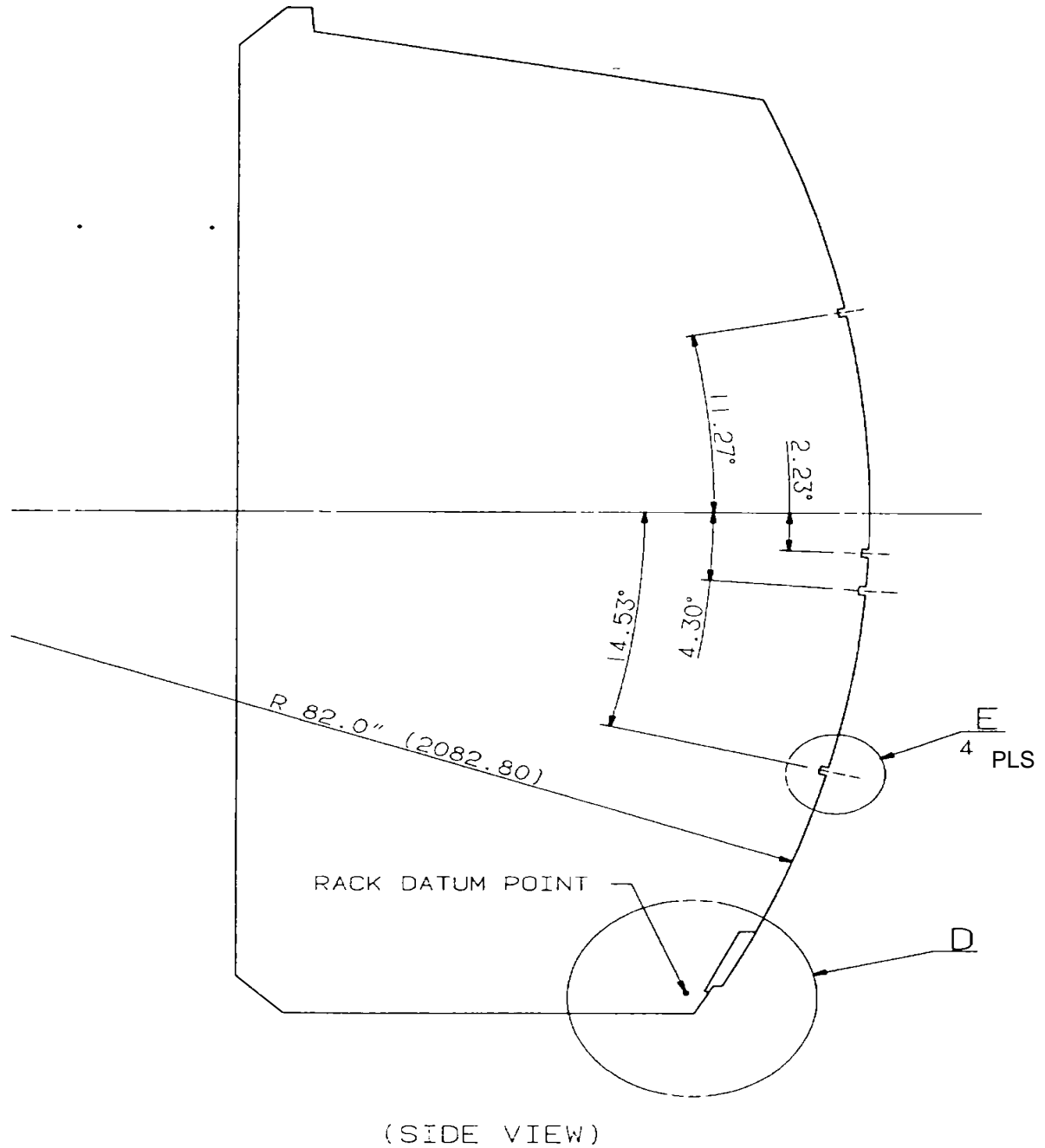
NOTE 4
(See Figure 3.2.1.1.2-7)

VIEW A-A



ARIS RACK TOP VIEW

FIGURE 3.2.1.1.2-10 ARIS RACK STATIC ENVELOPE KNEE BRACE INTRUSION DETAILS (TOP VIEW) (NASA-ASI ONLY)

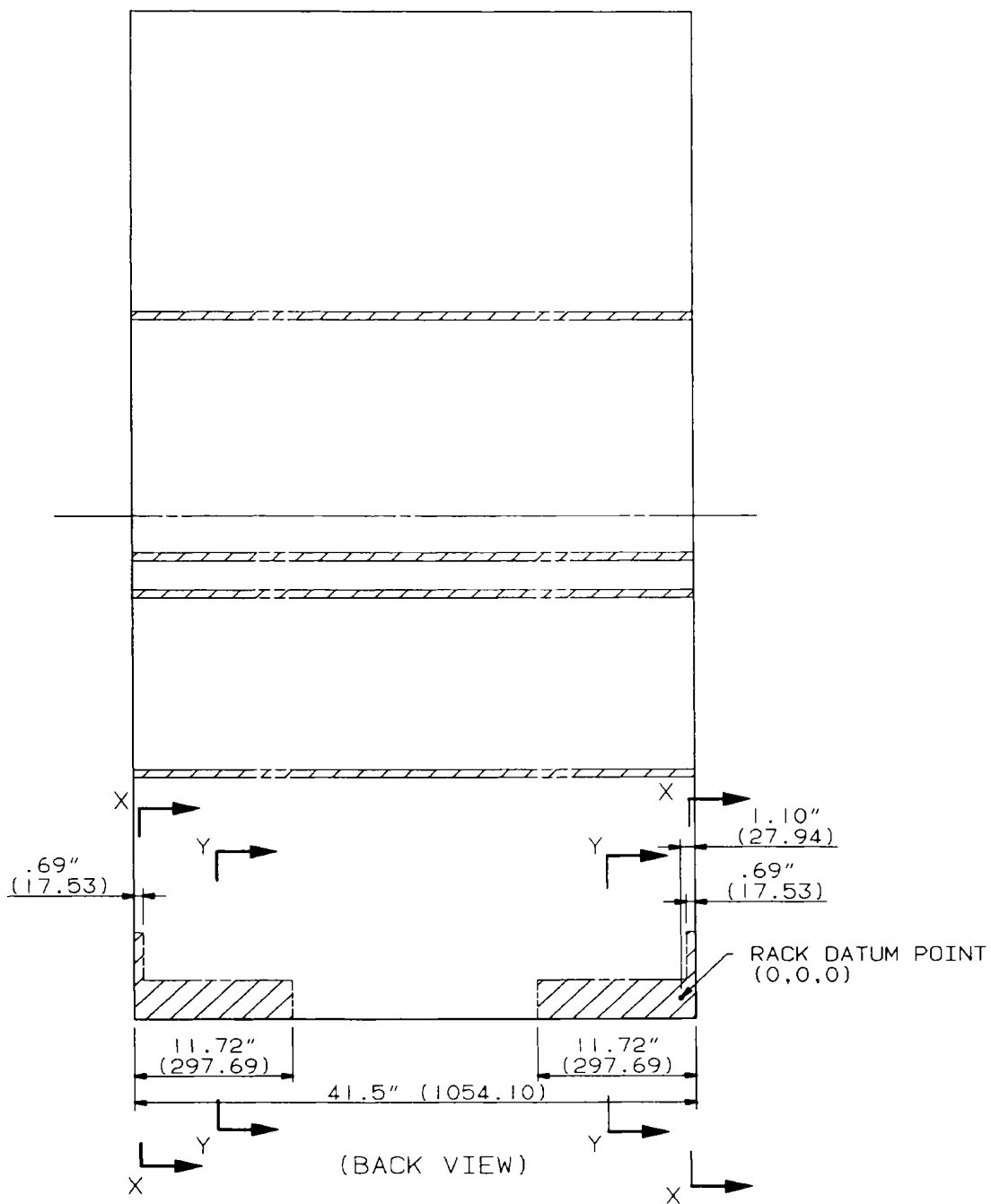


Note 1: This figure is applicable only to the racks in the JEM-PM location A5, F5, F6.

Note 2: Figure 3.2.1.1.2-1 and Figure 3.2.1.1.2-2 are applicable to other envelope except as shown in this figure.

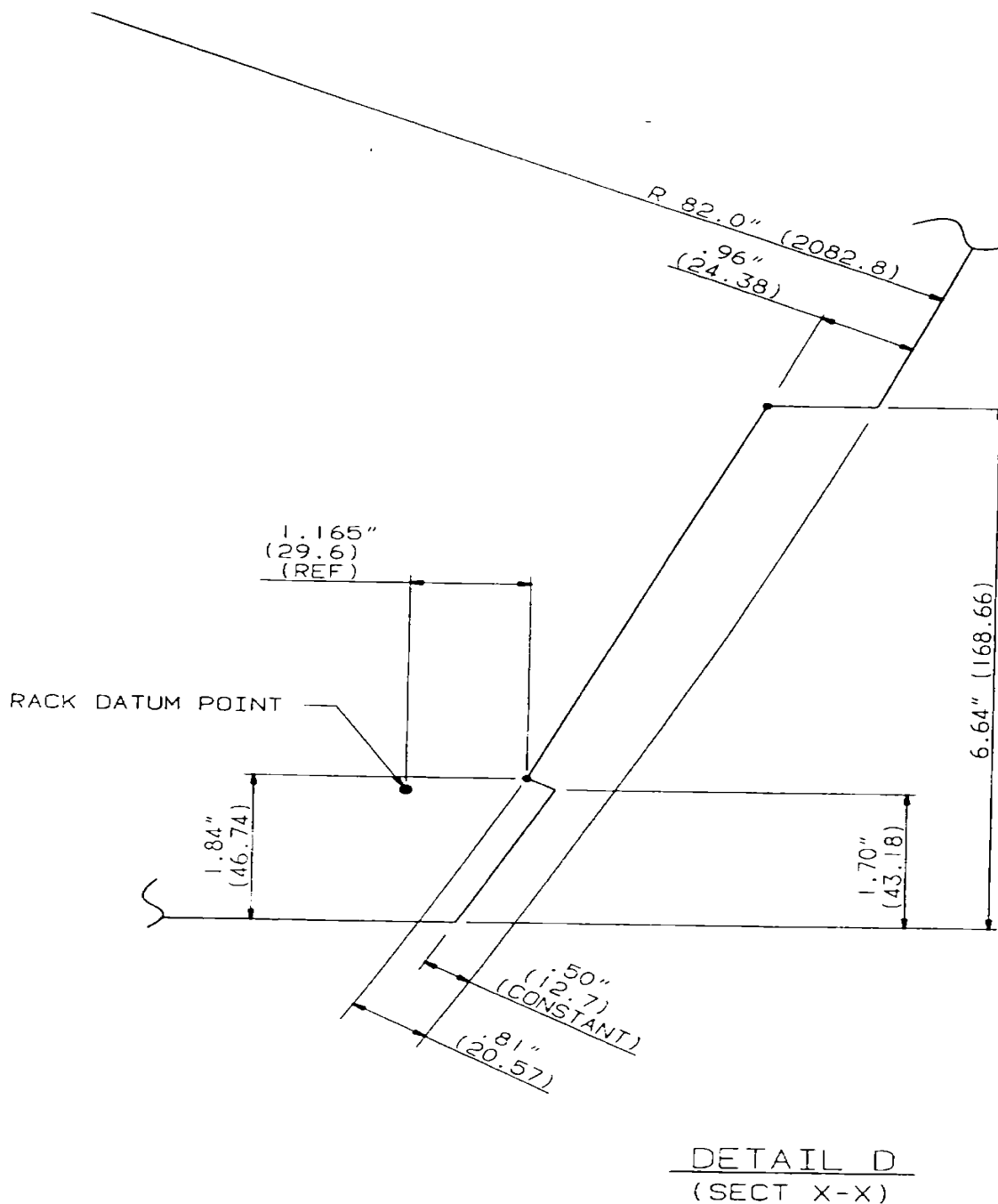
Note 3: Detail E(4PLS) is applicable only to the rack in the JEM-PM location F6.

FIGURE 3.2.1.1.2-11 RACK STATIC ENVELOPE (APPLICABLE ONLY TO RACKS IN JEM -PM) (SIDE VIEW) (PAGE 1 OF 5)



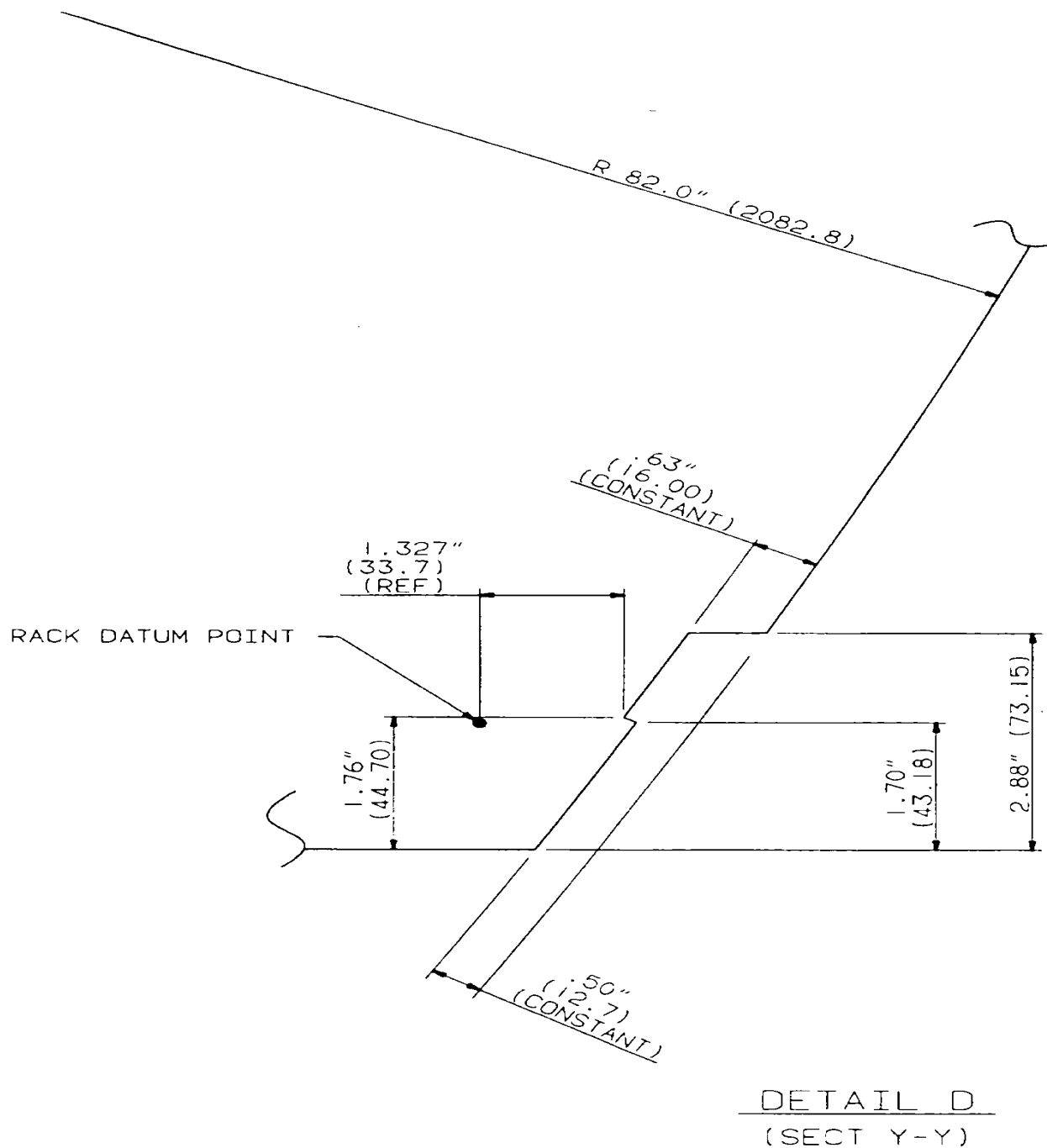
Note 1: This figure is applicable only to the racks in the JEM-PM location A5, F5, F6.

FIGURE 3.2.1.1.2-11 RACK STATIC ENVELOPE (APPLICABLE ONLY TO RACKS IN JEM -PM) (BACK VIEW) (PAGE 2 OF 5)



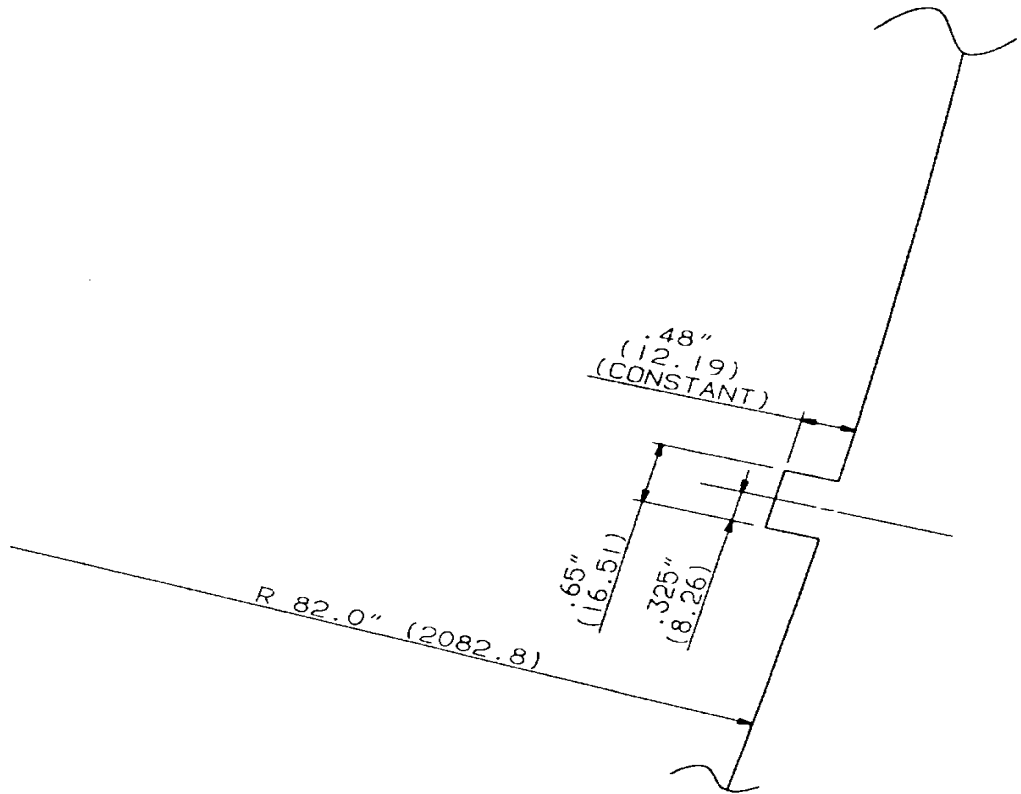
Note 1: This figure is applicable only to the racks in the JEM-PM location A5, F5, F6.

FIGURE 3.2.1.1.2-11 RACK STATIC ENVELOPE (APPLICABLE ONLY TO RACKS IN JEM -PM) (DETAIL D FOR SECTION X-X) (PAGE 3 OF 5)



1: This figure is applicable only to the racks in the JEM-PM location A5, F5, F6.

FIGURE 3.2.1.1.2-11 RACK STATIC ENVELOPE (APPLICABLE ONLY TO RACKS IN JEM -PM) (DETAIL D FOR SECTION Y-Y) (PAGE 4 OF 5)

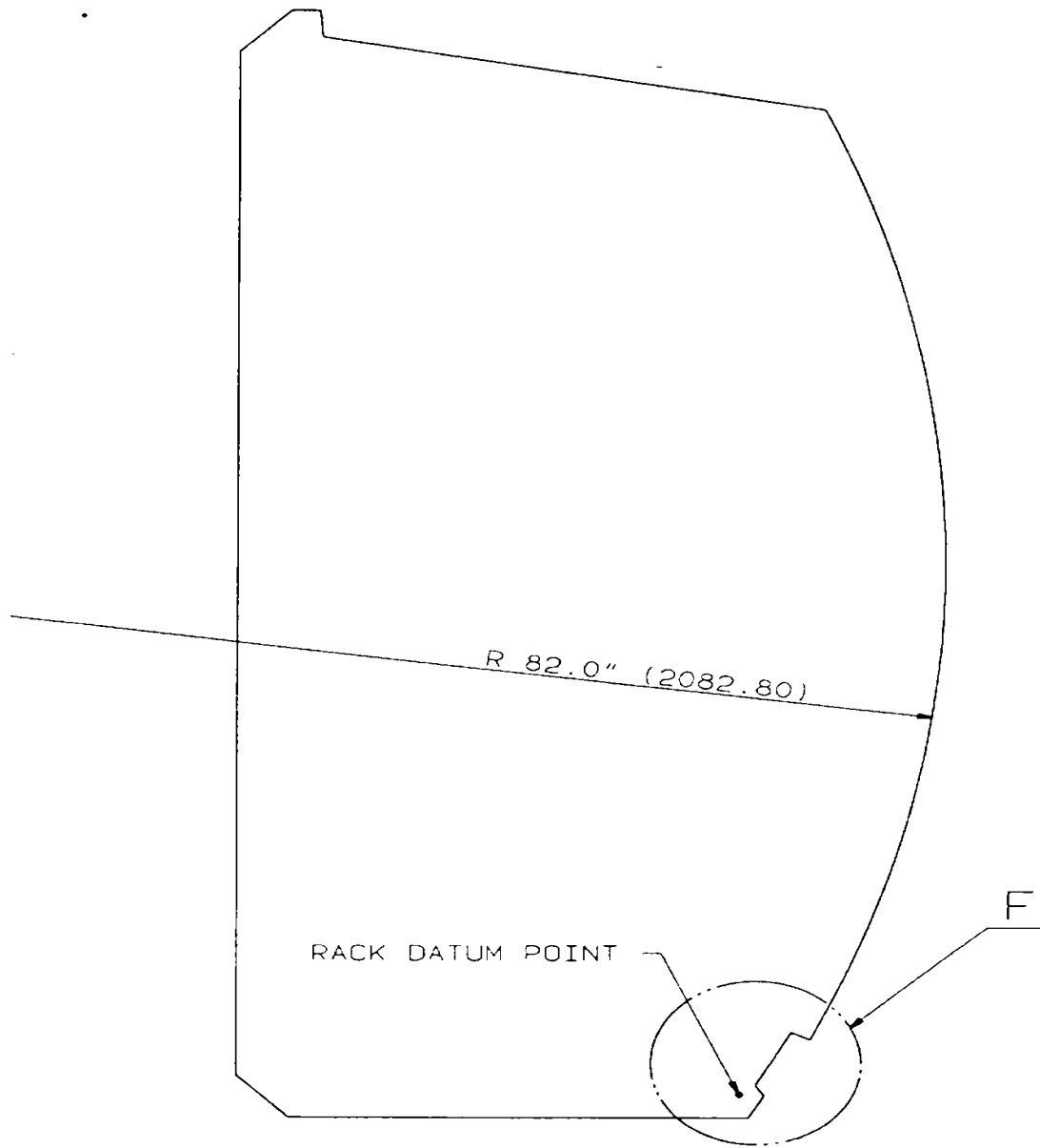


DETAIL E

EXTENDS ENTIRE WIDTH OF RACK ENVELOPE
4PLS

Note 1: This figure is applicable only to the racks in the JEM-PM location F6.

**FIGURE 3.2.1.1.2-11 RACK STATIC ENVELOPE (APPLICABLE ONLY TO RACKS IN
JEM -PM) (DETAIL E) (PAGE 5 OF 5)**

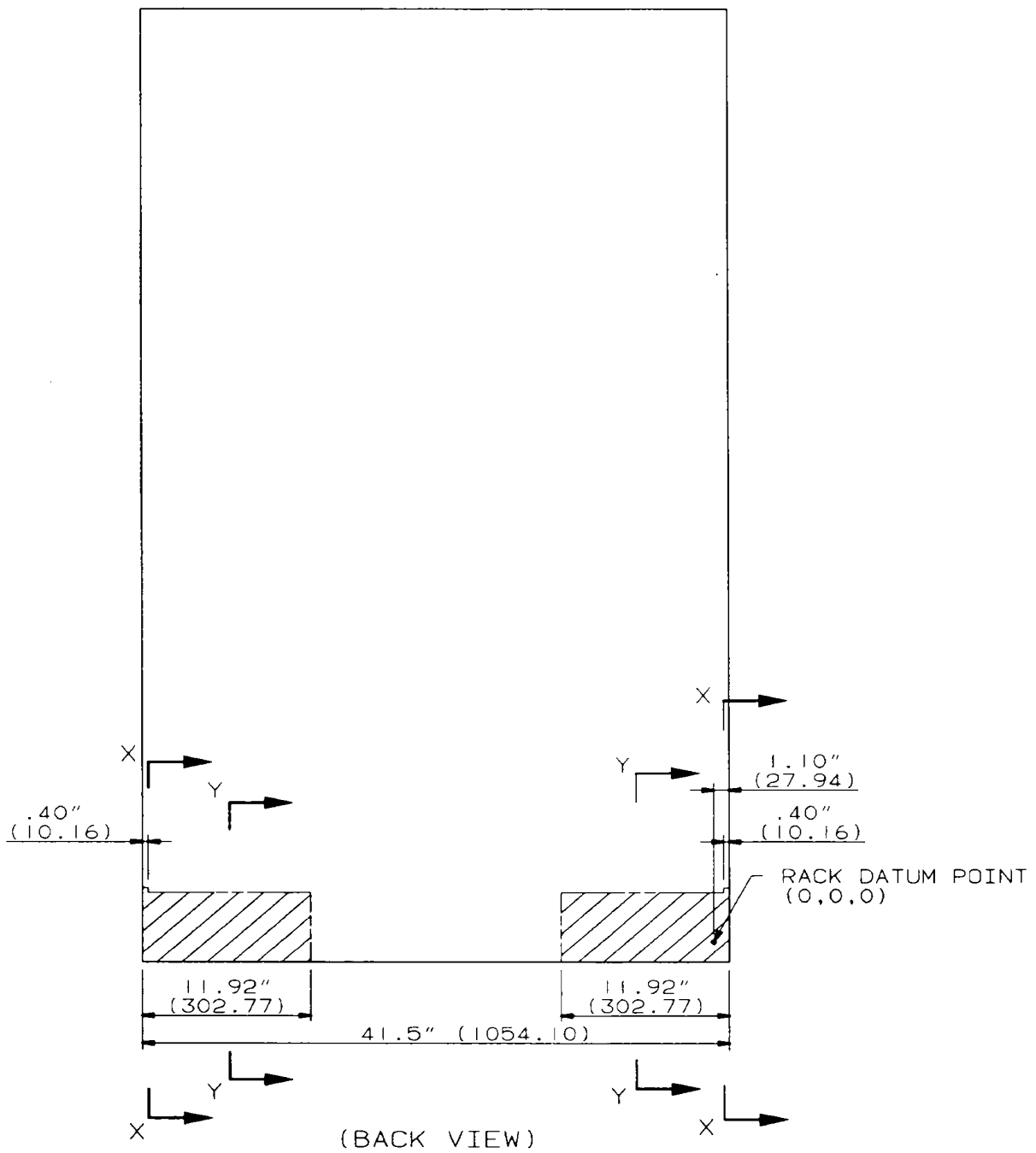


(SIDE VIEW)

Note 1: This figure is applicable only to the racks in the ELM-PS.

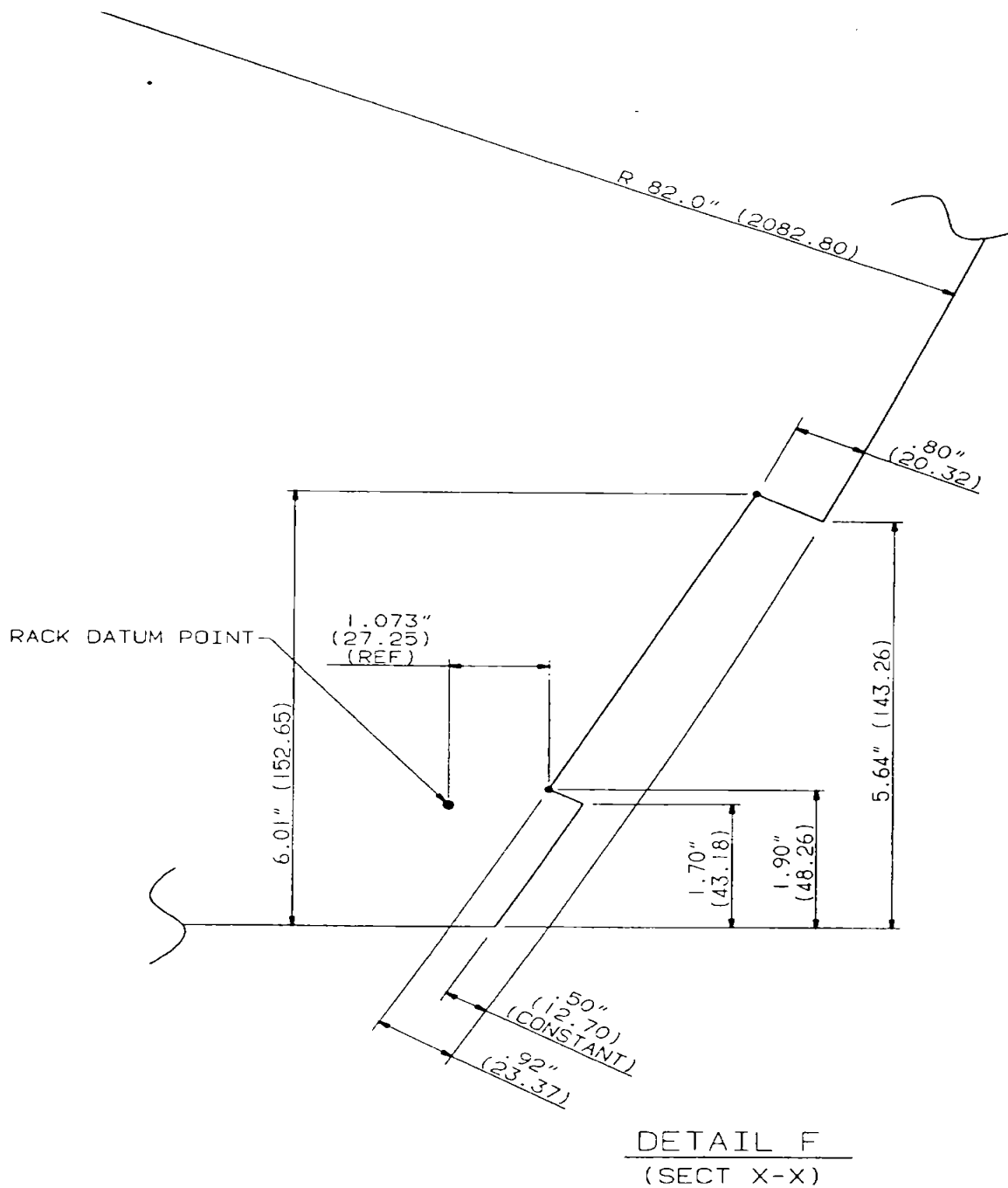
Note 2: Figure 3.2.1.1.2-1 and Figure 3.2.1.1.2-2 are applicable to other envelope except as shown in this figure.

**FIGURE 3.2.1.1.2-12 RACK STATIC ENVELOPE APPLICABLE ONLY TO RACKS IN
ELM-PS (SIDE VIEW) (PAGE 1 OF 4)**



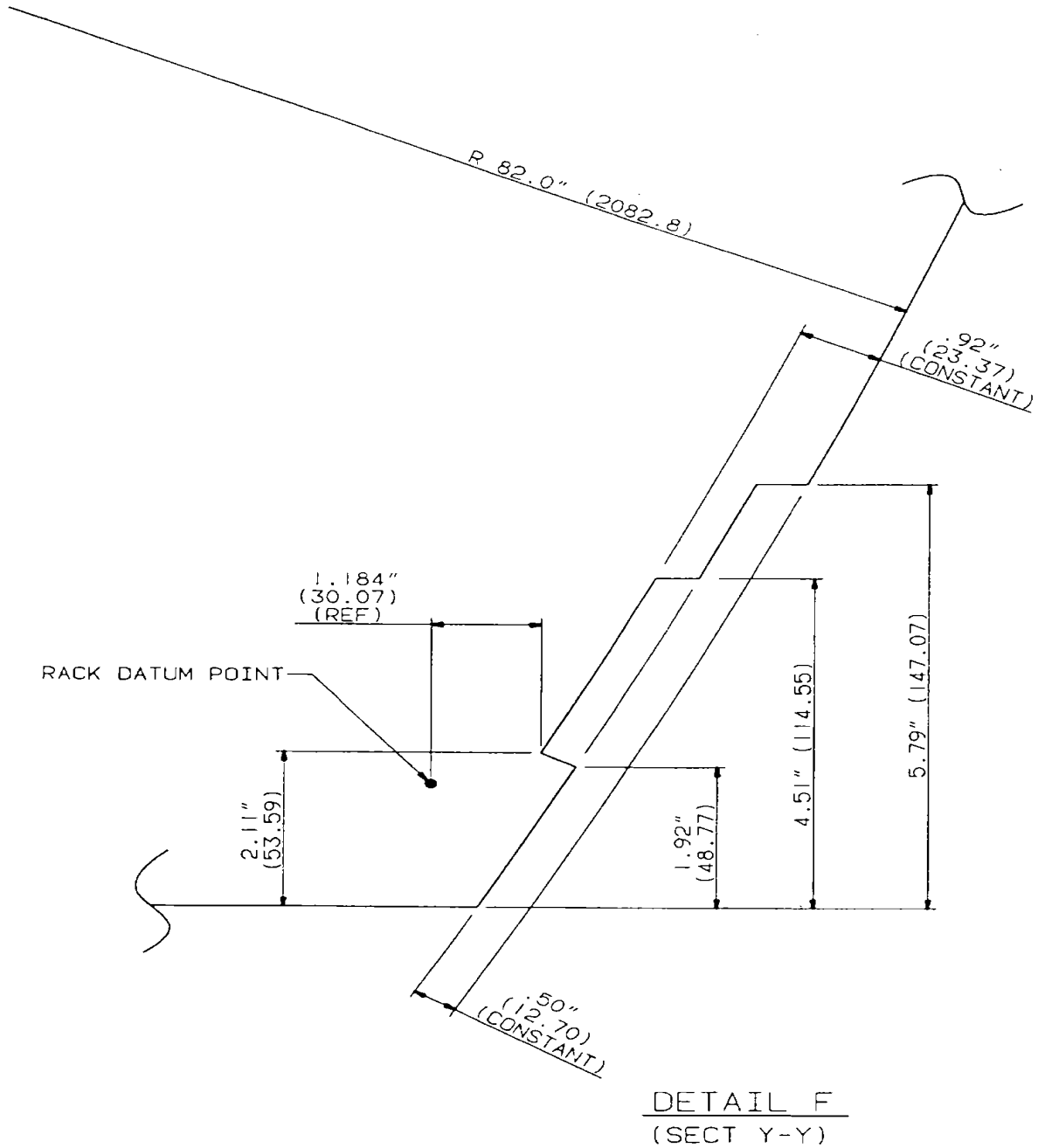
Note 1: This figure is applicable only to the racks in the ELM-PS.

FIGURE 3.2.1.1.2-12 RACK STATIC ENVELOPE APPLICABLE ONLY TO RACKS IN ELM-PS (BACK VIEW) (PAGE 2 OF 4)



Note 1: This figure is applicable only to the racks in the ELM-PS.

FIGURE 3.2.1.1.2-12 RACK STATIC ENVELOPE APPLICABLE ONLY TO RACKS IN ELM-PS (DETAIL F FOR SECTION X-X) (PAGE 3 OF 4)



Note 1: This figure is applicable only to the racks in the ELM-PS.

FIGURE 3.2.1.1.2-12 RACK STATIC ENVELOPE APPLICABLE ONLY TO RACKS IN ELM-PS (DETAIL F FOR SECTION Y-Y) (PAGE 4 OF 4)

3.2.1.4.1.2 RANDOM VIBRATION

ISPR interfaces to the MPLM shall be capable of operation during and after exposure to the random vibration environment defined in Table 3.2.1.4.1.2–1, MPLM Random Vibration Environment.

TABLE 3.2.1.4.1.2–1 MPLM RANDOM VIBRATION ENVIRONMENT

LOCATION	FREQUENCY	LEVEL
Input to rack at rack interfaces	20 Hz	0.0001 g ² /Hz
	20–80 HZ	+11.5 dB/Oct
Any direction independent of mass	80 – 150 Hz	.02 g ² /Hz
	150–2000 Hz	–4.9 dB/Oct
	2000 Hz	0.0003 g ² /Hz
	Composite	2.4 g _{rms}

3.2.1.4.2 ACCELERATION

Rack accelerations are defined in Table 3.2.1.4.2–1, NASA Rack Accelerations (Maximum Predicted Level), Table 3.2.1.4.2–2, NASDA Payload Rack Accelerations (Maximum Predicted Level), Table 3.2.1.4.2–3, NASDA System Rack Accelerations (Maximum Predicted Level) respectively.

Racks to be flown in MPLM will be designed to withstand the applicable acceleration environment for each kind of racks reported in these tables, when constrained to an infinitely massive and stiff boundary.

These acceleration environment values may be superseded by results from flight specific coupled loads analyses (CLA) of the MPLM with racks.

For on-orbit conditions, the acceleration environment will be 0.2g in any direction when the attach points A, B, C and D or C, D, I and J are employed.

For a tilted rack position, the rack will be subjected to the interface loads in Table 3.2.1.4.3–1, Mini Pressurized Logistics Module and Mechanical Ground Support Equipment Local Rack Attach Point Design Limit Loads (Launch, Landing, On–Orbit and Ground Handling), at attach points I and J.

**TABLE 3.2.1.4.2-1 NASA RACK ACCELERATION
(MAXIMUM PREDICTED LEVEL)**

	Nx(g)	Ny(g)	Nz(g)	Rx * (rad/sec²)	Ry* (rad/sec²)	Rz* (rad/sec²)
Launch	+/-7.0	+/-8.0	+/-7.8	+/-70.8	+/-21.7	+/-34.8
Landing	+/-5.3	+/-7.2	+/-9.0	+/-37.1	+/-23.0	+/-28.3
Ground Handling	+/-0.5	+/-1.0	+/-2.0	+/-0.0	0.0	0.0
KSC Ground Handling (Alt Attach/Bosses)	+/-0.3	+/-1.08	+/-1.08	+/-0.0	+/-0.0	+/-0.0
Nodes 2 & 3 Ground Handling(Alt. Attach/ Bosses)	±0.3	±1.5	±1.5	±0.0	±0.0	±0.0

* Rotation taken about Rack center of mass.

**TABLE 3.2.1.4.2-2 NASDA PAYLOAD RACK ACCELERATIONS
(MAXIMUM PREDICTED LEVEL)**

	Nx(g)	Ny(g)	Nz(g)	Rx * (rad/sec²)	Ry * (rad/sec²)	Rz * (rad/sec²)
Launch**	+6.54 -6.15	+5.16 -5.40	+7.66 -7.91	+43.4 -42.3	+16.0 -15.5	+36.8 -34.1
Landing**	+4.04 -4.92	+8.12 -7.75	+8.50 -4.46	+19.2 -18.9	+16.2 -18.0	+32.2 -33.0

* Rotation taken about Rack center of mass.

**The values in the table include uncertainty factor: 1.25

**TABLE 3.2.1.4.2-3 NASDA SYSTEM RACK ACCELERATIONS
(MAXIMUM PREDICTED LEVEL)**

	Nx(g)	Ny(g)	Nz(g)	Rx * (rad/sec²)	Ry * (rad/sec²)	Rz * (rad/sec²)
Launch**	+4.06 -4.47	+4.55 -4.67	+5.49 -5.71	+27.4 -27.1	+12.9 -11.5	+15.9 -17.4
Landing**	+3.34 -3.76	+6.61 -6.46	+6.81 -3.74	+12.3 -11.9	+12.8 -13.5	+16.4 -15.6

* Rotation taken about Rack center of mass.

**The values in the table include uncertainty factor: 1.25

3.2.1.4.3 INTERFACE LOADS

Interface loads for launch and landing are the static, dynamic, and pressure loads exchanged between the rack and the module through the attach points A, B, C and D. Interface loads for ground handling are the static and dynamic loads exchanged between the rack and GSE through the attach points E, F, G, and H. On-orbit interface loads are static, dynamic and pressure loads exchanged between the rack and the module through the attach points A, B, C and D or C, D, I and J or I and J (for a tilted rack). For all flight and ground events, the racks shall not exceed the interface loads defined in Table 3.2.1.4.3-1, MPLM and Mechanical Ground Support Equipment Local Rack Attach Point Design Limit Loads (Launch, Landing, On-Orbit and Ground Handling) based on coupled dynamic, static, and pressure analyses or additional structural analysis shall be required. Table 3.2.1.4.3-2 defines the loads on NASA racks due to differential pressure. Table 3.2.1.4.3-3 defines the loads on NASDA racks due to differential pressure. Design load table is for individual rack/cargo assessment. Verification coupled loads analysis may require MPLM manifest modification.

TABLE 3.2.1.4.3–1 MINI PRESSURIZED LOGISTICS MODULE AND MECHANICAL GROUND SUPPORT EQUIPMENT LOCAL RACK ATTACH POINT DESIGN LIMIT LOADS (LAUNCH, LANDING, ON–ORBIT AND GROUND HANDLING) (PAGE 1 OF 2)

EVENT	Limit Load lbf (N)	ATTACH POINT LOCATIONS											
		A	B	C	D	E	F	G	H	I ^{*3}	J ^{*3}	M ^{*3}	N ^{*3}
Launch	Fx	*1+7132/–6856 (31730) *2+6856/–6856 (30500)	0	±5927 (26367)	±23 (100)	N/A	N/A	N/A	N/A	333	333	167	167
	Fy	±6250 (27800)	±6630 (29500)	±5867 (26100)	±5305 (23600)	N/A	N/A	N/A	N/A	94	94	94	94
	Fz	±8340 (37100)	*1+9231/–8565 (41069) *2+8565/–8565 (38100)	±90 (400)	±83 (370)	N/A	N/A	N/A	N/A	383	383	0	0
Landing	Fx	±7613 (33863)	0	±5852 (26030)	±26 (116)	N/A	N/A	N/A	N/A	195	195	98	98
	Fy	±5524 (24571)	±5951 (26470)	±4987 (22182)	±5012 (22293)	N/A	N/A	N/A	N/A	173	173	173	173
	Fz	*1+13530/–12839 (60205) *2+12839/–12839 (57108)	±12861 (57206)	±87 (387)	±77 (343)	N/A	N/A	N/A	N/A	195	195	0	0
On–Orbit	Fx	Do not exceed launch and landing interface limit loads (see above)				N/A	N/A	N/A	N/A	+250 (1112)	–250 (1112)	±125 (556)	±125 (556)
	Fy					N/A	N/A	N/A	N/A	±125 (556)	±125 (556)	±125 (556)	±125 (556)
	Fz					N/A	N/A	N/A	N/A	±250 (1112)	±250 (1112)	0	0

TABLE 3.2.1.4.3-1 MINI PRESSURIZED LOGISTICS MODULE AND MECHANICAL GROUND SUPPORT EQUIPMENT LOCAL RACK ATTACH POINT DESIGN LIMIT LOADS (LAUNCH, LANDING, ON-ORBIT AND GROUND HANDLING) (PAGE 2 OF 2)

EVENT	Limit Load lbf (N)	ATTACH POINT LOCATIONS											
		A	B	C	D	E	F	G	H	I ^{*3}	J ^{*3}	M ^{*3}	N ^{*3}
Ground Handling (Launch Attached)	Fx	±4330 (19261)	0	±2370 (10542)	±2370 (10542)	N/A	N/A	N/A	N/A	N/A	N/A	N/A	N/A
	Fy	±4620 (20551)	±4620 (20551)	±5140 (22864)	±5140 (22864)	N/A	N/A	N/A	N/A	N/A	N/A	N/A	N/A
	Fz	±4940 (21974)	±4940 (21974)	0	0	N/A	N/A	N/A	N/A	N/A	N/A	N/A	N/A
Ground Handling (Alt Attach)	Fx	N/A	N/A	N/A	N/A	±170 (756)	±170 (756)	±170 (756)	±170 (756)	N/A	N/A	N/A	N/A
	Fy	N/A	N/A	N/A	N/A	±560 (2491)	±560 (2491)	±560 (2491)	±560 (2491)	N/A	N/A	N/A	N/A
	Fz	N/A	N/A	N/A	N/A	±480 (2135)	±480 (2135)	±480 (2135)	±480 (2135)	N/A	N/A	N/A	N/A
Ground Handling (Alt Attach/Bosses) Nodes 2 & 3	Fx	N/A	N/A	N/A	N/A	±300 (1335)	±300 (1335)	±300 (1335)	±300 (1335)	N/A	N/A	N/A	N/A
	Fy	N/A	N/A	N/A	N/A	+ 3000 (13,345)	+ 3000 (13,345)	+ 3000 (13,345)	+ 3000 (13,345)	N/A	N/A	N/A	N/A
	Fz	N/A	N/A	N/A	N/A	- 2000 (- 8900)	- 2000 (- 8900)	- 2000 (- 8900)	- 2000 (- 8900)	N/A	N/A	N/A	N/A
Ground Handling (Alt Attach/Bosses) For U.S. ISPR'S in MPLM only (*4)	Fx	N/A	N/A	N/A	N/A	±300 (1335)	±300 (1335)	±300 (1335)	±300 (1335)	N/A	N/A	N/A	N/A
	Fy	N/A	N/A	N/A	N/A	±1000 (4450)	±1000 (4450)	±1000 (4450)	±1000 (4450)	N/A	N/A	N/A	N/A
	Fz	N/A	N/A	N/A	N/A	±1000 (4450)	±1000 (4450)	±1000 (4450)	±1000 (4450)	N/A	N/A	N/A	N/A

Notes: N/A = Not applicable – Rack is not attached at this location
 On-orbit loads apply for the range of rack positions for normal to fully tilted
 Landing loads include the pressure induced loads contained in Table 3.2.1.4.3-2 for NASA racks and Table 3.2.1.4.3-3 for NASDA racks.
 Launch and landing loads are applicable for any rack mounted position (one rack at a time) as noted below:
 *1. Use the higher load value for the following MPLM locations: all starboard locations, portside locations for the 2 most forward bay locations, and the NADIR location for the 3rd bay from forward.
 *2. Use the lower load value for all other locations not defined in note *1.
 *3. Launch and landing loads apply only to ZSR racks in Node 2.
 On-orbit for ARIS Pivot Fx loads are opposite sign.
 *4. This row defines MPLM (KSC) GSE ground handling design limit loads.

TABLE 3.2.1.4.3-2 MPLM RACK INTERFACE LOADS ON NASA RACKS DUE TO DIFFERENTIAL PRESSURE (APPLICABLE FOR LANDING ONLY)

Load Lbf (N)	ATTACH POINT LOCATION			
Load Lbf (N)	A	B	C	D
FX	± 959 (4266)	± 0 (0)	± 962 (4281)	± 0 (0)
FY	± 286 (1271)	± 286 (1271)	± 491 (2185)	± 601 (2674)
FZ	± 1892 (8416)	± 1892 (8416)	± 0 (0)	± 0 (0)

TABLE 3.2.1.4.3-3 MPLM RACK INTERFACE LOADS ON NASDA RACKS DUE TO DIFFERENTIAL PRESSURE (APPLICABLE FOR LANDING ONLY)

Load Lbf (N)	ATTACH POINT LOCATION			
Load Lbf (N)	A	B	C	D
FX	± 1060 (4715)	± 0 (0)	± 1060 (4715)	± 0 (0)
FY	± 315 (1401)	± 315 (1401)	± 330 (1468)	± 330 (1468)
FZ	± 2090 (9296)	± 2090 (9296)	± 6 (27)	± 6 (27)

3.2.1.4.4 RACK DIFFERENTIAL PRESSURE

The rack structure shall not permanently deform when exposed to a maximum repressurization rate of 6.96 psi/min (800 Pa/s).

The rack structure shall not permanently deform when exposed to a maximum depressurization rate of 7.74 psi/min (890 Pa/s).

3.2.2 MPLM INTERFACE REQUIREMENTS

3.2.2.1 ENVELOPE REQUIREMENTS

3.2.2.1.1 DYNAMIC ENVELOPE

Each rack location within the MPLM shall reserve volume for the dynamic envelope shown in Figure 3.2.1.1.1-1 and 3.2.1.1.1-2, Rack Dynamic Envelope, when the attachment points A, B, C and D defined in Figure 3.2.1.1.1-3 are for launch and landing.

(NASA ASI ONLY) Racks within the MPLM which utilize the ARIS shall reserve volume for the dynamic envelope shown in Figures 3.2.1.1.1-4, 3.2.1.1.1-5, and 3.2.1.1.1-6, ARIS Rack Dynamic Envelope, when the attachment points A, B, C and D defined in Figure 3.2.1.1.1-3, are for launch and landing

3.2.2.1.2 MPLM ACCOMMODATION OF RACK

The MPLM shall accommodate racks designed in accordance with the rack static envelope as defined in Figure 3.2.1.1.2-1 side view and 3.2.1.1.2-2, Rack Static Envelope (Front View) for the launch/landing and on-orbit conditions.

(NASA ASI ONLY) The MPLM shall accommodate racks which utilize the ARIS in accordance with the static envelope as shown in Figures 3.2.1.1.2-3, 3.2.1.1.2-4, and 3.2.1.1.2-5, ARIS Rack Static Envelope for the launch/landing and on-orbit conditions.

3.2.2.2 MASS PROPERTIES

Each ISPR location within the MPLM shall accommodate the maximum integrated ISPR mass of 1773 lbs (804.2 kg).

All Modules shall accommodate Racks with an On Orbit mass of 1773 lbs (804.2 Kg) without operational restrictions.

Each ISPR location within the USL, APM, JEM and CAM shall accommodate the maximum integrated on orbit mass of 2200 lbs (997.9 Kg) with restrictions as noted below.

The JEM shall only accommodate an On Orbit mass of 2200 lbs (997.9 Kg) with operational restrictions.

The APM shall accommodate one 2200 lbs (997.9 Kg) ISPR per stand off train, and no two such racks shall share the stand off in one bay. Each stand off train ISPR mass shall not exceed 7092 lbs (3217 Kg) in the APM.

3.2.2.3 STRUCTURAL/MECHANICAL

3.2.2.3.1 LAUNCH/LANDING/ON-ORBIT ATTACHMENT

The MPLM shall incorporate structural/mechanical provisions for attachment of the ISPR for the launch/landing/on-orbit event.

3.2.2.3.1.1 ON-ORBIT MODULAR ATTACHMENT

On-Orbit modules shall provide the ARIS standoff link interface and the Capture Mechanism as the module to rack interface at specified locations (excluding MPLM).

3.2.2.3.1.2 RACK TO MODULE INTERFACE

On-Orbit racks shall provide the KBAR as the rack to module interface.

3.2.2.3.2 GROUND HANDLING ATTACHMENT

Not Applicable

3.2.2.3.3 MINIMUM RESONANT FREQUENCY

Not Applicable

3.2.2.3.4 DELETED

3.2.2.3.5 BONDING (MPLM ONLY)

For Each R/F location, the MPLM shall provide a bonding strap for class R bonding in accordance with SSP 30245, space Station Electrical Bonding Requirements.

3.2.2.3.6 ARIS RACK COMPATIBILITY

The MPLM shall accommodate ARIS in the launch configuration in up to 6 locations.

3.2.2.4 INDUCED ENVIRONMENTS

MPLM interfaces to the ISPR shall be capable of operation during and after exposure to any feasible combination of the following environments.

3.2.2.4.1 VIBRATION

3.2.2.4.1.1 LAUNCH ACOUSTICS

The MPLM shall impart an acoustic environment no greater than defined in Table 3.2.1.4.1.1-1, MPLM Internal Acoustic Noise Spectra.

3.2.2.4.1.2 RANDOM VIBRATION

MPLM interfaces to the ISPR shall be capable of operation during and after exposure to the random vibration environment defined in Table 3.2.1.4.1.2-1, MPLM Random Vibration Environment.

3.2.2.4.2 ACCELERATION

N/A

3.2.2.4.3 INTERFACE LOADS

Interface loads for launch and landing are the static, dynamic, and pressure loads exchanged between the module and the rack through the attach points A, B, C and D. Interface loads for ground handling are the static and dynamic loads transmitted from the rack to the GSE through attach points E, F, G and H. On-orbit interface loads are the static, dynamic and pressure loads exchanged between the module and the rack through the attach points A, B, C and D or C, D, I and J or I and J for a tilted rack. The MPLM shall be capable of accommodating the interface loads defined in Table 3.2.1.4.3-1, MPLM and Mechanical Ground Support Equipment Local Rack Attach Point Design Limit Loads (launch, landing, on-orbit and ground handling). NASDA Rack loads are TBC by using NASDA Racks.

4.0 INTERFACE VERIFICATION

There will be no requirements that require joint verification for this interface. Verification of requirements will be performed separately by the rack provider, and the element provider, according with the verification responsibility matrix reported in Table 4.0-1.

TABLE 4.0-1 INTERFACE VERIFICATION

PARAGRAPH NUMBER	VERIFICATION RESPONSIBILITY		
	RACK PROVIDER	ELEMENT PROVIDER	No VERIFICATION REQUIRED
1.0			X
1.1			X
1.2			X
1.3			X
2.0			X
3.0			X
3.1			X
3.1.1			X
3.1.1.1			X
3.1.1.2			X
3.1.1.3			X
3.1.1.4			X
3.1.2			X
3.1.2.1			X
3.1.2.2			X
3.1.3			X
3.1.3.1			X
3.1.3.2			X
3.2			X
3.2.1			X
3.2.1.1			X
3.2.1.1.1	X		X
3.2.1.1.2	X		
3.2.1.2	X		
3.2.1.3			
3.2.1.3.1	X		
3.2.1.3.2	X		
3.2.1.3.3	X		
3.2.1.3.4	X		
3.2.1.4			
3.2.1.4.1			X
3.2.1.4.1.1	X		
3.2.1.4.1.2	X		
3.2.1.4.2	X		
3.2.1.4.3	X		
3.2.1.4.4	X		
3.2.2			X
3.2.2.1			X
3.2.2.1.1		X (I) *	
3.2.2.1.2		X (I) *	
3.2.2.2		X	
3.2.2.3			X

PARAGRAPH NUMBER	VERIFICATION RESPONSIBILITY		
	RACK PROVIDER	ELEMENT PROVIDER	No VERIFICATION REQUIRED
3.2.2.3.1		x (I) *	
3.2.2.3.2			x
3.2.2.3.3			x
3.2.2.3.4			x
3.2.2.3.5		x (T) *	
3.2.2.4			x
3.2.2.4.1			x
3.2.2.4.1.1		x	
3.2.2.4.1.2		x	
3.2.2.4.2			x
3.2.2.4.3		x	
4.0			x
LEGEND: (I) = INSPECTION (A) = ANALYSIS (T) = TEST * = Only ESA to verify these requirements for APM. Verification method applicable to ESA only.			

APPENDIX A ABBREVIATIONS AND ACRONYMS

A.1 ABBREVIATIONS AND ACRONYMS

ASI	Agenzia Spaziale Italiana (Italian Space Agency)
dB	Decibel
g	acceleration due to gravity
g _{rms}	root mean squared acceleration
GSE	Ground Support Equipment
Hz	Hertz
ICD	Interface Control Document
ISPR	International Standard Payload Rack
kg	Kilogram
MPLM	Mini Pressurized Logistics Module
mm	millimeters
N/A	Not Applicable
N/m ²	Newton per square meter
Oct	Octave
SI	International System
RAD	radians
ref.	reference
sec	second

APPENDIX B INDEX OF TBDS AND TBCs

<u>TBD No.</u>	<u>Page No.</u>	<u>Current Paragraph/Figure/ Table</u>	<u>Status</u>
1	3-12	Paragraph 3.2.1.4.4	Closed
3	3-12	Paragraph 3.2.1.4.4	Closed
6	4-16	Paragraph 4.0	Closed
TBC #1	3-17	Paragraph 3.2.1.4.2	Closed
TBC #2	3-18	Paragraph 3.2.1.4.3	Closed
TBC #3	3-29	Table 3.2.1.4.3-1	Closed
TBC #4	3-29	Table 3.2.1.4.3-1	Closed