

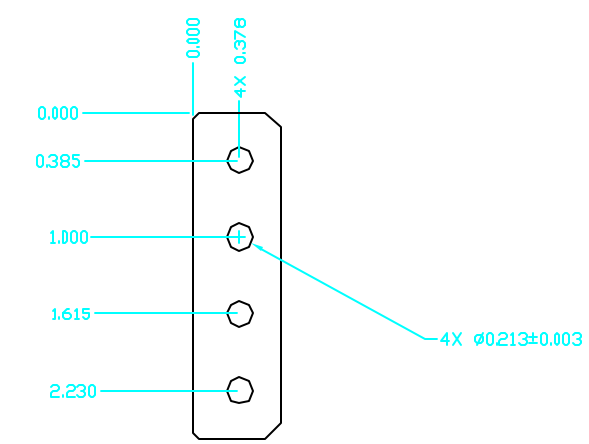
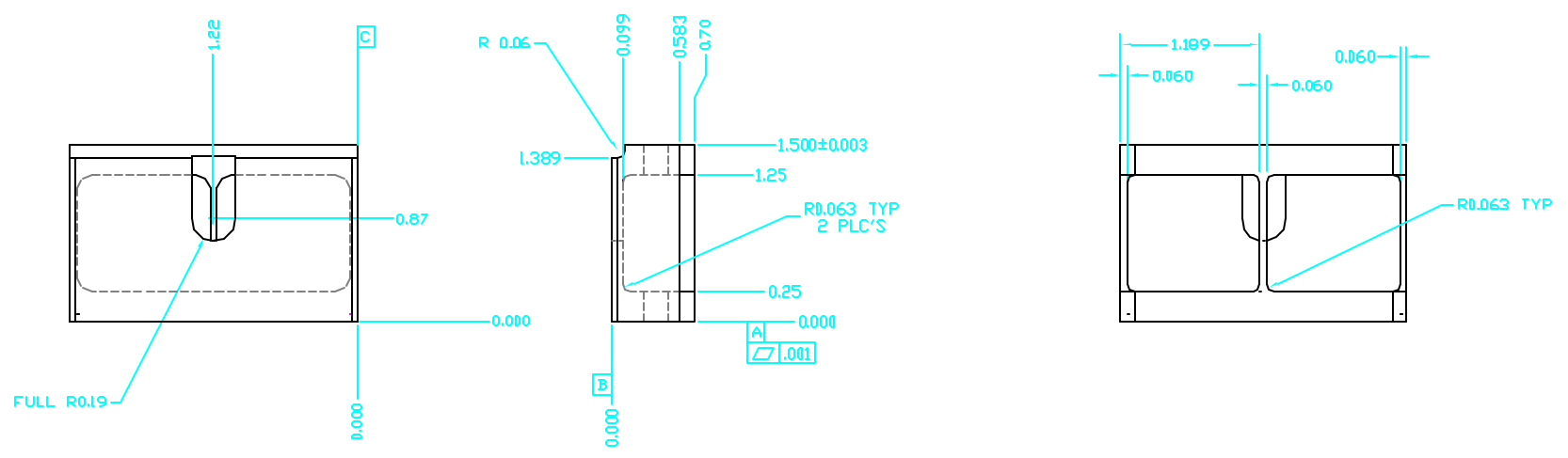
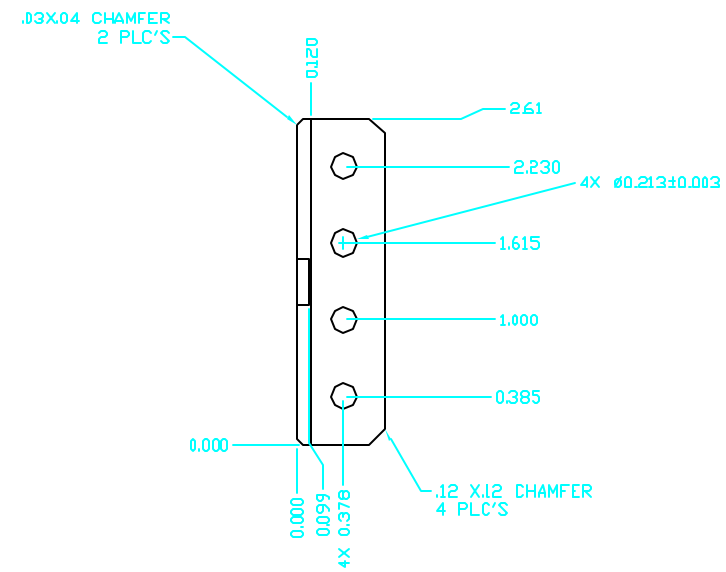
4

3

2

1

| REVISIONS | | | | | |
|-----------|-----|----------------------------|---------|----------|------|
| ECO | REV | DESCRIPTION | CHECKED | APPROVED | DATE |
| 50-000 | 01 | INITIAL RELEASE FOR QUOTES | | | |
| 50-020 | A | ADD CENTER RIB AND RADIUS. | | | |



50-10101.01 AS SHOWN
 50-10101.02 OPPOSITE

- NOTES:
- PART NUMBERS 50-10101.01 AND 50-10101.02 ARE TO BE MADE AS A MATCHED SET. THE OVERALL HEIGHT OF 1.500 ±.003 MUST BE WITHIN .001 OF EACH OTHER. THE OVERALL FLATNESS AND PARALELLISM BETWEEN THE TWO TOP SURFACES MUST BE WITHIN ±.001.
 - DEBURR AND BREAK SHARP EDGES.
 - PARTS TO BE CLEAN AND FREE OF GREASE, OILS AND VISIBLE PARTICULATES.
 - BAG AND TAG AS A SERIALIZED MATCHED SET STARTING WITH S/N 001.

| | | | | | | |
|---------------|---------|--|----------|--------------|---|----------|
| | | UNLESS OTHERWISE SPECIFIED DIMENSIONS ARE IN INCHES TOLERANCE: ANGLES +/- 1° 3 PLACE DECIMALS +/- .005 2 PLACE DECIMALS +/- .01 | NAME | DATE | Massachusetts Institute of Technology Center for Space Research PICTURE | |
| | | | DRAWN | M. SMITH | | |
| | | MATERIAL TORLON 30% GLASS REINFORCED 4XG | CHECKED | | ISOLATION RAIL, SET | |
| | | | APPROVED | | | |
| | | FINISH | RELEASED | | SIZE | C |
| NEXT ASSEMBLY | USED ON | | SCALE | 1:1 | PSCN NO. | 80230 |
| APPLICATION | | | CAD FILE | XXXXXXXXX_rA | DWG NO. | 50-10101 |
| | | | | | REV | A |
| | | | | | SHEET | 1 OF 1 |

4

3

2

1