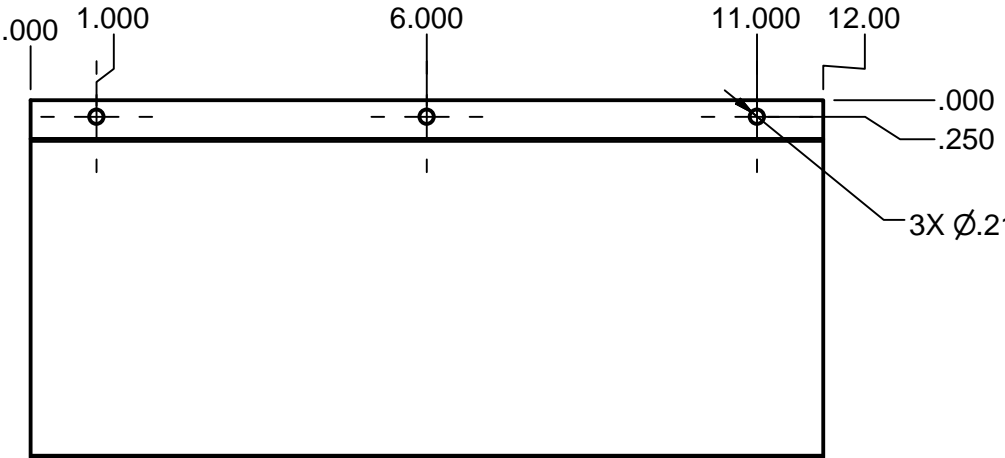
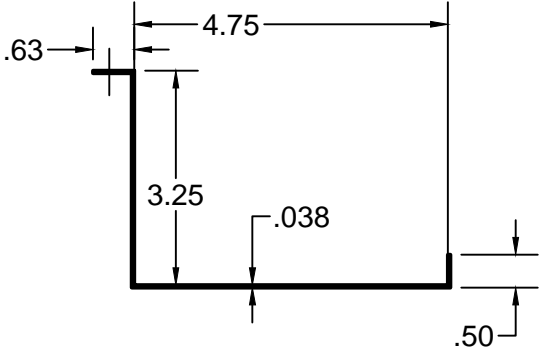
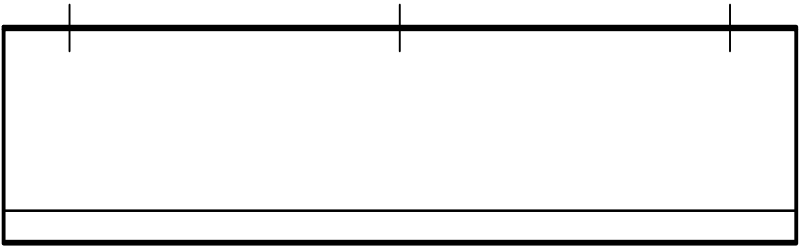
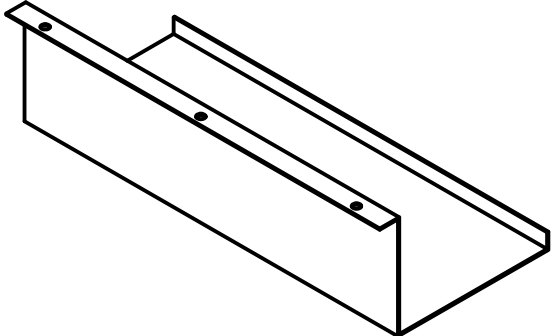


REVISION HISTORY				
ZONE	REV	DESCRIPTION	DATE	APPROVED
1	A	Released for Production	1/18/2008	SJB



MATERIAL: .038 GALVANEAL

NOTES:
POWDER COAT WHITE ALL OVER
QTY: 2 PER ASSEMBLY



Dimensions are in inches. Tolerances are: 0.X ± 0.1, 0.XX ± 0.01, 0.XXX ± 0.005 Unless otherwise specified			
DRAWN BY	DATE	TITLE	
Art Haines	01/08/2008	LEG, BEAMFORMER	
CHECKED BY	DATE	SIZE	DRAWING NUMBER
SJB	10/20/2011	A	BF-03
APPROVED BY	DATE	SCALE	SHEET
SJB	10/20/2011	NTS	1 of 1