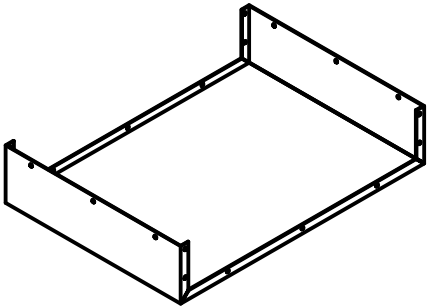
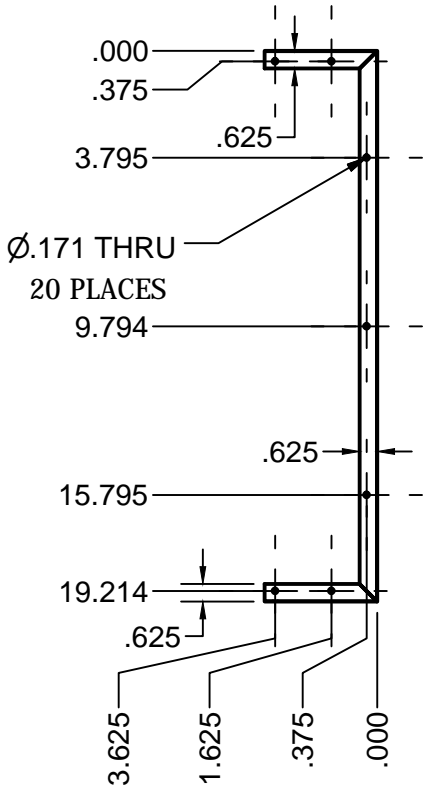
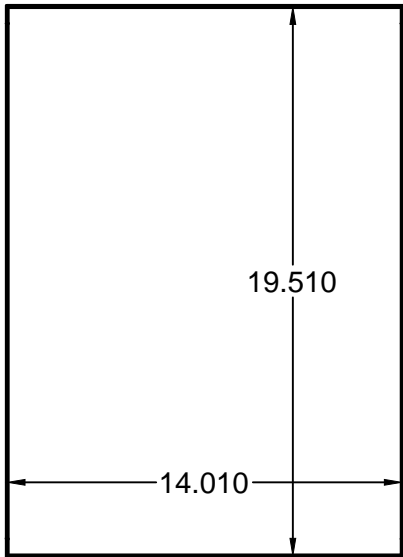
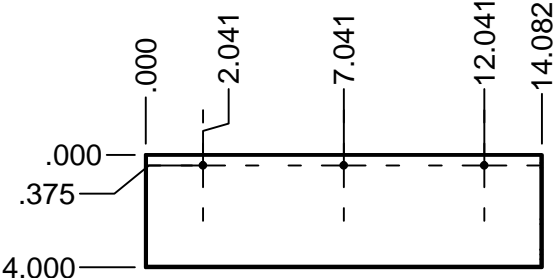


REVISION HISTORY				
ZONE	REV	DESCRIPTION	DATE	APPROVED
1	A	Released for Production	1/14/2008	SJB
1	B	19.510 was 19.493 and 14.01 was 14.00	2/25/2008	SJB



MATERIAL: .036 GALVANEAL STEEL

NOTES:  
POWDER COAT OUTSIDE WHITE  
MASK MATING SURFACES  
OVERSPRAY OTHERWISE OK



Dimensions are in inches. Tolerances are: 0.X ± 0.1, 0.XX ± 0.01, 0.XXX ± 0.005 Unless otherwise specified			
DRAWN BY	DATE	TITLE	
Art Haines	1/18/2008	TOP, BEAMFORMER	
CHECKED BY	DATE	SIZE	DRAWING NUMBER
SJB	10/20/2011	A	BF-02
APPROVED BY	DATE	SCALE	SHEET
SJB	10/20/2011	NTS	1 of 1