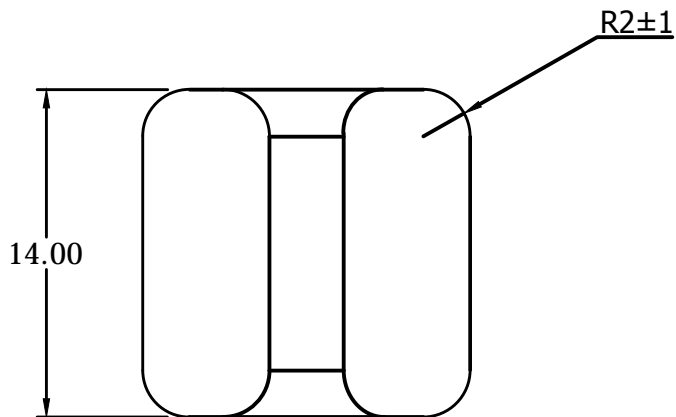
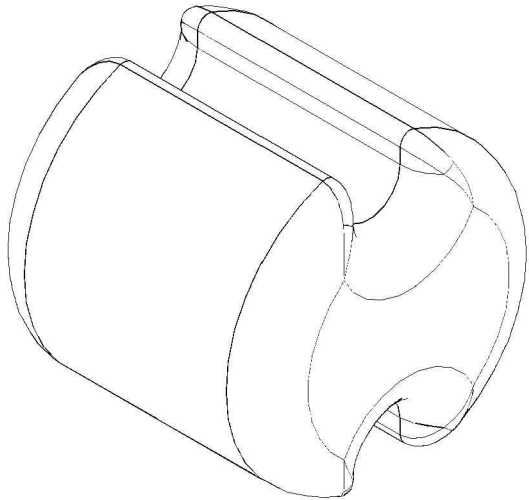
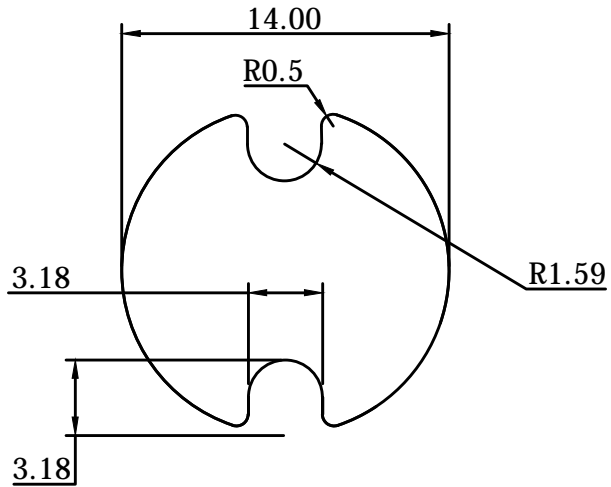



REVISION HISTORY				
ZONE	REV	DESCRIPTION	DATE	APPROVED
1	A	Released for Production	1/27/2007	SJB
1	B	Strain Relief molded to cables	9/04/2009	SJB
1	C	Complete Redesign	10/14/2011	SJB



MATERIAL: WHITE uV RESISTANT PVC

Dimensions are in millimeters. Tolerances are: ± 0.1 mm				
Unless Otherwise Specified				
DRAWN BY	DATE	STRAIN RELIEF, CABLE		
Art Haines	10/14/2011	SIZE	DRAWING NUMBER	REV
CHECKED BY	DATE	A	MWA-012	C
SJB	10/14/2011	SCALE	SHEET	
APPROVED BY	DATE	NTS	1 of 1	
SJB	10/14/2011			