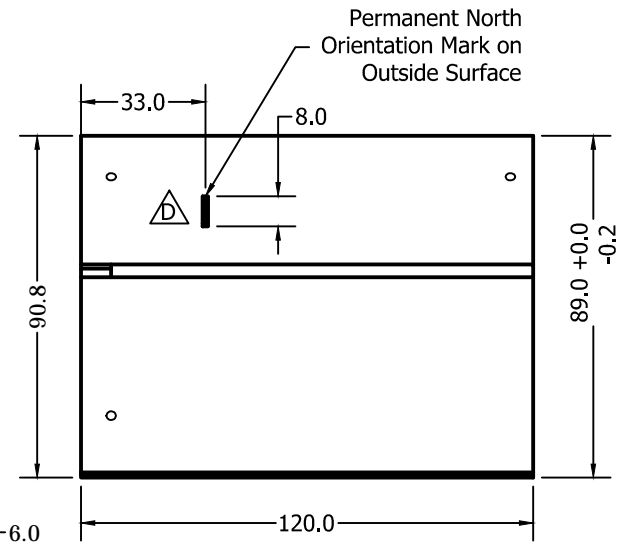
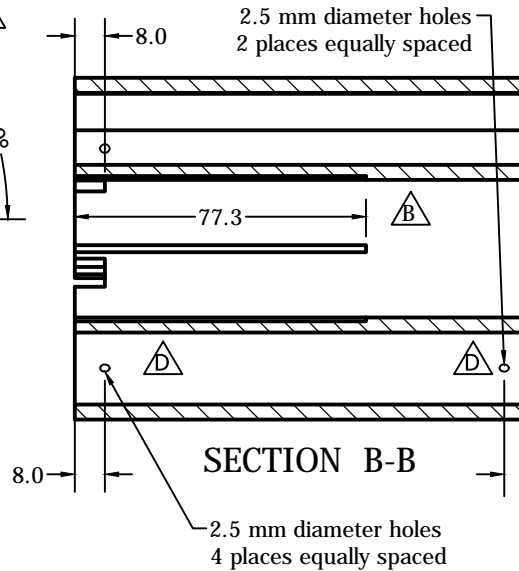
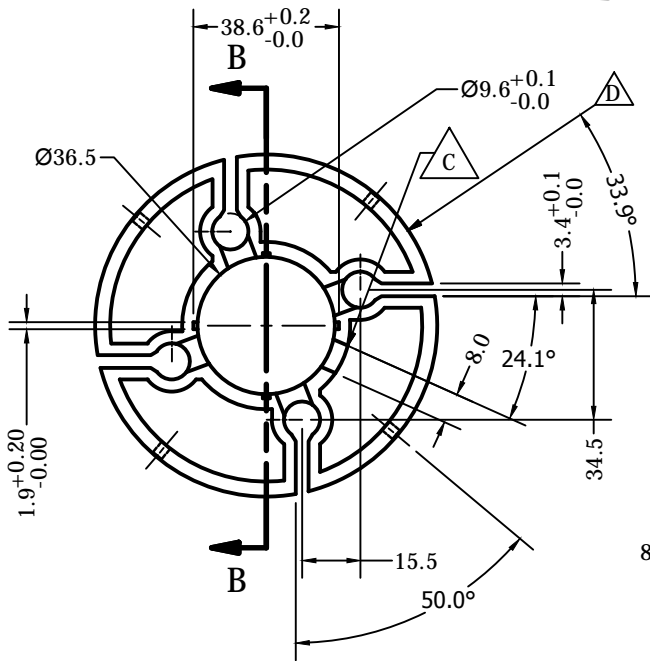


REVISION HISTORY				
ZONE	REV	DESCRIPTION	DATE	APPROVED
1	A	Released for Production	1/5/2007	SJB
2A	B	77.3 was 88.9	1/10/2007	SJB
1A	C	8.0 x 8.0 mm slot added	06/07/2011	SJB
2A-B	D	2 Bottom Cap holes & North Mark added, 2.5mm was 3mm	10/11/2011	SJB



MATERIAL: WHITE PVC uV RESISTANT

NOTES:  
1. SEE SOLID MODEL FOR OTHER DIMENSIONS

Dimensions are in millimeters. Tolerances are: ± 0.2 mm			
Unless Otherwise Specified			
DRAWN BY	DATE	TITLE	
Art Haines	1/2/2007	MOLDED HUB	
CHECKED BY	DATE	SIZE	DRAWING NUMBER
SJB	10/11/2011	A	MWA-010
APPROVED BY	DATE	SCALE	SHEET
SJB	10/11/2011	NTS	1 of 1