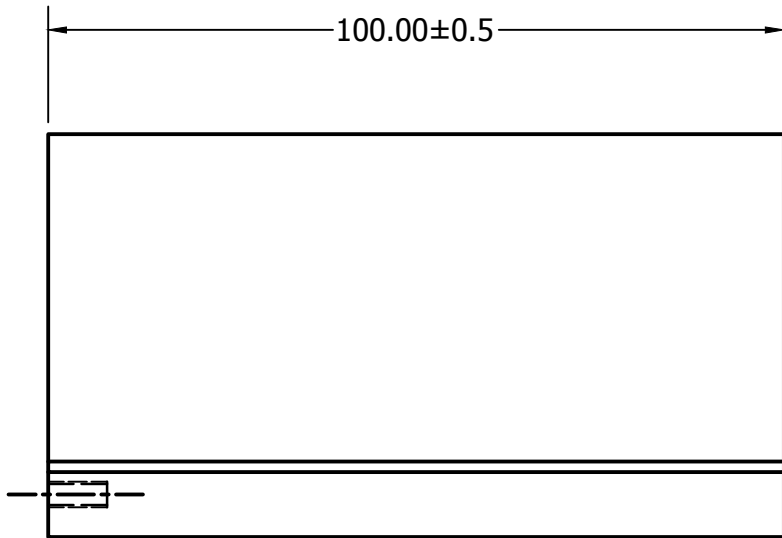
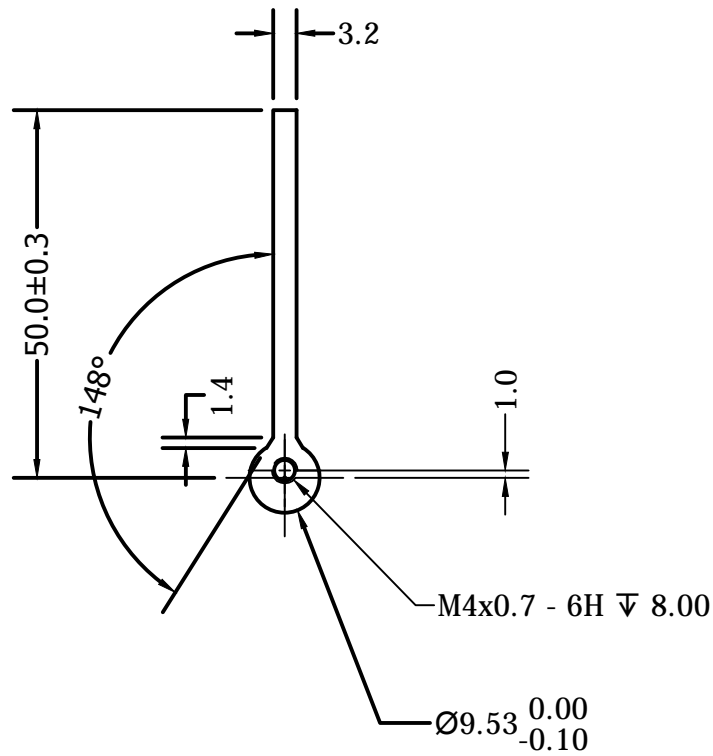


REVISION HISTORY				
ZONE	REV	DESCRIPTION	DATE	APPROVED
1	A	Released for production	12/20/2006	SJB
B1	B	75.0 x 18.0 mm CUT OUT ADDED	7/11/2007	SJB
A2	C	Added M4 Thread	8/11/2009	SJB
B1	D	Removed 75.0x18.0mm Cut Out	10/11/2011	SJB



MATERIAL: 6063-T5 Aluminum

Dimensions are in millimeters. Tolerances are: ± 0.1 mm				
Unless Otherwise Specified				TITLE <b>Key</b>
DRAWN BY <b>Art Haines</b>	DATE 11/06/2006	SIZE <b>A</b>	DRAWING NUMBER <b>MWA-005</b>	REV <b>D</b>
CHECKED BY <b>SJB</b>	DATE 10/10/2011	SCALE <b>NTS</b>	SHEET <b>1 of 1</b>	
APPROVED BY <b>SJB</b>	DATE 10/10/2011			