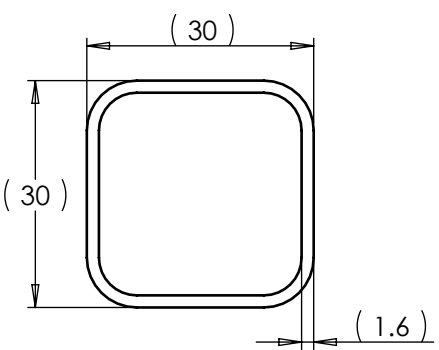



SPECIFICATIONS	
UNITS	Millimeters
TOLERANCES	± 0.1 mm Unless stated
MATERIAL	30 x 30 x 1.6 Galv SHS
MACHINED FINISH	None Specified
COMPONENT FINISH	Hot Dip Galvanized

ⓐ
A



DETAIL A
SCALE 1:1

 POSEIDON SCIENTIFIC INSTRUMENTS <small>1/95 QUEEN VICTORIA ST, FREMANTLE WA 6160. PHONE (08) 9430 6639 FAX (08) 9335 4650</small>			
DRAWING NAME			
MWAM041 Mounting Bar			
SIZE	DRAWN BY	DRAWING FILENAME	
A4	C.Coleman	MWAM041 Mounting Bar.SLDDRW	
SCALE	DATE	COMPONENT FILENAME	REV
1:10	5/01/2010	MWAM041 Mounting Bar.SLDPRT	A
SHEET			
1 of 1			