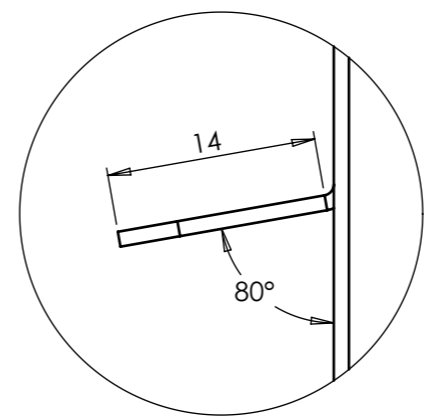
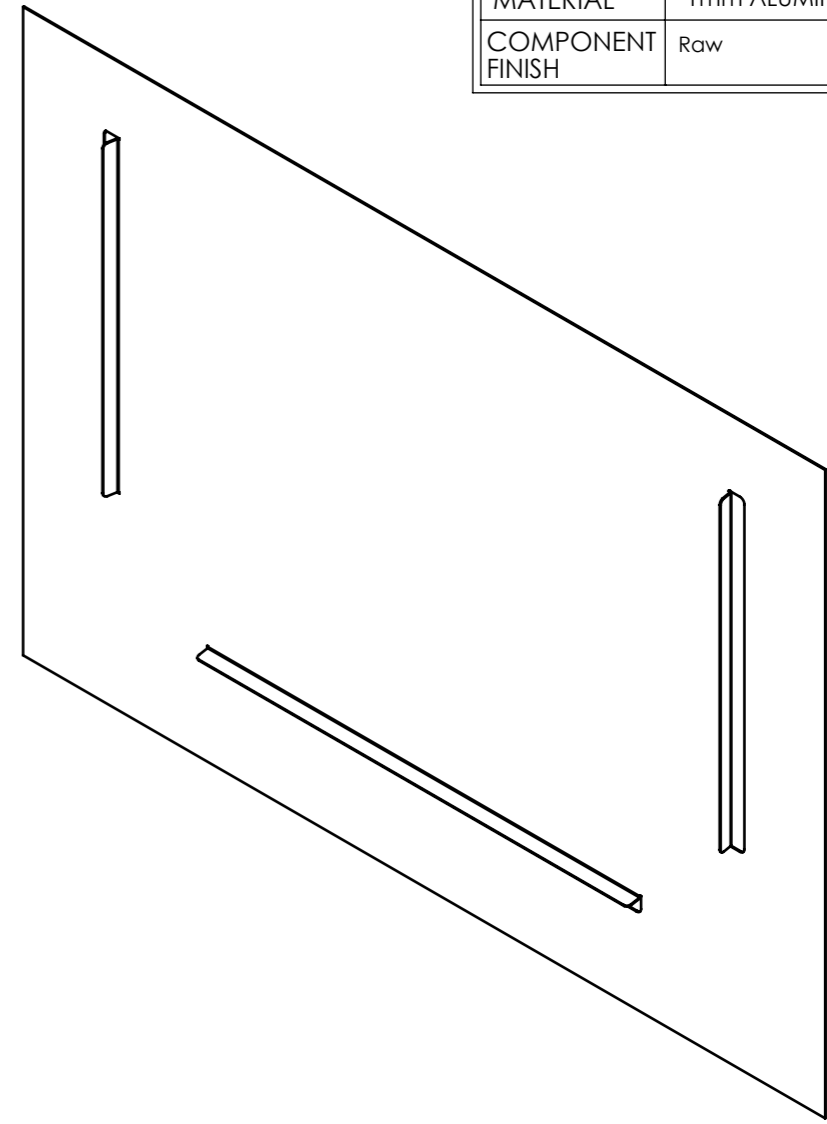
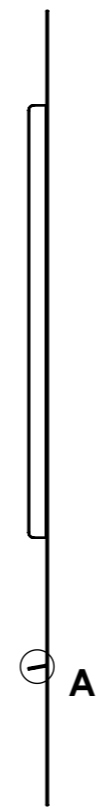
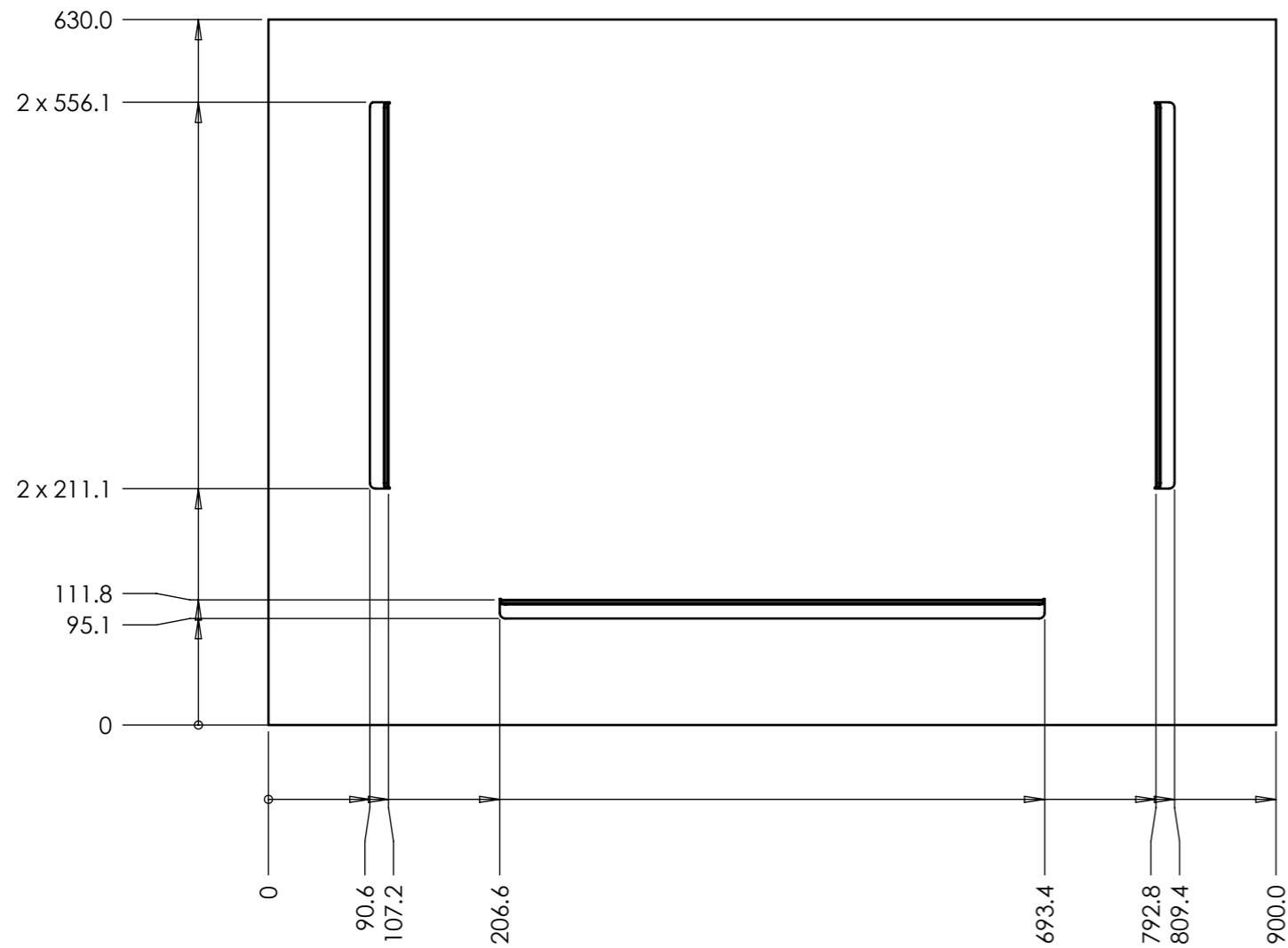
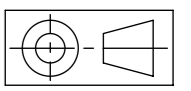
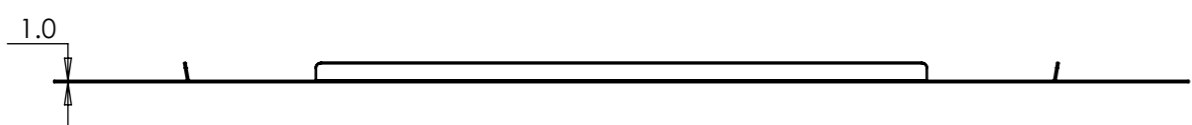



SPECIFICATIONS	
UNITS	MILLIMETERS
TOLERANCES	± 0.1 mm UNLESS STATED
MATERIAL	1mm ALUMINIUM SHEET
COMPONENT FINISH	Raw



DETAIL A
SCALE 2 : 1
Used in 3 locations



 POSEIDON SCIENTIFIC INSTRUMENTS <small>17 QUEEN VICTORIA ST, FREMANTLE WA 6160 PH: (08) 9430 6639 FAX (08) 9335 4650</small>			
DRAWING NAME			
MWAM040 Insulation Protection Sheet			
SIZE	DRAWN BY	DRAWING FILENAME.	
A3	C.Coleman	MWAM040 Insulation Protection Sheet.SLDDRW	
SCALE	DATE	COMPONENT NAME	REV
1:6	5/01/2010	MWAM040 Insulation Protection Sheet.SLDPRT	A
SHEET			
1 of 1			