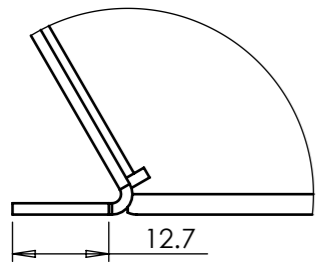
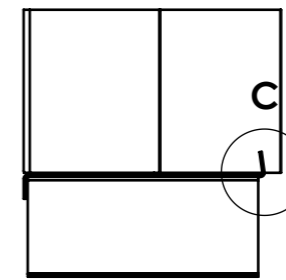
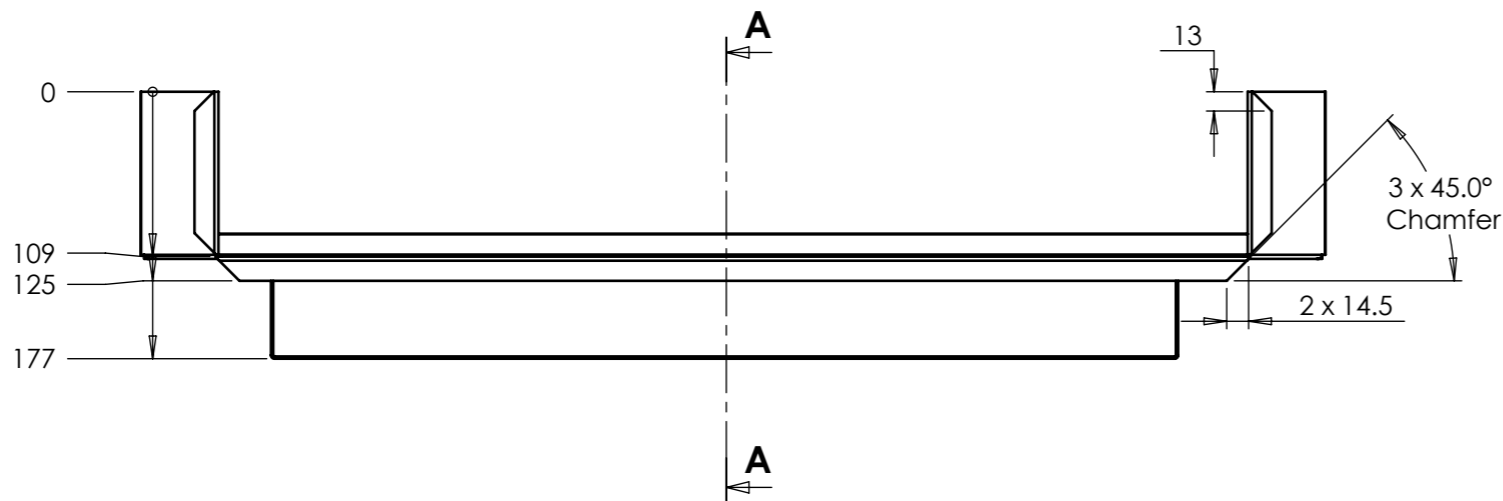
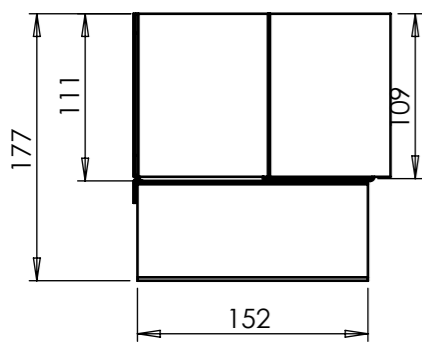
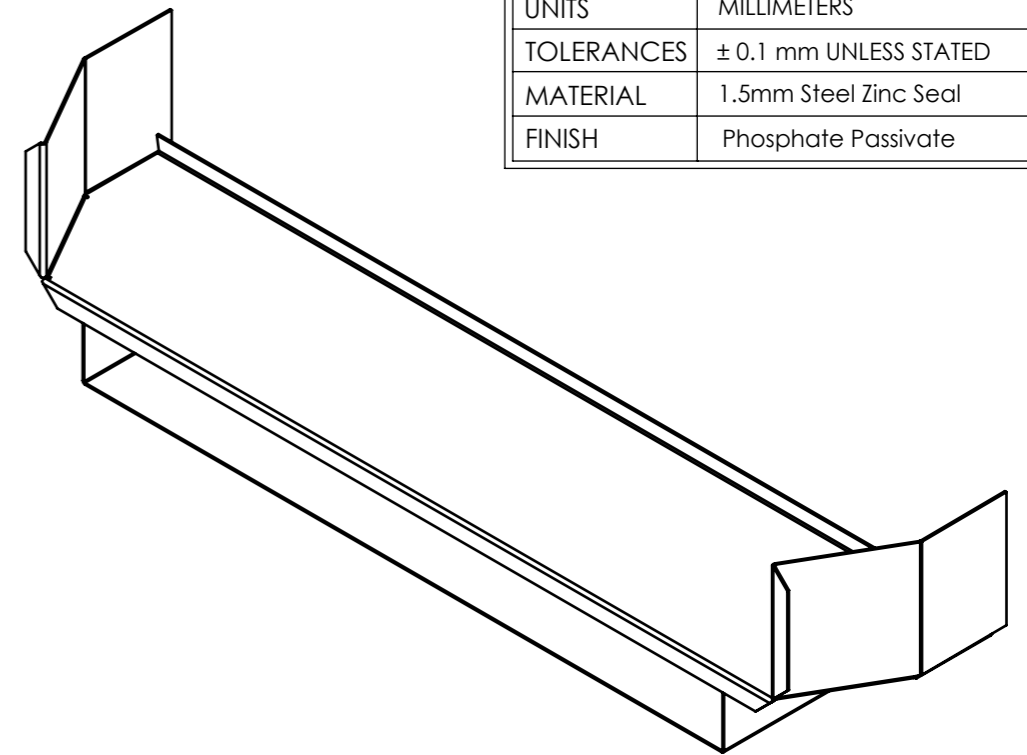


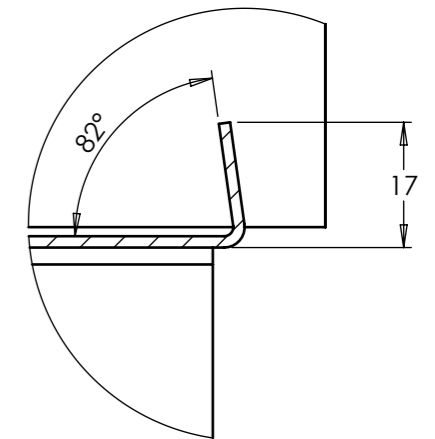
SPECIFICATIONS	
UNITS	MILLIMETERS
TOLERANCES	± 0.1 mm UNLESS STATED
MATERIAL	1.5mm Steel Zinc Seal
FINISH	Phosphate Passivate



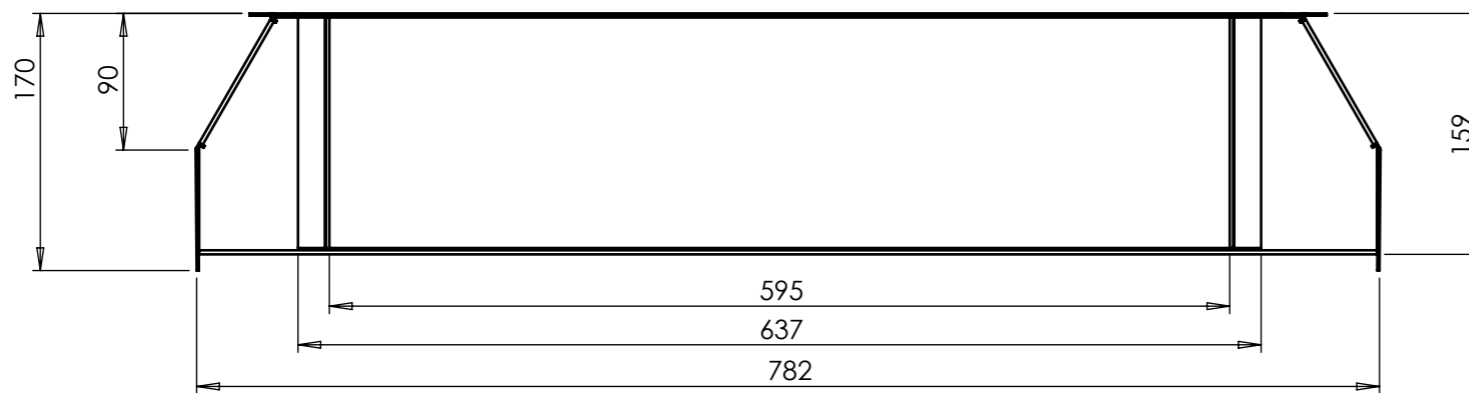
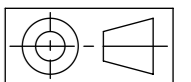
DETAIL B
SCALE 1 : 1




SECTION A-A

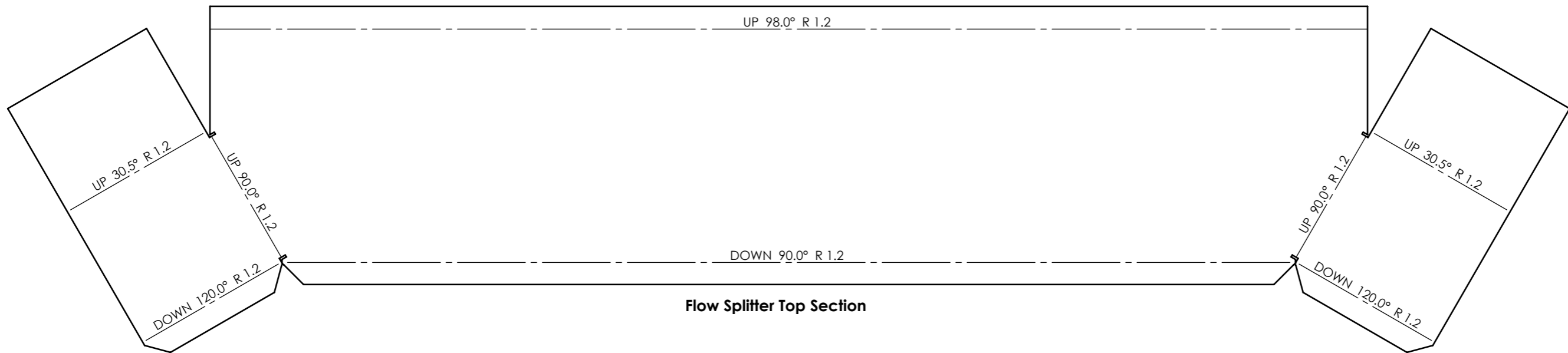


DETAIL C
SCALE 1 : 1

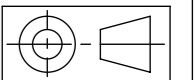


 PSI POSEIDON SCIENTIFIC INSTRUMENTS <small>17 QUEEN VICTORIA ST, FREMANTLE WA 6160 PH: (08) 9430 6639 FAX (08) 9335 4650</small>			
DRAWING NAME			
MWAM013 Flow Splitter			
SIZE	DRAWN BY	DRAWING FILENAME.	
A3	C.Coleman	MWAM013 Flow splitter.SLDDRW	
SCALE	DATE	COMPONENT NAME	REV
1:5	5/01/2010	MWAM013 Flow Splitter.SLDPRT	A
SHEET			
1 of 2			


SPECIFICATIONS	
UNITS	MILLIMETERS
TOLERANCES	± 0.1 mm UNLESS STATED
MATERIAL	1.5mm Steel Zinc Seal
FINISH	Phosphate Passivate



Flow Splitter Bottom Section



Note: Suggested two piece construction configuration

 POSEIDON SCIENTIFIC INSTRUMENTS <small>17 QUEEN VICTORIA ST, FREMANTLE WA 6160 PH: (08) 9430 6639 FAX (08) 9335 4650</small>			
DRAWING NAME			
MWAM013 Flow Splitter			
SIZE	DRAWN BY	DRAWING FILENAME.	
A3	C.Coleman	MWAM013 Flow splitter.SLDDRW	
SCALE	DATE	COMPONENT NAME	REV
1:3	5/01/2010	Flow Splitter Bottom/Top Sections	A
SHEET			
2 of 2			