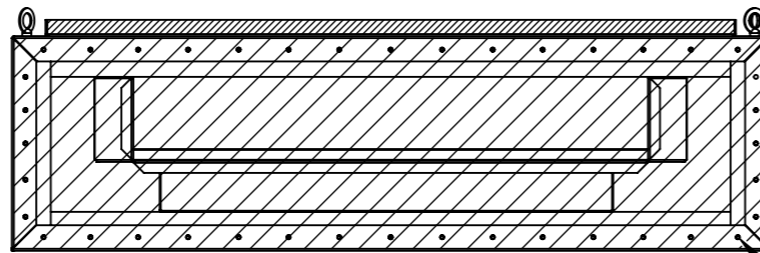
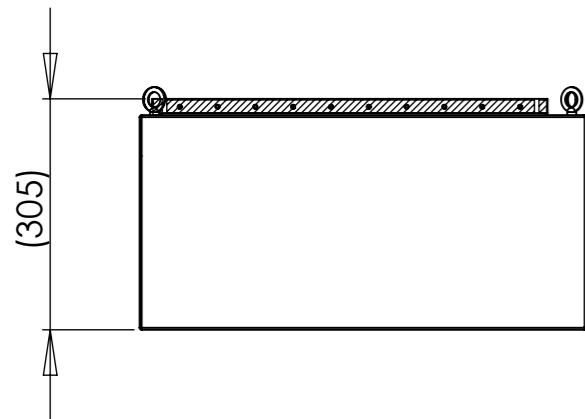
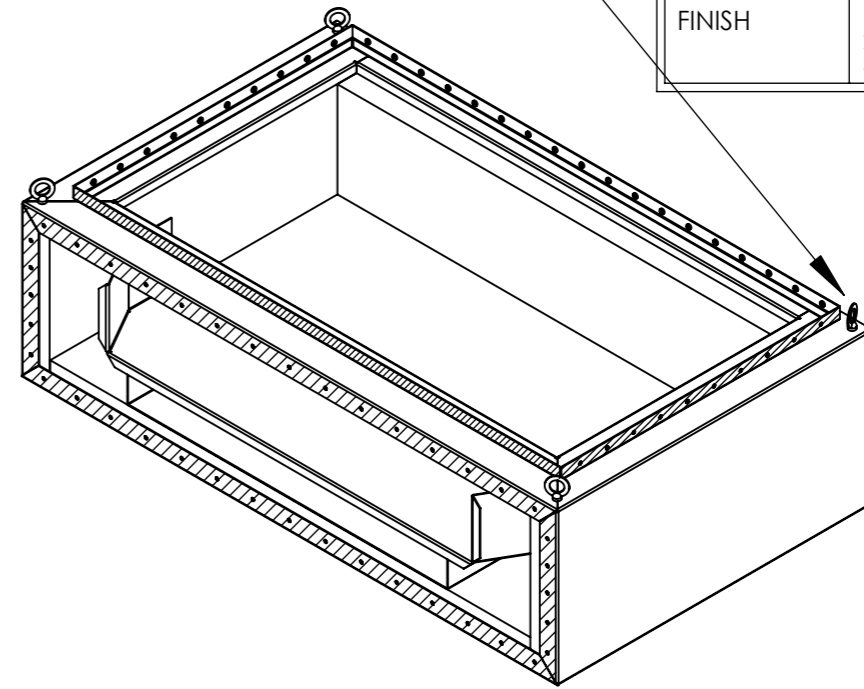
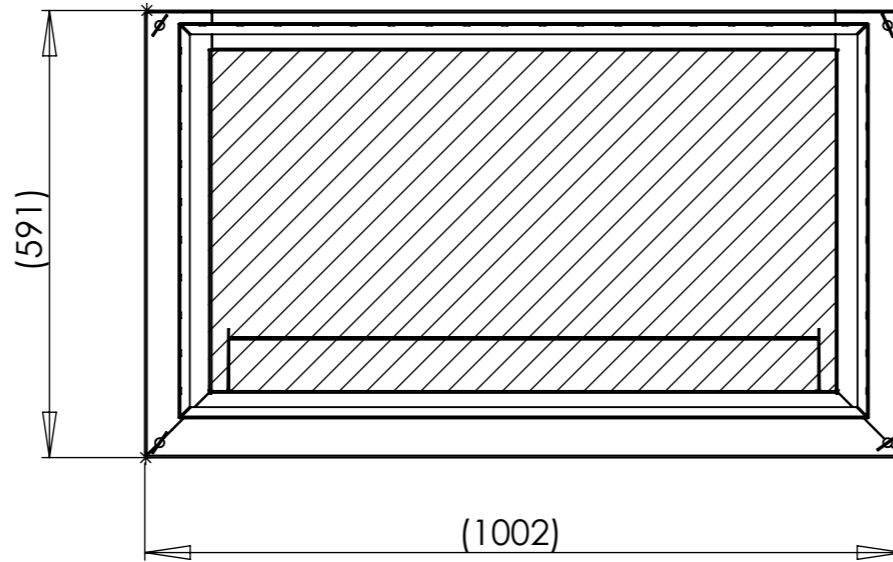
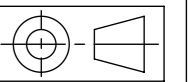
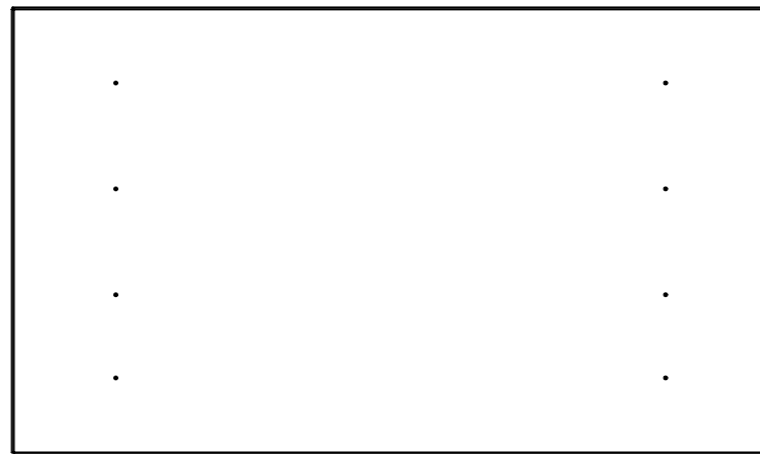


M6 x 16 Bolts with 33mm washers welded to head.
M6 nuts welded inside enclosure in 4 places,
supported by additional 1.5mm plate.

SPECIFICATIONS	
UNITS	MILLIMETERS
TOLERANCES	± 0.1 mm UNLESS STATED
MATERIAL	1mm steel, zinc seal
FINISH	1. Phosphate passivated 2. Mask where indicated 3. Powder coat white



M4 Clinch Nuts inserted in all holes.

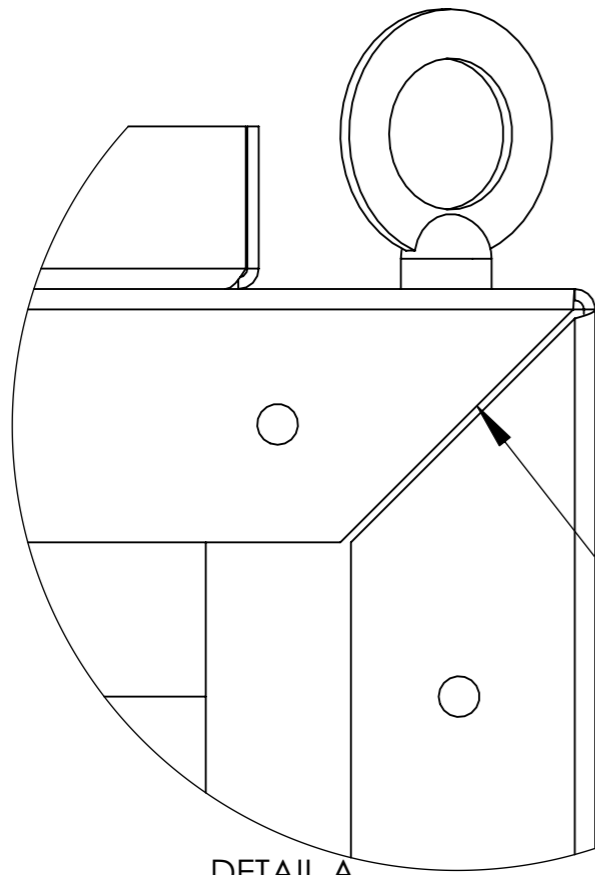


NOTE:
1. Inside of enclosure is not powder coated - prevent overspray on interior
2. Masked areas shown as crosshatched

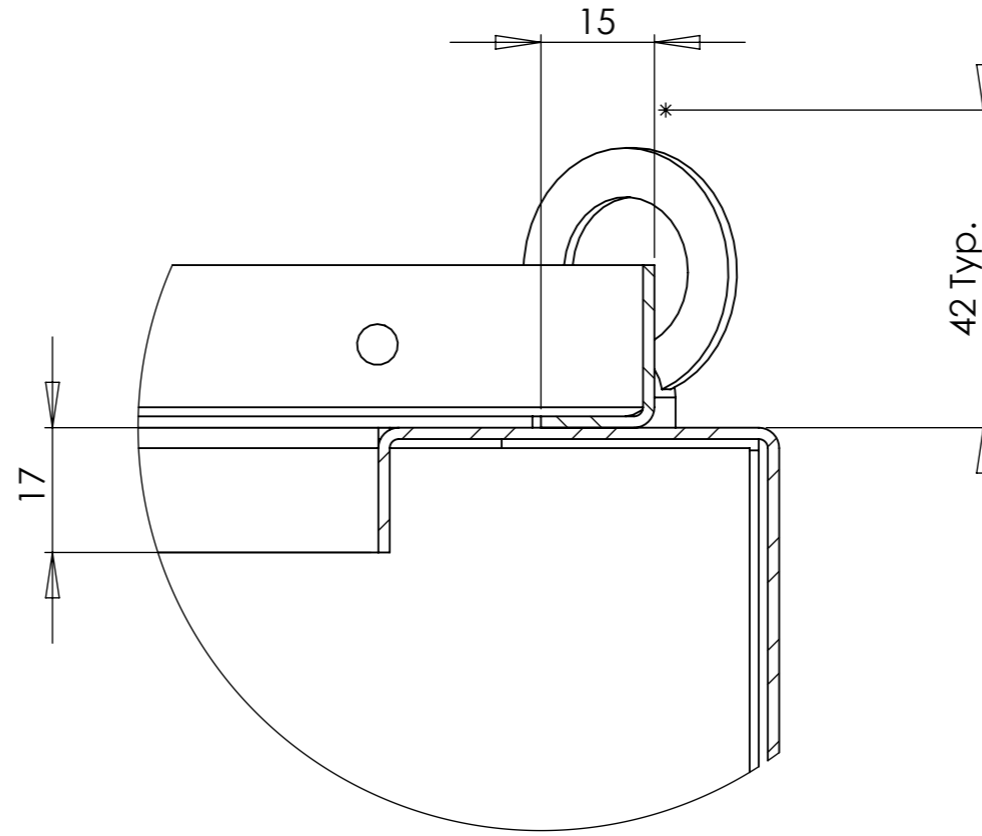
PSI POSEIDON SCIENTIFIC INSTRUMENTS
17 QUEEN VICTORIA ST, FREMANTLE WA 6160 PH: (08) 9430 6639 FAX (08) 9335 4650

DRAWING NAME			
MWAM002 AC Enclosure Sheet Metal			
SIZE	DRAWN BY	DRAWING FILENAME.	
A3	I HART	MWAM002 AC Enclosure Sheet metal.SLDDRW	
SCALE	DATE	COMPONENT NAME	REV
1:10	5/01/2010	MWAM002 AC Enclosure.SLDPRT	A
SHEET			
1 of 5			

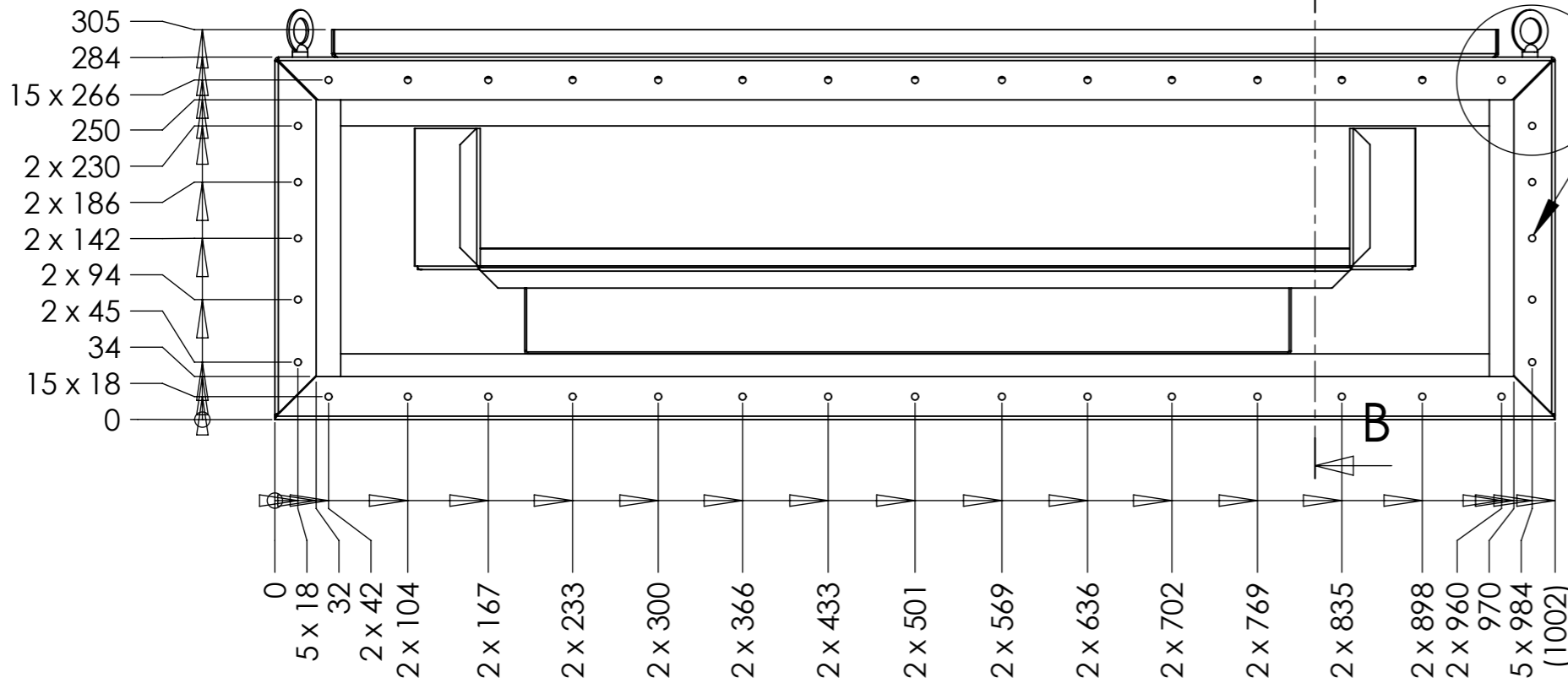
SPECIFICATIONS	
UNITS	MILLIMETERS
TOLERANCES	± 0.1 mm UNLESS STATED
MATERIAL	1mm Steel Zinc Seal
FINISH	1. Phosphate passivate 2. Mask where indicated 3. Powder coat white



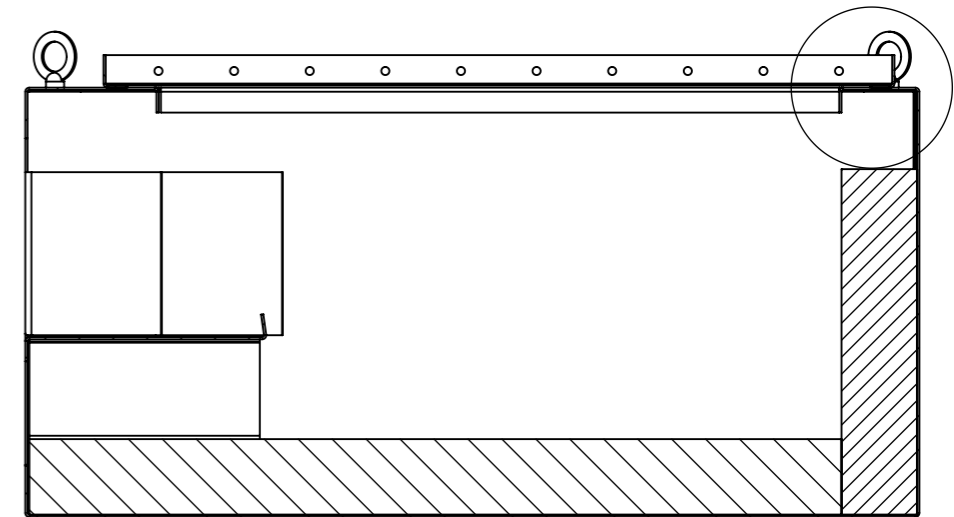
DETAIL A
SCALE 1 : 1



DETAIL C
SCALE 1 : 1



Insert M4 self clinching nuts, 40 places inside



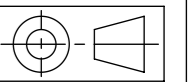
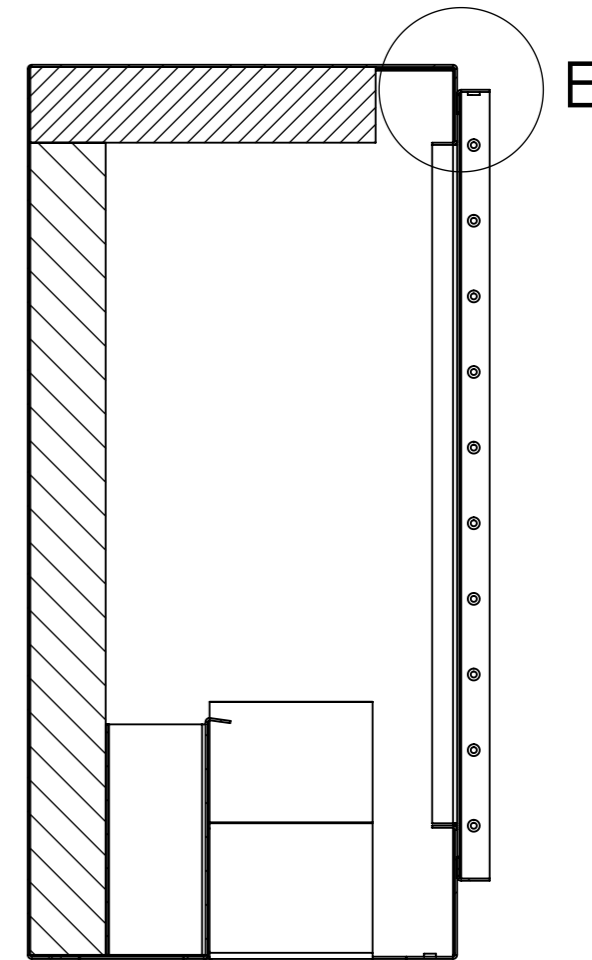
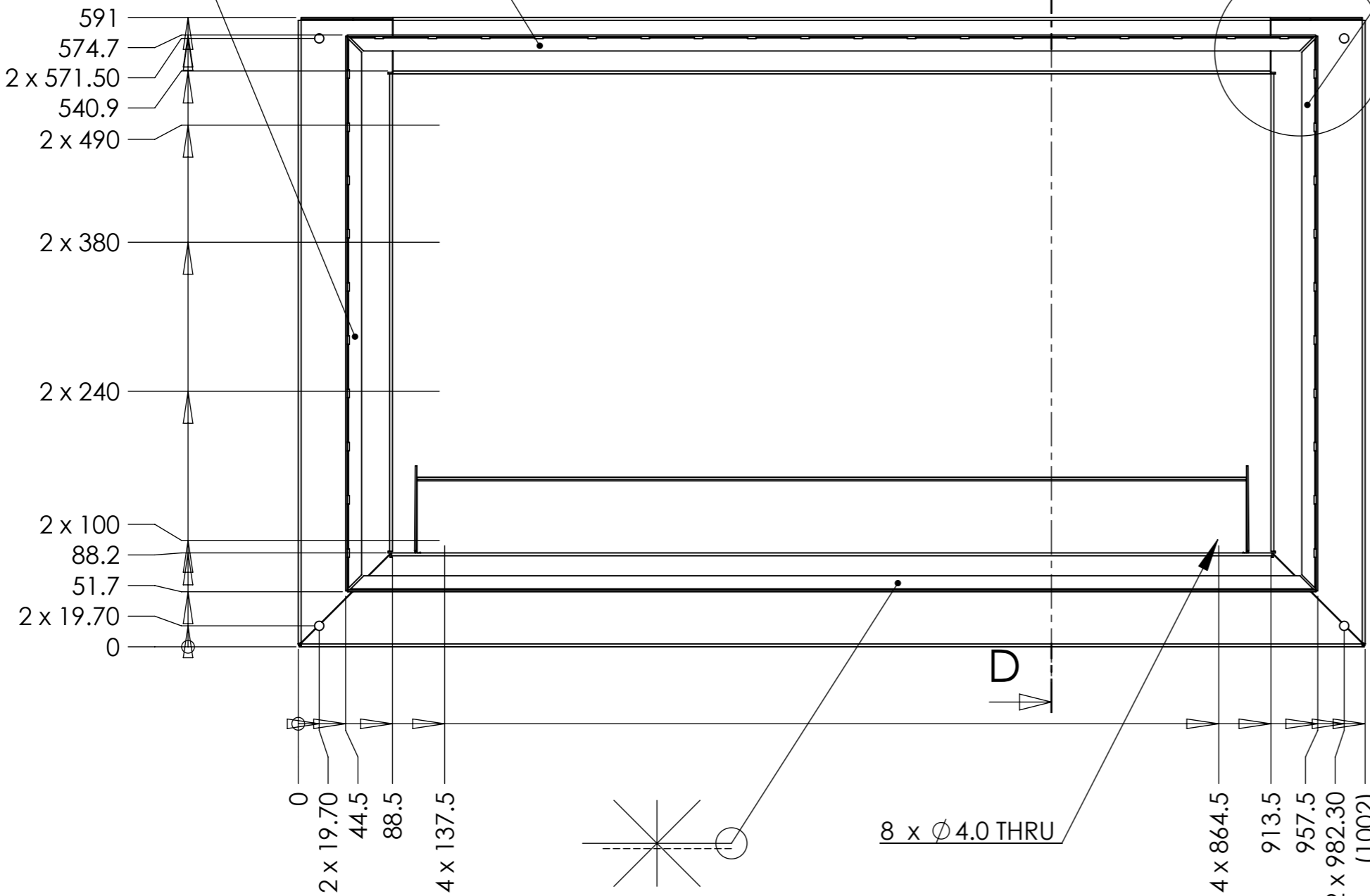
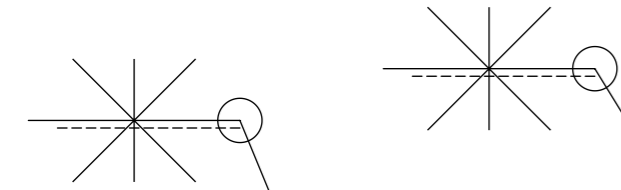
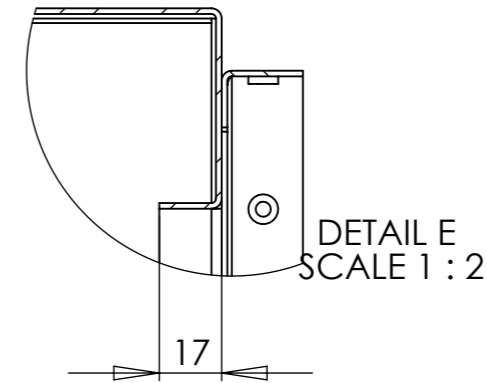
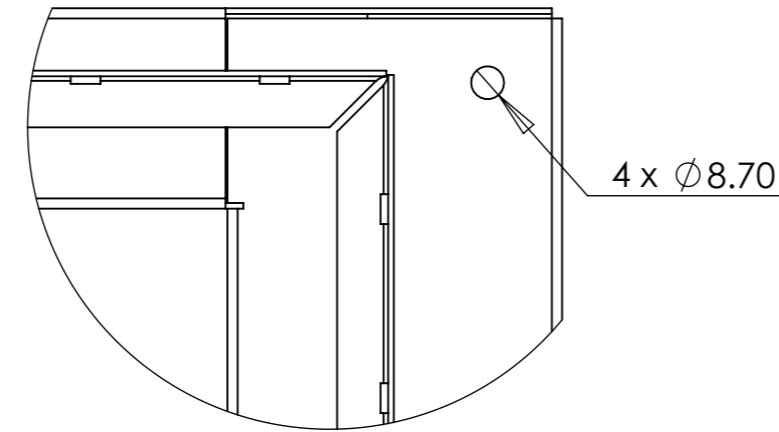
SECTION B-B

PSI POSEIDON SCIENTIFIC INSTRUMENTS
17 QUEEN VICTORIA ST, FREMANTLE WA 6160 PH: (08) 9430 6639 FAX (08) 9335 4650

DRAWING NAME
MWAM002 AC Enclosure Sheet Metal

SIZE A3	DRAWN BY I HART	DRAWING FILENAME. MWAM002 AC Enclosure Sheet metal.SLDDRW	
SCALE 1:5	DATE 5/01/2010	COMPONENT NAME MWAM002 AC Enclosure.SLDPRT	REV A
SHEET 2 of 5			

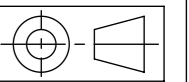
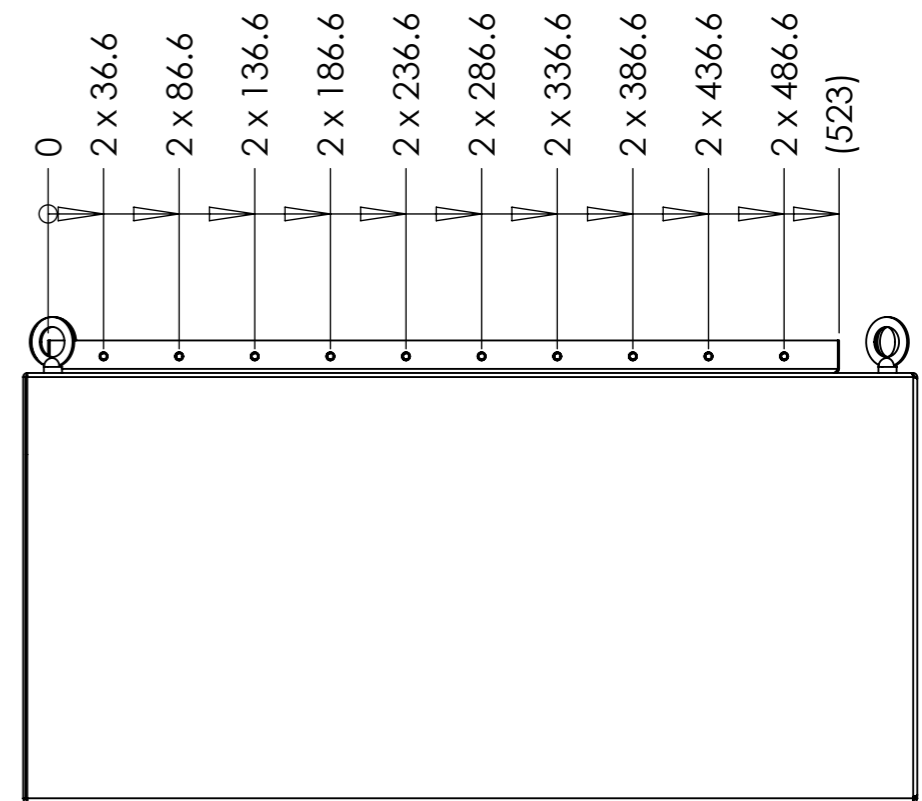
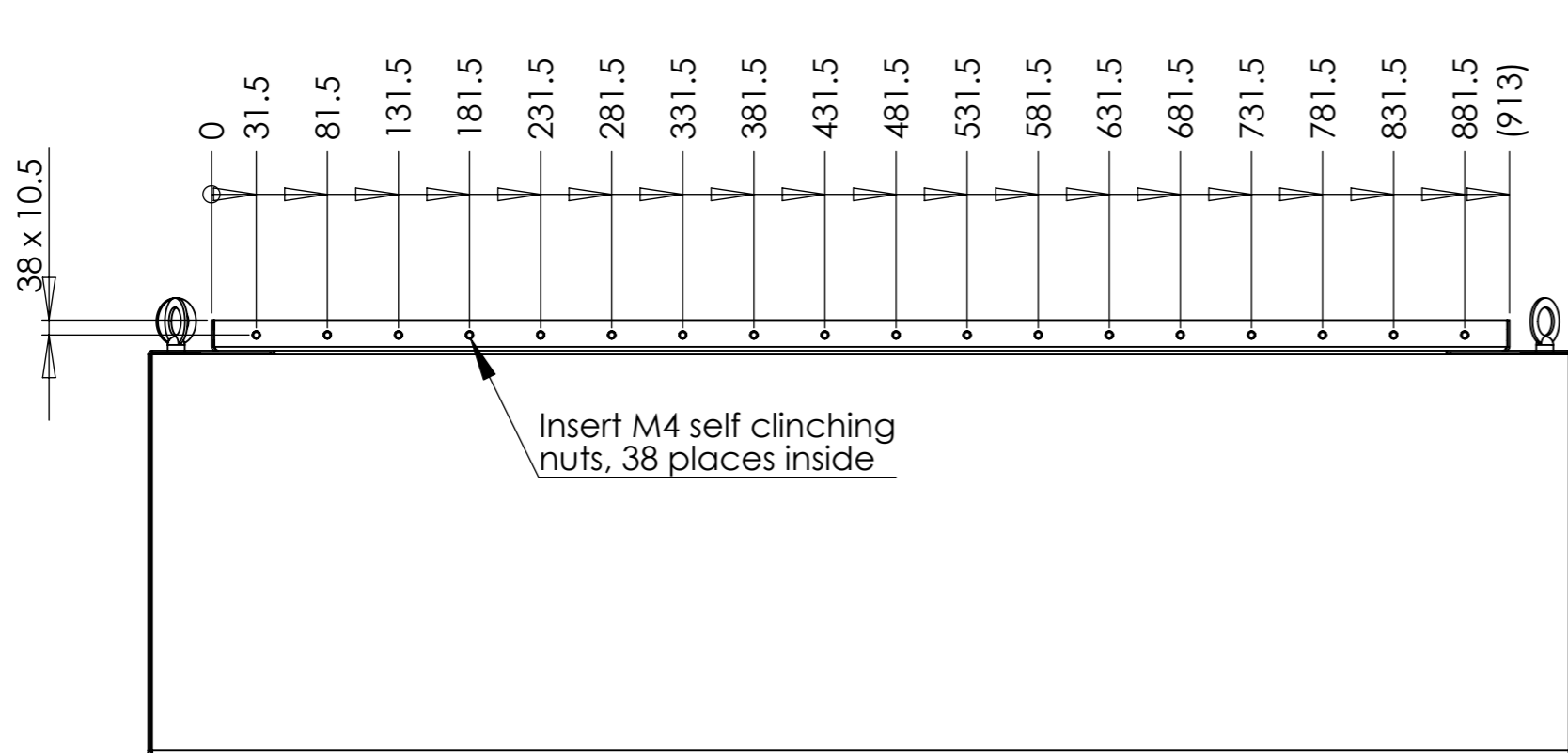
SPECIFICATIONS	
UNITS	MILLIMETERS
TOLERANCES	± 0.1 mm UNLESS STATED
MATERIAL	1mm steel, zinc seal
FINISH	1. Phosphate passivate 2. Mask where indicated 3. Powder coat white




PSI POSEIDON SCIENTIFIC INSTRUMENTS
17 QUEEN VICTORIA ST, FREMANTLE WA 6160 PH: (08) 9430 6639 FAX (08) 9335 4650

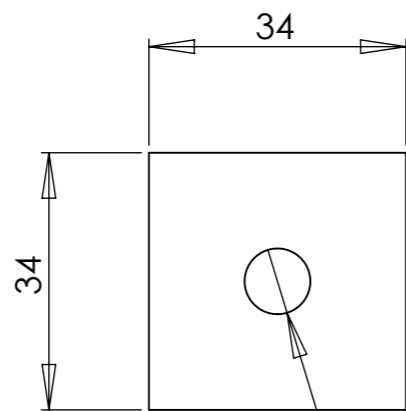
DRAWING NAME MWAM002 AC Enclosure Sheet Metal			
SIZE A3	DRAWN BY I HART	DRAWING FILENAME. MWAM002 AC Enclosure Sheet metal.SLDDRW	
SCALE 1:5	DATE 5/01/2010	COMPONENT NAME MWAM002 AC Enclosure.SLDPRT	REV A
SHEET 3 of 5			

SPECIFICATIONS	
UNITS	MILLIMETERS
TOLERANCES	± 0.1 mm UNLESS STATED
MATERIAL	1mm steel, zinc seal
FINISH	1. Phosphate passivated 2. Mask where indicated 3. Powder coat white

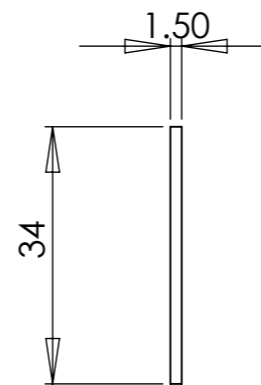


 PSI POSEIDON SCIENTIFIC INSTRUMENTS <small>17 QUEEN VICTORIA ST, FREMANTLE WA 6160 PH: (08) 9430 6639 FAX (08) 9335 4650</small>			
DRAWING NAME			
MWAM002 AC Enclosure Sheet Metal			
SIZE	DRAWN BY	DRAWING FILENAME.	
A3	I HART	MWAM002 AC Enclosure Sheet metal.SLDDRW	
SCALE	DATE	COMPONENT NAME	REV
1:10	5/01/2010	MWAM002 AC Enclosure.SLDPRT	A
SHEET			
4 of 5			

SPECIFICATIONS	
UNITS	MILLIMETERS
TOLERANCES	± 0.1 mm UNLESS STATED
MATERIAL	1.5mm Steel Zinc Seal
FINISH	Phospahte Passivated

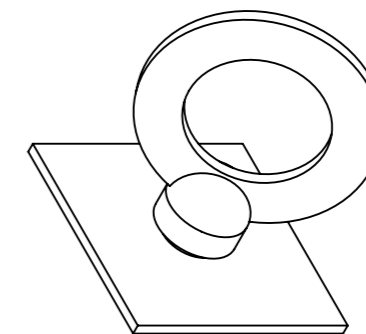


Top View

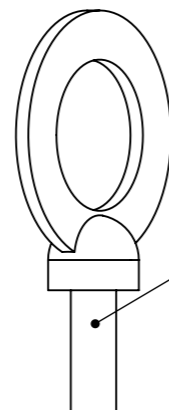


Side View

M6 Clinch Nut Inserted on underside of plate

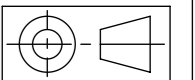



Isometric View



Mounting Bolt

M6 x 16 Bolt With 33mm Washer Welded on top.



 POSEIDON SCIENTIFIC INSTRUMENTS <small>17 QUEEN VICTORIA ST, FREMANTLE WA 6160 PH: (08) 9430 6639 FAX (08) 9335 4650</small>			
DRAWING NAME			
MWAM036 Small Lifting Point			
SIZE	DRAWN BY	DRAWING FILENAME.	
A3	C.Coleman	MWAM002 AC Enclosure Sheet metal.SLDDRW	
SCALE	DATE	COMPONENT NAME	REV
1:1	5/01/2010	MWAM036 Small Lifting Point.SLDPRT	A
SHEET			
5 of 5			