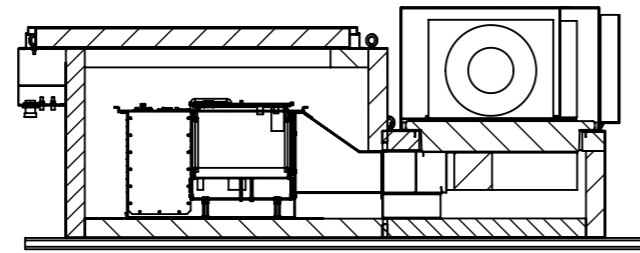
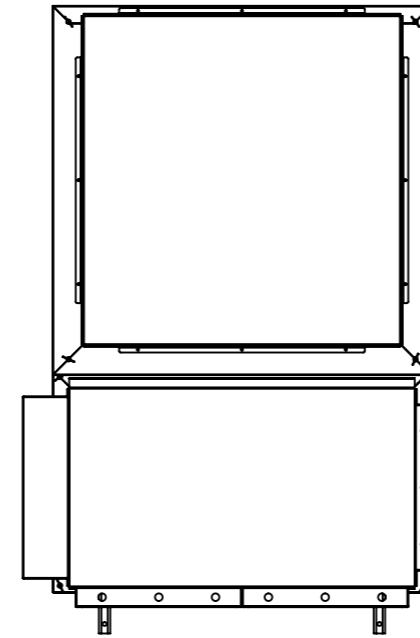
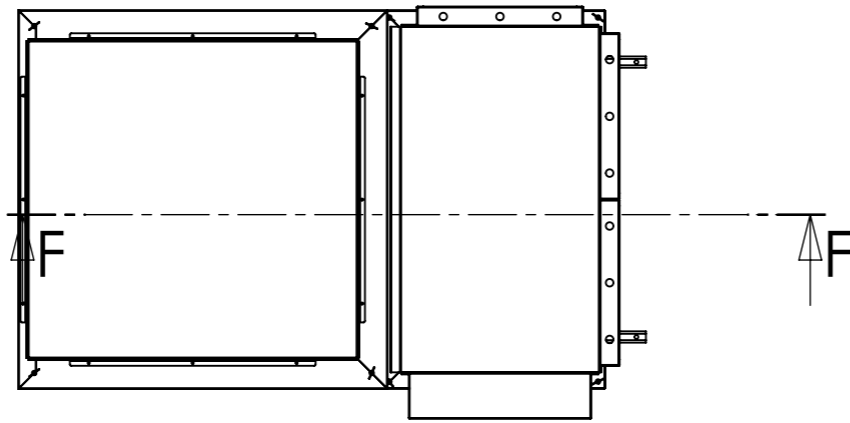


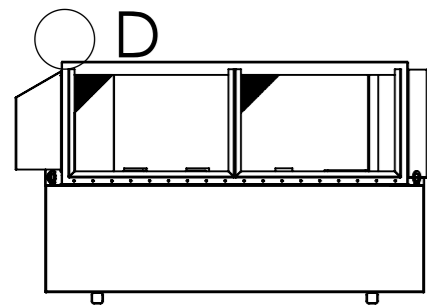
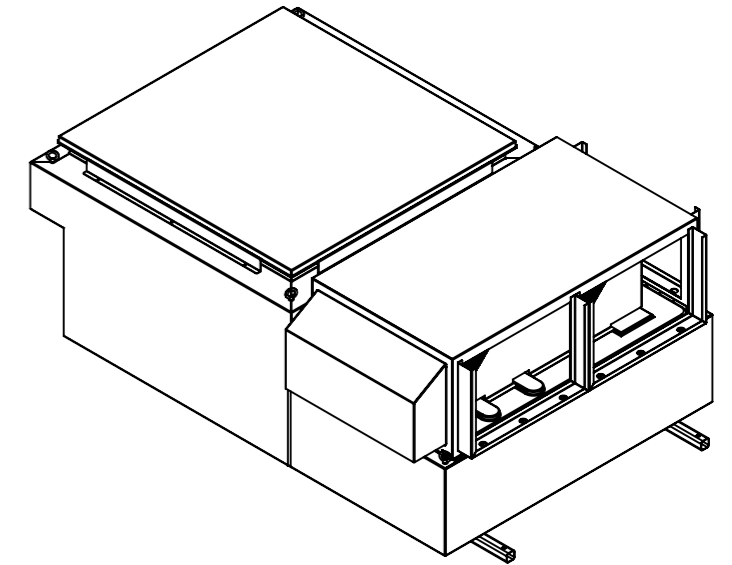
SPECIFICATIONS	
UNITS	MILLIMETERS
TOLERANCES	± 0.1 mm UNLESS STATED
MATERIAL	ALUMINIUM 6061 - T6
FINISH	3.2 SURFACE UNLESS STATED ALODYNE DIP - STREAK FREE



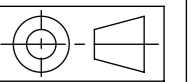
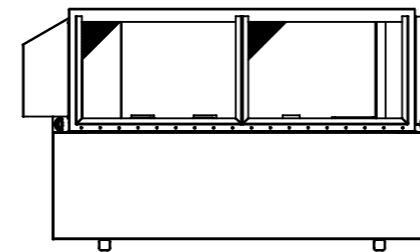
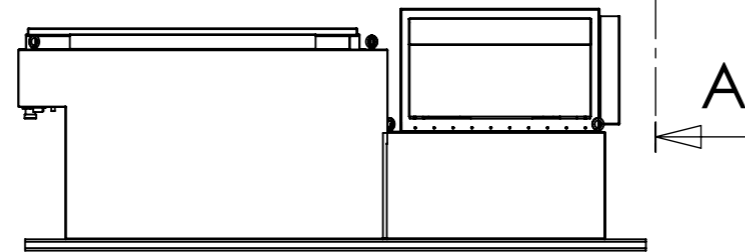
SECTION F-F
SCALE 1 : 20




SECTION C-C
SCALE 1 : 20



SECTION A-A
SCALE 1 : 20



 POSEIDON SCIENTIFIC INSTRUMENTS <small>17 QUEEN VICTORIA ST, FREMANTLE WA 6160 PH: (08) 9430 6639 FAX (08) 9335 4650</small>			
DRAWING NAME			
MWA MAIN ENCLOSURE			
SIZE	DRAWN BY	DRAWING FILENAME.	
A3	I MOORE	MWAM001 Main enclosure.SLDRW	
SCALE	DATE	COMPONENT NAME	REV
1:10	5/01/2010	MWAM001 Main enclosure.SLDPRT	A
SHEET			
1 of 1			