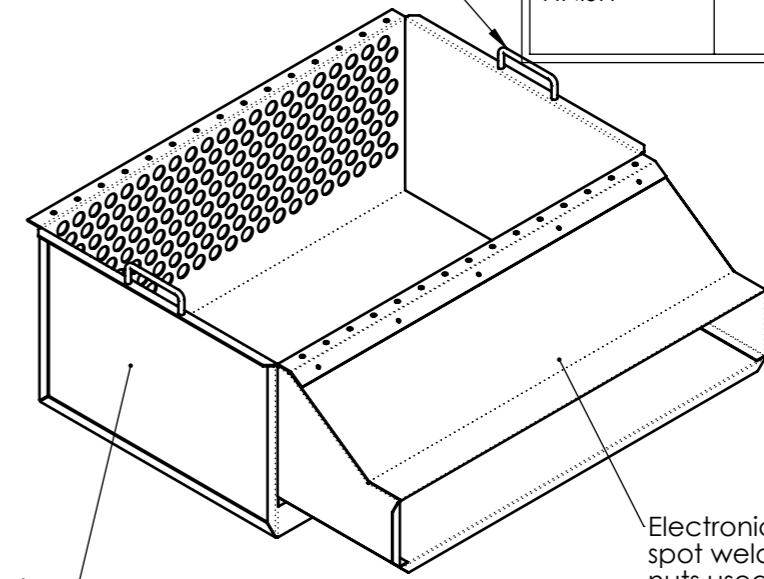


SPECIFICATIONS

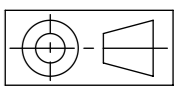
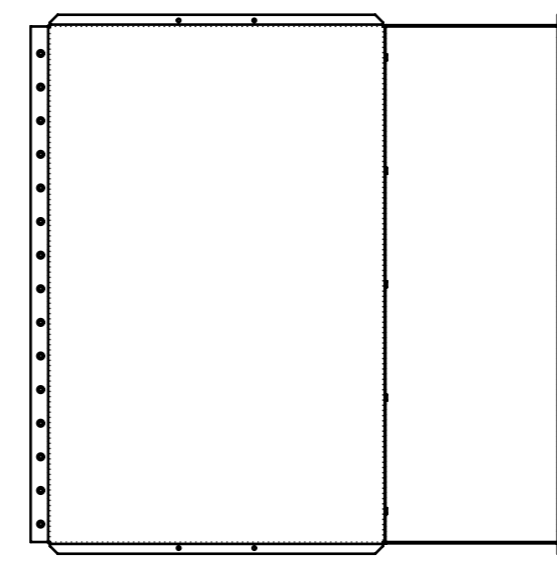
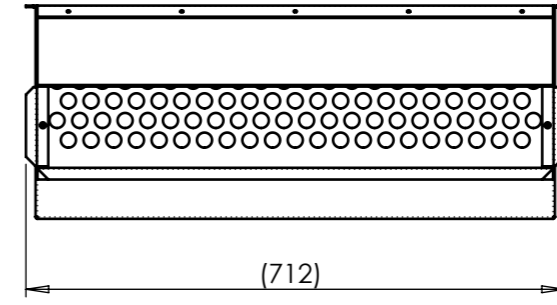
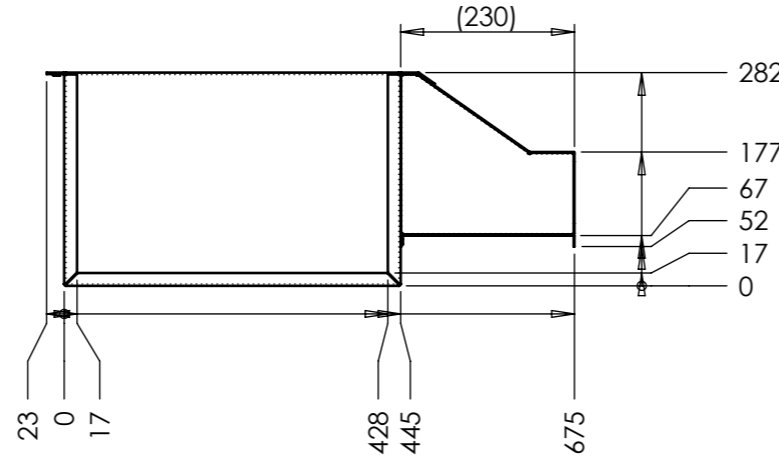
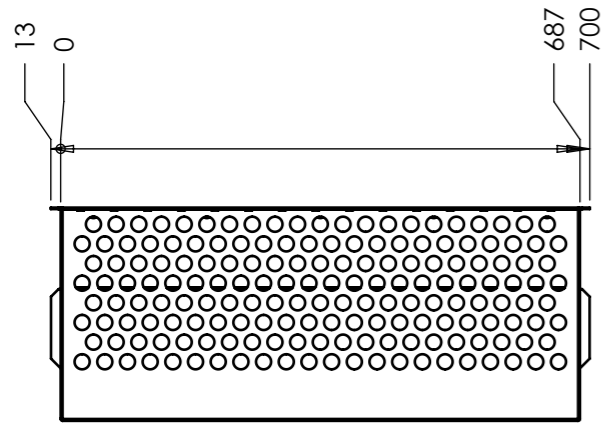
UNITS	MILLIMETERS
TOLERANCES	± 0.5 mm UNLESS STATED
MATERIAL	See Sheets 2 - 10
FINISH	See Sheets 2 - 10

Lifting Handles Mounted in Fixing Holes Shown



Electronics Case Parts 3,4,5 & 6 are spot welded together. M4 clinch nuts used in shown locations to attach to main enclosure.

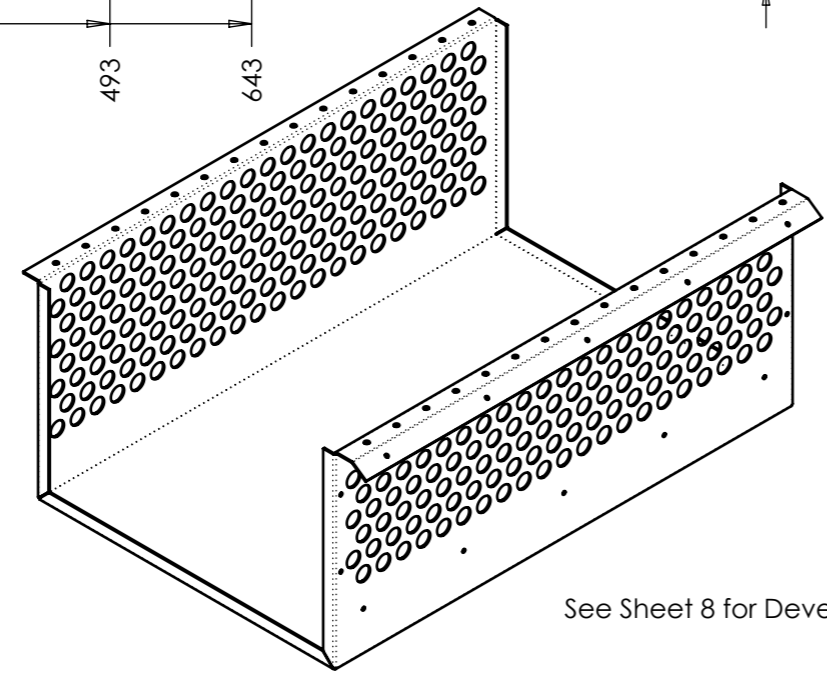
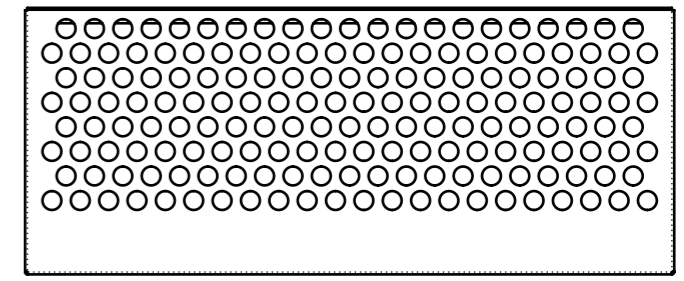
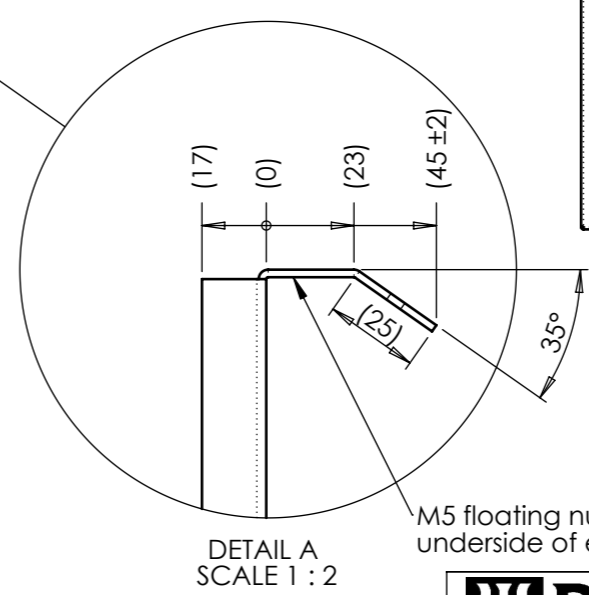
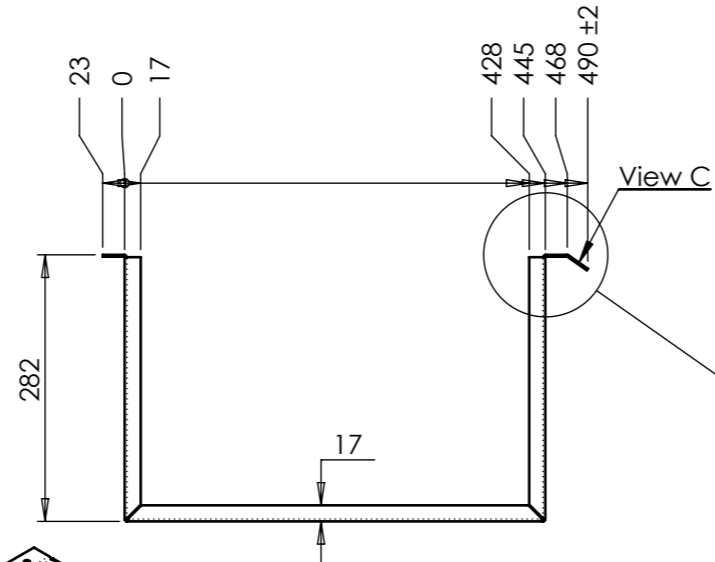
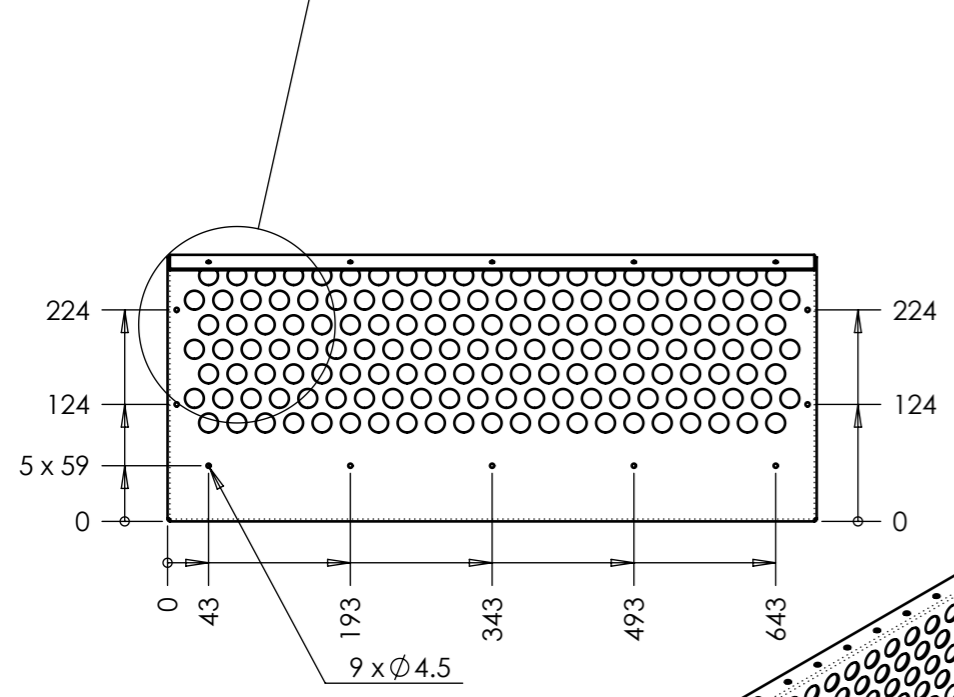
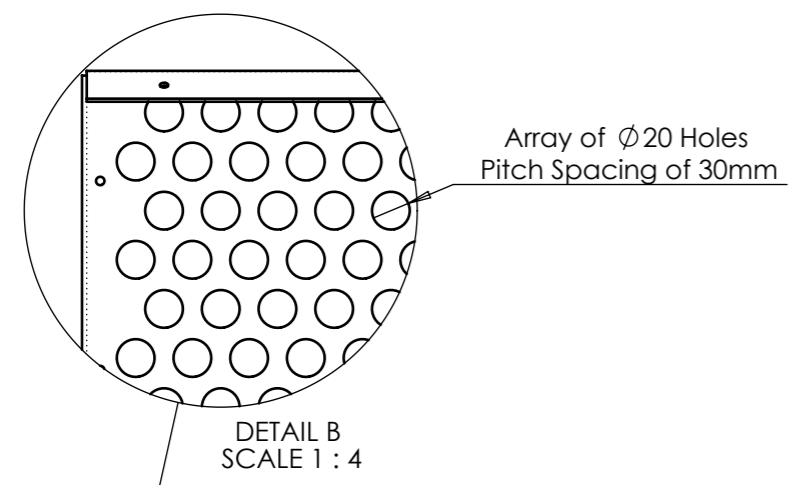
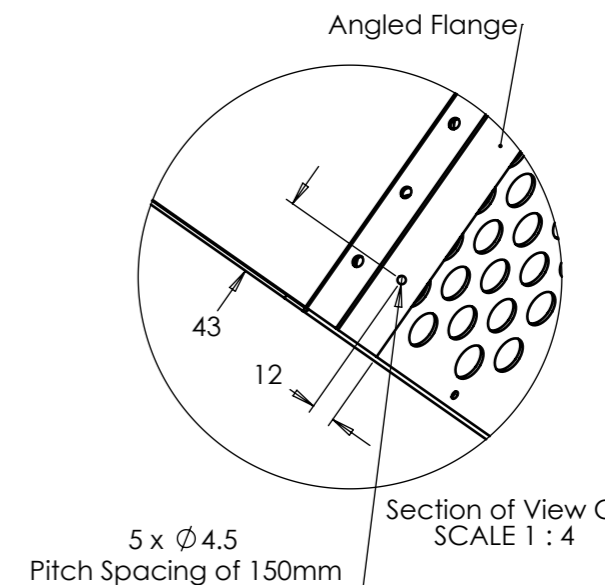
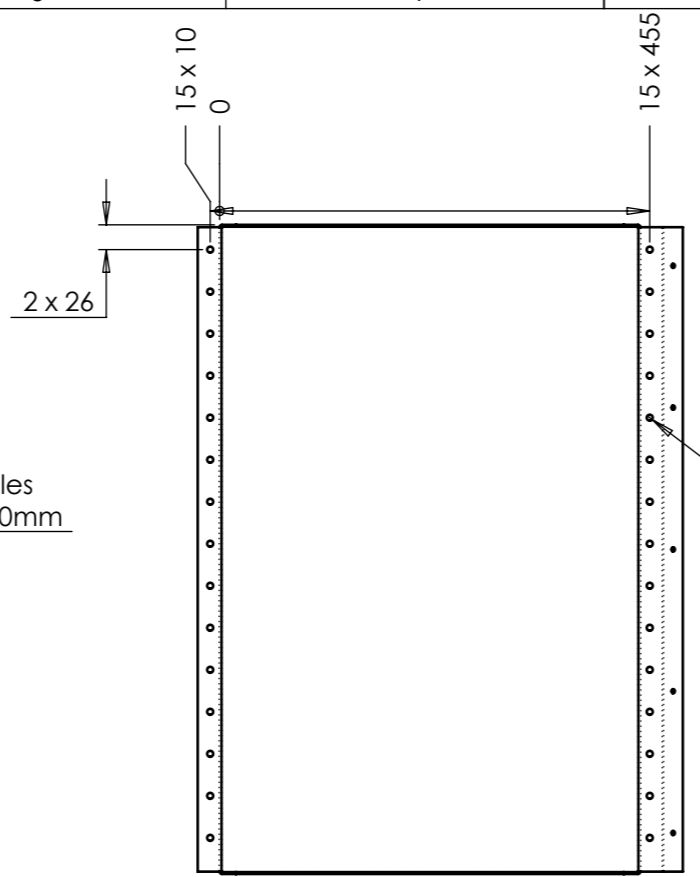
Electronics Enclosure Parts 1 & 2 are fixed together. A flush internal surface is required. Self Piercing Rivets would be appropriate.



PSI POSEIDON SCIENTIFIC INSTRUMENTS
 17 QUEEN VICTORIA ST, FREMANTLE WA 6160 PH: (08) 9430 6639 FAX (08) 9335 4650

DRAWING NAME Electronics Case			
SIZE A3	DRAWN BY C.Coleman	DRAWING FILENAME. MWAM038 Electronics Case.SLDRW	
SCALE 1:10	DATE 5/01/2010	COMPONENT NAME MWAM038 Electronics Case.SLDPRT	REV B
SHEET 1 of 10			

SPECIFICATIONS	
UNITS	MILLIMETERS
TOLERANCES	± 0.5 mm UNLESS STATED
MATERIAL	2mm ALUMINIUM SHEET
FINISH	Raw

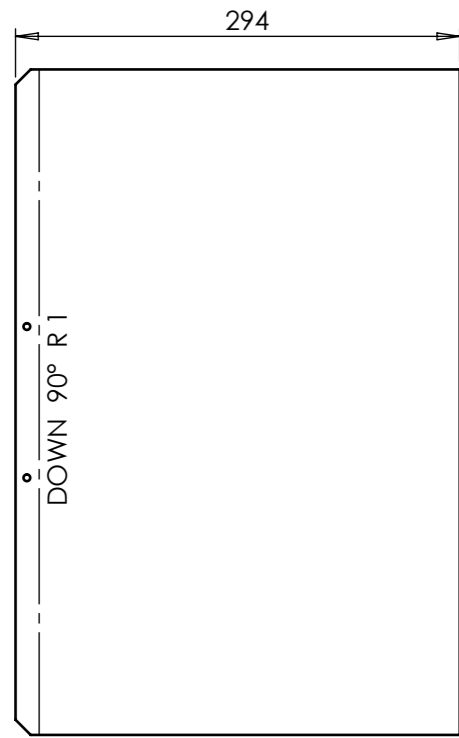


See Sheet 8 for Development Drawing

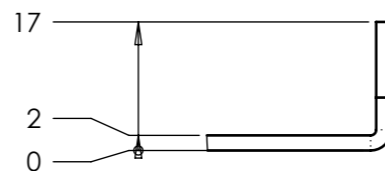
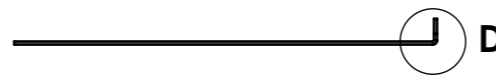
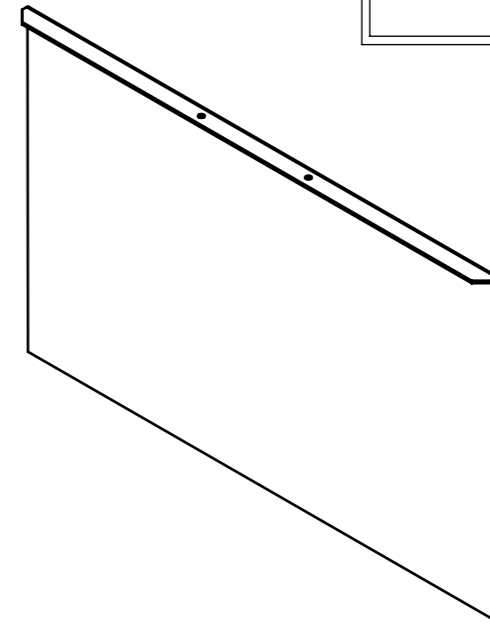
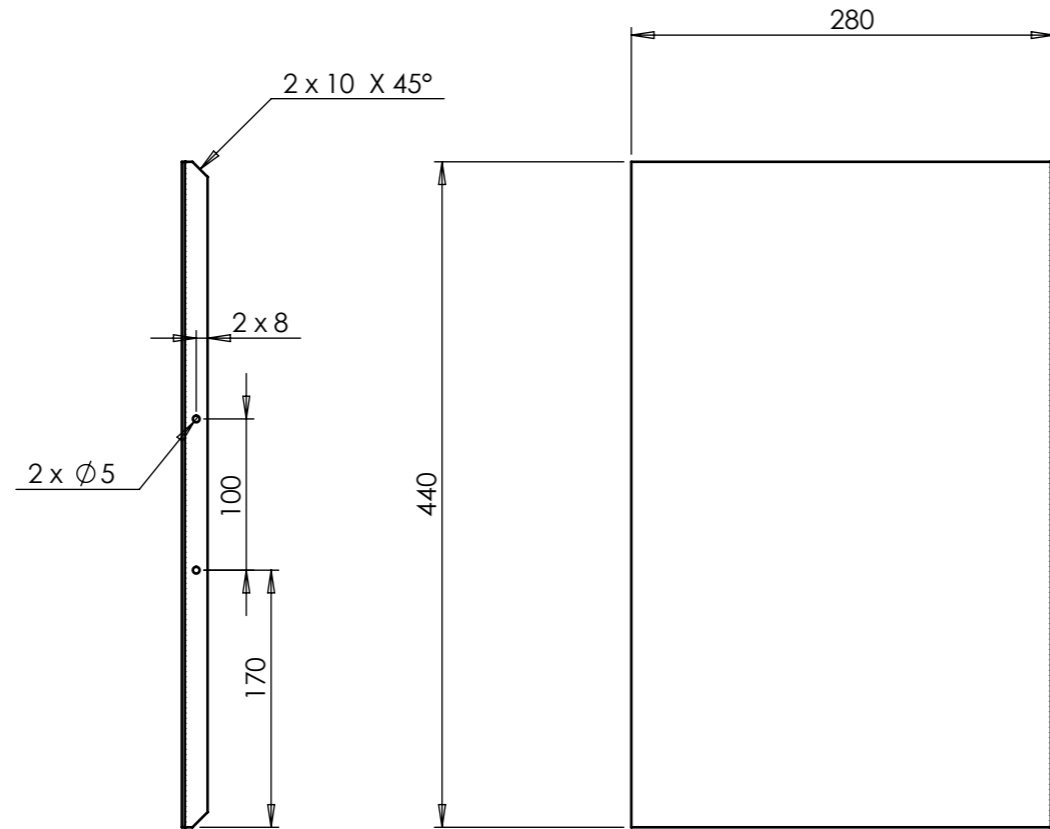
PSI POSEIDON SCIENTIFIC INSTRUMENTS
 17 QUEEN VICTORIA ST, FREMANTLE WA 6160 PH: (08) 9430 6639 FAX (08) 9335 4650

DRAWING NAME Electronics Case Part 1			
SIZE A3	DRAWN BY C.Coleman	DRAWING FILENAME. MWAM038 Electronics Case.SLDDRW	
SCALE 1:8	DATE 5/01/2010	COMPONENT NAME MWAM038_1 Electronics Case Part 1.SLDPRT	REV B
SHEET 2 of 10			

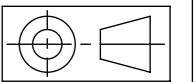
SPECIFICATIONS	
UNITS	MILLIMETERS
TOLERANCES	± 0.5 mm UNLESS STATED
MATERIAL	2mm ALUMINIUM SHEET
FINISH	Raw




Development Drawing



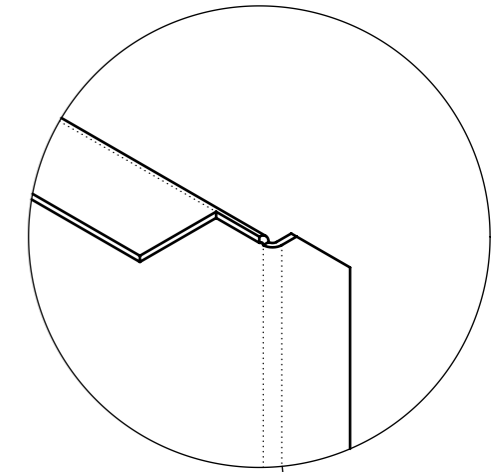
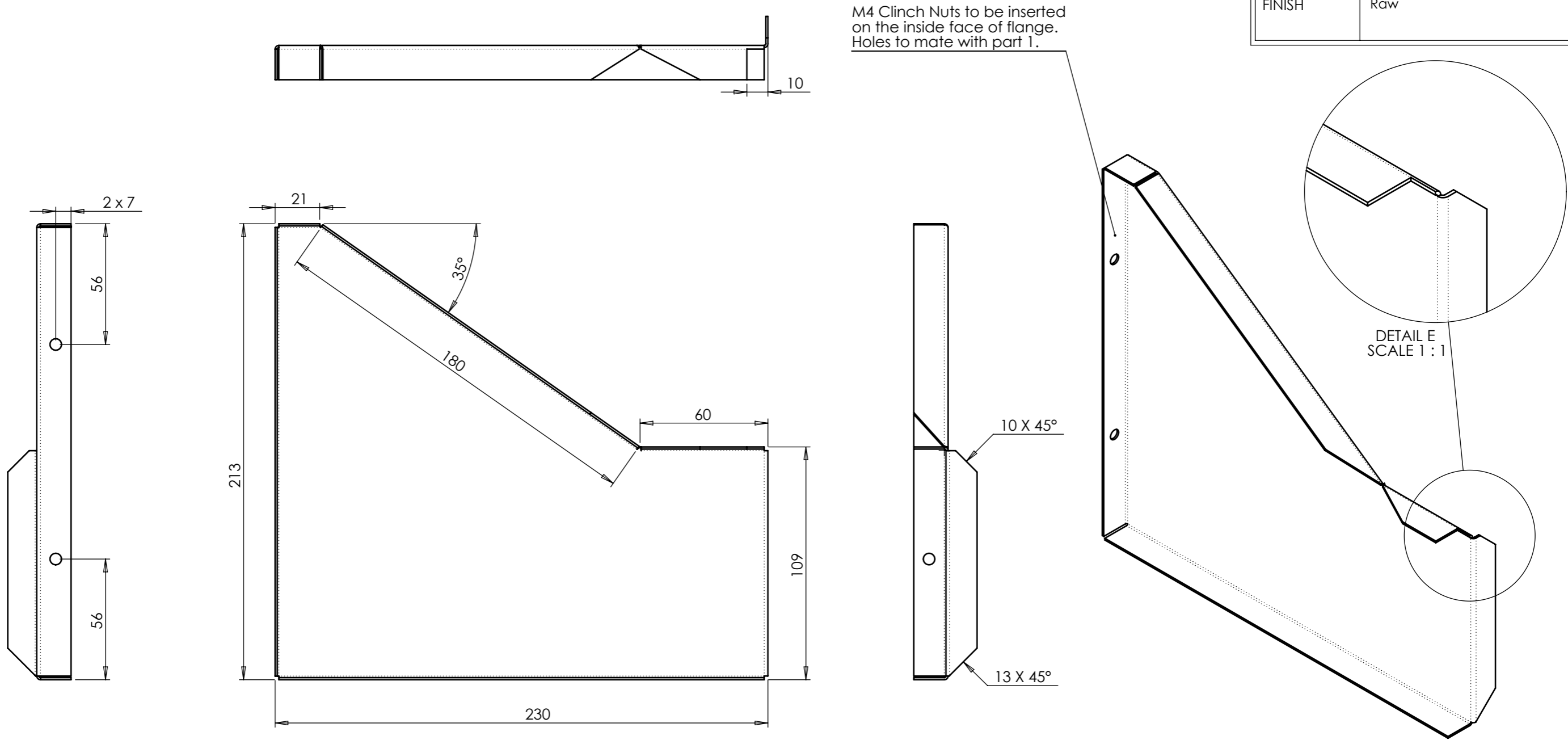
DETAIL D
SCALE 1 : 1



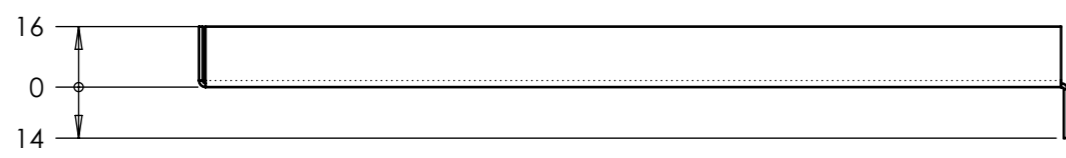
 POSEIDON SCIENTIFIC INSTRUMENTS <small>17 QUEEN VICTORIA ST, FREMANTLE WA 6160 PH: (08) 9430 6639 FAX (08) 9335 4650</small>			
DRAWING NAME			
Electronics Case Part 2			
SIZE	DRAWN BY	DRAWING FILENAME.	
A3	C.Coleman	MWAM038 Electronics Case.SLDDRW	
SCALE	DATE	COMPONENT NAME	REV
1:5	5/01/2010	MWAM038_2 Electronics Case Part 2.SLDPRT	B
SHEET			
3 of 10			

SPECIFICATIONS	
UNITS	MILLIMETERS
TOLERANCES	± 0.5 mm UNLESS STATED
MATERIAL	1 mm steel, zinc seal
FINISH	Raw

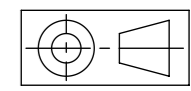
M4 Clinch Nuts to be inserted on the inside face of flange. Holes to mate with part 1.




DETAIL E
SCALE 1 : 1

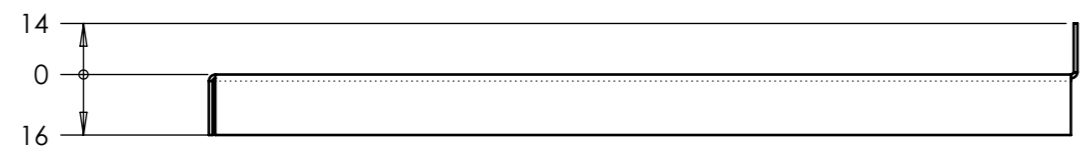
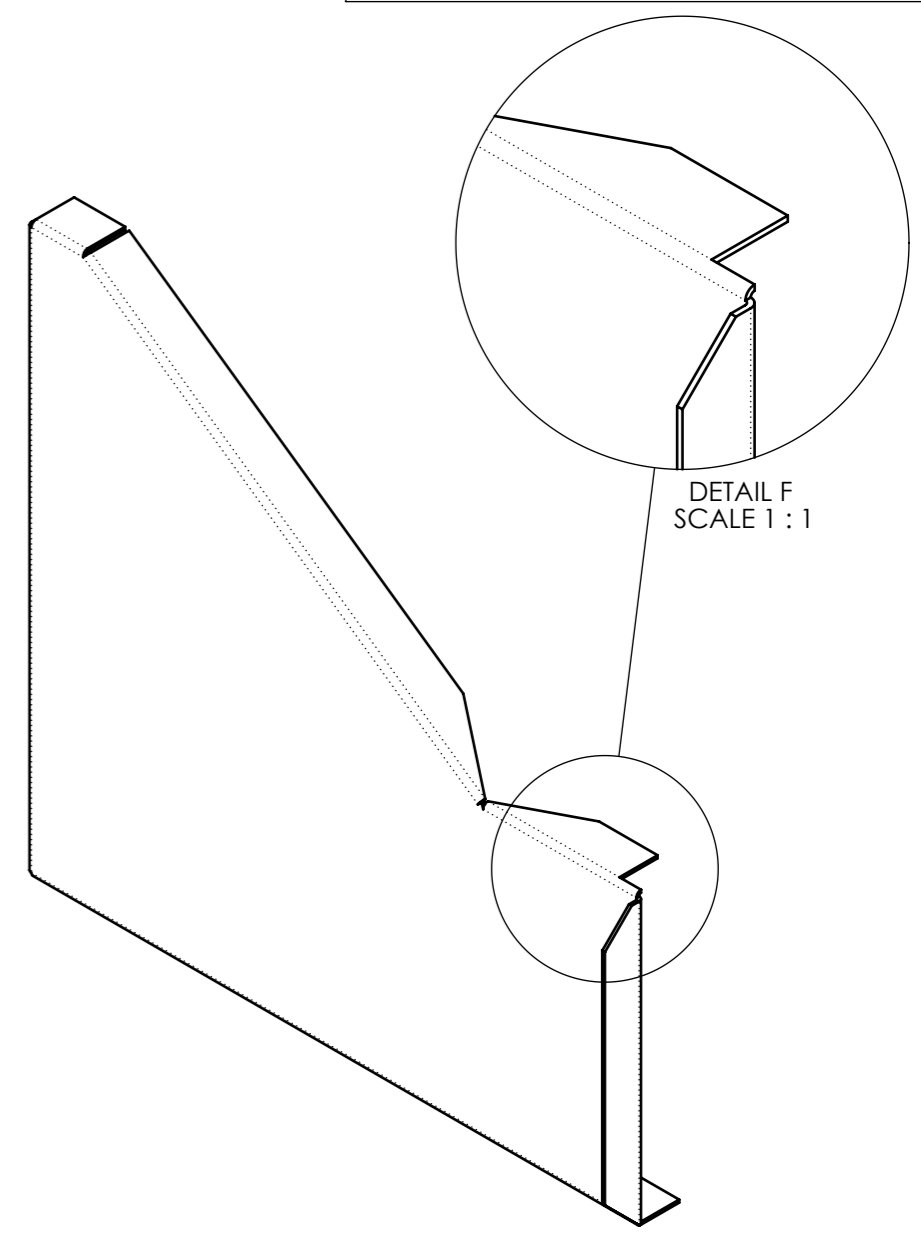
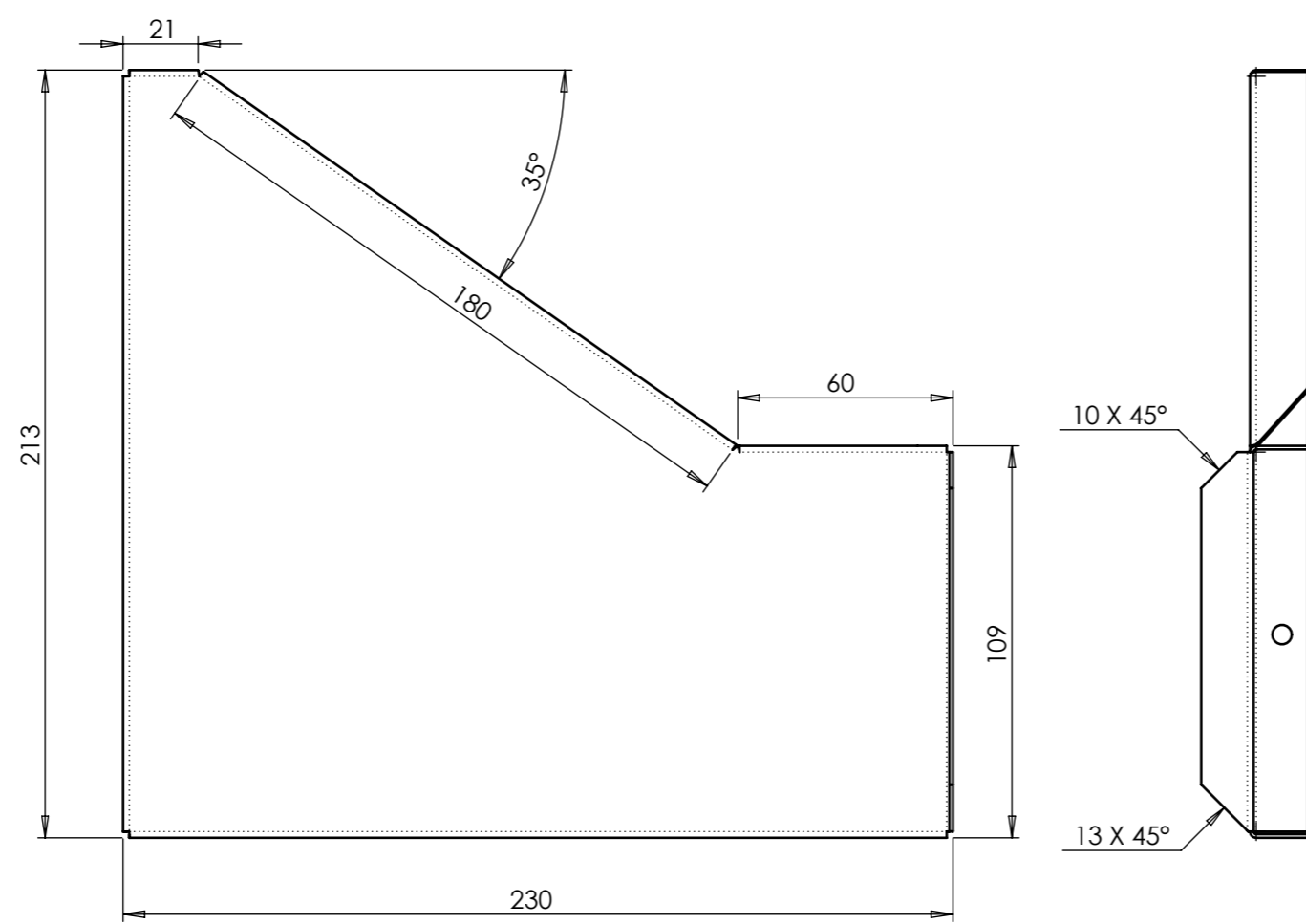
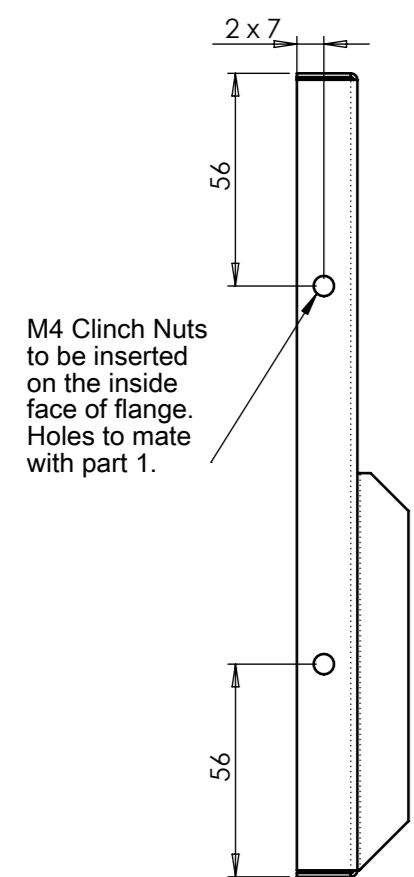
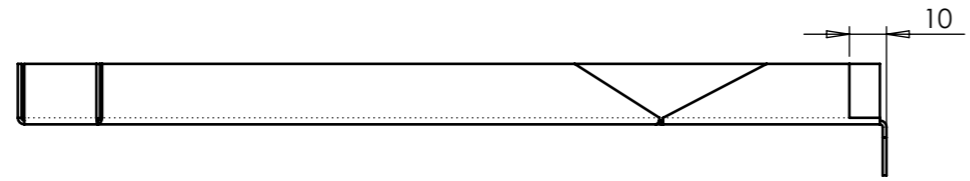


See Sheet 9 for Development Drawing

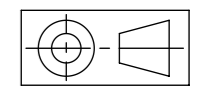


 POSEIDON SCIENTIFIC INSTRUMENTS <small>17 QUEEN VICTORIA ST, FREMANTLE WA 6160 PH: (08) 9430 6639 FAX (08) 9335 4650</small>			
DRAWING NAME			
Electronics Case Part 3			
SIZE A3	DRAWN BY C.Coleman	DRAWING FILENAME. MWAM038 Electronics Case.SLDDRW	
SCALE 1:2	DATE 5/01/2010	COMPONENT NAME MWAM038_3 Electronics Case Part 3.SLDPRT	REV B
SHEET 4 of 10			

SPECIFICATIONS	
UNITS	MILLIMETERS
TOLERANCES	± 0.5 mm UNLESS STATED
MATERIAL	1 mm steel, zinc seal
FINISH	Raw

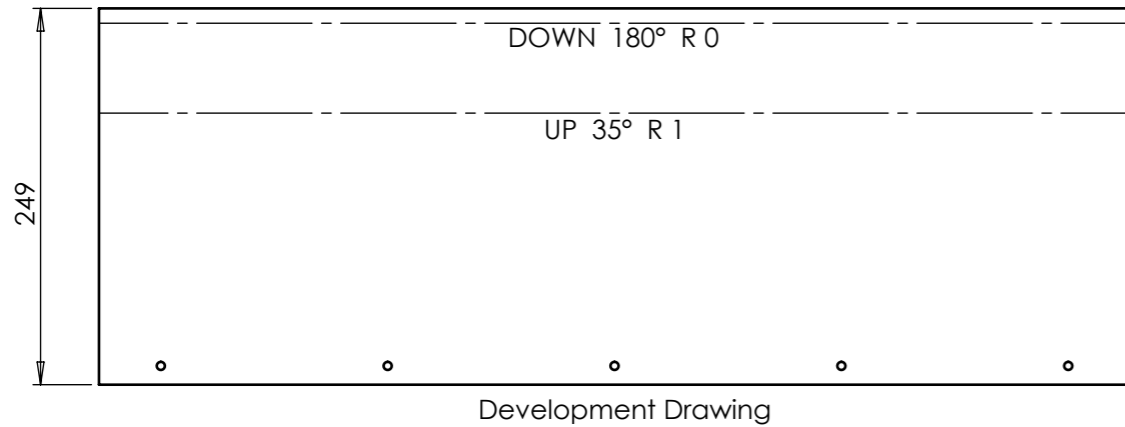


See Sheet 10 for Development Drawing

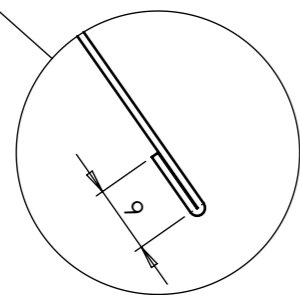
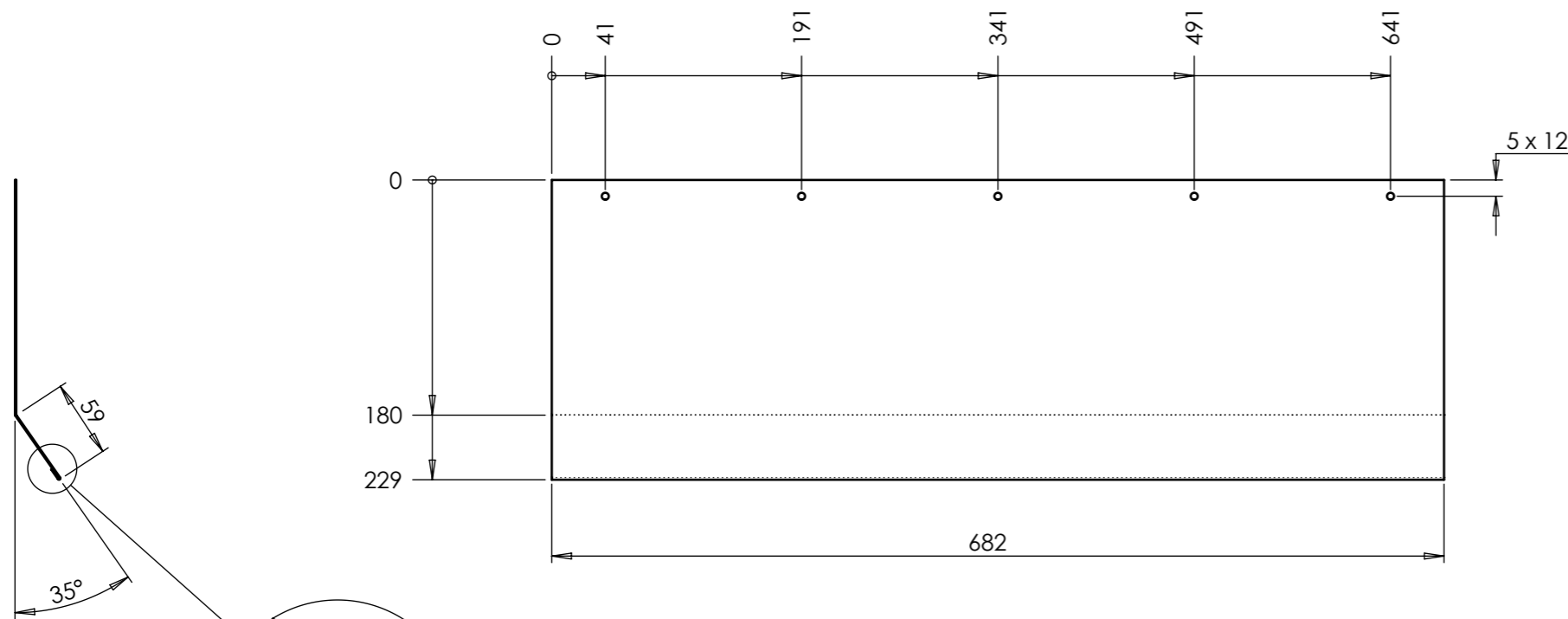
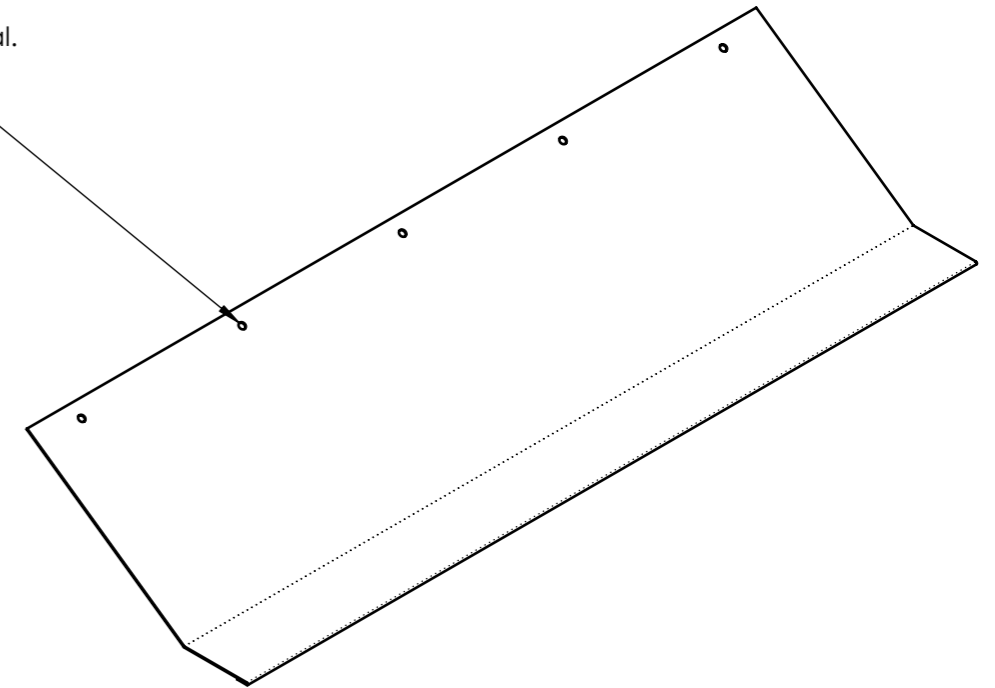


POSEIDON SCIENTIFIC INSTRUMENTS <small>17 QUEEN VICTORIA ST, FREMANTLE WA 6160 PH: (08) 9430 6639 FAX (08) 9335 4650</small>			
DRAWING NAME			
Electronics Case Part 4			
SIZE A3	DRAWN BY C.Coleman	DRAWING FILENAME. MWAM038 Electronics Case.SLDDRW	
SCALE 1:2	DATE 5/01/2010	COMPONENT NAME MWAM038_4 Electronics Case Part 4.SLDPRT	REV B
SHEET 5 of 10			

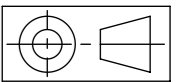
SPECIFICATIONS	
UNITS	MILLIMETERS
TOLERANCES	± 0.5 mm UNLESS STATED
MATERIAL	1 mm steel, zinc seal
FINISH	Raw




M4 clinch nuts to be inserted on the under side of sheet metal. Holes to mate with Part 1.



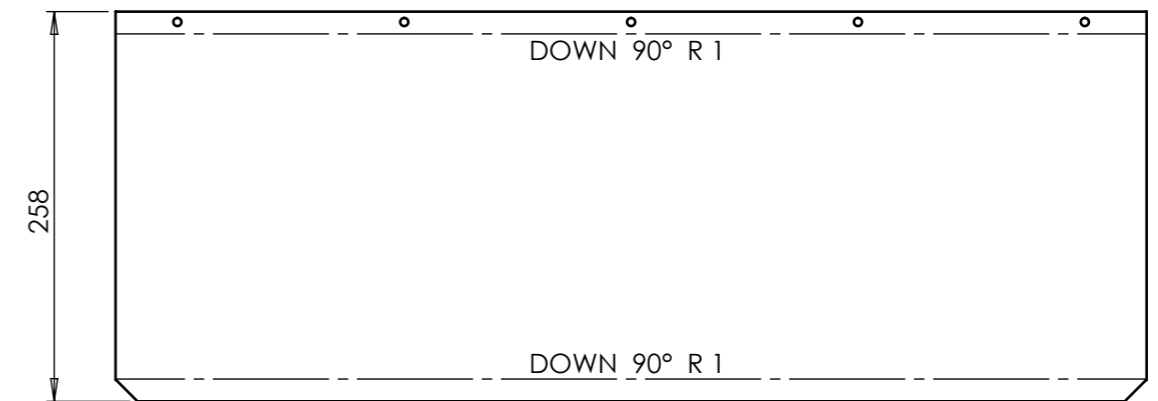
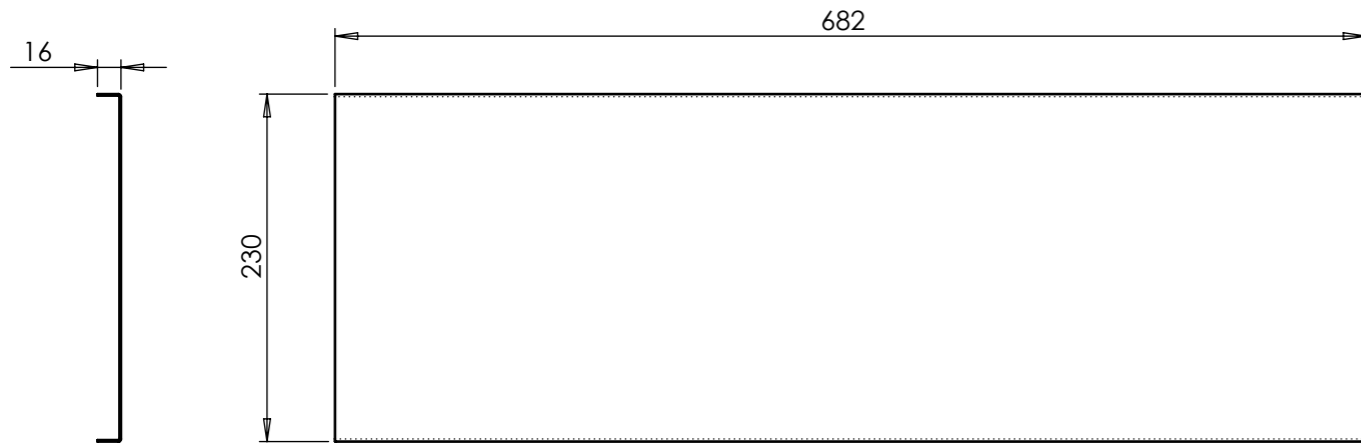
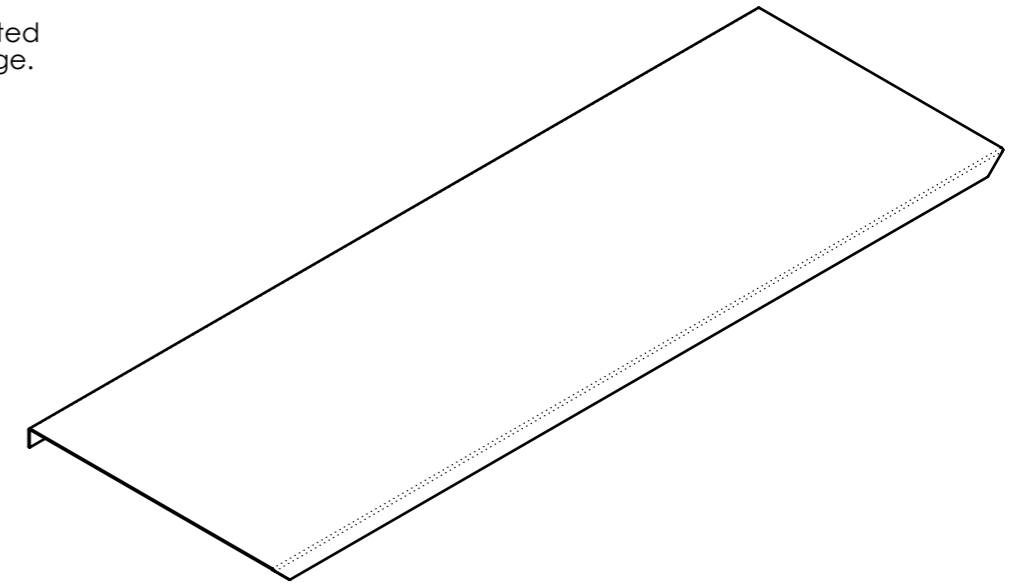
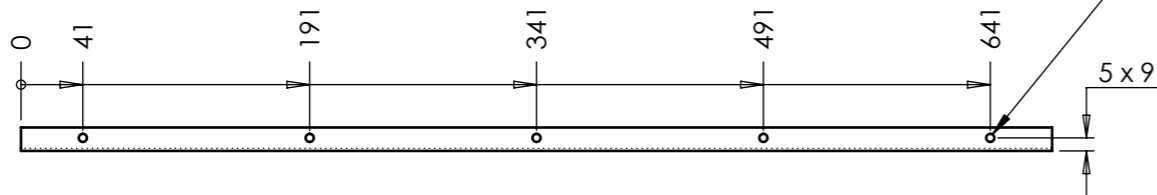
DETAIL G
SCALE 1 : 1



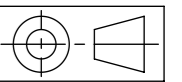
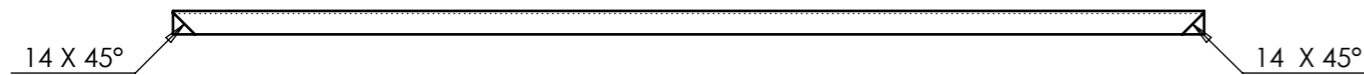
 POSEIDON SCIENTIFIC INSTRUMENTS <small>17 QUEEN VICTORIA ST, FREMANTLE WA 6160 PH: (08) 9430 6639 FAX (08) 9335 4650</small>			
DRAWING NAME			
Electronics Case Part 5			
SIZE	DRAWN BY	DRAWING FILENAME.	
A3	C.Coleman	MWAM038 Electronics Case.SLDDRW	
SCALE	DATE	COMPONENT NAME	REV
1:5	5/01/2010	MWAM038_5 Electronics Case Part 5.SLDPRT	B
SHEET			
6 of 10			


SPECIFICATIONS	
UNITS	MILLIMETERS
TOLERANCES	± 0.5 mm UNLESS STATED
MATERIAL	1 mm steel, zinc seal
FINISH	Raw

M4 clinch nuts to be inserted on the inside face of flange. Holes to mate with part 1.

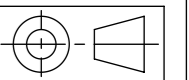
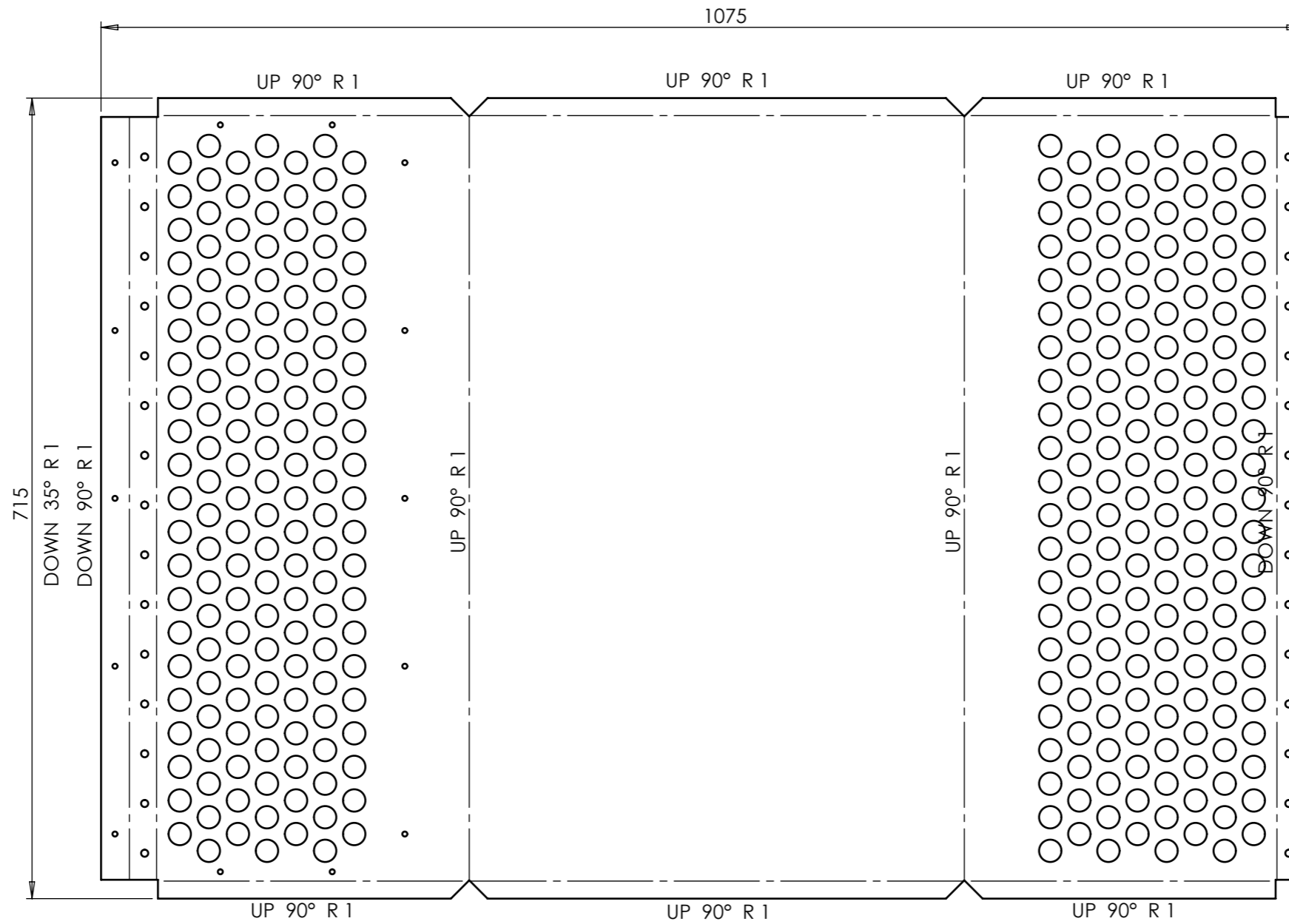



Development Drawing



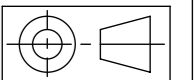
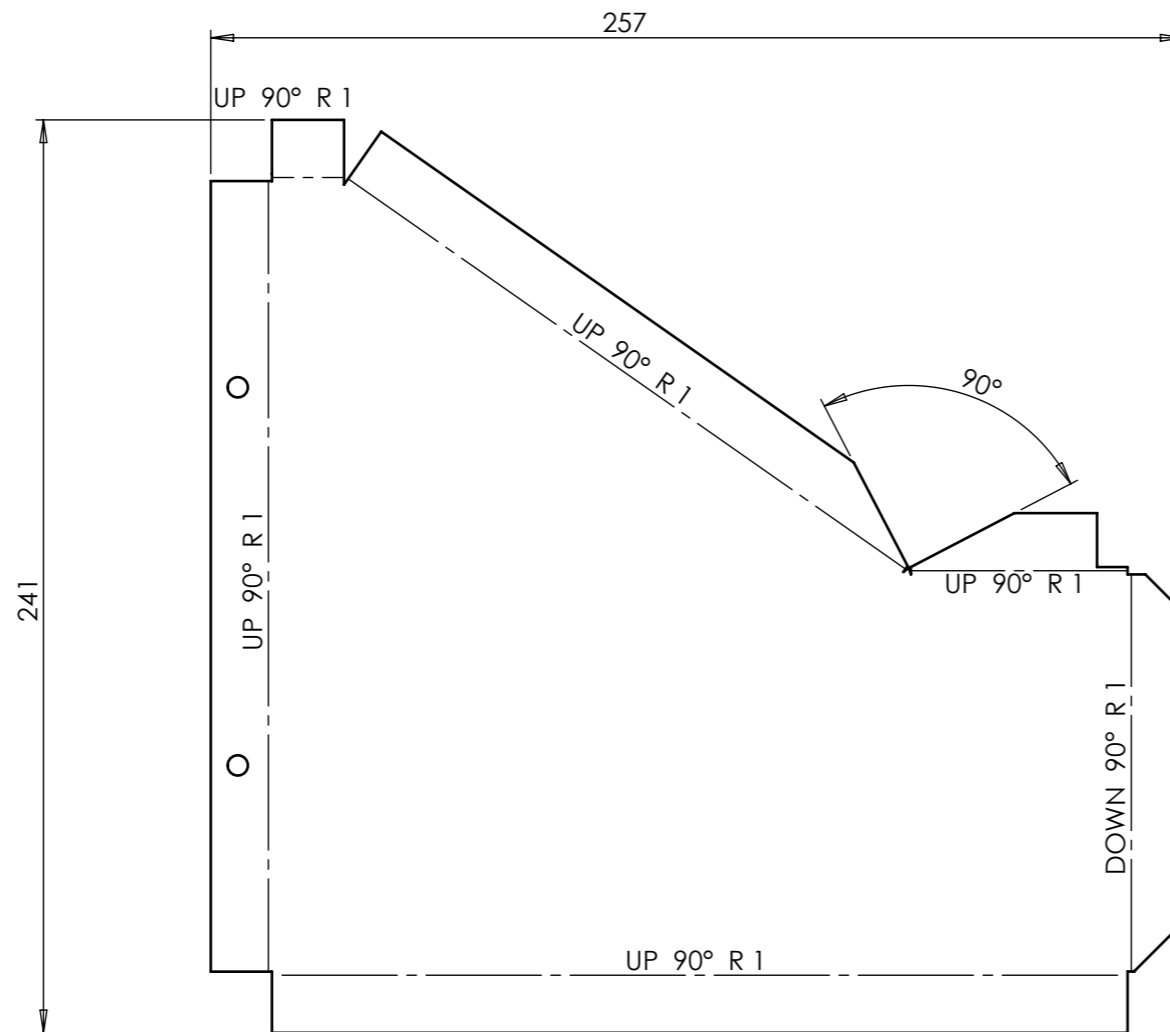
 POSEIDON SCIENTIFIC INSTRUMENTS <small>17 QUEEN VICTORIA ST, FREMANTLE WA 6160 PH: (08) 9430 6639 FAX (08) 9335 4650</small>			
DRAWING NAME			
Electronics Case Part 6			
SIZE	DRAWN BY	DRAWING FILENAME.	
A3	C.Coleman	MWAM038 Electronics Case.SLDDRW	
SCALE	DATE	COMPONENT NAME	REV
1:5	5/01/2010	MWAM038_6 Electronics Case Part 6.SLDPRT	B
SHEET			
7 of 10			

SPECIFICATIONS	
UNITS	MILLIMETERS
TOLERANCES	± 0.5 mm UNLESS STATED
MATERIAL	2mm ALUMINIUM SHEET
FINISH	Raw



 POSEIDON SCIENTIFIC INSTRUMENTS <small>17 QUEEN VICTORIA ST, FREMANTLE WA 6160 PH: (08) 9430 6639 FAX (08) 9335 4650</small>			
DRAWING NAME			
Electronics Case Part 1 Development Drawing			
SIZE	DRAWN BY	DRAWING FILENAME.	
A3	C.Coleman	MWAM038 Electronics Case.SLDDRW	
SCALE	DATE	COMPONENT NAME	REV
1:5	5/01/2010	MWAM038_1 Electronics Case Part 1.SLDPRT	B
SHEET			
8 of 10			

SPECIFICATIONS	
UNITS	MILLIMETERS
TOLERANCES	± 0.5 mm UNLESS STATED
MATERIAL	1mm steel, zinc seal
FINISH	Raw

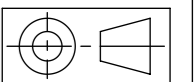
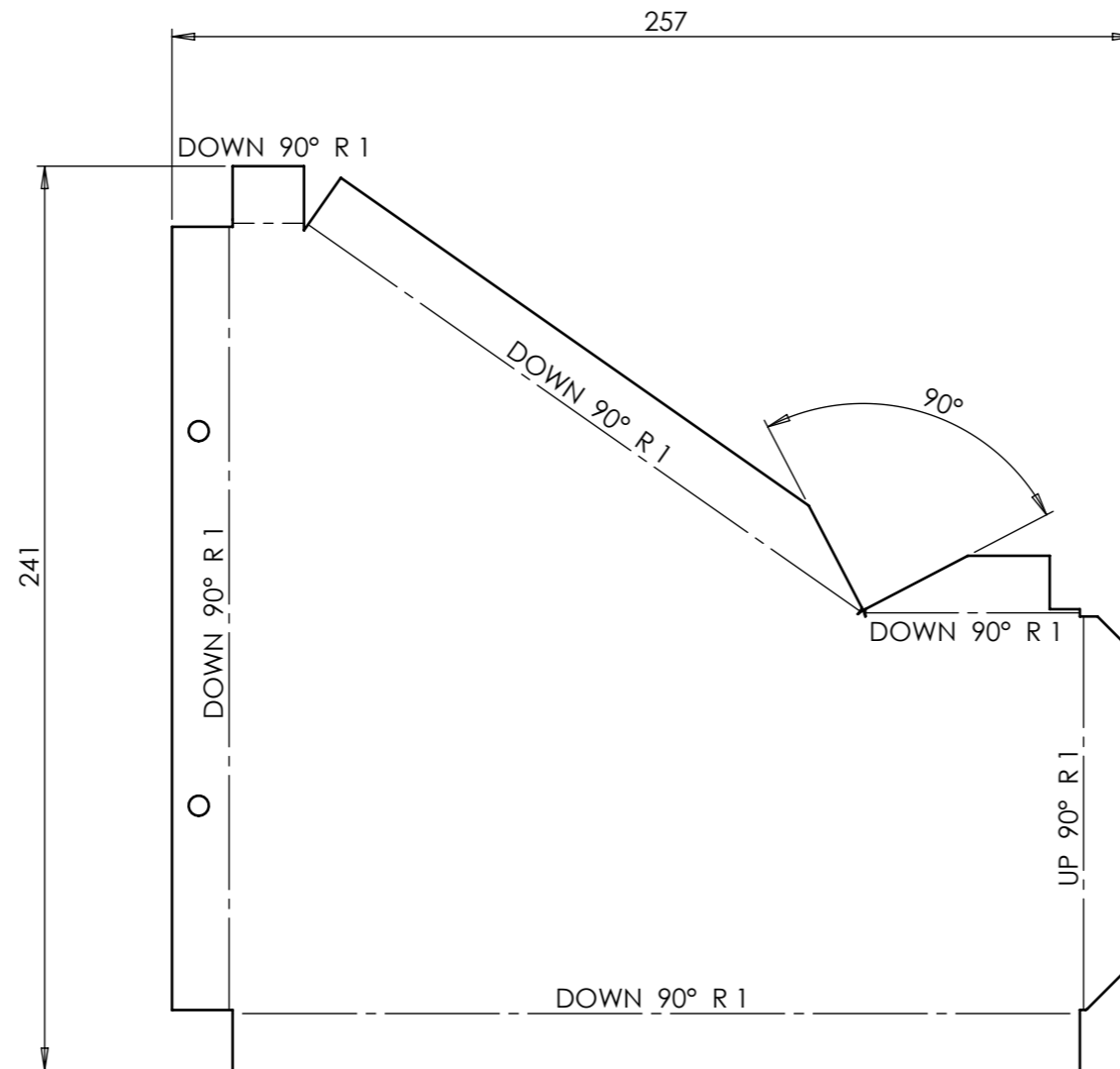



PSI POSEIDON SCIENTIFIC INSTRUMENTS
 17 QUEEN VICTORIA ST, FREMANTLE WA 6160 PH: (08) 9430 6639 FAX (08) 9335 4650

DRAWING NAME
 Electronics Case Part 3 Development Drawing

SIZE A3	DRAWN BY C.Coleman	DRAWING FILENAME. MWAM038_Electronics Case.SLDDRW	
SCALE 1:2	DATE 5/01/2010	COMPONENT NAME MWAM038_3_Electronics Case Part 3.SLDPRT	REV B
SHEET 9 of 10			

SPECIFICATIONS	
UNITS	MILLIMETERS
TOLERANCES	± 0.5 mm UNLESS STATED
MATERIAL	1mm steel, zinc seal
FINISH	Raw



 POSEIDON SCIENTIFIC INSTRUMENTS <small>17 QUEEN VICTORIA ST, FREMANTLE WA 6160 PH: (08) 9430 6639 FAX (08) 9335 4650</small>			
DRAWING NAME			
Electronics Case Part 4 Development Drawing			
SIZE	DRAWN BY	DRAWING FILENAME.	
A3	C.Coleman	MWAM038 Electronics Case.SLDDRW	
SCALE	DATE	COMPONENT NAME	REV
1:5	5/01/2010	MWAM038_4 Electronics Case Part 4.SLDPRT	B
SHEET			
10 of 10			