

CABLE DRAWING: CAB-0XXX (SALEM CODE)

DRAWING TITLE:  
**SBC Internal Power Cable**

DRAWING NO.: <b>MWACAB-0041</b>	DRAWN BY: <b>DRC</b>	DATE: 5-Jan-10	REV: <b>A</b>
		SHEET: 1 of 3	

**Cable Detail:**

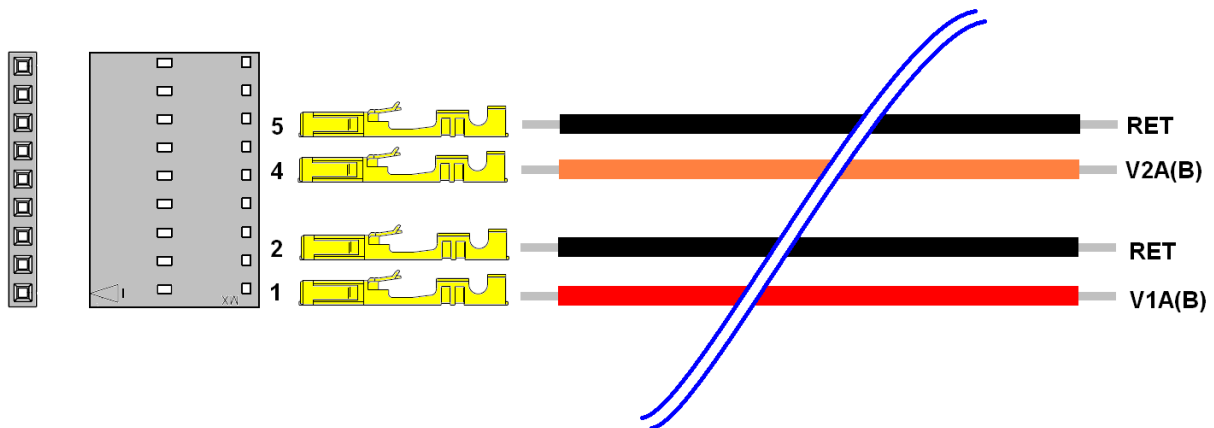
Connectors:	Description	Parts (Qty)
SBC-J4	MOLEX - 50-57-9009 - Housing 2.54mm, 9Way	See Note1 Below(1)
	MOLEX - 16-02-0102 - Crimp, 24 AWG	See Note2 Below(4)
Conductors:		
Cable1	7/30AWG Wire Red	See Note3 Below(??)
Cable2	7/30AWG Wire Black	See Note3 Below(??)
Cable3	7/30AWG Wire Orange	See Note3 Below(??)
Misc:		
-		

Overall Length ??+/-5mm

**Notes:**

1. The Molex Housing can be supplied from Farnell #175-6897. Any equivalent will be OK refer to data sheets supplied with this drawing.
2. The Molex Pins can be supplied from Farnell #146-2562. Any equivalent will be OK, but must match the housing refer to data sheets supplied with this drawing.
3. The Cable can be supplied from Farnell (Red = #117-7607, Black = #117-7598 & Orange = #117-7605). Any equivalent will be OK refer to data sheets supplied with this drawing.

**Typical Drawing:**



**REVISION**

Date	Rev	Remarks
05/01/10	A	Draft

CABLE DRAWING:

**CAB-0XXX (SALEM CODE)**

DRAWING TITLE:

**SBC Internal Power Cable**

DRAWING NO.:  
**MWACAB-0041**

DRAWN BY:  
**DRC**

DATE: 5-Jan-10

SHEET: 2 of 3

REV:

**A**

**Connection Table:**

SBC-J4	Description	PSU
Pins(4)		Flying Lead
1	+5Vmcc	V1A(B)
2	0V	RET
3	Key	NC
4	+12Vmcc	V2A(B)
5	0V	RET
6	+5V	NC
7	-12V	NC
8	-5V	NC
9	+3V3	NC

**Assembly Details:**

**CRIMPING**

**Wire Preparation**

The wire must be stripped to the dimension provided in Figure 2.

*Do not nick, scrape, or cut the wire conductor during the stripping operation.*

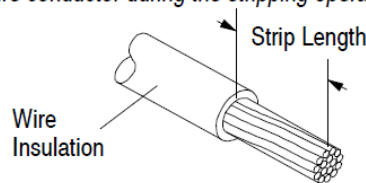


Figure 2

WIRE SIZE RANGE, (AWG)	INSUL DIA MAX.	STRIP LENGTH	WIRE BARREL		INSUL BARREL CRIMP WIDTH
			CRIMP HEIGHT	CRIMP WIDTH	
20	●	4.78-3.58	0.94-0.72	1.4	1.57
22	●	4.78-3.58	0.84-0.72		
24	●	4.78-3.58	0.83-0.64		
22	1.55	4.37-2.77	0.97-0.81	1.07	
24	1.55	4.37-2.77	0.86-0.71		
26	1.55	4.37-2.77	0.81-0.71	1.4	
26-30	1.22	4.37-2.77	0.74-0.64	1.4	
27, 28	1.02	4.37-2.77	0.61-0.51	0.84	1.4
30, 32	1.02	4.37-2.77	0.61-0.48		

**REVISION**

Date	Rev	Remarks
05/01/10	A	Draft

CABLE DRAWING: **CAB-0XXX (SALEM CODE)**

DRAWING TITLE:  
**SBC Internal Power Cable**

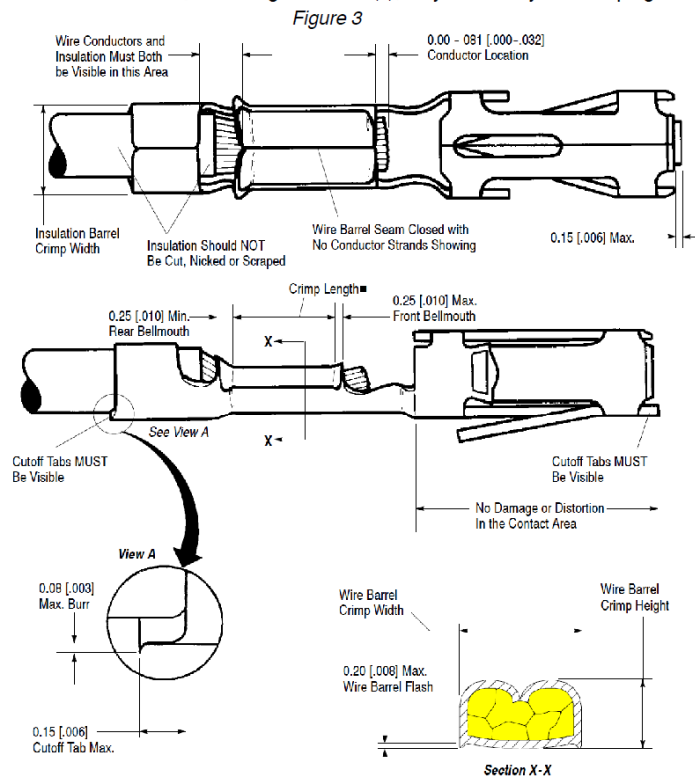
DRAWING NO.: <b>MWACAB-0041</b>	DRAWN BY: <b>DRC</b>	DATE: 5-Jan-10	REV: <b>A</b>
		SHEET: 3 of 3	

**Assembly Details (Cont'):**

**CRIMPING**

**Crimp Length**

For optimum crimp effectiveness, the crimp must be within the area shown and must meet the crimp dimensions provided in Figure 3. Effective crimp length shall be defined as that portion of the wire barrel, excluding bellmouth(s), fully formed by the crimping tool.



**NOTE:** Comparing a crimped contact to an uncrimped contact should reveal any fault that may have occurred to front shoulder or locking lances during crimping.

- Effective crimp length shall be 2.67 mm minimum for 20-24 AWG wire, and 2.16 mm minimum for all other wire sizes; and is defined as that portion of the wire barrel fully formed by the tool, excluding the bellmouths.

**Connection Detail:**

From: (SBC-J4) DC Power  
To: (PSU) DC Power Supply Terminals

**REVISION**

Date	Rev	Remarks
05/01/10	A	Draft

**PLEASE CHECK WWW.MOLEX.COM FOR LATEST PART INFORMATION**

**Part Number:** **0050579009**  
**Status:** **Active**  
**Overview:** C-Grid® / SL™ Products  
**Description:** 2.54mm (.100") Pitch SL™ Crimp Housing, Single Row, Version A, Nonpolarized, 9 Circuits

**Documents:**

<a href="#">3D Model</a>	<a href="#">Product Specification PS-70058 (PDF)</a>
<a href="#">Packaging Specification (PDF)</a>	<a href="#">Product Specification PS-70400 (PDF)</a>
<a href="#">Drawing (PDF)</a>	<a href="#">RoHS Certificate of Compliance (PDF)</a>

**General**

Product Family	Crimp Housings
Series	70066
Comments	Version A
Overview	C-Grid® / SL™ Products
Product Name	SL™

**Physical**

Circuits (maximum)	9
Color - Resin	Black
Flammability	94V-0
Gender	Female
Glow-Wire Compliant	No
Material - Resin	Polyester Alloy
Number of Rows	1
Packaging Type	Bag
Panel Mount	No
Pitch - Mating Interface (in)	0.100 In
Pitch - Mating Interface (mm)	2.54 mm
Stackable	Yes
Temperature Range - Operating	-40°C to +105°C

**Electrical**

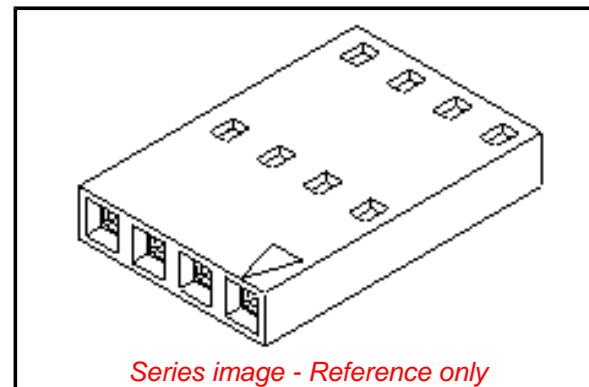
CSA	LR19980
TUV	R72081037
UL	E29179

**Material Info**

Old Part Number	70066-0008
-----------------	------------

**Reference - Drawing Numbers**

Product Specification	PS-70058
Product Specification	PS-70400
Sales Drawing	SD-70066-0001-0024



**EU RoHS**

**ELV and RoHS  
Compliant**  
**REACH SVHC  
Contains SVHC: No**  
**Halogen-Free  
Status**

**China RoHS**



**Not Halogen-Free**

**Need more information on product  
environmental compliance?**

Email [productcompliance@molex.com](mailto:productcompliance@molex.com)  
Please visit the [Contact Us](#) section for any  
non-product compliance questions.

**Search Parts in this Series**

70066 Series

**Mates With**

8624 , 70203 , 70206 , 42375 , 42377

**Use With**

70058 , 71851

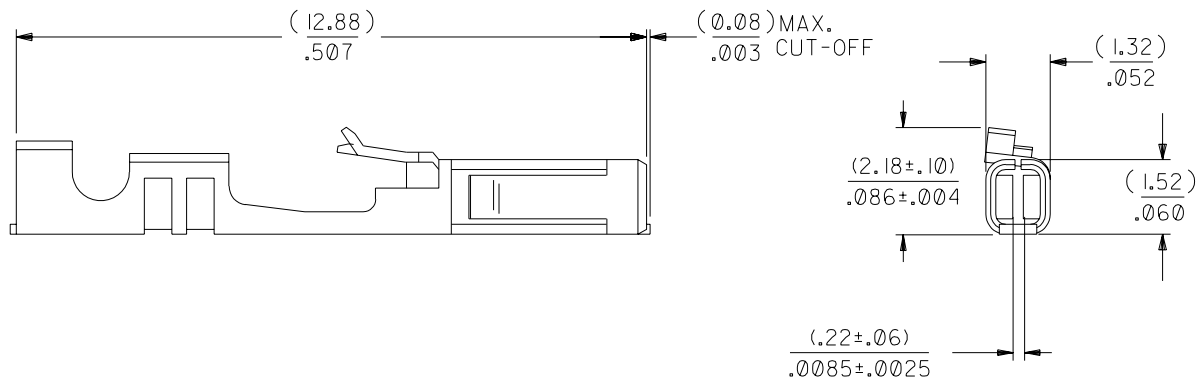
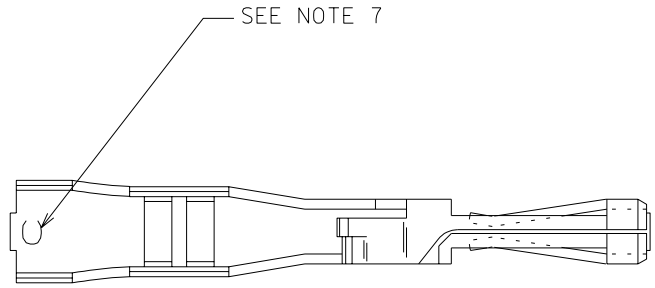
**NOTES:**

1. TERMINAL TO BE USED IN HOUSINGS 70066-\*\*\*\* AND 70450-\*\*\*\*
2. REFER TO PRODUCT SPECIFICATION PS-70058
3. REFER TO MOLEX OPERATIONS AND SERVICE MANUAL FOR CRIMP DETAILS
4. TERMINAL TO BE USED WITH (0.64)/.025 SQUARE PINS
5. TERMINAL TO BE USED WITH 22-24 AWG STRANDED WIRE WITH (1.63)/.064 MAX. DIA. INSULATION
6. TERMINALS SUPPLIED LOOSE PER DRAWING PK-70873-0822
7. CRIMP SIZE INDICATOR C=22-24 AWG

\*THE PRIMARY SHIPPING CARTON WILL BE LABELED "COMPLIANT TO RoHS DIRECTIVE 2002/95/EC AND ELV ANNEX II OF DIRECTIVE 2000/53/EC". CARTONS WITHOUT THIS LABEL MAY CONTAIN PRODUCT WITH LEAD.

**PLATING:**

.000150 MIN. TIN PLATE  
OVER NICKEL PLATE.



D	LEAD FREE UCP2004-1769 RWHITE 04/03/11	C1	REVISED PER ECR #U70928 MCCRATH 97/06/26
C3	ADD CRP SIZE&NOTE 7 ECN UDT1998-0183 MQWANG 04/17/98	C	164 PLATING WAS 102 PER ECR # U31149 08/17/93 REED
C2	REVISED ECR #U80270 MCCRATH 97/07/31	B	REDRAWN & REVISED PER ECR #U81133 03/02/88 MJM/JAS
LTR.	REVISIONS	LTR.	REVISIONS

DIMENSIONS SHOWN (METRIC) INCH	
UNLESS OTHERWISE SPECIFIED TOLERANCES: ANGULAR ± 1/2°	
3 PLACE	± .005
2 PLACE	± .01
1 PLACE	---
DRAFT WHERE APPLICABLE MUST REMAIN WITHIN DIMENSIONS	
DRWG. BY: JAS	CHK'D. BY: MJM
APP'D. BY: WAZ	SCALE: 10:1

MOLEX INCORPORATED LISLE, ILL. 60532 U.S.A.		SHEET NO. 1 OF 1 DATE 03/02/88
PART NO. 016-02-0102 DRWG. NO. SD-70058-0222		
TITLE: TERMINAL - BOX/CRIMP		
THIS DRAWING CONTAINS INFORMATION THAT IS PROPRIETARY TO MOLEX INC. AND SHOULD NOT BE USED WITHOUT WRITTEN PERMISSION.		
FILE NAME: S70058C4 DGN	DIV. DA	SIZE B



## Description:

Semi rigid PVC insulated: 80°C in air, 300V.  
22AWG (7/0.25mm) tinned copper.  
CSA type AWM I A/B (80°C in air, 300V).

## Conductors:

22AWG (7/0.25mm) tinned annealed copper bunch, meeting the requirements.  
Minimum cross-sectional area = 0.314mm<sup>2</sup>.  
Maximum lay of bunch = 20.3mm.

## Insulation:

PVC compound meeting the requirements of special (semi-rigid) PVC.  
Minimum thickness at any one point = 0.18mm (7 mils).  
Minimum average thickness = 0.23mm (9 mils).  
Nominal overall diameter = 1.25mm.

## Part Number Table

Description	Part Number
Wire, Black, 7/30AWG, 100M	7010152

**Disclaimer** This data sheet and its contents (the "Information") belong to the Premier Farnell Group (the "Group") or are licensed to it. No licence is granted for the use of it other than for information purposes in connection with the products to which it relates. No licence of any intellectual property rights is granted. The Information is subject to change without notice and replaces all data sheets previously supplied. The Information supplied is believed to be accurate but the Group assumes no responsibility for its accuracy or completeness, any error in or omission from it or for any use made of it. Users of this data sheet should check for themselves the Information and the suitability of the products for their purpose and not make any assumptions based on information included or omitted. Liability for loss or damage resulting from any reliance on the Information or use of it (including liability resulting from negligence or where the Group was aware of the possibility of such loss or damage arising) is excluded. This will not operate to limit or restrict the Group's liability for death or personal injury resulting from its negligence. Pro-Power is the registered trademark of the Group. © Premier Farnell plc 2009.