



CABLE DRAWING: CAB-0XXX (SALEM CODE)

DRAWING TITLE:
ATIM-C Internal Power Cable

DRAWING NO.: MWACAB-0040	DRAWN BY: DRC	DATE: 5-Jan-10	REV: A
		SHEET: 1 of 4	

Cable Detail:

Connectors:	Description	Parts (Qty)
SBC-J5	MOLEX - 22-01-3047 - Housing Female, 4Way	See Note1 Below(1)
	MOLEX - 08-50-0114 - Terminal, 22-30 AWG	See Note2 Below(4)
ATIM-C P4	AMP - 925367-5 - Receptacle, 2X5Way	See Note3 Below(1)
	AMP 86016-5 Crimp Socket, 24-20AWG	See Note4 Below(4)
Conductors:		
Cable1	20AWG Wire 10/0.25 PVC 600V Red	See Note5 Below(??)
Cable2	20AWG Wire 10/0.25 PVC 600V Black	See Note5 Below(??)
Cable3	20AWG Wire 10/0.25 PVC 600V Orange	See Note5 Below(??)
Misc:		
-		

Overall Length ??+/-5mm

Notes:

1. The Molex Housing can be supplied from Farnell #146-2831. Any equivalent will be OK refer to data sheets supplied with this drawing.
2. The Molex Pins can be supplied from Farnell #146-2624. Any equivalent will be OK, but must match the housing refer to data sheets supplied with this drawing.
3. The Amp Housing can be supplied from Farnell #968-9338. Any equivalent will be OK refer to data sheets supplied with this drawing.
4. The Amp Pins can be supplied from RS #973-300. Any equivalent will be OK refer to data sheets supplied with this drawing.
5. The 20AWG Cable can be supplied from PSI stock (Red = CAB-0200, Black = CAB-0197 & Orange = CAB-0198) and is standard 20AWG Hook-up Wire 10/0.25 PVC 600V. Any equivalent will be OK refer to data sheets supplied with this drawing.

REVISION

Date	Rev	Remarks
05/01/10	A	Draft

CABLE DRAWING:

CAB-0XXX (SALEM CODE)

DRAWING TITLE:

ATIM-C Internal Power Cable

DRAWING NO.:
MWACAB-0040

DRAWN BY:
DRC

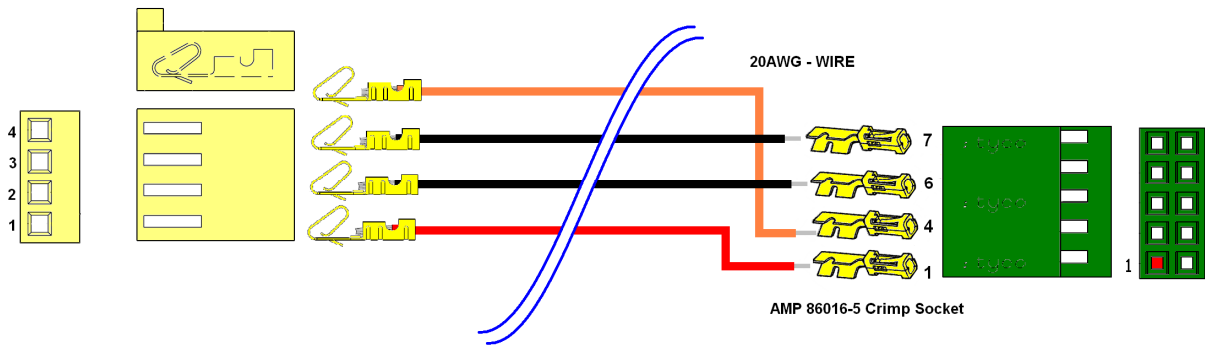
DATE: 5-Jan-10

SHEET: 2 of 4

REV:

A

Typical Drawing:



Connection Table:

SBC-J5	Description	ATIM-C-P4
Pins(4)		Pins(10)
1	+5Vmcc	1
2	0V	6
3	0V	7
4	+12Vmcc	4
	0V	8
	0V	9
	0V	10
	NC	2
	NC	3
	NC	5

REVISION

Date	Rev	Remarks
05/01/10	A	Draft

CABLE DRAWING:

CAB-0XXX (SALEM CODE)

DRAWING TITLE:

ATIM-C Internal Power Cable

DRAWING NO.:
MWACAB-0040

DRAWN BY:
DRC

DATE: 5-Jan-10

SHEET: 3 of 4

REV:

A

Assembly Details:

CRIMPING

Wire Preparation

The wire must be stripped to the dimension provided in Figure 2.

Do not nick, scrape, or cut the wire conductor during the stripping operation.

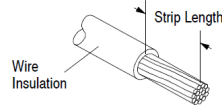


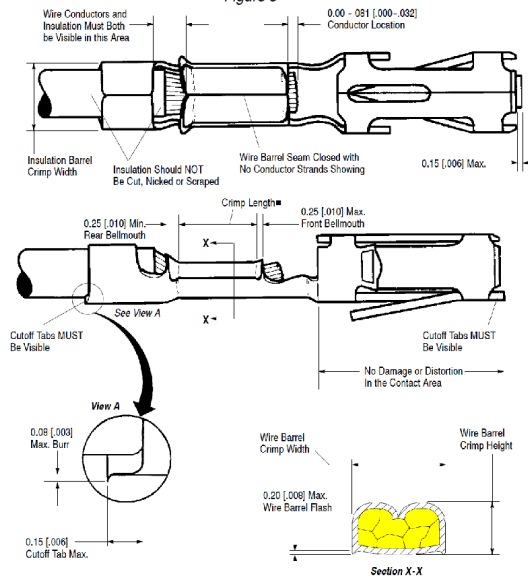
Figure 2

WIRE SIZE RANGE, (AWG)	INSUL DIA MAX.	STRIP LENGTH	WIRE BARREL		INSUL BARREL CRIMP WIDTH
			CRIMP HEIGHT	CRIMP WIDTH	
20	●	4.78-3.58	0.94-0.72	1.4	1.57
22	●	4.78-3.58	0.84-0.72		
24	●	4.78-3.58	0.83-0.64		
22	1.55	4.37-2.77	0.97-0.81	1.07	
24	1.55	4.37-2.77	0.86-0.71		
26	1.55	4.37-2.77	0.81-0.71		
26-30	1.22	4.37-2.77	0.74-0.64	1.4	1.4
27, 28	1.02	4.37-2.77	0.61-0.51	0.84	
30, 32	1.02	4.37-2.77	0.61-0.48		

Crimp Length

For optimum crimp effectiveness, the crimp must be within the area shown and must meet the crimp dimensions provided in Figure 3. Effective crimp length shall be defined as that portion of the wire barrel, excluding bellmouth(s), fully formed by the crimping tool.

Figure 3



NOTE: Comparing a crimped contact to an uncrimped contact should reveal any fault that may have occurred to front shoulder or locking lances during crimping.

■ Effective crimp length shall be 2.67 mm minimum for 20-24 AWG wire, and 2.16 mm minimum for all other wire sizes; and is defined as that portion of the wire barrel fully formed by the tool, excluding the bellmouths.

REVISION

Date	Rev	Remarks
05/01/10	A	Draft

CABLE DRAWING: **CAB-0XXX (SALEM CODE)**

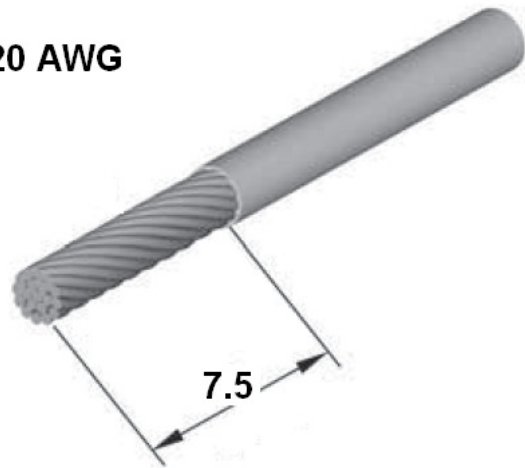
DRAWING TITLE:
ATIM-C Internal Power Cable

DRAWING NO.: MWACAB-0040	DRAWN BY: DRC	DATE: 5-Jan-10	REV: A
		SHEET: 4 of 4	

Assembly Details (Cont'):

STRIPPING

20 AWG



Connection Detail:

From: (SBC-J5) IO Power
To: (ATIM-C P4) DC Supply

REVISION

Date	Rev	Remarks
05/01/10	A	Draft

FEATURES AND SPECIFICATIONS

Features and Benefits

- Sizes 1 to 25 circuits
- 6471 is end-to-end stackable (2 housings only)
- 2695 version with or without locking ramp and polarizing ribs

Reference Information

Product Specification: PS-10-07

Packaging: Bag

UL File No.: E29179

CSA File No.: LR19980

Mates With: Molex KK 2.54mm (.100") pitch headers and 0.04mm (.025") pins

Use With: 2695—2759, 6459 or 41572 terminals

6471—4809 terminals

Designed In: Inches

Electrical*

Voltage: 250V

Current: Phosphor Bronze—4.0A max.

Brass—2.5A max.

Contact Resistance: 20mΩ max.

Dielectric Withstanding Voltage: 1500V AC

Insulation Resistance: 50K MΩ min.

Mechanical*

Contact Insertion Force: 681g (1.5 lb) max.

Contact Retention to Housing: 3.63kg (8 lb) min.

Mating Force: 199g max.

Unmating Force: 57g min.

Normal Force: 200g min.

Physical

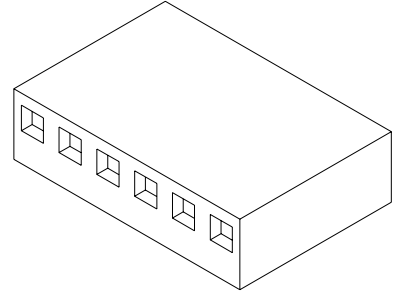
Housing: 2695—White nylon, UL 94V-0

6471—White nylon, UL 94V-0

Operating Temperature: 0 to +75 °C

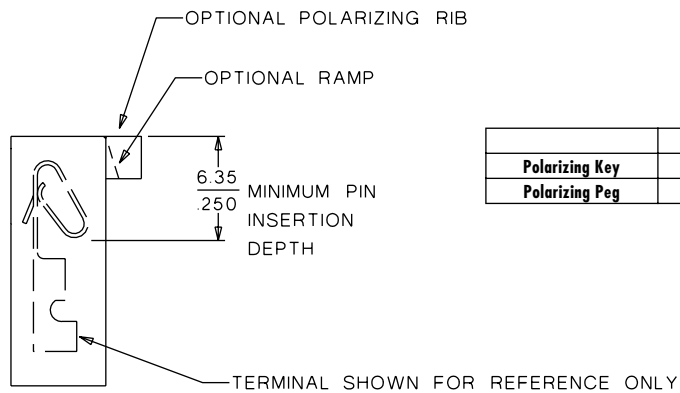
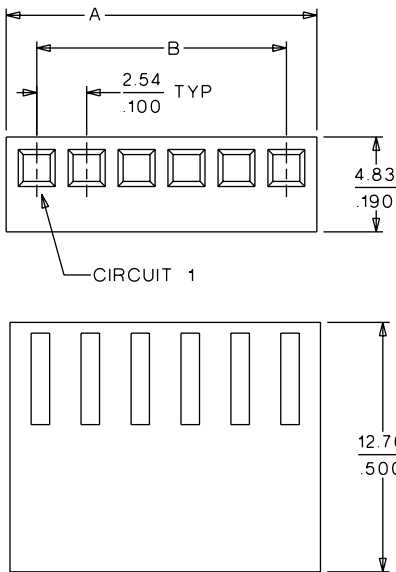
molex® 2.54mm (.100") Pitch KK® Crimp Terminal Housing

2695/6471



2.54mm (.100") Pitch

CATALOG DRAWING (FOR REFERENCE ONLY)



Note: When mating polarizing rib version with breakaway friction lock header or polarizing wall series, the end friction lock or polarizing wall of header must be removed.

	Order No.
Polarizing Key	15-04-9209
Polarizing Peg	15-04-9210

Note: 2695 shown

ORDERING INFORMATION AND DIMENSIONS

Circuits	Order No.				Dimension	
	2695		6471		A	B
	With Locking Ramp	With Locking Ramp and Polarizing Ribs	Without Locking Ramp or Ribs	With Locking Ramp and Polarizing Ribs†		
1			• 22-01-2011		3.10 (.122)	
2	• 22-01-2027	• 22-01-3027	• 22-01-2021	22-01-2025	5.60 (.220)	2.54 (.100)
3	• 22-01-2037	• 22-01-3037	• 22-01-2031	22-01-2035	8.10 (.320)	5.08 (.200)
4	• 22-01-2047	• 22-01-3047	• 22-01-2041	22-01-2045	10.70 (.420)	7.62 (.300)
5	• 22-01-2057	• 22-01-3057	• 22-01-2051	22-01-2055	13.20 (.520)	10.16 (.400)
6	• 22-01-2067	• 22-01-3067	• 22-01-2061	22-01-2065	15.80 (.620)	12.70 (.500)
7	• 22-01-2077	• 22-01-3077	• 22-01-2071	22-01-2075	18.30 (.720)	15.24 (.600)
8	• 22-01-2087	• 22-01-3087	• 22-01-2081	22-01-2085	20.90 (.820)	17.78 (.700)
9	• 22-01-2097	• 22-01-3097	• 22-01-2091	22-01-2095	23.40 (.920)	20.32 (.800)
10	• 22-01-2107	• 22-01-3107	• 22-01-2101	22-01-2105	25.90 (1.020)	22.86 (.900)
11	• 22-01-2117	• 22-01-3117	• 22-01-2111	22-01-2115	28.50 (1.120)	25.40 (1.000)
12	• 22-01-2127	• 22-01-3127	• 22-01-2121	22-01-2125	31.00 (1.220)	27.94 (1.100)

Circuits	Order No.				Dimension	
	2695		6471		A	B
	With Locking Ramp	With Locking Ramp and Polarizing Ribs	Without Locking Ramp or Ribs	With Locking Ramp and Polarizing Ribs†		
13	• 22-01-2137	• 22-01-3137	• 22-01-2131	22-01-2135	33.50 (1.320)	30.48 (1.200)
14	• 22-01-2147	• 22-01-3147	• 22-01-2141	22-01-2145	36.10 (1.420)	33.02 (1.300)
15	• 22-01-2157	• 22-01-3157	• 22-01-2151	22-01-2155	38.60 (1.520)	35.56 (1.400)
16	• 22-01-2167	• 22-01-3167	• 22-01-2161	22-01-2165	41.20 (1.620)	38.10 (1.500)
17	• 22-01-2177	• 22-01-3177	• 22-01-2171	22-01-2175	43.70 (1.720)	40.64 (1.600)
18	• 22-01-2187	• 22-01-3187	• 22-01-2181	22-01-2185	46.20 (1.820)	43.18 (1.700)
19	• 22-01-2197	• 22-01-3197	• 22-01-2191		48.80 (1.920)	45.72 (1.800)
20	• 22-01-2207	• 22-01-3207	• 22-01-2201		51.30 (2.020)	48.26 (1.900)
21	• 22-01-2217	• 22-01-3217	• 22-01-2211		53.90 (2.120)	50.80 (2.000)
22	• 22-01-2227	• 22-01-3227	• 22-01-2221		56.40 (2.220)	53.34 (2.100)
23	• 22-01-2237	• 22-01-3237	• 22-01-2231		58.90 (2.320)	55.88 (2.200)
24	• 22-01-2247	• 22-01-3247	• 22-01-2241		61.50 (2.420)	58.42 (2.300)
25	• 22-01-2257	• 22-01-3257	• 22-01-2251		64.00 (2.520)	60.96 (2.400)

* US Standard Product, available through Molex franchised distributors

* When mated with Molex product only

† For circuits 19-28, contact Molex

FEATURES AND SPECIFICATIONS

Features and Benefits

- Standard cantilever terminal
- Cantilever design provides high contact pressure
- Wiping action cleans oxides when connector is mated
- 2759 Series is Brass
- 6459 Series is Phosphor Bronze

Reference Information

Product Specification: PS-10-07
 Packaging: Bag or reel
 Tooling Information: See crimp tooling section
 UL File No.: E29179
 CSA File No.: LR19980
 Use With: 2695, 5051, 6745 and 41895 housings
 Designed In: Inches

Electrical

Voltage: 250V
 Current: 6459—4.0A
 2759—2.5A
 Contact Resistance: 20mΩ max.
 Dielectric Withstanding Voltage: 1500V
 Insulation Resistance: 50K MΩ min.

Mechanical

Wire Pull-Out Force:

Wire Gauge (AWG)	22	24	26	28	30
Pull-Out Force (lb)	10	8	6	4	3

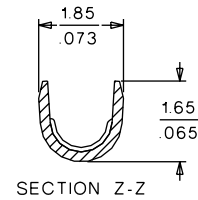
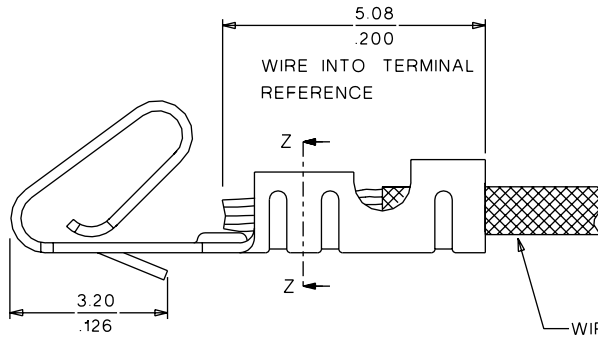
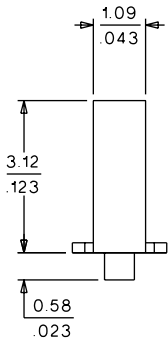
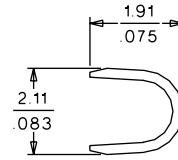
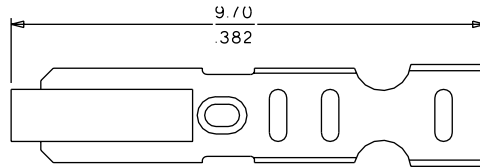
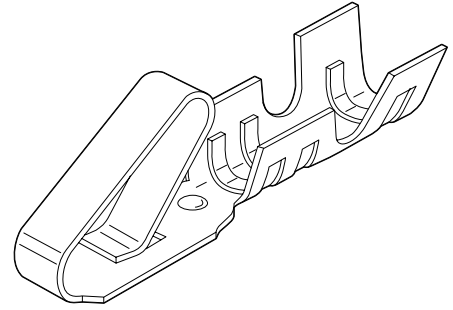
Mating Force: 255g max.
 Unmating Force: 50g min.
 Normal Force: 200g min.

Physical

Contact: 6459—Phosphor Bronze
 2759—Brass
 Plating: See Table
 Wire Accommodation: 22 to 30 AWG
 Insulation Range: 1.58mm (.062") diameter max.

molex® 2.54mm (.100") Pitch KK® Crimp Terminal

2759/6459



WIRE SHOWN FOR REFERENCE ONLY

Note: 2759 shown

ORDERING INFORMATION AND DIMENSIONS

Contact	Order No.						Wire Gauge (AWG)	Insulation OD
	Tin Plating		15μ" Gold Plating		15μ" Selective Gold Plating			
	Bag	Reel	Bag	Reel	Bag	Reel		
Brass	• 08-50-0114	• 08-50-0113	• 08-56-0110	• 08-56-0109	• 08-55-0102	• 08-55-0101	22-30	1.57 (.062)
Phosphor Bronze	• 08-52-0123	• 08-52-0101	• 08-65-0814	• 08-65-0813	• 08-65-0816	• 08-65-0815	22-30	1.57 (.062)

• US Standard Product, available through Molex franchised distributors

4

3

2

1

NUMMER 925 367
 VERWENDET FÜR E 92-9802
 WAR NR. -

ÄNDERUNGEN DIE DEM TECH-
 NISCHEN FORTSCHRITT DIENEN,
 BEHALTEN WIR UNS VOR

CAD-ORIGINAL
 ZEICHNUNG NICHT ÄNDERN

GEGENSTECKER/KONTAKT:
 MATED WITH: 826 632 167 301-4

ZEICHNUNG GESCHÜTZT DURCH
 ©COPYRIGHT 1975
 AMP DEUTSCHLAND GMBH
 ALLE RECHTE VORBEHALTEN

REV.	ÄNDERUNG	DATUM	NAME
A	925368 RELEASED FOR PROD.	01.04.76	DAHLH.
B	POLZ.x2.54-1.0 WAR POLZ.x2.54-0.2	4/76	DAHLH.
E	NEU GEZEICHNET	01.03.77	DAHLH.
F	FARBE GRÜN HINZU	4/77	DAHLH.
K	PA 6.6 WAR PA 13 GV	12.06.78	KREPP
L	-1 ENTFALLEN	06.12.78	KREPP
M	MAß 14.2 WAR 13.5	26.09.84	A.HO
N	ZEICHNUNG NEU ERSTELLT	03.07.89	A.HO
P	ZEICHNUNGS-NR. WAR 925 366-368	20.10.92	A.HO
P1	FELD FÜR GEGENSTECKER/KONTAKT: HINZU	04.08.95	A.HO
R	Geh.-Wand verst., AMP-Logo durch tyco-Logo ersetzt	08.06.00	A. Zitz
Y	Revisionsanpassung an P-Zeichnung	31.07.00	A. Zitz
Y1	Maß 5 hinzugefügt	20SEP00	A. Zitz

ZWEIREIHIG

POLZ. PRO- REIHE	L-0.2	BESTELL-NR.
-	-	-
2	5.08	925 367 -2
3	7.62	-3
4	10.16	-4
5	12.70	-5
6	15.24	-6
7	17.78	-7
8	20.32	-8
9	22.86	-9
10	25.40	1-
11	27.94	1-
12	30.48	1-
13	33.02	1-
14	35.56	1-
15	38.10	1-
16	40.64	1-
17	43.18	1-
18	45.72	1-
19	48.26	1-
20	50.80	2-
21	53.34	2-
22	55.88	2-
23	58.42	2-
24	60.96	2-
25	63.50	2-
26	66.04	2-
27	68.58	2-
28	71.12	2-
29	73.66	2-
30	76.20	3-
31	78.74	3-
32	81.28	3-
33	83.82	3-
34	86.36	3-
35	88.90	3-
36	91.44	3-
37	93.98	3-
38	96.52	3-
39	99.06	3-
40	101.60	4-
41	104.14	4-
42	106.68	4-
43	109.22	4-
44	111.76	4-
45	114.30	4-
46	116.84	4-
47	119.38	4-
48	121.92	4-
49	124.46	4-
50	127.00	5- 925 367 -0

		ZEICHNUNG GÜLTIG AB KW. 32/95	
		AMP DEUTSCHLAND G.m.b.H. Langen b.Ffm., West Germany	
		BENENNUNG	
		AMP MODU IV GEHÄUSE, ZWEIREIHIG	
Polyamid			
WERKSTOFF		OBERFLÄCHE	NICHT TOLERIERTE MASSE
		FARBE	± 0.2mm
			± -
		MASSTAB	FORMAT
		2:1	A3
		BLATT	ZEICHNUNGS-NR.
		1 VON 1	925367
		REV.	Y1

GEZ. 05.12.75
 DAHLHEIMER

GEPR.
 KREPP

30-OCT-00

13:55:43

eg003977

s.925367.1.c (in EDM)

HOOK-UP WIRE

PVC INSULATION

MIL-W-16878E TYPE B
105°C, 600 VOLT

CHARACTERISTICS

OPERATING TEMPERATURE:

- -55°C to 105°C

VOLTAGE RATING:

- 600 Volt

PRODUCT DESCRIPTION:

- Conductor: Stranded Tinned Copper
- Insulation: Color-Coded PVC

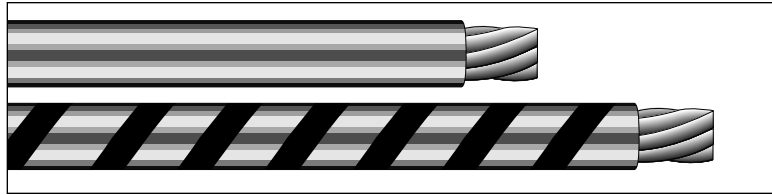
SPECIFICATIONS

- MIL-W-16878E Type B



AVAILABILITY

- 100 ft (30,5m), 1000 ft (305m) put-ups



Alpha Part No.	Type Designation	Conductor AWG	Strand	Insul. Thickness Inches	mm	Diameter Inches	mm	Stock Colors*
1850	B-32	32	7/40	0.010	0,25	0.028	0,71	1-6
1851†	B-30	30	7/38	0.010	0,25	0.032	0,81	1-6
1852†	B-28	28	7/36	0.010	0,25	0.034	0,86	1-10
1853†	B-26	26	7/34	0.010	0,25	0.038	0,96	1-19
1854†	B-24	24	7/32	0.010	0,25	0.043	1,09	1-19
1854/19	B-24	24	19/36	0.010	0,25	0.043	1,09	1-19
1855†	B-22	22	7/30	0.010	0,25	0.050	1,27	1-19
1855/19	B-22	22	19/34	0.010	0,25	0.050	1,27	1-19
1856†	B-20	20	7/28	0.010	0,25	0.058	1,47	1-19
1856/19	B-20	20	19/32	0.010	0,25	0.058	1,47	1-19
1857	B-18	18	7/26	0.010	0,25	0.068	1,73	1-19
1857/19	B-18	18	19/30	0.010	0,25	0.068	1,73	1-19
1858/19	B-16	16	19/29	0.010	0,25	0.077	1,96	1-19
1859/19	B-14	14	19/27	0.010	0,25	0.091	2,31	1-10

† Also meets MIL-W-76B Type LW
*See color chart below

169

UL 1015, CSA TEW-105
105°C, 600 VOLT

PVC INSULATION

CHARACTERISTICS

OPERATING TEMPERATURE:

- -20°C to 105°C

VOLTAGE RATING:

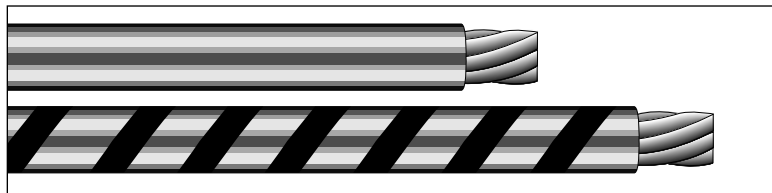
- 600 Volt

PRODUCT DESCRIPTION:

- Conductor: Stranded Tinned Copper
- Insulation: Color-Coded PVC

SPECIFICATIONS

- UL AWM Style 1015
- CSA TEW-105



Alpha Part No.	Conductor AWG	Strand	Insul. Thickness Inches	mm	Diameter Inches	mm	Stock Colors*
3070	24	7/32	0.032	0,81	0.088	2,24	1-10+28
3071	22	7/30	0.032	0,81	0.094	2,38	1-10+28,29
3073	20	10/30	0.032	0,81	0.100	2,54	1-10+28
3075	18	16/30	0.032	0,81	0.112	2,85	1-10+28,29
3077	16	26/30	0.032	0,81	0.124	3,14	1-10+28,29
3079	14	41/30	0.032	0,81	0.134	3,61	1-10+28,29
3080	12	65/30	0.032	0,81	0.162	3,93	1-4
3081	10	105/30	0.032	0,81	0.180	4,83	1-4

*See color chart below

AVAILABILITY

- 100 ft (30,5m), 1000 ft (305m) put-ups

*STOCK COLOR CHART

1-White	3-Red	5-Yellow	7-Brown	9-Gray	11-White/Black	13-White/Green	15-White/Blue	17-White/Orange	19-White/Violet	29-Yellow/Green
2-Black	4-Green	6-Blue	8-Orange	10-Violet (purple)	12-White/Red	14-White/Yellow	16-White/Brown	18-White/Gray	28-Green/Yellow	30-Pink

Web Site: www.alphawire.com
Email: info@alphawire.com

Toll Free: 1-800-52 ALPHA • Telephone: 908-925-8000 • Fax: 908-925-6923
Europe/UK Telephone: +44 (0) 1932 772422 • Europe/UK Fax: +44 (0) 1932 772433

