

CABLE DRAWING: **CAB-0XXX (SALEM CODE)**

DRAWING TITLE:
SBC IO Module to ATIM-T Internal Cable

DRAWING NO.: MWACAB-0039	DRAWN BY: DRC	DATE: 4-Jan-10	REV: A
		SHEET: 1 of 3	

Cable Detail:

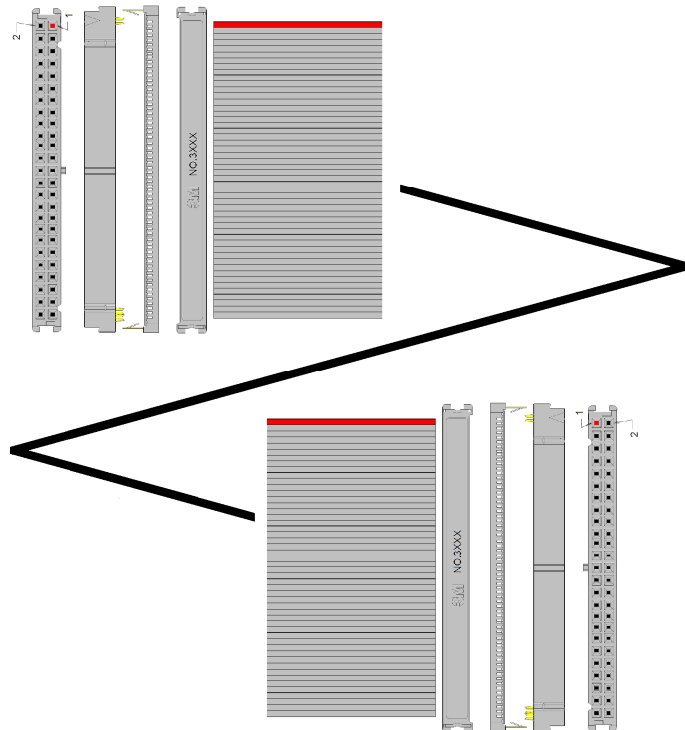
Connectors:	Description	Parts (Qty)
SBC-IO	50way IDC Socket	See Note1 Below(1)
ATIM-T	50way IDC Socket	See Note1 Below(1)
Conductors:		
Cable	Ribbon Cable, Flat, 50Way	See Note2 Below(??)
Misc:		

Overall Length ??+/-5mm

Notes:

1. 50way IDC connector can be supplied from Farnell #110-7850 or PSI Stock # CON-0224. Any equivalent will be OK refer to data sheets supplied with this drawing.
2. The ribbon cable can be supplied from RS #363-727 or PSI Stock # PC-0007. Any equivalent will be OK refer to data sheets supplied with this drawing.

Typical Drawing:



REVISION

Date	Rev	Remarks
04/01/10	A	Draft



CABLE DRAWING:

CAB-0XXX (SALEM CODE)

DRAWING TITLE:

SBC IO Module to ATIM-T Internal Cable

DRAWING NO.: MWACAB-0039	DRAWN BY: DRC	DATE: 4-Jan-10	REV: A
		SHEET: 2 of 3	

Pinouts Table:

SBC-IO Pins(50)	J4-J3	J3-J10	ATIM-T Pins(50)
1	DI7	RPM1	1
2	BPFCtI7	RPM2	2
3	DI6	G1	3
4	BPFCtI6	G2	4
5	DI5	OUT1	5
6	BPFCtI5	OUT2	6
7	DI4	RPM3	7
8	BPFCtI4	RPM4	8
9	DI3	G3	9
10	BPFCtI3	G4	10
11	DI2	OUT3	11
12	BPFCtI2	OUT4	12
13	DI1	RPM5	13
14	BPFCtI1	OUT5	14
15	DI0	G5	15
16	BPFCtI0	FOUT	16
17	DO7	RPM6	17
18	R22A	IN7	18
19	DO6	G6	19
20	Fan2	G7	20
21	DO5	OUT6	21
22	Fan4	OUT7	22
23	DO4	IN8	23
24	Fan6	IN9	24
25	DO3	G8	25
26	Fan1	G9	26
27	DO2	OUT8	27
28	Fan3	OUT9	28
29	DO1	IN10	29
30	Fan5	OUT10	30
31	DO0	G10	31
32	R22D	IRQ	32
33	ATCEN	48VC on	33
34	P2B7	Alarm48C	34
35	ATCRst	48VB on	35
36	P2B6	Alarm48B	36
37	WalshEN	48VA on	37
38	P2B5	Alarm48A	38
39	WalshRst	12V on	39
40	P2B4	Alarm12	40

REVISION

Date	Rev	Remarks
04/01/10	A	Draft



CABLE DRAWING:

CAB-0XXX (SALEM CODE)

DRAWING TITLE:

SBC IO Module to ATIM-T Internal Cable

DRAWING NO.:
MWACAB-0039

DRAWN BY:
DRC

DATE: 4-Jan-10

SHEET: 3 of 3

REV:

A

Pinouts Table Cont':

SBC-IO Pins(50)	J4-J3	J3-J10	ATIM-T Pins(50)
41	Spare1	5V on	41
42	P2B3	Alarm5	42
43	Spare0	I2C ena	43
44	Spare2	AlarmPri	44
45	RD	I2C reset	45
46	Drdy	NC	46
47	WR	PwrLed	47
48	Spare3	SW ON	48
49	+5mcc	+5Vmcc	49
50	0V	0V	50

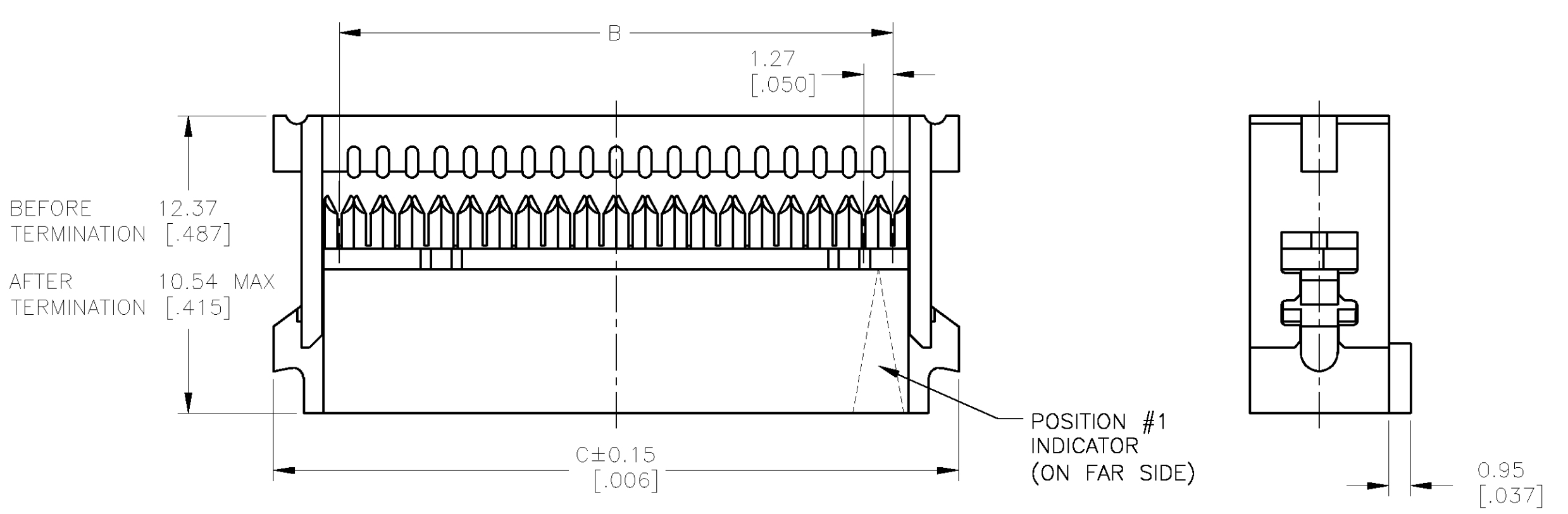
Connection Detail:

From: (SBC-IO) SBO-IO Connector (J4 or J3)

To: (ATIM-T) ATIM-T PCB Connector (J3 or J10)

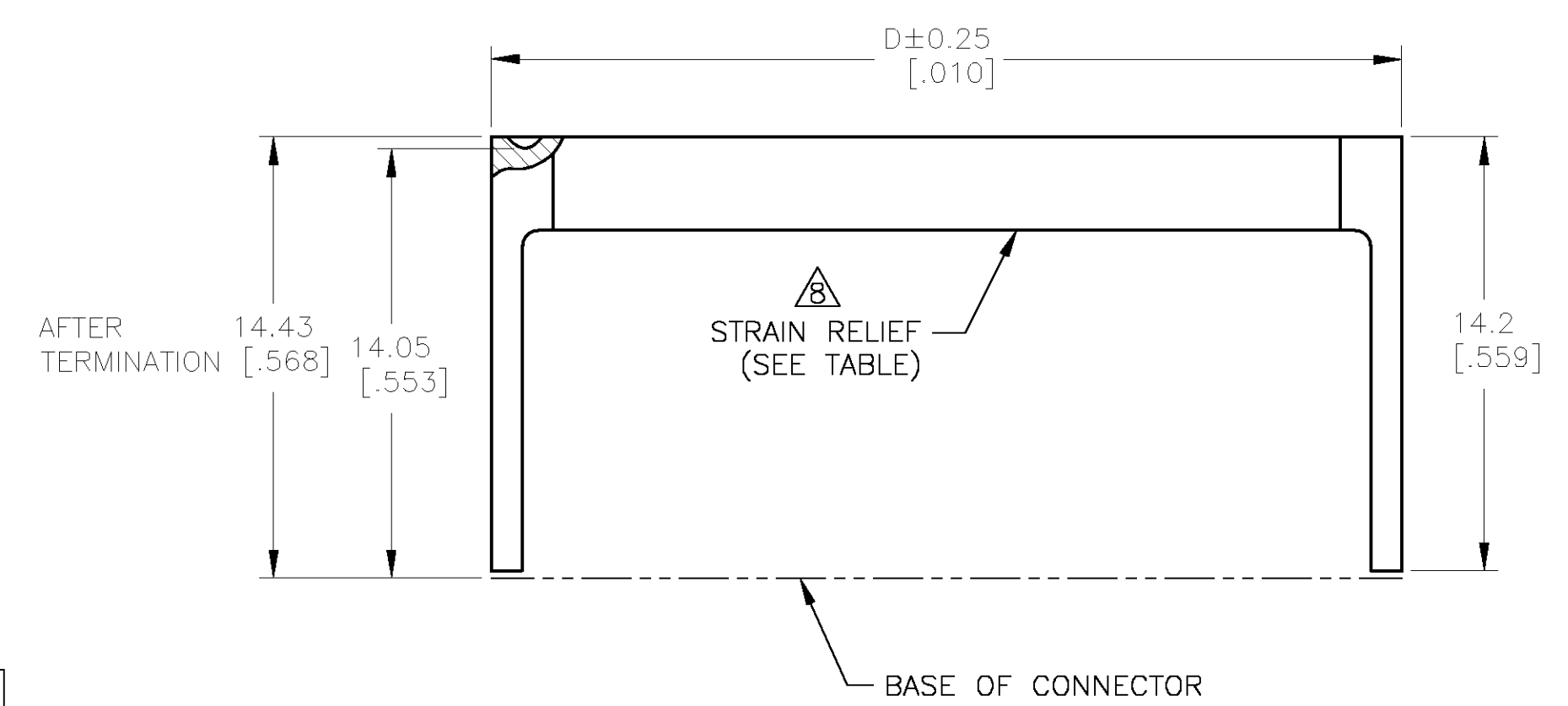
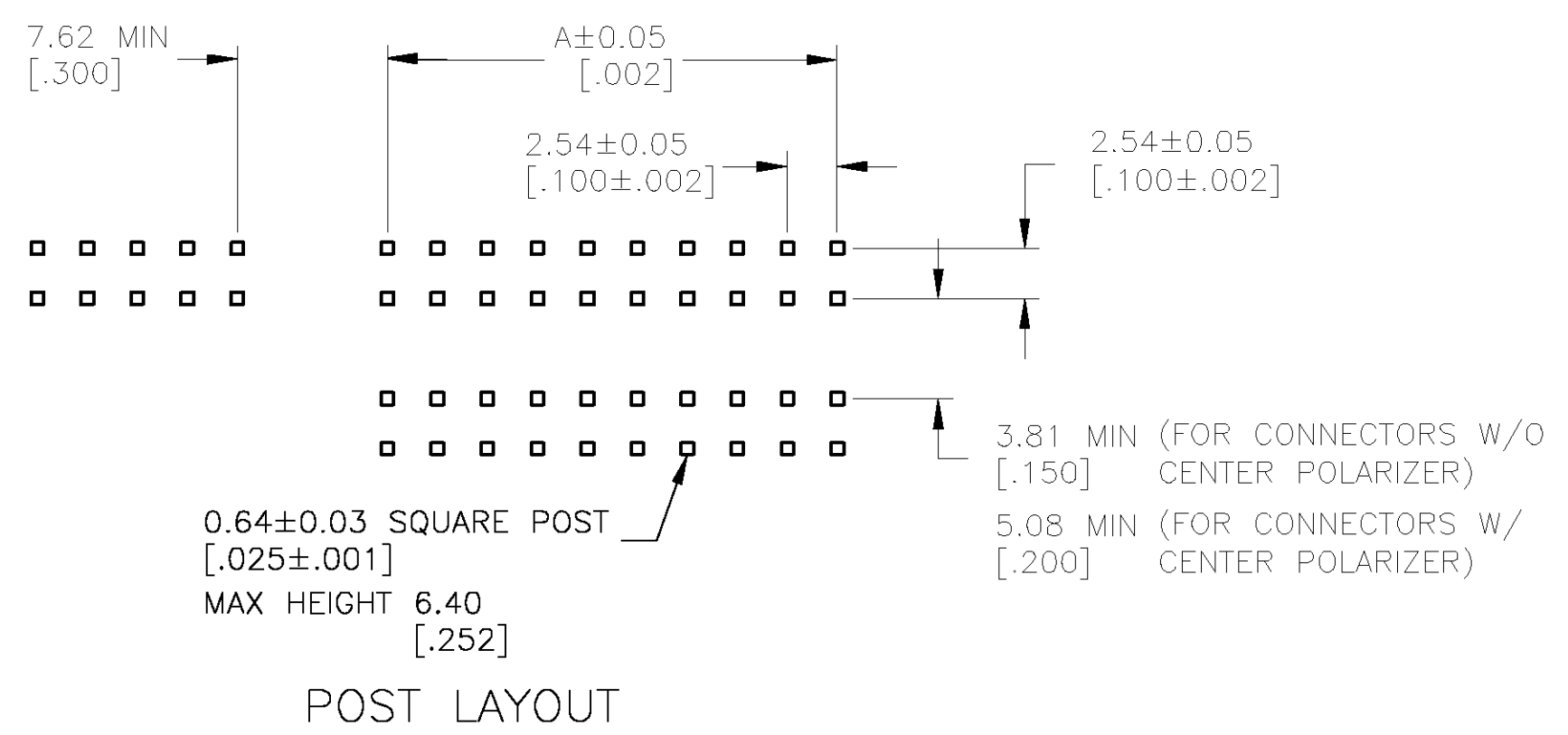
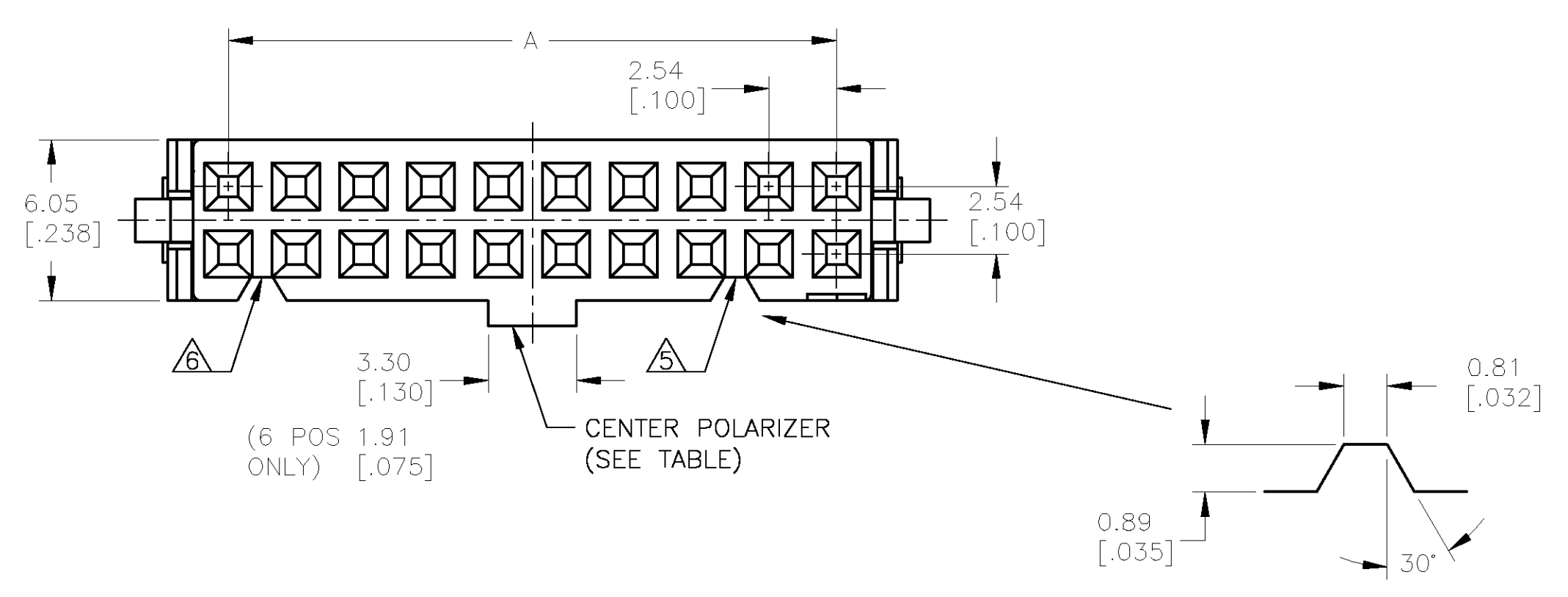
REVISION

Date	Rev	Remarks
04/01/10	A	Draft



POLARIZING KEY
 TYCO PART NUMBER: 1-1437023-2
 T&B PART NUMBER (REF): 609-0000
 PURCHASE SEPARATELY

- 20 POSITION CONNECTOR ASSEMBLY SHOWN.
- MOLDED PARTS: THERMOPLASTIC, UL94V-0 RATED, COLOR BLUE. CONTACTS: BERYLLIUM COPPER.
- CONTACTS: 0.00076[.000030] MIN GOLD ON MATING AREA, 0.00254-0.00508[.000100-.000200] TIN ON TERMINATION END, ALL OVER 0.00127[.000050] MIN NICKEL ON ENTIRE CONTACT.
- CONTACTS: 0.00127[.000050] MIN GOLD ON MATING AREA, 0.00254-0.00508[.000100-.000200] TIN ON TERMINATION END, ALL OVER 0.00127[.000050] MIN NICKEL ON ENTIRE CONTACT.
- POLARIZER FEATURE DOES NOT EXIST ON POSITION #1 END FOR 14 POSITION AND SMALLER ASSEMBLIES.
- POLARIZER FEATURE DOES NOT EXIST ON THIS END FOR 6 POSITION ASSEMBLY.
- FOR TERMINATION OF 28 OR 30 AWG STRANDED PVC INSULATED FLAT RIBBON CABLE.
- STRAIN RELIEF PACKAGED SEPARATELY AND SHIPPED WITH ASSEMBLY.



YES	YES	3	85.65[3.372]	85.75[3.376]	80.01[3.150]	78.74[3.100]	64	609-6441LF	4-1658526-5
NO	YES	3	-	85.75[3.376]	80.01[3.150]	78.74[3.100]	64	609-6430LF	4-1658526-4
YES	YES	3	67.87[2.672]	67.97[2.676]	62.23[2.450]	60.96[2.400]	50	609-5041LF	2-1658526-4
NO	YES	3	-	67.97[2.676]	62.23[2.450]	60.96[2.400]	50	609-5030LF	2-1658526-3
YES	NO	3	67.87[2.672]	67.97[2.676]	62.23[2.450]	60.96[2.400]	50	609-5001MLF	2-1658526-2
NO	NO	3	-	67.97[2.676]	62.23[2.450]	60.96[2.400]	50	609-5000MLF	4-1658526-3
YES	YES	3	55.17[2.172]	55.27[2.176]	49.53[1.950]	48.26[1.900]	40	609-4041LF	2-1658526-1
NO	YES	3	-	55.27[2.176]	49.53[1.950]	48.26[1.900]	40	609-4030LF	2-1658526-0
YES	NO	3	55.17[2.172]	55.27[2.176]	49.53[1.950]	48.26[1.900]	40	609-4001MLF	4-1658526-2
NO	NO	3	-	55.27[2.176]	49.53[1.950]	48.26[1.900]	40	609-4000MLF	4-1658526-1
YES	YES	3	50.09[1.972]	50.19[1.976]	44.45[1.750]	43.18[1.700]	36	609-3641LF	4-1658526-0
NO	YES	3	-	50.19[1.976]	44.45[1.750]	43.18[1.700]	36	609-3630LF	3-1658526-8
YES	YES	3	47.55[1.872]	47.65[1.876]	41.91[1.650]	40.64[1.600]	34	609-3441LF	1-1658526-9
NO	YES	3	-	47.65[1.876]	41.91[1.650]	40.64[1.600]	34	609-3430LF	1-1658526-8
YES	NO	3	47.55[1.872]	47.65[1.876]	41.91[1.650]	40.64[1.600]	34	609-3401MLF	3-1658526-7
NO	NO	3	-	47.65[1.876]	41.91[1.650]	40.64[1.600]	34	609-3400MLF	1-1658526-7
YES	YES	3	37.39[1.472]	37.49[1.476]	31.75[1.250]	30.48[1.200]	26	609-2641LF	1-1658526-6
NO	YES	3	-	37.49[1.476]	31.75[1.250]	30.48[1.200]	26	609-2630LF	1-1658526-5
YES	NO	3	37.39[1.472]	37.49[1.476]	31.75[1.250]	30.48[1.200]	26	609-2601MLF	3-1658526-6
NO	NO	3	-	37.49[1.476]	31.75[1.250]	30.48[1.200]	26	609-2600MLF	3-1658526-5
YES	YES	3	34.85[1.372]	34.95[1.376]	29.21[1.150]	27.94[1.100]	24	609-2441LF	3-1658526-4
NO	YES	3	-	34.95[1.376]	29.21[1.150]	27.94[1.100]	24	609-2430LF	1-1658526-4
NO	NO	3	-	34.95[1.376]	29.21[1.150]	27.94[1.100]	24	609-2400MLF	3-1658526-3
YES	YES	3	29.77[1.172]	29.87[1.176]	24.13[.950]	22.86[.900]	20	609-2041LF	1-1658526-3
NO	YES	3	-	29.87[1.176]	24.13[.950]	22.86[.900]	20	609-2030LF	1-1658526-2
YES	NO	3	29.77[1.172]	29.87[1.176]	24.13[.950]	22.86[.900]	20	609-2001MLF	3-1658526-2
NO	NO	3	-	29.87[1.176]	24.13[.950]	22.86[.900]	20	609-2000MLF	3-1658526-0
NO	NO	4	-	29.87[1.176]	24.13[.950]	22.86[.900]	20	609-2000MP005LF	3-1658526-1
YES	YES	3	24.69[.972]	24.79[.976]	19.05[.750]	17.78[.700]	16	609-1641LF	1-1658526-1
NO	YES	3	-	24.79[.976]	19.05[.750]	17.78[.700]	16	609-1630LF	2-1658526-9
YES	NO	3	24.69[.972]	24.79[.976]	19.05[.750]	17.78[.700]	16	609-1601MLF	1-1658526-0
NO	NO	3	-	24.79[.976]	19.05[.750]	17.78[.700]	16	609-1600MLF	2-1658526-8
YES	YES	3	22.15[.872]	22.25[.876]	16.51[.650]	15.24[.600]	14	609-1441LF	1658526-9
NO	YES	3	-	22.25[.876]	16.51[.650]	15.24[.600]	14	609-1430LF	1658526-8
YES	NO	3	22.15[.872]	22.25[.876]	16.51[.650]	15.24[.600]	14	609-1401MLF	1658526-7
NO	NO	3	-	22.25[.876]	16.51[.650]	15.24[.600]	14	609-1400MLF	1658526-6
YES	YES	3	17.07[.672]	17.17[.676]	11.43[.450]	10.16[.400]	10	609-1041LF	1658526-5
NO	YES	3	-	17.17[.676]	11.43[.450]	10.16[.400]	10	609-1030LF	1658526-4
YES	NO	3	17.07[.672]	17.17[.676]	11.43[.450]	10.16[.400]	10	609-1001MLF	2-1658526-7
NO	NO	3	-	17.17[.676]	11.43[.450]	10.16[.400]	10	609-1000MLF	1658526-3
YES	YES	3	11.99[.472]	12.09[.476]	6.35[.250]	5.08[.200]	6	609-0641LF	1658526-2
NO	YES	3	-	12.09[.476]	6.35[.250]	5.08[.200]	6	609-0630LF	1658526-1
YES	NO	3	11.99[.472]	12.09[.476]	6.35[.250]	5.08[.200]	6	609-0601MLF	2-1658526-6
NO	NO	3	-	12.09[.476]	6.35[.250]	5.08[.200]	6	609-0600MLF	2-1658526-5

ELECTRICAL PROPERTIES	
CURRENT RATING	1 AMP
INSULATION RESISTANCE	>1 x 10 ⁹ OHMS @ 500 VDC
DWV	>500 VRMS AT SEA LEVEL
ENVIRONMENTAL PROPERTIES	
TEMPERATURE RATING	-55°C TO 125°C

**COPYRIGHT 2003
 TYCO ELECTRONICS CORP
 ALL RIGHTS RESERVED**

THIS DRAWING IS A CONTROLLED DOCUMENT.

DRN: J. GERACE 30SEP03
 CHK: C. ROHDE 30SEP03
 APVD: M. WALMSLEY 30SEP03

TYCO Electronics Tyco Electronics Corporation
 Harrisburg, Pa 17105-3608

CONNECTION ASSEMBLY, FEMALE SOCKET TRANSITION

SIZE: A1 CASE CODE: 00779 DRAWING NO: 1658526 RESTRICTED TO: B
 SCALE: 10:1 SHEET: 1 OF 1 REV: B

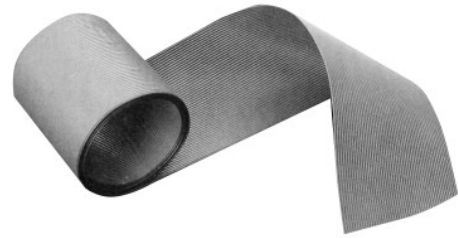
CUSTOMER DRAWING

.050" PITCH FLAT CABLE

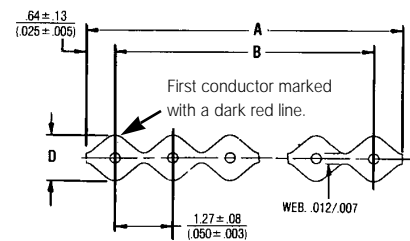
SERIES 171 – 28 AWG (7/36) STRANDED

SERIES 173 – 28 AWG SOLID

SERIES 179 – 26 AWG (7/34) STRANDED



CATALOG SERIES	SPECIFICATIONS						
	171		173		179		
Wire Size AWG	28 Stranded		28 Solid		26 Stranded		
Insulation Material	PVC		PVC		PVC		
Conductor Spacing mm (in)	1.27 (.050)		1.27 (.050)		1.27 (.050)		
Temperature Rating (°C)	105		105		105		
Voltage Rating (RMS)	300		300		300		
Impedance Ohms	100		105		93		
Capacitance pF/M (pF/FT)	46 (14)		44.3 (13.5)		49.5 (15.1)		
Inductance μH/M (μH/FT)	.46 (.14)		.49 (.15)		.43 (.13)		
Velocity of Propagation nS/M (nS/FT)	4.53 (1.38)		4.53 (1.38)		4.43 (1.35)		
Insulation Resistance Ohms/Ft	10 ¹⁰		10 ¹⁰		10 ¹⁰		
Typical Crosstalk Characteristics	Rise Time nSec	3.0	7.0	3.0	7.0	3.0	7.0
	Near End (%)	5.0	3.2	4.8	3.1	5.2	3.8
10FT Sample 1 line driven	Far End (%)	6.7	2.7	7.3	2.9	6.1	2.3
	UL Style No.	2651		2651		2651	



CABLE SERIES	DIMENSIONS IN MM (INCHES)	
	D	
171	.91 (.036)	
173	.91 (.036)	
179	1.02 (.040)	

Ordering Information

28 GAUGE STRANDED	CATALOG NUMBERS		26 GAUGE SOLID	NO. OF POS.	DIMENSIONS IN MM (INCHES)		TOLERANCE
	28 GAUGE SOLID				A	B	
171-10ED	173-10	—	—	10	12.70 (.500)	11.43 (.450)	± .18 (±.007)
171-12	—	—	—	12	15.24 (.600)	13.97 (.550)	
171-14	173-14	179-14	—	14	17.78 (.700)	16.51 (.650)	
171-15	173-15	—	—	15	19.05 (.750)	17.78 (.700)	± .25 (±.010)
171-16	173-16	—	—	16	20.32 (.800)	19.05 (.750)	
171-20	173-20	—	—	20	25.40 (1.000)	24.13 (.950)	
171-24ED	173-24	179-24	—	24	30.48 (1.200)	29.21 (1.150)	
171-25	173-25	—	—	25	31.75 (1.250)	30.48 (1.200)	
171-26	173-26	—	—	26	33.02 (1.300)	31.75 (1.250)	
171-28	—	—	—	28	35.56 (1.400)	34.29 (1.350)	± .38 (±.015)
171-30ED	—	—	—	30	38.10 (1.500)	36.83 (1.450)	
171-34	173-34	—	—	34	43.18 (1.700)	41.91 (1.650)	
171-36	—	179-36	—	36	45.72 (1.800)	44.45 (1.750)	
171-37	173-37	—	—	37	46.99 (1.850)	45.72 (1.800)	
171-40ED	173-40	—	—	40	50.80 (2.000)	49.53 (1.950)	
171-44	173-44	—	—	44	55.88 (2.200)	54.61 (2.150)	± .38 (±.015)
171-50	173-50	179-50	—	50	63.50 (2.500)	62.23 (2.450)	
171-56	173-56	—	—	56	71.12 (2.800)	69.85 (2.750)	
171-60	173-60	—	—	60	76.20 (3.000)	74.93 (2.950)	
171-64	—	—	—	64	81.28 (3.200)	80.01 (3.150)	