

CABLE DRAWING: CAB-0XXX (SALEM CODE)

DRAWING TITLE:
SBC Mains Power Cable

DRAWING NO.: MWACAB-0031	DRAWN BY: DRC	DATE: 18-Dec-09	REV: A
		SHEET: 1 of 2	

Cable Detail:

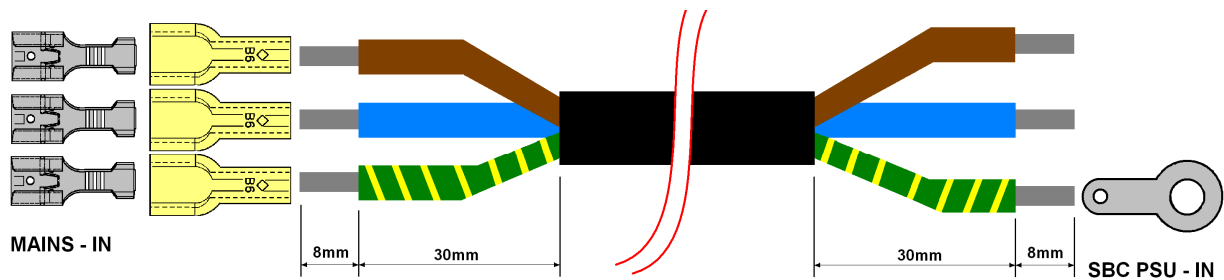
Connectors:	Description	Parts (Qty)
Mains-IN	SPADEF-6.35 Spade F/6.35 x 0.8	See Note1 Below(3)
Earth	M3/6BA Solder Tag on Earth, Flying leads on Live/Neutral	See Note2 Below(1)
Conductors:		
Cable	3-Core Mains CABLE, 24/0.2mm, Colour (BL,BRN,GRN/YEL) , 6 Amp	See Note3 Below(??)
Misc:		
Cover	Spade Cover STOCKO F/EH-0017 EH 629 PVC	See Note4 Below(3)

Overall Length ??+/-5mm

Notes:

1. The Spade Terminal can be supplied from Farnell #117-4957 or PSI stock (CON-0191). Any equivalent will be OK refer to data sheets supplied with this drawing.
2. The Solder Tag can be supplied from RS #186-7860 or PSI Stock (CON-0268). Any equivalent will be OK refer to data sheets supplied with this drawing.
3. The cable can be supplied from Farnell #117-9221 or PSI stock (CAB-0222) Any equivalent will be OK refer to data sheets supplied with this drawing
4. The Covers can be supplied from Farnell #114-1848. Any equivalent will be OK refer to data sheets supplied with this drawing

Typical Drawing:



REVISION

Date	Rev	Remarks
18/12/09	A	Draft

CABLE DRAWING:

CAB-0XXX (SALEM CODE)

DRAWING TITLE:

SBC Mains Power Cable

DRAWING NO.:
MWACAB-0031

DRAWN BY:
DRC

DATE: 18-Dec-09

SHEET: 2 of 2

REV:

A

Assembly Details:

UL approvals and correct crimping only ensured on products crimped with STOCKO applicators.

	Correct	Incorrect	Incorrect
Conductor crimp		 Crimp height too high Volume too small	 Over-crimped! Volume too small Worn punch
Insulation crimp		 Volume too small	 Crimp height too low Volume too small
		 Volume too large	 Volume too small
		 Volume too large	 Crimp height too high Volume too small
Length adjustment		 Cable inserted too deep Insulation in wire crimping bucket	 Cable inserted not deep enough Insulation invisible

Connection Detail:

From: (Mains-IN)

Attached to the mains input connector terminals

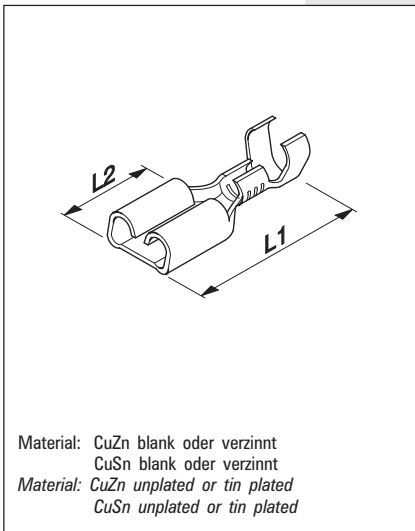
To: (SBC PSU-IN)

Attached to the SBC PSU unit.

REVISION

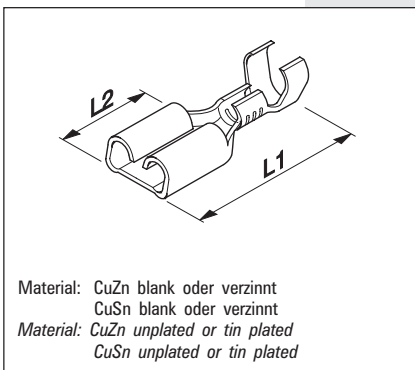
Date	Rev	Remarks
18/12/09	A	Draft

Lötfreie Flachsteckhülsen ohne Isolation Solderless receptacles, non insulated



Artikel-Nummer <i>Part number</i>	ähnlich <i>similar to</i> DIN 46247	Leiter- querschnitt <i>Wire size</i> mm ² AWG	Steck- dicke <i>Tab</i> thickness mm	Abmessungen mm <i>Dimensions mm</i>		Verp.-Einh. Stück <i>Standard</i> packing <i>Piece</i>
				L 1	L 2	
RS 7785.003 F 2,8-1	●	0,5-1 20-18	0,8	13,8	6,3	2000
RS 7785.002 F 2,8-1	●	0,5-1 20-18	0,5	13,8	6,3	2000
RS 7603 F 4,8-1	●	0,5-1 20-18	0,8	16	6,0	1000
RS 7603.001 F 4,8-1		0,5-1 20-18	0,5	16	6,0	1000
RS 7604 F 4,8-2,5	●	1-2,5 16-14	0,8	16	6,0	1000
RS 7604.001 F 4,8-2,5		1-2,5 16-14	0,5	16	6,0	1000
RS 7900 F 6,3-1	●	0,5-1 20-18	0,8	19	7,4	1000
RS 7901 F 6,3-2,5	●	1-2,5 16-14	0,8	19	7,4	1000
RS 8152 F 6,3-6	●	>2,5-6 12-10	0,8	19	7,4	1000
RS 7960.020 F 6,3-1 verriegelbar / <i>self-locking</i>	●	0,5-1 20-18	0,8	19,3	7,7	1000
RS 7961.020 F 6,3-2,5 verriegelbar / <i>self-locking</i>	●	>1-2,5 16-14	0,8	19,3	7,7	1000

Lötfreie Flachsteckhülsen ohne Isolation Solderless receptacles, non insulated



Artikel-Nummer <i>Part number</i>	ähnlich <i>similar to</i> DIN 46330	Leiter- querschnitt <i>Wire size</i> mm ² AWG	Steck- dicke <i>Tab</i> thickness mm	Abmessungen mm <i>Dimensions mm</i>		Verp.-Einh. Stück <i>Standard</i> packing <i>Piece</i>
				L 1	L 2	
RS 7605 F 2,8-0,25		0,1-0,25 26-22	0,8	12,5	5,0	2000
RS 7605.001 F 2,8-0,25		0,1-0,25 26-22	0,5	12,5	5,0	2000
RS 7607 F 2,8-0,5		0,25-0,5 22	0,8	12,5	5,0	2000
RS 7607.001 F 2,8-0,5		0,25-0,5 22	0,5	12,5	5,0	2000
RS 7606 F 2,8-1	●	0,5-1 20-18	0,8	12,5	5,0	2000
RS 7606.001 F 2,8-1		0,5-1 20-18	0,5	12,5	5,0	2000



PART NO.

601

REVISIONS

ECN #	REV	DESCRIPTION	DRAWN	DATE	CHECKD	DATE	APPRVD	DATE
-	A	RELEASED	Kavitha	10/9/07	Suresh	10/9/07	G. C	25/9/07

Specifications:

Maximum Electric Current :

AWG	16	14
Ampere	10	15

Wire Range

: 16 - 14 A.W.G. (1.5 - 2.5mm²).

Nema Tab

: 0.032 inch x 0.250 inch (0.8mm x 6.35mm).

Surface Treatment

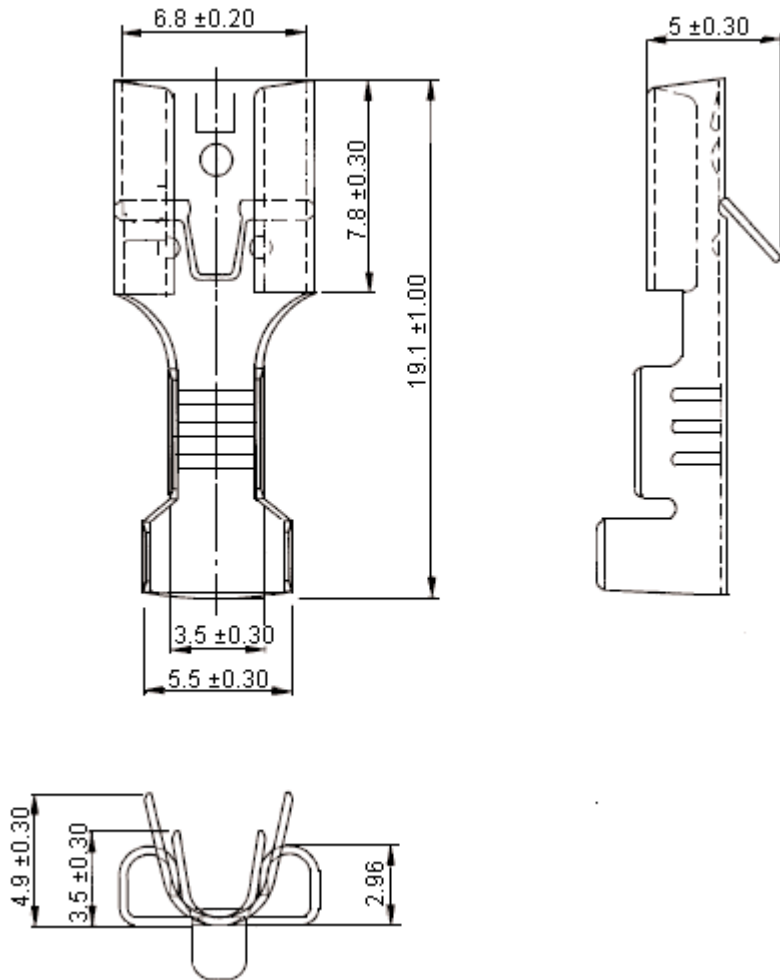
: LR : Loose Piece, Standard Chemical Treatment
 LT : Loose Piece, Tin Plated.

Thickness

: 0.30mm.

Part Number Table

Description	Part Number
Terminal, Female 0.8 x 6.35	601



Dimensions : Millimetres

<http://www.farnell.com>

<http://www.newark.com>

<http://www.cpc.co.uk>

This data sheet and its contents (the "Information") belong to the Premier Farnell Group (the "Group") or are licensed to it. No licence is granted for the use of it other than for information purposes in connection with the products to which it relates. No licence of any intellectual property rights is granted. The Information is subject to change without notice and replaces all data sheets previously supplied. The Information supplied is believed to be accurate but the Group assumes no responsibility for its accuracy or completeness, any error in or omission from it or for any use made of it. Users of this data sheet should check for themselves the Information and the suitability of the products for their purpose and not make any assumptions based on information included or omitted. Liability for loss or damage resulting from any reliance on the Information or use of it (including liability resulting from negligence or where the Group was aware of the possibility of such loss or damage arising) is excluded. This will not operate to limit or restrict the Group's liability for death or personal injury resulting from its negligence. SPC MULTICOMP is the registered trademark of the Group. © Premier Farnell plc 2007.

TOLERANCES:

UNLESS OTHERWISE SPECIFIED, DIMENSIONS ARE FOR REFERENCE PURPOSES ONLY.

DRAWN BY:	DATE:
Kavitha	10/09/07
CHECKED BY:	DATE:
Suresh	10/09/07
APPROVED BY:	DATE:
G.Cook	25/09/07

DRAWING TITLE:

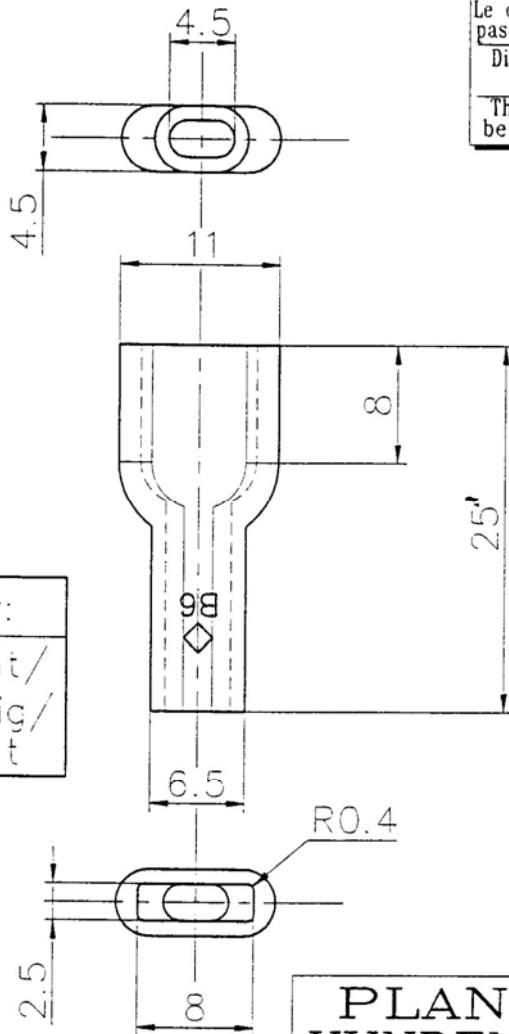
601 - Female Terminal

SIZE A	DWG NO. M10000612	ELECTRONIC FILE 601_DWG	REV A
SCALE: NTS	U.O.M.: mm	SHEET: 1 OF 1	

Ce dessin ne peut être reproduit ni communiqué à des tiers sans notre accord, et reste notre propriété. Tout contrevenant s'expose à des poursuites.
 Diese Zeichnung darf ohne unsere Genehmigung weder vervielfältigt, noch dritten Personen zugänglich gemacht werden und bleibt unser Eigentum. Zuwiderhandlung ist strafbar.
 Toute erreur est à signaler de suite au B.E.
 Zeichnungsunstimmigkeiten sind sofort der EW zu melden.

Ce document est la propriété de STOCKO CONTACT S.A. et ne peut être reproduit ou communiqué sans son accord écrit.
 Für diese Unterlagen behalten wir uns alle Rechte vor.
 All rights reserved in respect of this document.

Le détenteur de cette copie ne sera pas informé en cas de modification
 Diese Kopie wird bei Änderungen nicht berücksichtigt
 The bearer of this copy will not be notified in case of changes



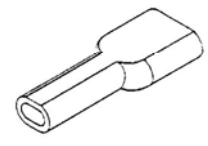
Couleur/Farbe/Color:
 Noir/Schwarz/Black | Transparent/Durchsichtig/Transparent

PLAN CLIENT
KUNDENZEICHNUNG
CUSTOMER DRAWING

Matière: / Material: | Plage de température d'utilisation: /
 Betriebstemperaturbereich: /
 Operating temperature range:

PVC
 Souple / Weich /
 Supple

-25/+75°C



SFA

Destinataires	
Verteilung	
Service	Nbre
Abteilung	Anz.
SBM	1
SLK	1
HEL	1
SCE	1
LA	1
SQ	1
CR	1
PM	1
SA	1

				Untol. Maße	zul. Abw.	Norm	
				Cotes non tolérancées	Tol. autoris. ±	Norme	-----
				> 0 bis/à 6	0.15	Maßstab:	2:1
				> 6 bis/à 30	0.3	Echelle:	
				> 30 bis/à 100	0.45		
				2000	Datum	Name	
				Date		Nom	
				Bearb.	22.02	FLECKSTEIN	
				Exécut.			
1	MISE A JOUR DIFFUSION + COTES	19.12	R.F.	Gep.	---	Ersatz für:	-----
		2000		Vérif.	---	Remplace:	-----
Nr.	Änderung	Datum	Name	Gen.	22.02	Ersetzt durch:	-----
N°	Modification	Date	Nom	Approu.		Rempl. par:	-----

Artikelbezeichnung / Désignation article
EH 629

Zeichnung
 Dessin
 629EHC



Referenz-Nr. N° référence	Artikel-Nr. / N° article
	1 2 3 4 5 6 7 8 9 10 11 12 13 14 15 16 17

PRODUCT INFORMATION

**PART NUMBER:**

Varies with colour and packing.

DESCRIPTION:

Circular 3-core, 0.75mm² (24/0.2mm) Tinned Copper, 150°C Silicone Rubber Insulated, laid up, 85°C PVC Sheathed, 300/500V.
BS 6141, Table 10, (now withdrawn).

CONDUCTORS:

0.75mm² tinned annealed copper bunch meeting the requirements of BS 6360, class 5.
Maximum resistance at 20°C = 20.0Ω/km.
Approximate diameter = 1.3mm.

INSULATION:

Type EI 2 silicone rubber meeting the requirements of BS EN 50363.
Minimum average radial thickness = 0.6mm.
Nominal diameter = 2.5mm.

LAY UP:

One Green/Yellow, one Blue, and one Brown core.

SCREEN:

Not applicable.

SHEATH:

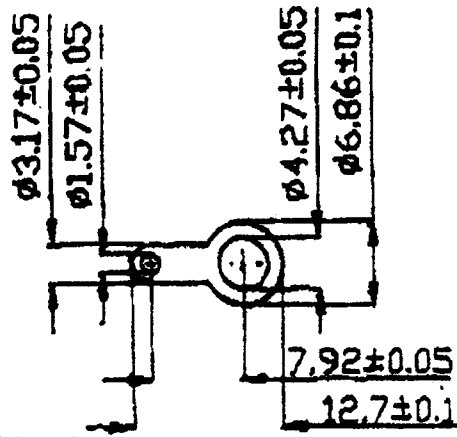
Type 4 PVC compound meeting the requirements of BS 6746 (now withdrawn).
Minimum average radial thickness = 0.8mm.
Minimum overall diameter = 6.4mm.
Nominal overall diameter = 6.8mm.
Maximum overall diameter = 8.0mm.

SERVICE DATA:

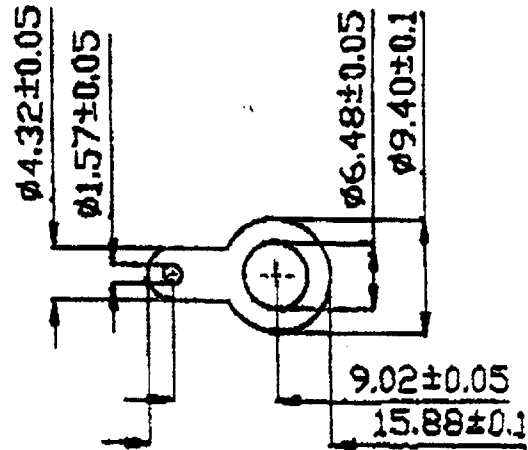
For use with appliances and equipment in domestic or similar environments for ordinary duty.

Rated Voltage (U_o/U): 300/500V.
Maximum Conductor Operating Temperature: +85°C.
Minimum Installation and Bending Temperature: +5°C.
Minimum Operating Temperature: -15°C (not subjected to flexing or vibration).
Approximate Mass per Unit Length: 79kg/km.

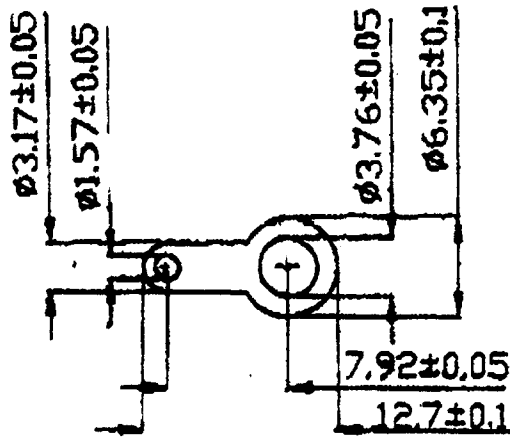
RS 186-7848



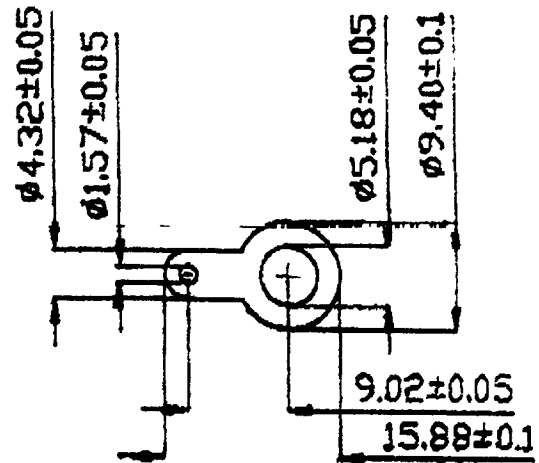
RS 186-7826



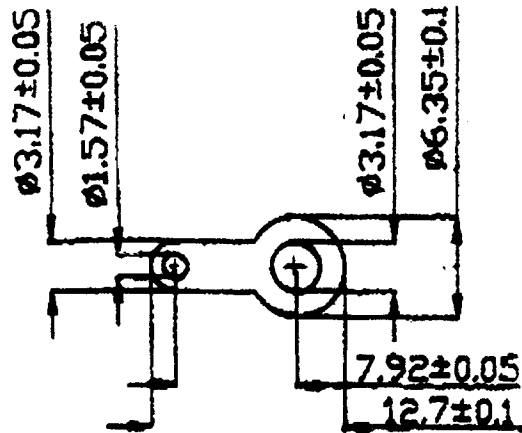
RS 186-7854



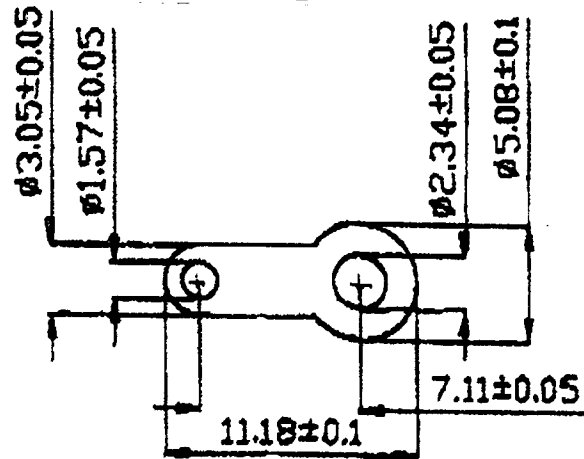
RS 186-7832



RS 186-7860



RS 186-7876



第三角法 :



單位 UNIT:

mm



No.

設備内容

日期

△		△		△		△			
---	--	---	--	---	--	---	--	--	--