

CABLE DRAWING: CAB-0XXX (SALEM CODE)

DRAWING TITLE:
PSU DC Power Cable

DRAWING NO.: MWACAB-0028	DRAWN BY: DRC	DATE: 18-Dec-09	REV: A
		SHEET: 1 of 2	

Cable Detail:

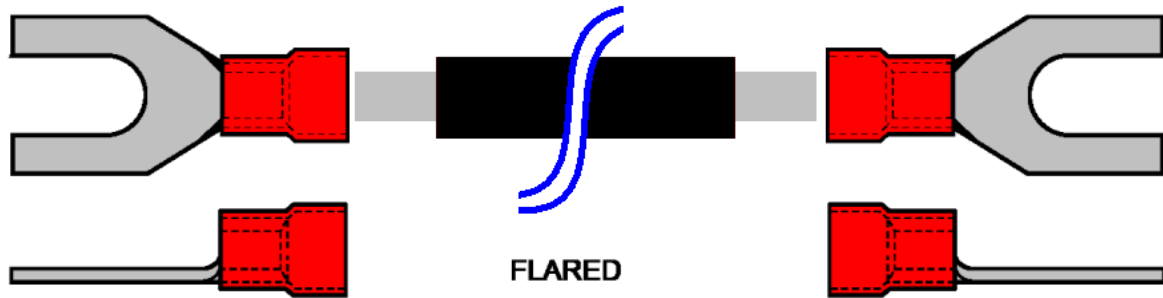
Connectors:	Description	Parts (Qty)
Terminal	JST - FVWS1.25-B3A - Crimp, Fork, 3mm, Red	See Note1 Below(2)
Conductors:		
Cable	PRO POWER 163126 - Wire, Black, 26/30AWG	See Note2 Below(??)

Overall Length ??+/-5mm

Notes:

1. The JST Fork Terminal can be supplied from Farnell #999-3029. Any equivalent will be OK refer to data sheets supplied with this drawing.
2. The cable can be supplied from Farnell #117-7553. Any equivalent will be OK refer to data sheets supplied with this drawing

Typical Drawing:



Connection Detail:

From: (DC Power) Attached to the DC terminals on the PSU
 To: (DC Power) Attached to the PSU PCB Terminals.

REVISION

Date	Rev	Remarks
18/12/09	A	Draft

CABLE DRAWING:

CAB-0XXX (SALEM CODE)

DRAWING TITLE:

PSU DC Power Cable

DRAWING NO.:
MWACAB-0028

DRAWN BY:
DRC

DATE: 18-Dec-09

REV:

SHEET: 2 of 2

A

Assembly Details:

UL approvals and correct crimping only ensured on products crimped with STOCKO applicators.

	Correct	Incorrect	Incorrect
Conductor crimp		 Crimp height too high Volume too small	 Over-crimped! Volume too small Worn punch
Insulation crimp		 Volume too small	 Crimp height too low Volume too small
		 Volume too large	 Volume too small
		 Volume too large	 Crimp height too high Volume too small
Length adjustment		 Cable inserted too deep Insulation in wire crimping bucket	 Cable inserted not deep enough Insulation invisible

REVISION

Date	Rev	Remarks
18/12/09	A	Draft

Solderless terminals

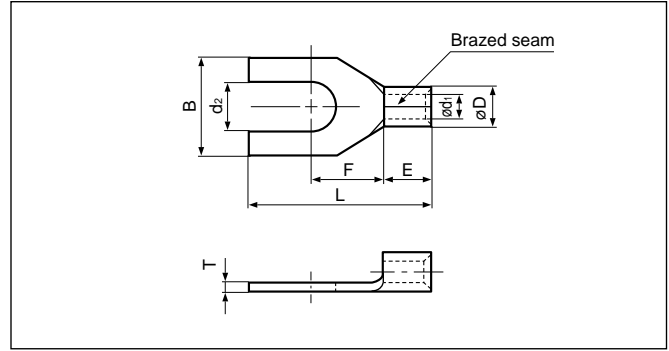


SPADE TONGUE (A type) Non-insulated



Actual

Refer to page 145 for actual size of the terminal. (except for 1.25-2A)



File No.: E42024 LR20812

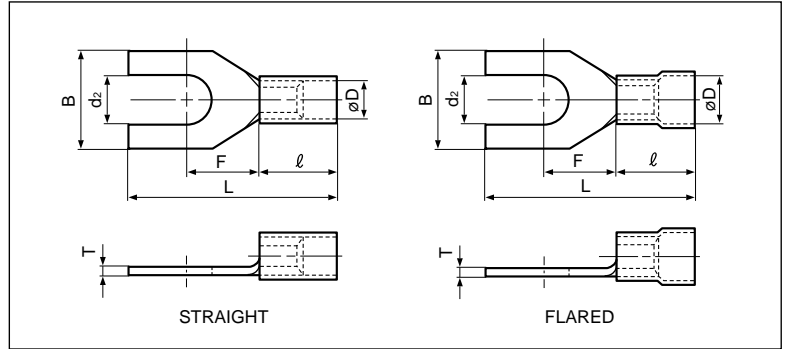
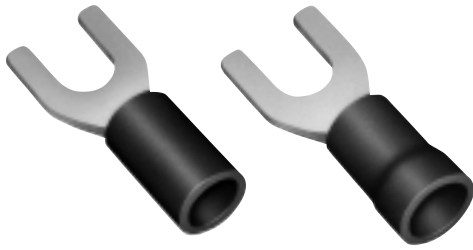
Applicable Wire AWG#(mm ²)	Stud size		Part No.	Standard	Dimensions mm (in.)								Tool No.	Qty/box
	American	Metric			d ₂	B	L	F	E	ø D	ø d ₁	T		
26 to 22 (0.2 to 0.5)	1-2	2	0.5-2A		2.2 (.087)	4.6 (.181)	12.8 (.504)	4.5 (.177)	4.0 (.157)	2.0 (.079)	1.0 (.039)	0.5 (.020)	YHT-2622 YA-1 YA-2 BCT-0514	1,000
	3-4	3	0.5-3A		3.2 (.126)	5.0 (.197)	12.5 (.492)	6.0 (.236)						
	5-6	3.5	0.5-3.7A		3.7 (.146)	6.4 (.252)	15.0 (.591)	7.7 (.303)						
	8	4	0.5-4A		4.3 (.169)	7.0 (.276)	16.2 (.638)	6.3 (.248)						
22 to 16 (0.25 to 1.65)	1-2	2	1.25-2A		2.2 (.087)	4.6 (.181)	14.6 (.575)	4.3 (.169)	4.8 (.189)	3.4 (.134)	1.7 (.067)	0.8 (.031)	YHT-2210 YA-1 YA-2 YA-4 BCT-0514	1,000
	3-4	3	1.25-C3A		3.2 (.126)	5.6 (.221)	15.8 (.622)	6.3 (.248)						
	3-4	3	1.25-B3A		3.2 (.126)	5.8 (.228)	15.8 (.622)	6.3 (.248)						
	3-4	3	1.25-M3A		3.2 (.126)	6.35 (.250)	16.0 (.630)	8.0 (.315)						
	5-6	3.5	1.25-C3.5A		3.7 (.146)	5.6 (.221)	15.8 (.622)	6.3 (.248)						
	5-6	3.5	1.25-B3.5A		3.7 (.146)	5.8 (.228)	15.8 (.622)	6.3 (.248)						
	5-6	3.5	1.25-N3A		3.7 (.146)	6.2 (.244)	15.8 (.622)	6.3 (.248)						
	5-6	3.5	1.25-YS3A		3.7 (.146)	6.4 (.252)	15.4 (.606)	6.3 (.248)						
	5-6	3.5	1.25-S3A		3.7 (.146)	7.2 (.283)	15.8 (.622)	6.3 (.248)						
	5-6	3.5	1.25-P3A		3.7 (.146)	7.5 (.295)	13.8 (.543)	5.5 (.217)						
	8	4	1.25-YS4A		4.3 (.169)	6.4 (.252)	15.4 (.606)	6.3 (.248)						
	8	4	1.25-S4A		4.3 (.169)	7.2 (.283)	15.8 (.622)	6.3 (.248)						
	8	4	1.25-4A		4.3 (.169)	8.5 (.335)	15.8 (.622)	7.0 (.276)						
	10	5	1.25-S5A		5.3 (.209)	7.2 (.283)	15.8 (.622)	6.3 (.248)						
10	5	1.25-M5A		5.3 (.209)	8.5 (.335)	15.8 (.622)	7.0 (.276)							
10	5	1.25-5A		5.3 (.209)	9.5 (.374)	15.8 (.622)	7.0 (.276)							
1/4	6	1.25-6A		6.4 (.252)	12.0 (.472)	22.0 (.866)	11.0 (.433)							
16 to 14 (1.04 to 2.63)	3-4	3	2-N3A		3.2 (.126)	5.9 (.232)	15.8 (.622)	6.3 (.248)	4.8 (.189)	4.1 (.161)	2.3 (.091)	0.8 (.031)	YHT-2210 YA-1 YA-2 YA-4 BCT-0514	1,000
	3-4	3	2-M3A		3.2 (.126)	6.0 (.236)	14.5 (.571)	5.0 (.197)						
	5-6	3.5	2-C3.5A		3.7 (.146)	5.6 (.220)	15.8 (.622)	6.3 (.248)						
	5-6	3.5	2-YS3A		3.7 (.146)	6.4 (.252)	15.4 (.606)	6.3 (.248)						
	5-6	3.5	2-S3A		3.7 (.146)	7.2 (.283)	16.0 (.630)	6.5 (.256)						
	5-6	3.5	2-3A		3.7 (.146)	8.5 (.335)	16.8 (.661)	7.3 (.287)						
	8	4	2-YS4A		4.3 (.169)	6.4 (.252)	15.4 (.606)	6.3 (.248)						
	8	4	2-YM4A		4.3 (.169)	6.8 (.268)	15.4 (.606)	6.3 (.248)						
	8	4	2-S4A		4.3 (.169)	7.2 (.283)	16.0 (.630)	6.5 (.256)						
	8	4	2-4A		4.3 (.169)	8.5 (.335)	16.8 (.661)	7.3 (.287)						
	10	5	2-M5A		5.3 (.209)	8.5 (.335)	16.8 (.661)	7.3 (.287)						
	10	5	2-5A		5.3 (.209)	9.5 (.374)	16.8 (.661)	7.3 (.287)						
1/4	6	2-6A		6.4 (.252)	12.0 (.472)	22.0 (.866)	11.0 (.433)							
12 to 10 (2.63 to 6.64)	5-6	3.5	5.5-S3A		3.7 (.146)	7.2 (.283)	19.5 (.768)	7.5 (.295)	6.8 (.268)	5.6 (.220)	3.4 (.134)	1.0 (.039)	YHT-2210 YA-1 YA-2 YA-4 BCT-0514	1,000
	5-6	3.5	5.5-3A		3.7 (.146)	9.5 (.374)	19.5 (.768)	7.5 (.295)						
	8	4	5.5-S4A		4.3 (.169)	8.5 (.335)	19.5 (.768)	7.5 (.295)						
	8	4	5.5-4A		4.3 (.169)	9.5 (.374)	19.5 (.768)	7.5 (.295)						
	10	5	5.5-5A		5.3 (.209)	9.5 (.374)	19.5 (.768)	7.5 (.295)						
	1/4	6	5.5-6A		6.4 (.252)	13.5 (.532)	25.5 (1.004)	12.2 (.480)						
5/16	8	5.5-8A		8.4 (.331)	13.5 (.532)	25.5 (1.004)	12.2 (.480)	500						

Note:1) The part numbers indicated in the above table are for products with a brazed seam.

When ordering products with a butted seam, add the prefix "WS" to the part number (ex. 2-4A → **WS2-4A**).

2) Delivery lead times may vary depending on the product. Contact JST for details.

SPADE TONGUE (A type) Vinyl-insulated



File No.: E42024 LR20812

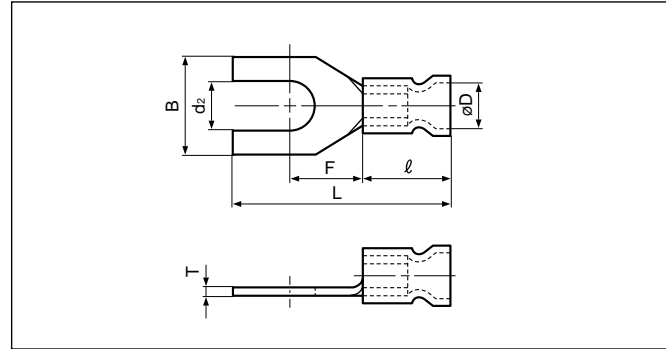
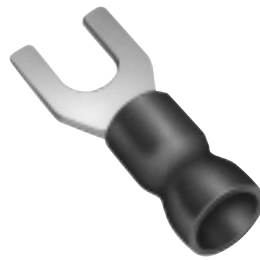
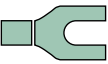
Applicable Wire AWG#(mm ²)	Stud size		Part No.		Standard	Dimensions mm (in.)							Color	Tool No.	Qty/box	
	American	Metric	Straight	Flared		d ₂	B	L	F	ℓ	ø D					T
													Str.	Fld.		
26 to 22 (0.2 to 0.5)	3-4	3	V0.5-3A	FV0.5-3A		3.2 (.126)	5.0 (.197)	16.5 (.650)	6.0 (.236)	8.0 (.315)	1.9 (.075)	2.9 (.114)	0.5 (.020)	Yellow	YNT-2622 YA-1, YA-2 BCT-0514	1,000
	5-6	3.5	V0.5-3.7A	FV0.5-3.7A		3.7 (.146)	6.4 (.252)	19.0 (.748)	7.7 (.303)							
22 to 16 *(0.25 to 1.65)	1-2	2	V1.25-2A	FV1.25-2A		2.2 (.087)	4.6 (.181)	18.8 (.740)	4.3 (.169)	9.0 (.354)	3.2 (.126)	4.0 (.157)	0.8 (.031)	Red	YNT-2216 YA-1 YA-2 YA-4 BCT-0514	1,000
	3-4	3	V1.25-B3A	FV1.25-B3A		3.2 (.126)	5.8 (.228)	20.0 (.787)	6.3 (.248)							
	5-6	3.5	V1.25-C3.5A	-		3.7 (.146)	5.6 (.220)	20.0 (.787)	6.3 (.248)							
	5-6	3.5	V1.25-N3A	FV1.25-N3A		3.7 (.146)	6.2 (.244)	20.0 (.787)	6.3 (.248)							
	5-6	3.5	V1.25-YS3A	FV1.25-YS3A		3.7 (.146)	6.4 (.252)	19.6 (.772)	6.3 (.248)							
	5-6	3.5	V1.25-S3A	FV1.25-S3A		3.7 (.146)	7.2 (.284)	20.0 (.787)	6.3 (.248)							
	5-6	3.5	V1.25-P3A	FV1.25-P3A		3.7 (.146)	7.5 (.295)	18.0 (.709)	5.5 (.217)							
	8	4	V1.25-YS4A	FV1.25-YS4A		4.3 (.169)	6.4 (.252)	19.6 (.772)	6.3 (.248)							
	8	4	V1.25-S4A	FV1.25-S4A		4.3 (.169)	7.2 (.284)	20.0 (.787)	6.3 (.248)							
	8	4	V1.25-4A	FV1.25-4A		4.3 (.169)	8.5 (.335)	20.0 (.787)	7.0 (.276)							
	10	5	V1.25-S5A	FV1.25-S5A		5.3 (.209)	7.2 (.284)	20.0 (.787)	6.3 (.248)							
	10	5	V1.25-M5A	FV1.25-M5A		5.3 (.209)	8.5 (.335)	20.0 (.787)	7.0 (.276)							
10	5	V1.25-5A	FV1.25-5A		5.3 (.209)	9.5 (.374)	20.0 (.787)	7.0 (.276)								
1/4	6	V1.25-6A	FV1.25-6A		6.4 (.252)	12.0 (.472)	26.2 (1.032)	11.0 (.433)								
16 to 14 (1.04 to 2.63)	3-4	3	V2-N3A	FV2-N3A		3.2 (.126)	5.9 (.232)	20.0 (.787)	6.3 (.248)	9.0 (.354)	3.9 (.154)	4.5 (.177)	0.8 (.031)	Blue	YNT-1614 YA-1 YA-2 YA-4 BCT-0514	1,000
	3-4	3	V2-M3A	FV2-M3A		3.2 (.126)	6.0 (.236)	18.7 (.736)	5.0 (.197)							
	5-6	3.5	V2-YS3A	FV2-YS3A		3.7 (.146)	6.4 (.252)	19.6 (.772)	6.3 (.248)							
	5-6	3.5	V2-S3A	FV2-S3A		3.7 (.146)	7.2 (.284)	20.2 (.795)	6.5 (.256)							
	5-6	3.5	V2-3A	FV2-3A		3.7 (.146)	8.5 (.335)	21.0 (.827)	7.3 (.287)							
	8	4	V2-YS4A	FV2-YS4A		4.3 (.169)	6.4 (.252)	19.6 (.772)	6.3 (.248)							
	8	4	V2-YM4A	FV2-YM4A		4.3 (.169)	6.8 (.268)	19.6 (.772)	6.3 (.248)							
	8	4	V2-S4A	FV2-S4A		4.3 (.169)	7.2 (.284)	20.2 (.795)	6.5 (.256)							
	8	4	V2-4A	FV2-4A		4.3 (.169)	8.5 (.335)	21.0 (.827)	7.3 (.287)							
	10	5	V2-M5A	FV2-M5A		5.3 (.209)	8.5 (.335)	21.0 (.827)	7.3 (.287)							
10	5	V2-5A	FV2-5A		5.3 (.209)	9.5 (.374)	21.0 (.827)	7.3 (.287)								
1/4	6	V2-6A	FV2-6A		6.4 (.252)	12.0 (.472)	26.2 (1.032)	11.0 (.433)								
12 to 10 (2.63 to 6.64)	5-6	3.5	V5.5-S3A	FV5.5-S3A		3.7 (.146)	7.2 (.283)	26.2 (1.032)	7.5 (.295)	13.5 (.531)	5.4 (.213)	6.8 (.268)	1.0 (.039)	Yellow	YNT-1210S YA-4 BCT-0514	500
	5-6	3.5	V5.5-3A	FV5.5-3A		3.7 (.146)	9.5 (.374)	26.2 (1.032)	7.5 (.295)							
	8	4	V5.5-S4A	FV5.5-S4A		4.3 (.169)	8.5 (.335)	26.2 (1.032)	7.5 (.295)							
	8	4	V5.5-4A	FV5.5-4A		4.3 (.169)	9.5 (.374)	26.2 (1.032)	7.5 (.295)							
	10	5	V5.5-5A	FV5.5-5A		5.3 (.209)	9.5 (.374)	26.2 (1.032)	7.5 (.295)							
	1/4	6	V5.5-6A	FV5.5-6A		6.4 (.252)	13.5 (.532)	32.2 (1.268)	12.2 (.480)							
5/16	8	V5.5-8A	FV5.5-8A		8.4 (.331)	13.5 (.532)	32.2 (1.268)	12.2 (.480)								

- Note: 1) *The crimping will be more secure if the total cross-sectional area of the wire is at least 0.5 mm².
 Examples: If the cross-sectional area of the wire is 0.3mm², fold the wire in two when crimping the terminal.
 If the cross-sectional area of the wire is 0.5mm², crimp the terminal onto the wire as it is.
- 2) The part numbers indicated in the above table are for products with a brazed seam.
 When ordering products with a butted seam, add the prefix "WS" to the part number (ex. V2-4A → **VWS2-4A**).
- 3) To order products with nylon insulation, change the "V" in the part number prefix to "N" (ex. V2-4A → **N2-4A**).
 Because nylon absorbs moisture, care must be taken concerning storage.
- 4) Delivery lead times may vary depending on the product. Contact JST for details.

Solderless terminals



SPADE TONGUE (A type) Vinyl-insulated (funnel-entry)



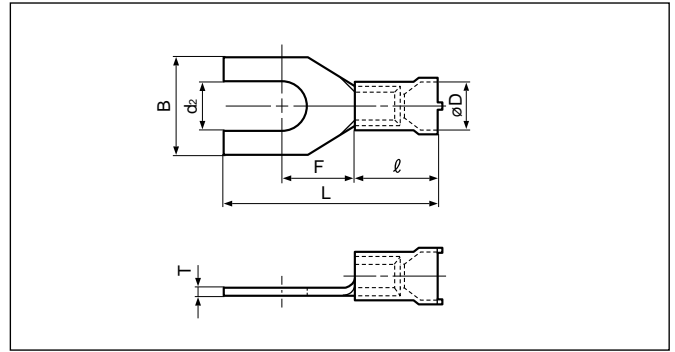
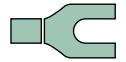
File No.: E42024 LR20812

Applicable Wire AWG#(mm ²)	Stud size		Part No.	Standard	Dimensions mm (in.)						Color	Tool No.	Qty/box	
	American	Metric			d ₂	B	L	F	ℓ	øD				T
22 to 16 (0.25 to 1.65)	3-4	3	FVX1.25-B3A		3.2 (.126)	5.8 (.228)	21.8 (.858)	6.3 (.248)	10.8 (.425)	4.0 (.157)	0.8 (.031)	Red	YNT-2216 YA-1 YA-2 YA-4 BCT-0514	1,000
	5-6	3.5	FVX1.25-N3A		3.7 (.146)	6.2 (.244)	21.8 (.858)	6.3 (.248)						
	5-6	3.5	FVX1.25-YS3A		3.7 (.146)	6.4 (.252)	21.4 (.843)	6.3 (.248)						
	5-6	3.5	FVX1.25-S3A		3.7 (.146)	7.2 (.284)	21.8 (.858)	6.3 (.248)						
	5-6	3.5	FVX1.25-P3A		3.7 (.146)	7.5 (.295)	21.8 (.858)	5.5 (.217)						
	8	4	FVX1.25-YS4A		4.3 (.169)	6.4 (.252)	21.4 (.843)	6.3 (.248)						
	8	4	FVX1.25-S4A		4.3 (.169)	7.2 (.284)	21.8 (.858)	6.3 (.248)						
	8	4	FVX1.25-4A		4.3 (.169)	8.5 (.335)	21.8 (.858)	7.0 (.276)						
	10	5	FVX1.25-S5A		5.3 (.209)	7.2 (.284)	21.8 (.858)	6.3 (.248)						
	10	5	FVX1.25-M5A		5.3 (.209)	8.5 (.335)	21.8 (.858)	7.0 (.276)						
10	5	FVX1.25-5A		5.3 (.209)	9.5 (.374)	21.8 (.858)	7.0 (.276)							
1/4	6	FVX1.25-6A		6.4 (.252)	12.0 (.472)	28.0 (1.102)	11.0 (.433)							
16 to 14 (1.04 to 2.63)	3-4	3	FVX2-N3A		3.2 (.126)	5.9 (.232)	21.8 (.858)	6.3 (.248)	10.8 (.425)	4.6 (.181)	0.8 (.031)	Blue	BCT-0514 YNT-1614 YA-1 YA-2 YA-4 BCT-0514	1,000
	3-4	3	FVX2-M3A		3.2 (.126)	6.0 (.236)	20.5 (.807)	5.0 (.197)						
	5-6	3.5	FVX2-YS3A		3.7 (.146)	6.4 (.252)	21.4 (.843)	6.3 (.248)						
	5-6	3.5	FVX2-S3A		3.7 (.146)	7.2 (.284)	23.0 (.906)	6.5 (.256)						
	5-6	3.5	FVX2-3A		3.7 (.146)	8.5 (.335)	22.8 (.898)	7.3 (.287)						
	8	4	FVX2-YS4A		4.3 (.169)	6.4 (.252)	21.4 (.843)	6.3 (.248)						
	8	4	FVX2-YM4A		4.3 (.169)	6.8 (.268)	21.4 (.843)	6.3 (.248)						
	8	4	FVX2-S4A		4.3 (.169)	7.2 (.284)	23.0 (.906)	6.5 (.256)						
	8	4	FVX2-4A		4.3 (.169)	8.5 (.335)	22.8 (.898)	7.3 (.287)						
	10	5	FVX2-M5A		5.3 (.209)	8.5 (.335)	22.8 (.898)	7.3 (.287)						
	10	5	FVX2-5A		5.3 (.209)	9.5 (.374)	22.8 (.898)	7.3 (.287)						
	1/4	6	FVX2-6A		6.4 (.252)	12.0 (.472)	28.0 (1.102)	11.0 (.433)						
12 to 10 (2.63 to 6.64)	5-6	3.5	FVX5.5-S3A		3.7 (.146)	7.2 (.284)	26.7 (1.051)	7.5 (.295)	14.0 (.551)	6.8 (.268)	1.0 (.039)	Yellow	YNT-1210S YA-4 BCT-0514	500
	5-6	3.5	FVX5.5-3A		3.7 (.146)	9.5 (.374)	26.7 (1.051)	7.5 (.295)						
	8	4	FVX5.5-S4A		4.3 (.169)	8.5 (.335)	26.7 (1.051)	7.5 (.295)						
	8	4	FVX5.5-4A		4.3 (.169)	9.5 (.374)	26.7 (1.051)	7.5 (.295)						
	10	5	FVX5.5-5A		5.3 (.209)	9.5 (.374)	26.7 (1.051)	7.5 (.295)						
	1/4	6	FVX5.5-6A		6.4 (.252)	13.5 (.532)	32.7 (1.287)	12.2 (.480)						
5/16	8	FVX5.5-8A		8.4 (.331)	13.5 (.532)	32.7 (1.287)	12.2 (.480)	250						

Note:1) The part numbers indicated in the above table are for products with a brazed seam.
 When ordering products with a butted seam, add the prefix "WS" to the part number (ex. FVX2-4A → **FVXWS2-4A**).
 2) *The crimping will be more secure if the total cross-sectional area of the wire is at least 0.5 mm².
 Examples: If the cross-sectional area of the wire is 0.3mm², fold the wire in two when crimping the terminal.
 If the cross-sectional area of the wire is 0.5mm², crimp the terminal onto the wire as it is.
 3) Delivery lead times may vary depending on the product. Contact JST for details.



SPADE TONGUE (A type) Vinyl-insulated (funnel-entry)



File No.: E42024 LR20812

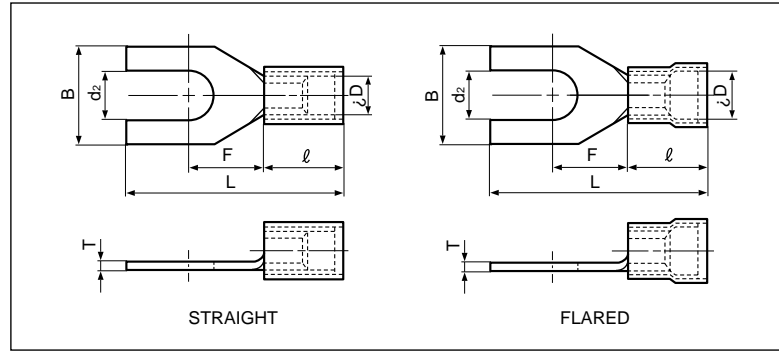
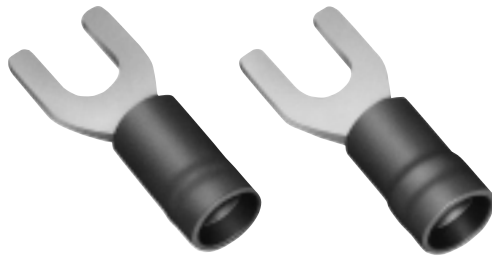
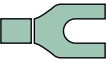
Applicable Wire AWG#(mm ²)	Stud size		Part No.	Standard	Dimensions mm (in.)						Color	Tool No.	Qty/box	
	American	Metric			d ₂	B	L	F	ℓ	øD				T
22 to 16 *(0.25 to 1.65)	1-2	2	FVL1.25-2A		2.2 (.087)	4.6 (.181)	19.2 (.756)	4.3 (.169)	9.4 (.370)	4.2 (.165)	0.8 (.031)	Red	YNT-2216 YA-1 YA-2 YA-4 BCT-0514	1,000
	3-4	3	FVL1.25-B3A		3.2 (.126)	5.8 (.228)	20.4 (.803)	6.3 (.248)						
	5-6	3.5	FVL1.25-N3A		3.7 (.146)	6.2 (.244)	20.4 (.803)	6.3 (.248)						
	5-6	3.5	FVL1.25-YS3A		3.7 (.146)	6.4 (.252)	20.0 (.787)	6.3 (.248)						
	5-6	3.5	FVL1.25-S3A		3.7 (.146)	7.2 (.284)	20.4 (.803)	6.3 (.248)						
	5-6	3.5	FVL1.25-P3A		3.7 (.146)	7.5 (.295)	18.4 (.724)	5.5 (.217)						
	8	4	FVL1.25-YS4A		4.3 (.169)	6.4 (.252)	20.0 (.787)	6.3 (.248)						
	8	4	FVL1.25-S4A		4.3 (.169)	7.2 (.284)	20.4 (.803)	6.3 (.248)						
	8	4	FVL1.25-4A		4.3 (.169)	8.5 (.335)	20.4 (.803)	7.0 (.276)						
	10	5	FVL1.25-M5A		5.3 (.209)	8.5 (.335)	20.4 (.803)	7.0 (.276)						
	10	5	FVL1.25-5A		5.3 (.209)	9.5 (.374)	20.4 (.803)	7.0 (.276)						
	10	5	FVL1.25-S5A		5.3 (.209)	7.2 (.284)	20.4 (.803)	6.3 (.248)						
1/4	6	FVL1.25-6A		6.4 (.252)	12.0 (.472)	26.6 (1.047)	11.0 (.433)							
16 to 14 (1.04 to 2.63)	3-4	3	FVL2-N3A		3.2 (.126)	5.9 (.232)	20.4 (.803)	6.3 (.248)	9.4 (.370)	4.7 (.185)	0.8 (.031)	Blue	YNT-1614 YA-1 YA-2 YA-4 BCT-0514	1,000
	3-4	3	FVL2-M3A		3.2 (.126)	6.0 (.236)	19.1 (.752)	5.0 (.197)						
	5-6	3.5	FVL2-YS3A		3.7 (.146)	6.4 (.252)	20.0 (.787)	6.3 (.248)						
	5-6	3.5	FVL2-S3A		3.7 (.146)	7.2 (.284)	20.6 (.811)	6.5 (.256)						
	5-6	3.5	FVL2-3A		3.7 (.146)	8.5 (.335)	21.4 (.843)	7.3 (.287)						
	8	4	FVL2-YS4A		4.3 (.169)	6.4 (.252)	20.0 (.787)	6.3 (.248)						
	8	4	FVL2-YM4A		4.3 (.169)	6.8 (.268)	20.0 (.787)	6.3 (.248)						
	8	4	FVL2-S4A		4.3 (.169)	7.2 (.284)	20.6 (.811)	6.5 (.256)						
	8	4	FVL2-4A		4.3 (.169)	8.5 (.335)	21.4 (.843)	7.3 (.287)						
	10	5	FVL2-M5A		5.3 (.209)	8.5 (.335)	21.4 (.843)	7.3 (.287)						
	10	5	FVL2-5A		5.3 (.209)	9.5 (.374)	21.4 (.843)	7.3 (.287)						
	1/4	6	FVL2-6A		6.4 (.252)	12.0 (.472)	26.6 (1.047)	11.0 (.433)						
12 to 10 (2.63 to 6.64)	5-6	3.5	FVL5.5-S3A		3.7 (.146)	7.2 (.284)	26.5 (1.043)	7.5 (.295)	13.8 (.543)	7.0 (.276)	1.0 (.039)	Yellow	YNT-1210S YA-4 BCT-0514	500
	5-6	3.5	FVL5.5-3A		3.7 (.146)	9.5 (.374)	26.5 (1.043)	7.5 (.295)						
	8	4	FVL5.5-S4A		4.3 (.169)	8.5 (.335)	26.5 (1.043)	7.5 (.295)						
	8	4	FVL5.5-4A		4.3 (.169)	9.5 (.374)	26.5 (1.043)	7.5 (.295)						
	10	5	FVL5.5-5A		5.3 (.209)	9.5 (.374)	26.5 (1.043)	7.5 (.295)						
	1/4	6	FVL5.5-6A		6.4 (.252)	13.5 (.532)	32.5 (1.280)	12.2 (.480)						
5/16	8	FVL5.5-8A		8.4 (.331)	13.5 (.532)	32.5 (1.280)	12.2 (.480)							

- Note: 1) The part numbers indicated in the above table are for products with a brazed seam.
 When ordering products with a butted seam, add the prefix "WS" to the part number (ex. FVL2-4A → **FVLWS2-4A**).
 2) *The crimping will be more secure if the total cross-sectional area of the wire is at least 0.5 mm².
 Examples: If the cross-sectional area of the wire is 0.3mm², fold the wire in two when crimping the terminal.
 If the cross-sectional area of the wire is 0.5mm², crimp the terminal onto the wire as it is.
 3) Delivery lead times may vary depending on the product. Contact JST for details.

Solderless terminals



SPADE TONGUE (A type) Vinyl-insulated with copper sleeve



File No.: E42024 LR20812

Applicable Wire AWG#(mm ²)	Stud size		Part No.		Standard	Dimensions mm (in.)										Color	Tool No.	Qty/box
	American	Metric	Straight	Flared		d ₂	B	L	F	ℓ	ø D		T					
26 to 22 (0.2 to 0.5)	3-4	3	VD0.5-3A	-		3.2 (.126)	5.0 (.197)	16.5 (.650)	6.0 (.236)	8.0	2.2 (.087)	2.5 (.098)	0.5 (.020)	Yellow	YNT-2622 YA-1, YA-2 BCT-0514	1,000		
	5-6	3.5	VD0.5-3.7A	-		3.7 (.146)	6.4 (.252)	19.0 (.748)	7.7 (.303)	(.315)								
	3-4	3	-	FVD0.5-3A		3.2 (.126)	5.0 (.197)	16.8 (.661)	6.0 (.236)	8.3								
	5-6	3.5	-	FVD0.5-3.7A		3.7 (.146)	6.4 (.252)	19.3 (.760)	7.7 (.303)	(.327)								
22 to 16 (0.25 to 1.65)	1-2	2	VD1.25-2A	FVD1.25-2A		2.2 (.087)	4.6 (.181)	19.4 (.764)	4.3 (.169)	9.6 (.378)	3.5 (.138)	4.0 (.157)	0.8 (.031)	Red	YNT-2216 YA-1 YA-2 YA-4 BCT-0514	1,000		
	3-4	3	VD1.25-B3A	FVD1.25-B3A		3.2 (.126)	5.8 (.228)	20.6 (.811)	6.3 (.248)									
	5-6	3.5	VD1.25-N3A	FVD1.25-N3A		3.7 (.146)	6.2 (.244)	20.6 (.811)	6.3 (.248)									
	5-6	3.5	VD1.25-YS3A	FVD1.25-YS3A		3.7 (.146)	6.4 (.252)	20.2 (.795)	6.3 (.248)									
	5-6	3.5	VD1.25-S3A	FVD1.25-S3A		3.7 (.146)	7.2 (.284)	20.6 (.811)	6.3 (.248)									
	5-6	3.5	VD1.25-P3A	FVD1.25-P3A		3.7 (.146)	7.5 (.295)	18.6 (.732)	5.5 (.217)									
	8	4	VD1.25-YS4A	FVD1.25-YS4A		4.3 (.169)	6.4 (.252)	20.2 (.795)	6.3 (.248)									
	8	4	VD1.25-S4A	FVD1.25-S4A		4.3 (.169)	7.2 (.284)	20.6 (.811)	6.3 (.248)									
	8	4	VD1.25-4A	FVD1.25-4A		4.3 (.169)	8.5 (.335)	20.6 (.811)	7.0 (.276)									
	10	5	VD1.25-S5A	FVD1.25-S5A		5.3 (.209)	7.2 (.284)	20.6 (.811)	6.3 (.248)									
	10	5	VD1.25-M5A	FVD1.25-M5A		5.3 (.209)	8.5 (.335)	20.6 (.811)	7.0 (.276)									
	10	5	VD1.25-5A	FVD1.25-5A		5.3 (.209)	9.5 (.374)	20.6 (.811)	7.0 (.276)									
1/4	6	VD1.25-6A	FVD1.25-6A		6.4 (.252)	12.0 (.472)	26.8 (1.055)	11.0 (.433)										
16 to 14 (1.04 to 2.63)	3-4	3	VD2-N3A	FVD2-N3A		3.2 (.126)	5.9 (.232)	20.6 (.811)	6.3 (.248)	9.6 (.378)	4.1 (.161)	4.7 (.185)	0.8 (.031)	Blue	YNT-1614 YA-1 YA-2 YA-4 BCT-0514	1,000		
	3-4	3	VD2-M3A	FVD2-M3A		3.2 (.126)	6.0 (.236)	19.3 (.760)	5.0 (.197)									
	5-6	3.5	VD2-YS3A	FVD2-YS3A		3.7 (.146)	6.4 (.252)	20.2 (.795)	6.3 (.248)									
	5-6	3.5	VD2-S3A	FVD2-S3A		3.7 (.146)	7.2 (.284)	20.8 (.819)	6.5 (.256)									
	5-6	3.5	VD2-3A	FVD2-3A		3.7 (.146)	8.5 (.335)	21.6 (.850)	7.3 (.287)									
	8	4	VD2-YS4A	FVD2-YS4A		4.3 (.169)	6.4 (.252)	20.2 (.795)	6.3 (.248)									
	8	4	VD2-YM4A	FVD2-YM4A		4.3 (.169)	6.8 (.268)	20.2 (.795)	6.3 (.248)									
	8	4	VD2-S4A	FVD2-S4A		4.3 (.169)	7.2 (.284)	20.8 (.819)	6.5 (.256)									
	8	4	VD2-4A	FVD2-4A		4.3 (.169)	8.5 (.335)	21.6 (.850)	7.3 (.287)									
	10	5	VD2-M5A	FVD2-M5A		5.3 (.209)	8.5 (.335)	21.6 (.850)	7.3 (.287)									
	10	5	VD2-5A	FVD2-5A		5.3 (.209)	9.5 (.374)	21.6 (.850)	7.3 (.287)									
	1/4	6	VD2-6A	FVD2-6A		6.4 (.252)	12.0 (.472)	26.8 (1.055)	11.0 (.433)									
12 to 10 (2.63 to 6.64)	5-6	3.5	VD5.5-S3A	FVD5.5-S3A		3.7 (.146)	7.2 (.283)	26.7 (1.051)	7.5 (.295)	14.0 (.551)	5.7 (.224)	6.5 (.256)	1.0 (.039)	Yellow	YNT-1210S YA-4 BCT-0514	500		
	5-6	3.5	VD5.5-3A	FVD5.5-3A		3.7 (.146)	9.5 (.374)	26.7 (1.051)	7.5 (.295)									
	8	4	VD5.5-S4A	FVD5.5-S4A		4.3 (.169)	8.5 (.335)	26.7 (1.051)	7.5 (.295)									
	8	4	VD5.5-4A	FVD5.5-4A		4.3 (.169)	9.5 (.374)	26.7 (1.051)	7.5 (.295)									
	10	5	VD5.5-5A	FVD5.5-5A		5.3 (.209)	9.5 (.374)	26.7 (1.051)	7.5 (.295)									
	1/4	6	VD5.5-6A	FVD5.5-6A		6.4 (.252)	13.5 (.532)	32.7 (1.287)	12.2 (.480)									
5/16	8	VD5.5-8A	FVD5.5-8A		8.4 (.331)	13.5 (.532)	32.7 (1.287)	12.2 (.480)										

Note: 1) The part numbers indicated in the above table are for products with a brazed seam.
 When ordering products with a butted seam, add the prefix "WS" to the part number (ex. VD2-4A → **VDWS2-4A**).
 2) To order products with nylon insulation, change the "V" in the part number prefix to "N" (ex. VD2-4A → **ND2-4A**).
 Because nylon absorbs moisture, care must be taken concerning storage.
 3) Delivery lead times may vary depending on the product. Contact JST for details.

MCTEW 163126 Series

Cable & Wire

PRO-POWER
Quality Cables



Features:

- 16AWG (26/0.254mm) Tinned Copper.
- Heat Resisting PVC Insulated.

Specifications:

Conductors:

16AWG (26/0.254mm) Tinned Annealed Copper Bunch.
Minimum Cross-Sectional Area : 1.32mm².

Insulation:

PVC Compound Meeting the Requirement of Class 43 PVC and Class 28.

Minimum Thickness at any One Point : 0.69mm.

Minimum Average Thickness : 0.76mm.

Nominal Overall Diameter : 3.12mm.

Lay Up : Not Applicable.

Screen : Not Applicable.

Sheath : Not Applicable.

Part Number Table

Description	Part Number
Wire, 26/30 Black 100M	MCTEW 163126 BLK
Wire, 26/30 Blue 100M	MCTEW 163126 BLU
Wire, 26/30 Brown 100M	MCTEW 163126 BRN
Wire, 26/30 Red 100M	MCTEW 163126 RED
Wire, 26/30 Black 152.5M	MCTEW 163126 BLK
Wire, 26/30 Red 152.5M	MCTEW 163126 RED
Wire, 26/30 White 152.5M	MCTEW 163126 WHT

PRO-POWER
Quality Cables

MCTEW 163126 Series

Cable & Wire

PRO-POWER
Quality Cables

Notes:

International Sales Offices:



AUSTRALIA – Farnell InOne
Tel No: ++ 61 2 9645 8888
Fax No: ++ 61 2 9644 7898



FINLAND – Farnell InOne
Tel No: ++ 358 9 560 7780
Fax No: ++ 358 9 345 5411



NETHERLANDS – Farnell InOne
Tel No: ++ 31 30 241 7373
Fax No: ++ 31 30 241 7333



SWITZERLAND – Farnell InOne
Tel No: ++ 41 1 204 64 64
Fax No: ++ 41 1 204 64 54



AUSTRIA – Farnell InOne
Tel No: ++ 43 662 2180 680
Fax No: ++ 43 662 2180 670



FRANCE – Farnell InOne
Tel No: ++ 33 474 68 99 99
Fax No: ++ 33 474 68 99 90



NEW ZEALAND – Farnell InOne
Tel No: ++ 64 9 357 0646
Fax No: ++ 64 9 357 0656



UK – Farnell InOne
Tel No: ++ 44 8701 200 200
Fax No: ++ 44 8701 200 201



BELGIUM – Farnell InOne
Tel No: ++ 32 3 475 2810
Fax No: ++ 32 3 227 3648



GERMANY – Farnell InOne
Tel No: ++ 49 89 61 39 39 39
Fax No: ++ 49 89 613 59 01



NORWAY – Farnell InOne
Tel No: ++ 45 44 53 66 66
Fax No: ++ 45 44 53 66 02



UK – BuckHickman InOne
++ 44 8450 510 150
++ 44 8450 510 130



BRAZIL – Farnell-Newark InOne
Tel No: ++ 55 11 4066 9400
Fax No: ++ 55 11 4066 9410



HONG KONG – Farnell-Newark InOne
Tel No: ++ 852 2268 9888
Fax No: ++ 852 2268 9899



PORTUGAL – Farnell InOne
Tel No: ++ 34 93 475 8804
Fax No: ++ 34 93 474 5288



UK – CPC
++ 44 8701 202 530
++ 44 8701 202 531



CHINA – Farnell-Newark InOne
Tel No: ++86 10 6238 5152
Fax No: ++86 10 6238 5022



IRELAND – Farnell InOne
Tel No: ++ 353 1 830 9277
Fax No: ++ 353 1 830 9016



SINGAPORE – Farnell-Newark InOne
Tel No: ++ 65 6788 0200
Fax No: ++ 65 6788 0300



export Tel No: ++ 44 8701 200 208
Fax No: ++ 44 8701 200 209

For enquiries from all other markets



DENMARK – Farnell InOne
Tel No: ++ 45 44 53 66 44
Fax No: ++ 45 44 53 66 06



ITALY – Farnell InOne
Tel No: ++ 39 02 93 995 200
Fax No: ++ 39 02 93 995 300



SPAIN – Farnell InOne
Tel No: ++ 34 93 475 8805
Fax No: ++ 34 93 474 5107



ESTONIA – Farnell InOne
Tel No: ++ 358 9 560 7780
Fax No: ++ 358 9 345 5411



MALAYSIA – Farnell-Newark InOne
Tel No: ++ 60 3 7873 8000
Fax No: ++ 60 3 7873 7000



SWEDEN – Farnell InOne
Tel No: ++ 46 8 730 50 00
Fax No: ++ 46 8 83 52 62

<http://www.farnellinone.com>

<http://www.buckhickmaninone.com>

<http://www.cpc.co.uk>

Disclaimer This data sheet and its contents (the "Information") belong to the Premier Farnell Group (the "Group") or are licensed to it. No licence is granted for the use of it other than for information purposes in connection with the products to which it relates. No licence of any intellectual property rights is granted. The Information is subject to change without notice and replaces all data sheets previously supplied. The Information supplied is believed to be accurate but the Group assumes no responsibility for its accuracy or completeness, any error in or omission from it or for any use made of it. Users of this data sheet should check for themselves the Information and the suitability of the products for their purpose and not make any assumptions based on information included or omitted. Liability for loss or damage resulting from any reliance on the Information or use of it (including liability resulting from negligence or where the Group was aware of the possibility of such loss or damage arising) is excluded. This will not operate to limit or restrict the Group's liability for death or personal injury resulting from its negligence. Pro-Power is the registered trademark of the Group. © Premier Farnell plc 2004.

PRO-POWER
Quality Cables