

CABLE DRAWING: **CAB-0XXX (SALEM CODE)**

DRAWING TITLE:
PSU Mains Power Cable

DRAWING NO.: MWACAB-0008	DRAWN BY: DRC	DATE: 7-Dec-09	REV: A
		SHEET: 1 of 2	

Cable Detail:

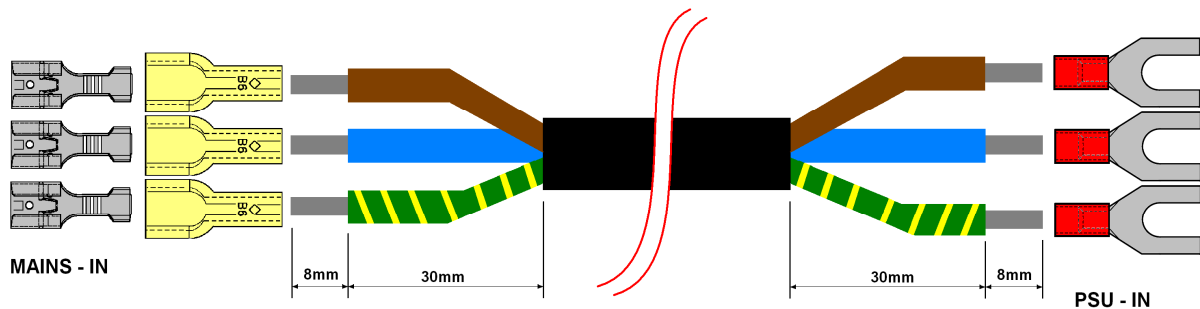
Connectors:	Description	Parts (Qty)
Mains-IN	SPADEF-6.35 Spade F/6.35 x 0.8	See Note1 Below(3)
PSU-IN	JST - FVWS1.25-YS4A (LF) - Crimp Terminal, Fork, 4mm, Red	See Note2 Below(3)
Conductors:		
Cable	3-Core Mains CABLE, 24/0.2mm, Colour (BL,BRN,GRN/YEL) , 6 Amp	See Note3 Below(??)
Misc:		
Cover	Spade Cover STOCKO F/EH-0017 EH 629 PVC	See Note4 Below(3)

Overall Length ??+/-5mm

Notes:

1. The Spade Terminal can be supplied from Farnell #117-4957 or PSI stock (CON-0191). Any equivalent will be OK refer to data sheets supplied with this drawing.
2. The JST Fork Terminal can be supplied from Farnell #999-3037. Any equivalent will be OK refer to data sheets supplied with this drawing.
3. The cable can be supplied from Farnell #117-9221 or PSI stock (CAB-0222) Any equivalent will be OK refer to data sheets supplied with this drawing
4. The Covers can be supplied from Farnell #114-1848. Any equivalent will be OK refer to data sheets supplied with this drawing

Typical Drawing:



REVISION

Date	Rev	Remarks
08/12/09	A	Draft

CABLE DRAWING:

CAB-0XXX (SALEM CODE)

DRAWING TITLE:

PSU Mains Power Cable

DRAWING NO.: MWACAB-0008	DRAWN BY: DRC	DATE: 7-Dec-09	REV: A
		SHEET: 2 of 2	

Assembly Details:

UL approvals and correct crimping only ensured on products crimped with STOCKO applicators.

	Correct	Incorrect	Incorrect
Conductor crimp		 Crimp height too high Volume too small	 Over-crimped! Volume too small Worn punch
Insulation crimp		 Volume too small	 Crimp height too low Volume too small
		 Volume too large	 Volume too small
		 Volume too large	 Crimp height too high Volume too small
Length adjustment		 Cable inserted too deep Insulation in wire crimping bucket	 Cable inserted not deep enough Insulation invisible

Connection Detail:

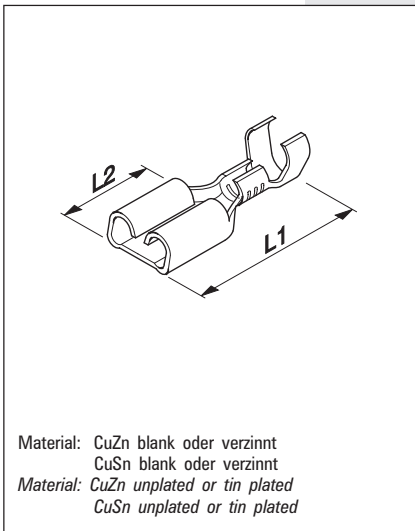
From: (Mains-IN)
To: (PSU-IN)

Attached to the mains input filter terminals
Attached to the PSU unit.

REVISION

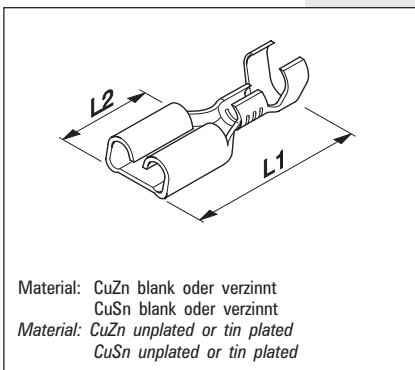
Date	Rev	Remarks
08/12/09	A	Draft

Lötfreie Flachsteckhülsen ohne Isolation Solderless receptacles, non insulated



Artikel-Nummer <i>Part number</i>	ähnlich <i>similar to</i> DIN 46247	Leiter- querschnitt <i>Wire size</i> mm ² AWG	Steck- dicke <i>Tab</i> thickness mm	Abmessungen mm <i>Dimensions mm</i>		Verp.-Einh. Stück <i>Standard</i> packing <i>Piece</i>
				L 1	L 2	
RS 7785.003 F 2,8-1	●	0,5-1 20-18	0,8	13,8	6,3	2000
RS 7785.002 F 2,8-1	●	0,5-1 20-18	0,5	13,8	6,3	2000
RS 7603 F 4,8-1	●	0,5-1 20-18	0,8	16	6,0	1000
RS 7603.001 F 4,8-1		0,5-1 20-18	0,5	16	6,0	1000
RS 7604 F 4,8-2,5	●	1-2,5 16-14	0,8	16	6,0	1000
RS 7604.001 F 4,8-2,5		1-2,5 16-14	0,5	16	6,0	1000
RS 7900 F 6,3-1	●	0,5-1 20-18	0,8	19	7,4	1000
RS 7901 F 6,3-2,5	●	1-2,5 16-14	0,8	19	7,4	1000
RS 8152 F 6,3-6	●	>2,5-6 12-10	0,8	19	7,4	1000
RS 7960.020 F 6,3-1 verriegelbar / <i>self-locking</i>	●	0,5-1 20-18	0,8	19,3	7,7	1000
RS 7961.020 F 6,3-2,5 verriegelbar / <i>self-locking</i>	●	>1-2,5 16-14	0,8	19,3	7,7	1000

Lötfreie Flachsteckhülsen ohne Isolation Solderless receptacles, non insulated

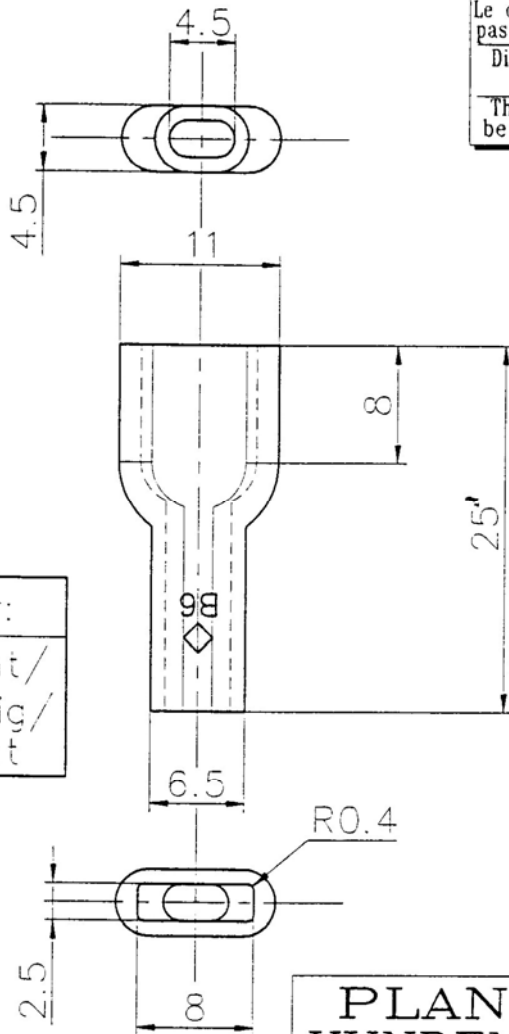


Artikel-Nummer <i>Part number</i>	ähnlich <i>similar to</i> DIN 46330	Leiter- querschnitt <i>Wire size</i> mm ² AWG	Steck- dicke <i>Tab</i> thickness mm	Abmessungen mm <i>Dimensions mm</i>		Verp.-Einh. Stück <i>Standard</i> packing <i>Piece</i>
				L 1	L 2	
RS 7605 F 2,8-0,25		0,1-0,25 26-22	0,8	12,5	5,0	2000
RS 7605.001 F 2,8-0,25		0,1-0,25 26-22	0,5	12,5	5,0	2000
RS 7607 F 2,8-0,5		0,25-0,5 22	0,8	12,5	5,0	2000
RS 7607.001 F 2,8-0,5		0,25-0,5 22	0,5	12,5	5,0	2000
RS 7606 F 2,8-1	●	0,5-1 20-18	0,8	12,5	5,0	2000
RS 7606.001 F 2,8-1		0,5-1 20-18	0,5	12,5	5,0	2000

Ce dessin ne peut être reproduit ni communiqué à des tiers sans notre accord, et reste notre propriété. Tout contrevenant s'expose à des poursuites.
 Diese Zeichnung darf ohne unsere Genehmigung weder vervielfältigt, noch dritten Personen zugänglich gemacht werden und bleibt unser Eigentum. Zuwiderhandlung ist strafbar.
 Toute erreur est à signaler de suite au B.E.
 Zeichnungsunstimmigkeiten sind sofort der EW zu melden.

Ce document est la propriété de STOCKO CONTACT S.A. et ne peut être reproduit ou communiqué sans son accord écrit.
 Für diese Unterlagen behalten wir uns alle Rechte vor.
 All rights reserved in respect of this document.

Le détenteur de cette copie ne sera pas informé en cas de modification
 Diese Kopie wird bei Änderungen nicht berücksichtigt
 The bearer of this copy will not be notified in case of changes



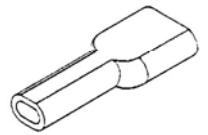
Couleur/Farbe/Color:
 Noir/Schwarz/Black | Transparent/Durchsichtig/Transparent

**PLAN CLIENT
 KUNDENZEICHNUNG
 CUSTOMER DRAWING**

Matière: / Material: | Plage de température d'utilisation: / Betriebstemperaturbereich: / Operating temperature range:

PVC
 Souple / Weich / Supple

-25/+75°C



SFA

Destinataires	
Verteilung	
Service	Nbre
Abteilung	Anz.
SBM	1
SLK	1
HEL	1
SCE	1
LA	1
SQ	1
CR	1
PM	1
SA	1

				Untol. Maße Cotes non tolérancées	zul. Abw. Tol. autoris. ±	Norm : Norme : -----
				> 0 bis/à 6	0.15	Maßstab: Echelle : 2:1
				> 6 bis/à 30	0.3	
				> 30 bis/à 100	0.45	
				2000	Datum Date	Name Nom
				Bearb. Exécut.	22.02	FLECKSTEIN
1	MISE A JOUR DIFFUSION + COTES	19.12 2000	R.F.	Gep. Vérif.	---	Ersatz für : Remplace : -----
Nr. N°	Änderung Modification	Datum Date	Name Nom	Gep. Vérif.	Gen. Approu.	Ersetzt durch : Rempl. par : -----

Artikelbezeichnung / Désignation article
EH 629

Zeichnung
 Dessin
 629EHC

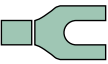


Referenz-Nr. N° référence	Artikel-Nr. / N° article
	1 2 3 4 5 6 7 8 9 10 11 12 13 14 15 16 17

Solderless terminals

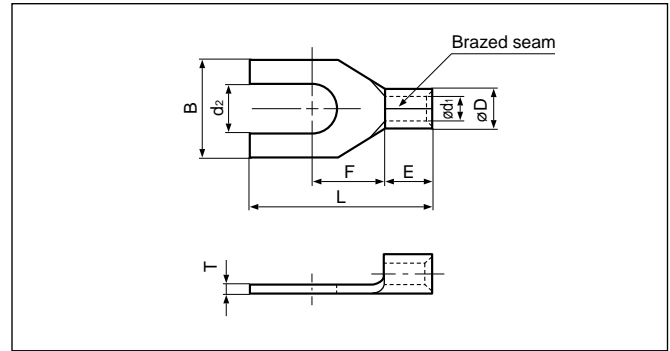


SPADE TONGUE (A type) Non-insulated



Actual

Refer to page 145 for actual size of the terminal.
(except for 1.25-2A)



File No.: E42024 LR20812

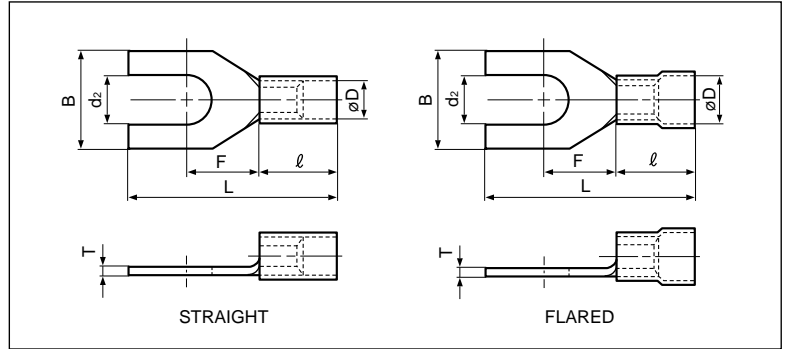
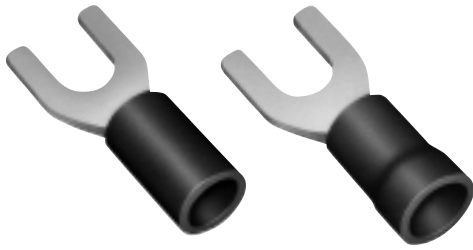
Applicable Wire AWG#(mm ²)	Stud size		Part No.	Standard	Dimensions mm (in.)								Tool No.	Qty/box
	American	Metric			d ₂	B	L	F	E	ø D	ø d ₁	T		
26 to 22 (0.2 to 0.5)	1-2	2	0.5-2A		2.2 (.087)	4.6 (.181)	12.8 (.504)	4.5 (.177)	4.0 (.157)	2.0 (.079)	1.0 (.039)	0.5 (.020)	YHT-2622 YA-1 YA-2 BCT-0514	1,000
	3-4	3	0.5-3A		3.2 (.126)	5.0 (.197)	12.5 (.492)	6.0 (.236)						
	5-6	3.5	0.5-3.7A		3.7 (.146)	6.4 (.252)	15.0 (.591)	7.7 (.303)						
	8	4	0.5-4A		4.3 (.169)	7.0 (.276)	16.2 (.638)	6.3 (.248)						
22 to 16 (0.25 to 1.65)	1-2	2	1.25-2A		2.2 (.087)	4.6 (.181)	14.6 (.575)	4.3 (.169)	4.8 (.189)	3.4 (.134)	1.7 (.067)	0.8 (.031)	YHT-2210 YA-1 YA-2 YA-4 BCT-0514	1,000
	3-4	3	1.25-C3A		3.2 (.126)	5.6 (.221)	15.8 (.622)	6.3 (.248)						
	3-4	3	1.25-B3A		3.2 (.126)	5.8 (.228)	15.8 (.622)	6.3 (.248)						
	3-4	3	1.25-M3A		3.2 (.126)	6.35 (.250)	16.0 (.630)	8.0 (.315)						
	5-6	3.5	1.25-C3.5A		3.7 (.146)	5.6 (.221)	15.8 (.622)	6.3 (.248)						
	5-6	3.5	1.25-B3.5A		3.7 (.146)	5.8 (.228)	15.8 (.622)	6.3 (.248)						
	5-6	3.5	1.25-N3A		3.7 (.146)	6.2 (.244)	15.8 (.622)	6.3 (.248)						
	5-6	3.5	1.25-YS3A		3.7 (.146)	6.4 (.252)	15.4 (.606)	6.3 (.248)						
	5-6	3.5	1.25-S3A		3.7 (.146)	7.2 (.283)	15.8 (.622)	6.3 (.248)						
	5-6	3.5	1.25-P3A		3.7 (.146)	7.5 (.295)	13.8 (.543)	5.5 (.217)						
	8	4	1.25-YS4A		4.3 (.169)	6.4 (.252)	15.4 (.606)	6.3 (.248)						
	8	4	1.25-S4A		4.3 (.169)	7.2 (.283)	15.8 (.622)	6.3 (.248)						
	8	4	1.25-4A		4.3 (.169)	8.5 (.335)	15.8 (.622)	7.0 (.276)						
	10	5	1.25-S5A		5.3 (.209)	7.2 (.283)	15.8 (.622)	6.3 (.248)						
10	5	1.25-M5A		5.3 (.209)	8.5 (.335)	15.8 (.622)	7.0 (.276)							
10	5	1.25-5A		5.3 (.209)	9.5 (.374)	15.8 (.622)	7.0 (.276)							
1/4	6	1.25-6A		6.4 (.252)	12.0 (.472)	22.0 (.866)	11.0 (.433)							
16 to 14 (1.04 to 2.63)	3-4	3	2-N3A		3.2 (.126)	5.9 (.232)	15.8 (.622)	6.3 (.248)	4.8 (.189)	4.1 (.161)	2.3 (.091)	0.8 (.031)	YHT-2210 YA-1 YA-2 YA-4 BCT-0514	1,000
	3-4	3	2-M3A		3.2 (.126)	6.0 (.236)	14.5 (.571)	5.0 (.197)						
	5-6	3.5	2-C3.5A		3.7 (.146)	5.6 (.220)	15.8 (.622)	6.3 (.248)						
	5-6	3.5	2-YS3A		3.7 (.146)	6.4 (.252)	15.4 (.606)	6.3 (.248)						
	5-6	3.5	2-S3A		3.7 (.146)	7.2 (.283)	16.0 (.630)	6.5 (.256)						
	5-6	3.5	2-3A		3.7 (.146)	8.5 (.335)	16.8 (.661)	7.3 (.287)						
	8	4	2-YS4A		4.3 (.169)	6.4 (.252)	15.4 (.606)	6.3 (.248)						
	8	4	2-YM4A		4.3 (.169)	6.8 (.268)	15.4 (.606)	6.3 (.248)						
	8	4	2-S4A		4.3 (.169)	7.2 (.283)	16.0 (.630)	6.5 (.256)						
	8	4	2-4A		4.3 (.169)	8.5 (.335)	16.8 (.661)	7.3 (.287)						
	10	5	2-M5A		5.3 (.209)	8.5 (.335)	16.8 (.661)	7.3 (.287)						
	10	5	2-5A		5.3 (.209)	9.5 (.374)	16.8 (.661)	7.3 (.287)						
1/4	6	2-6A		6.4 (.252)	12.0 (.472)	22.0 (.866)	11.0 (.433)							
12 to 10 (2.63 to 6.64)	5-6	3.5	5.5-S3A		3.7 (.146)	7.2 (.283)	19.5 (.768)	7.5 (.295)	6.8 (.268)	5.6 (.220)	3.4 (.134)	1.0 (.039)	YHT-2210 YA-1 YA-2 YA-4 BCT-0514	1,000
	5-6	3.5	5.5-3A		3.7 (.146)	9.5 (.374)	19.5 (.768)	7.5 (.295)						
	8	4	5.5-S4A		4.3 (.169)	8.5 (.335)	19.5 (.768)	7.5 (.295)						
	8	4	5.5-4A		4.3 (.169)	9.5 (.374)	19.5 (.768)	7.5 (.295)						
	10	5	5.5-5A		5.3 (.209)	9.5 (.374)	19.5 (.768)	7.5 (.295)						
	1/4	6	5.5-6A		6.4 (.252)	13.5 (.532)	25.5 (1.004)	12.2 (.480)						
5/16	8	5.5-8A		8.4 (.331)	13.5 (.532)	25.5 (1.004)	12.2 (.480)	500						

Note:1) The part numbers indicated in the above table are for products with a brazed seam.

When ordering products with a butted seam, add the prefix "WS" to the part number (ex. 2-4A → **WS2-4A**).

2) Delivery lead times may vary depending on the product. Contact JST for details.

SPADE TONGUE (A type) Vinyl-insulated



File No.: E42024 LR20812

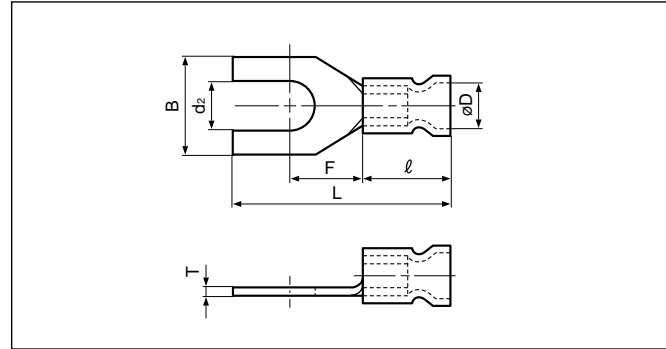
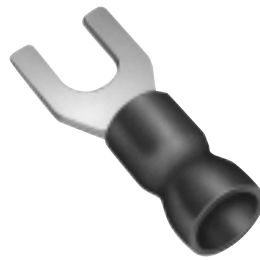
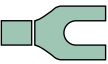
Applicable Wire AWG#(mm ²)	Stud size		Part No.		Standard	Dimensions mm (in.)							Color	Tool No.	Qty/box	
	American	Metric	Straight	Flared		d ₂	B	L	F	ℓ	ø D					T
													Str.	Fld.		
26 to 22 (0.2 to 0.5)	3-4	3	V0.5-3A	FV0.5-3A		3.2 (.126)	5.0 (.197)	16.5 (.650)	6.0 (.236)	8.0 (.315)	1.9 (.075)	2.9 (.114)	0.5 (.020)	Yellow	YNT-2622 YA-1, YA-2 BCT-0514	1,000
	5-6	3.5	V0.5-3.7A	FV0.5-3.7A		3.7 (.146)	6.4 (.252)	19.0 (.748)	7.7 (.303)							
22 to 16 (0.25 to 1.65)	1-2	2	V1.25-2A	FV1.25-2A		2.2 (.087)	4.6 (.181)	18.8 (.740)	4.3 (.169)	9.0 (.354)	3.2 (.126)	4.0 (.157)	0.8 (.031)	Red	YNT-2216 YA-1 YA-2 YA-4 BCT-0514	1,000
	3-4	3	V1.25-B3A	FV1.25-B3A		3.2 (.126)	5.8 (.228)	20.0 (.787)	6.3 (.248)							
	5-6	3.5	V1.25-C3.5A	-		3.7 (.146)	5.6 (.220)	20.0 (.787)	6.3 (.248)							
	5-6	3.5	V1.25-N3A	FV1.25-N3A		3.7 (.146)	6.2 (.244)	20.0 (.787)	6.3 (.248)							
	5-6	3.5	V1.25-YS3A	FV1.25-YS3A		3.7 (.146)	6.4 (.252)	19.6 (.772)	6.3 (.248)							
	5-6	3.5	V1.25-S3A	FV1.25-S3A		3.7 (.146)	7.2 (.284)	20.0 (.787)	6.3 (.248)							
	5-6	3.5	V1.25-P3A	FV1.25-P3A		3.7 (.146)	7.5 (.295)	18.0 (.709)	5.5 (.217)							
	8	4	V1.25-YS4A	FV1.25-YS4A		4.3 (.169)	6.4 (.252)	19.6 (.772)	6.3 (.248)							
	8	4	V1.25-S4A	FV1.25-S4A		4.3 (.169)	7.2 (.284)	20.0 (.787)	6.3 (.248)							
	8	4	V1.25-4A	FV1.25-4A		4.3 (.169)	8.5 (.335)	20.0 (.787)	7.0 (.276)							
	10	5	V1.25-S5A	FV1.25-S5A		5.3 (.209)	7.2 (.284)	20.0 (.787)	6.3 (.248)							
	10	5	V1.25-M5A	FV1.25-M5A		5.3 (.209)	8.5 (.335)	20.0 (.787)	7.0 (.276)							
10	5	V1.25-5A	FV1.25-5A		5.3 (.209)	9.5 (.374)	20.0 (.787)	7.0 (.276)								
1/4	6	V1.25-6A	FV1.25-6A		6.4 (.252)	12.0 (.472)	26.2 (1.032)	11.0 (.433)								
16 to 14 (1.04 to 2.63)	3-4	3	V2-N3A	FV2-N3A		3.2 (.126)	5.9 (.232)	20.0 (.787)	6.3 (.248)	9.0 (.354)	3.9 (.154)	4.5 (.177)	0.8 (.031)	Blue	YNT-1614 YA-1 YA-2 YA-4 BCT-0514	1,000
	3-4	3	V2-M3A	FV2-M3A		3.2 (.126)	6.0 (.236)	18.7 (.736)	5.0 (.197)							
	5-6	3.5	V2-YS3A	FV2-YS3A		3.7 (.146)	6.4 (.252)	19.6 (.772)	6.3 (.248)							
	5-6	3.5	V2-S3A	FV2-S3A		3.7 (.146)	7.2 (.284)	20.2 (.795)	6.5 (.256)							
	5-6	3.5	V2-3A	FV2-3A		3.7 (.146)	8.5 (.335)	21.0 (.827)	7.3 (.287)							
	8	4	V2-YS4A	FV2-YS4A		4.3 (.169)	6.4 (.252)	19.6 (.772)	6.3 (.248)							
	8	4	V2-YM4A	FV2-YM4A		4.3 (.169)	6.8 (.268)	19.6 (.772)	6.3 (.248)							
	8	4	V2-S4A	FV2-S4A		4.3 (.169)	7.2 (.284)	20.2 (.795)	6.5 (.256)							
	8	4	V2-4A	FV2-4A		4.3 (.169)	8.5 (.335)	21.0 (.827)	7.3 (.287)							
	10	5	V2-M5A	FV2-M5A		5.3 (.209)	8.5 (.335)	21.0 (.827)	7.3 (.287)							
10	5	V2-5A	FV2-5A		5.3 (.209)	9.5 (.374)	21.0 (.827)	7.3 (.287)								
1/4	6	V2-6A	FV2-6A		6.4 (.252)	12.0 (.472)	26.2 (1.032)	11.0 (.433)								
12 to 10 (2.63 to 6.64)	5-6	3.5	V5.5-S3A	FV5.5-S3A		3.7 (.146)	7.2 (.283)	26.2 (1.032)	7.5 (.295)	13.5 (.531)	5.4 (.213)	6.8 (.268)	1.0 (.039)	Yellow	YNT-1210S YA-4 BCT-0514	500
	5-6	3.5	V5.5-3A	FV5.5-3A		3.7 (.146)	9.5 (.374)	26.2 (1.032)	7.5 (.295)							
	8	4	V5.5-S4A	FV5.5-S4A		4.3 (.169)	8.5 (.335)	26.2 (1.032)	7.5 (.295)							
	8	4	V5.5-4A	FV5.5-4A		4.3 (.169)	9.5 (.374)	26.2 (1.032)	7.5 (.295)							
	10	5	V5.5-5A	FV5.5-5A		5.3 (.209)	9.5 (.374)	26.2 (1.032)	7.5 (.295)							
	1/4	6	V5.5-6A	FV5.5-6A		6.4 (.252)	13.5 (.532)	32.2 (1.268)	12.2 (.480)							
5/16	8	V5.5-8A	FV5.5-8A		8.4 (.331)	13.5 (.532)	32.2 (1.268)	12.2 (.480)								

- Note: 1) *The crimping will be more secure if the total cross-sectional area of the wire is at least 0.5 mm².
 Examples: If the cross-sectional area of the wire is 0.3mm², fold the wire in two when crimping the terminal.
 If the cross-sectional area of the wire is 0.5mm², crimp the terminal onto the wire as it is.
- The part numbers indicated in the above table are for products with a brazed seam.
 When ordering products with a butted seam, add the prefix "WS" to the part number (ex. V2-4A → **VWS2-4A**).
 - To order products with nylon insulation, change the "V" in the part number prefix to "N" (ex. V2-4A → **N2-4A**).
 Because nylon absorbs moisture, care must be taken concerning storage.
 - Delivery lead times may vary depending on the product. Contact JST for details.

Solderless terminals



SPADE TONGUE (A type) Vinyl-insulated (funnel-entry)



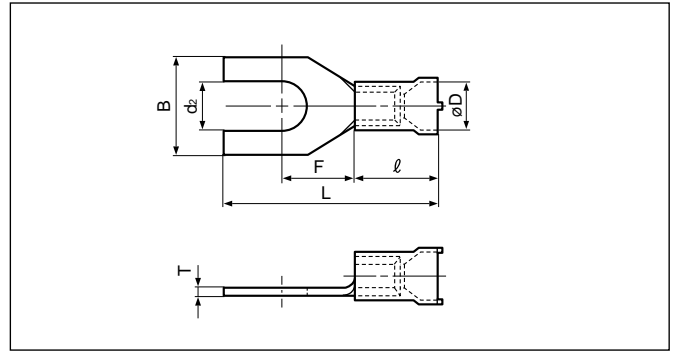
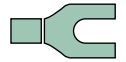
File No.: E42024 LR20812

Applicable Wire AWG#(mm ²)	Stud size		Part No.	Standard	Dimensions mm (in.)						Color	Tool No.	Qty/box	
	American	Metric			d ₂	B	L	F	ℓ	øD				T
22 to 16 (0.25 to 1.65)	3-4	3	FVX1.25-B3A		3.2 (.126)	5.8 (.228)	21.8 (.858)	6.3 (.248)	10.8 (.425)	4.0 (.157)	0.8 (.031)	Red	YNT-2216 YA-1 YA-2 YA-4 BCT-0514	1,000
	5-6	3.5	FVX1.25-N3A		3.7 (.146)	6.2 (.244)	21.8 (.858)	6.3 (.248)						
	5-6	3.5	FVX1.25-YS3A		3.7 (.146)	6.4 (.252)	21.4 (.843)	6.3 (.248)						
	5-6	3.5	FVX1.25-S3A		3.7 (.146)	7.2 (.284)	21.8 (.858)	6.3 (.248)						
	5-6	3.5	FVX1.25-P3A		3.7 (.146)	7.5 (.295)	21.8 (.858)	5.5 (.217)						
	8	4	FVX1.25-YS4A		4.3 (.169)	6.4 (.252)	21.4 (.843)	6.3 (.248)						
	8	4	FVX1.25-S4A		4.3 (.169)	7.2 (.284)	21.8 (.858)	6.3 (.248)						
	8	4	FVX1.25-4A		4.3 (.169)	8.5 (.335)	21.8 (.858)	7.0 (.276)						
	10	5	FVX1.25-S5A		5.3 (.209)	7.2 (.284)	21.8 (.858)	6.3 (.248)						
	10	5	FVX1.25-M5A		5.3 (.209)	8.5 (.335)	21.8 (.858)	7.0 (.276)						
10	5	FVX1.25-5A		5.3 (.209)	9.5 (.374)	21.8 (.858)	7.0 (.276)							
1/4	6	FVX1.25-6A		6.4 (.252)	12.0 (.472)	28.0 (1.102)	11.0 (.433)							
16 to 14 (1.04 to 2.63)	3-4	3	FVX2-N3A		3.2 (.126)	5.9 (.232)	21.8 (.858)	6.3 (.248)	10.8 (.425)	4.6 (.181)	0.8 (.031)	Blue	BCT-0514 YNT-1614 YA-1 YA-2 YA-4 BCT-0514	1,000
	3-4	3	FVX2-M3A		3.2 (.126)	6.0 (.236)	20.5 (.807)	5.0 (.197)						
	5-6	3.5	FVX2-YS3A		3.7 (.146)	6.4 (.252)	21.4 (.843)	6.3 (.248)						
	5-6	3.5	FVX2-S3A		3.7 (.146)	7.2 (.284)	23.0 (.906)	6.5 (.256)						
	5-6	3.5	FVX2-3A		3.7 (.146)	8.5 (.335)	22.8 (.898)	7.3 (.287)						
	8	4	FVX2-YS4A		4.3 (.169)	6.4 (.252)	21.4 (.843)	6.3 (.248)						
	8	4	FVX2-YM4A		4.3 (.169)	6.8 (.268)	21.4 (.843)	6.3 (.248)						
	8	4	FVX2-S4A		4.3 (.169)	7.2 (.284)	23.0 (.906)	6.5 (.256)						
	8	4	FVX2-4A		4.3 (.169)	8.5 (.335)	22.8 (.898)	7.3 (.287)						
	10	5	FVX2-M5A		5.3 (.209)	8.5 (.335)	22.8 (.898)	7.3 (.287)						
	10	5	FVX2-5A		5.3 (.209)	9.5 (.374)	22.8 (.898)	7.3 (.287)						
	1/4	6	FVX2-6A		6.4 (.252)	12.0 (.472)	28.0 (1.102)	11.0 (.433)						
12 to 10 (2.63 to 6.64)	5-6	3.5	FVX5.5-S3A		3.7 (.146)	7.2 (.284)	26.7 (1.051)	7.5 (.295)	14.0 (.551)	6.8 (.268)	1.0 (.039)	Yellow	YNT-1210S YA-4 BCT-0514	500
	5-6	3.5	FVX5.5-3A		3.7 (.146)	9.5 (.374)	26.7 (1.051)	7.5 (.295)						
	8	4	FVX5.5-S4A		4.3 (.169)	8.5 (.335)	26.7 (1.051)	7.5 (.295)						
	8	4	FVX5.5-4A		4.3 (.169)	9.5 (.374)	26.7 (1.051)	7.5 (.295)						
	10	5	FVX5.5-5A		5.3 (.209)	9.5 (.374)	26.7 (1.051)	7.5 (.295)						
	1/4	6	FVX5.5-6A		6.4 (.252)	13.5 (.532)	32.7 (1.287)	12.2 (.480)						
5/16	8	FVX5.5-8A		8.4 (.331)	13.5 (.532)	32.7 (1.287)	12.2 (.480)	250						

Note:1) The part numbers indicated in the above table are for products with a brazed seam.
 When ordering products with a butted seam, add the prefix "WS" to the part number (ex. FVX2-4A → **FVXWS2-4A**).
 2) *The crimping will be more secure if the total cross-sectional area of the wire is at least 0.5 mm².
 Examples: If the cross-sectional area of the wire is 0.3mm², fold the wire in two when crimping the terminal.
 If the cross-sectional area of the wire is 0.5mm², crimp the terminal onto the wire as it is.
 3) Delivery lead times may vary depending on the product. Contact JST for details.



SPADE TONGUE (A type) Vinyl-insulated (funnel-entry)



File No.: E42024 LR20812

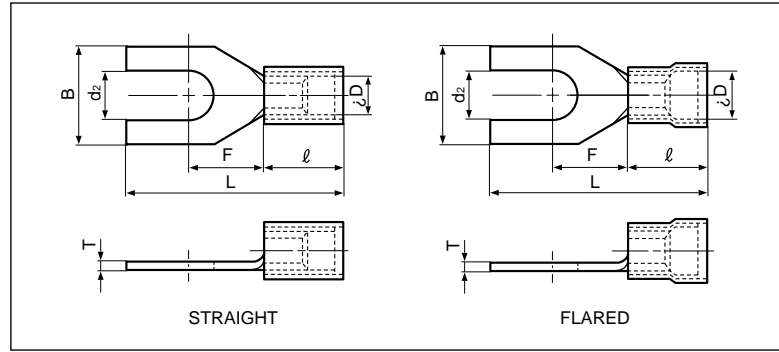
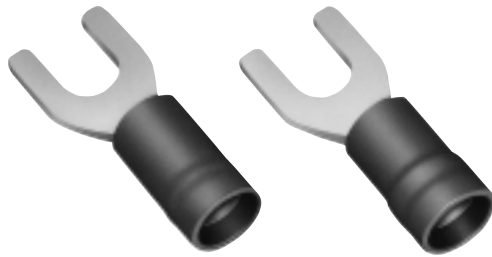
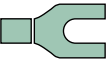
Applicable Wire AWG#(mm ²)	Stud size		Part No.	Standard	Dimensions mm (in.)						Color	Tool No.	Qty/box	
	American	Metric			d ₂	B	L	F	ℓ	øD				T
22 to 16 (0.25 to 1.65)	1-2	2	FVL1.25-2A		2.2 (.087)	4.6 (.181)	19.2 (.756)	4.3 (.169)	9.4 (.370)	4.2 (.165)	0.8 (.031)	Red	YNT-2216 YA-1 YA-2 YA-4 BCT-0514	1,000
	3-4	3	FVL1.25-B3A		3.2 (.126)	5.8 (.228)	20.4 (.803)	6.3 (.248)						
	5-6	3.5	FVL1.25-N3A		3.7 (.146)	6.2 (.244)	20.4 (.803)	6.3 (.248)						
	5-6	3.5	FVL1.25-YS3A		3.7 (.146)	6.4 (.252)	20.0 (.787)	6.3 (.248)						
	5-6	3.5	FVL1.25-S3A		3.7 (.146)	7.2 (.284)	20.4 (.803)	6.3 (.248)						
	5-6	3.5	FVL1.25-P3A		3.7 (.146)	7.5 (.295)	18.4 (.724)	5.5 (.217)						
	8	4	FVL1.25-YS4A		4.3 (.169)	6.4 (.252)	20.0 (.787)	6.3 (.248)						
	8	4	FVL1.25-S4A		4.3 (.169)	7.2 (.284)	20.4 (.803)	6.3 (.248)						
	8	4	FVL1.25-4A		4.3 (.169)	8.5 (.335)	20.4 (.803)	7.0 (.276)						
	10	5	FVL1.25-M5A		5.3 (.209)	8.5 (.335)	20.4 (.803)	7.0 (.276)						
	10	5	FVL1.25-5A		5.3 (.209)	9.5 (.374)	20.4 (.803)	7.0 (.276)						
	10	5	FVL1.25-S5A		5.3 (.209)	7.2 (.284)	20.4 (.803)	6.3 (.248)						
1/4	6	FVL1.25-6A		6.4 (.252)	12.0 (.472)	26.6 (1.047)	11.0 (.433)							
16 to 14 (1.04 to 2.63)	3-4	3	FVL2-N3A		3.2 (.126)	5.9 (.232)	20.4 (.803)	6.3 (.248)	9.4 (.370)	4.7 (.185)	0.8 (.031)	Blue	YNT-1614 YA-1 YA-2 YA-4 BCT-0514	1,000
	3-4	3	FVL2-M3A		3.2 (.126)	6.0 (.236)	19.1 (.752)	5.0 (.197)						
	5-6	3.5	FVL2-YS3A		3.7 (.146)	6.4 (.252)	20.0 (.787)	6.3 (.248)						
	5-6	3.5	FVL2-S3A		3.7 (.146)	7.2 (.284)	20.6 (.811)	6.5 (.256)						
	5-6	3.5	FVL2-3A		3.7 (.146)	8.5 (.335)	21.4 (.843)	7.3 (.287)						
	8	4	FVL2-YS4A		4.3 (.169)	6.4 (.252)	20.0 (.787)	6.3 (.248)						
	8	4	FVL2-YM4A		4.3 (.169)	6.8 (.268)	20.0 (.787)	6.3 (.248)						
	8	4	FVL2-S4A		4.3 (.169)	7.2 (.284)	20.6 (.811)	6.5 (.256)						
	8	4	FVL2-4A		4.3 (.169)	8.5 (.335)	21.4 (.843)	7.3 (.287)						
	10	5	FVL2-M5A		5.3 (.209)	8.5 (.335)	21.4 (.843)	7.3 (.287)						
	10	5	FVL2-5A		5.3 (.209)	9.5 (.374)	21.4 (.843)	7.3 (.287)						
	1/4	6	FVL2-6A		6.4 (.252)	12.0 (.472)	26.6 (1.047)	11.0 (.433)						
12 to 10 (2.63 to 6.64)	5-6	3.5	FVL5.5-S3A		3.7 (.146)	7.2 (.284)	26.5 (1.043)	7.5 (.295)	13.8 (.543)	7.0 (.276)	1.0 (.039)	Yellow	YNT-1210S YA-4 BCT-0514	500
	5-6	3.5	FVL5.5-3A		3.7 (.146)	9.5 (.374)	26.5 (1.043)	7.5 (.295)						
	8	4	FVL5.5-S4A		4.3 (.169)	8.5 (.335)	26.5 (1.043)	7.5 (.295)						
	8	4	FVL5.5-4A		4.3 (.169)	9.5 (.374)	26.5 (1.043)	7.5 (.295)						
	10	5	FVL5.5-5A		5.3 (.209)	9.5 (.374)	26.5 (1.043)	7.5 (.295)						
	1/4	6	FVL5.5-6A		6.4 (.252)	13.5 (.532)	32.5 (1.280)	12.2 (.480)						
5/16	8	FVL5.5-8A		8.4 (.331)	13.5 (.532)	32.5 (1.280)	12.2 (.480)							

- Note: 1) The part numbers indicated in the above table are for products with a brazed seam.
 When ordering products with a butted seam, add the prefix "WS" to the part number (ex. FVL2-4A → **FVLWS2-4A**).
 2) *The crimping will be more secure if the total cross-sectional area of the wire is at least 0.5 mm².
 Examples: If the cross-sectional area of the wire is 0.3mm², fold the wire in two when crimping the terminal.
 If the cross-sectional area of the wire is 0.5mm², crimp the terminal onto the wire as it is.
 3) Delivery lead times may vary depending on the product. Contact JST for details.

Solderless terminals



SPADE TONGUE (A type) Vinyl-insulated with copper sleeve



File No.: E42024 LR20812

Applicable Wire AWG#(mm ²)	Stud size		Part No.		Standard	Dimensions mm (in.)										Color	Tool No.	Qty/box
	American	Metric	Straight	Flared		d ₂	B	L	F	ℓ	∅ D		T					
											Str.	Fid.						
26 to 22 (0.2 to 0.5)	3-4	3	VD0.5-3A	-		3.2 (.126)	5.0 (.197)	16.5 (.650)	6.0 (.236)	8.0 (.315)	2.2 (.087)	2.5 (.098)	0.5 (.020)	Yellow	YNT-2622 YA-1, YA-2 BCT-0514	1,000		
	5-6	3.5	VD0.5-3.7A	-		3.7 (.146)	6.4 (.252)	19.0 (.748)	7.7 (.303)	8.3 (.327)								
	3-4	3	-	FVD0.5-3A		3.2 (.126)	5.0 (.197)	16.8 (.661)	6.0 (.236)	8.3 (.327)								
	5-6	3.5	-	FVD0.5-3.7A		3.7 (.146)	6.4 (.252)	19.3 (.760)	7.7 (.303)	8.3 (.327)								
22 to 16 (0.25 to 1.65)	1-2	2	VD1.25-2A	FVD1.25-2A		2.2 (.087)	4.6 (.181)	19.4 (.764)	4.3 (.169)	9.6 (.378)	3.5 (.138)	4.0 (.157)	0.8 (.031)	Red	YNT-2216 YA-1 YA-2 YA-4 BCT-0514	1,000		
	3-4	3	VD1.25-B3A	FVD1.25-B3A		3.2 (.126)	5.8 (.228)	20.6 (.811)	6.3 (.248)									
	5-6	3.5	VD1.25-N3A	FVD1.25-N3A		3.7 (.146)	6.2 (.244)	20.6 (.811)	6.3 (.248)									
	5-6	3.5	VD1.25-YS3A	FVD1.25-YS3A		3.7 (.146)	6.4 (.252)	20.2 (.795)	6.3 (.248)									
	5-6	3.5	VD1.25-S3A	FVD1.25-S3A		3.7 (.146)	7.2 (.284)	20.6 (.811)	6.3 (.248)									
	5-6	3.5	VD1.25-P3A	FVD1.25-P3A		3.7 (.146)	7.5 (.295)	18.6 (.732)	5.5 (.217)									
	8	4	VD1.25-YS4A	FVD1.25-YS4A		4.3 (.169)	6.4 (.252)	20.2 (.795)	6.3 (.248)									
	8	4	VD1.25-S4A	FVD1.25-S4A		4.3 (.169)	7.2 (.284)	20.6 (.811)	6.3 (.248)									
	8	4	VD1.25-4A	FVD1.25-4A		4.3 (.169)	8.5 (.335)	20.6 (.811)	7.0 (.276)									
	10	5	VD1.25-S5A	FVD1.25-S5A		5.3 (.209)	7.2 (.284)	20.6 (.811)	6.3 (.248)									
	10	5	VD1.25-M5A	FVD1.25-M5A		5.3 (.209)	8.5 (.335)	20.6 (.811)	7.0 (.276)									
	10	5	VD1.25-5A	FVD1.25-5A		5.3 (.209)	9.5 (.374)	20.6 (.811)	7.0 (.276)									
1/4	6	VD1.25-6A	FVD1.25-6A		6.4 (.252)	12.0 (.472)	26.8 (1.055)	11.0 (.433)										
16 to 14 (1.04 to 2.63)	3-4	3	VD2-N3A	FVD2-N3A		3.2 (.126)	5.9 (.232)	20.6 (.811)	6.3 (.248)	9.6 (.378)	4.1 (.161)	4.7 (.185)	0.8 (.031)	Blue	YNT-1614 YA-1 YA-2 YA-4 BCT-0514	1,000		
	3-4	3	VD2-M3A	FVD2-M3A		3.2 (.126)	6.0 (.236)	19.3 (.760)	5.0 (.197)									
	5-6	3.5	VD2-YS3A	FVD2-YS3A		3.7 (.146)	6.4 (.252)	20.2 (.795)	6.3 (.248)									
	5-6	3.5	VD2-S3A	FVD2-S3A		3.7 (.146)	7.2 (.284)	20.8 (.819)	6.5 (.256)									
	5-6	3.5	VD2-3A	FVD2-3A		3.7 (.146)	8.5 (.335)	21.6 (.850)	7.3 (.287)									
	8	4	VD2-YS4A	FVD2-YS4A		4.3 (.169)	6.4 (.252)	20.2 (.795)	6.3 (.248)									
	8	4	VD2-YM4A	FVD2-YM4A		4.3 (.169)	6.8 (.268)	20.2 (.795)	6.3 (.248)									
	8	4	VD2-S4A	FVD2-S4A		4.3 (.169)	7.2 (.284)	20.8 (.819)	6.5 (.256)									
	8	4	VD2-4A	FVD2-4A		4.3 (.169)	8.5 (.335)	21.6 (.850)	7.3 (.287)									
	10	5	VD2-M5A	FVD2-M5A		5.3 (.209)	8.5 (.335)	21.6 (.850)	7.3 (.287)									
	10	5	VD2-5A	FVD2-5A		5.3 (.209)	9.5 (.374)	21.6 (.850)	7.3 (.287)									
	1/4	6	VD2-6A	FVD2-6A		6.4 (.252)	12.0 (.472)	26.8 (1.055)	11.0 (.433)									
12 to 10 (2.63 to 6.64)	5-6	3.5	VD5.5-S3A	FVD5.5-S3A		3.7 (.146)	7.2 (.283)	26.7 (1.051)	7.5 (.295)	14.0 (.551)	5.7 (.224)	6.5 (.256)	1.0 (.039)	Yellow	YNT-1210S YA-4 BCT-0514	500		
	5-6	3.5	VD5.5-3A	FVD5.5-3A		3.7 (.146)	9.5 (.374)	26.7 (1.051)	7.5 (.295)									
	8	4	VD5.5-S4A	FVD5.5-S4A		4.3 (.169)	8.5 (.335)	26.7 (1.051)	7.5 (.295)									
	8	4	VD5.5-4A	FVD5.5-4A		4.3 (.169)	9.5 (.374)	26.7 (1.051)	7.5 (.295)									
	10	5	VD5.5-5A	FVD5.5-5A		5.3 (.209)	9.5 (.374)	26.7 (1.051)	7.5 (.295)									
	1/4	6	VD5.5-6A	FVD5.5-6A		6.4 (.252)	13.5 (.532)	32.7 (1.287)	12.2 (.480)									
5/16	8	VD5.5-8A	FVD5.5-8A		8.4 (.331)	13.5 (.532)	32.7 (1.287)	12.2 (.480)										

Note: 1) The part numbers indicated in the above table are for products with a brazed seam.
 When ordering products with a butted seam, add the prefix "WS" to the part number (ex. VD2-4A → **VDWS2-4A**).
 2) To order products with nylon insulation, change the "V" in the part number prefix to "N" (ex. VD2-4A → **ND2-4A**).
 Because nylon absorbs moisture, care must be taken concerning storage.
 3) Delivery lead times may vary depending on the product. Contact JST for details.

PRODUCT INFORMATION

**PART NUMBER:**

Varies with colour and packing.

DESCRIPTION:

Circular 3-core, 0.75mm² (24/0.2mm) Tinned Copper, 150°C Silicone Rubber Insulated, laid up, 85°C PVC Sheathed, 300/500V.
BS 6141, Table 10, (now withdrawn).

CONDUCTORS:

0.75mm² tinned annealed copper bunch meeting the requirements of BS 6360, class 5.
Maximum resistance at 20°C = 20.0Ω/km.
Approximate diameter = 1.3mm.

INSULATION:

Type EI 2 silicone rubber meeting the requirements of BS EN 50363.
Minimum average radial thickness = 0.6mm.
Nominal diameter = 2.5mm.

LAY UP:

One Green/Yellow, one Blue, and one Brown core.

SCREEN:

Not applicable.

SHEATH:

Type 4 PVC compound meeting the requirements of BS 6746 (now withdrawn).
Minimum average radial thickness = 0.8mm.
Minimum overall diameter = 6.4mm.
Nominal overall diameter = 6.8mm.
Maximum overall diameter = 8.0mm.

SERVICE DATA:

For use with appliances and equipment in domestic or similar environments for ordinary duty.

Rated Voltage (U_o/U): 300/500V.
Maximum Conductor Operating Temperature: +85°C.
Minimum Installation and Bending Temperature: +5°C.
Minimum Operating Temperature: -15°C (not subjected to flexing or vibration).
Approximate Mass per Unit Length: 79kg/km.