

CABLE DRAWING: **CAB-0XXX (SALEM CODE)**

DRAWING TITLE:
RF-IN Enclosure Wall to ASC Cable

DRAWING NO.: MWACAB-0002	DRAWN BY: DRC	DATE: 3-Dec-09	REV: A
		SHEET: 1 of 2	

Cable Detail:

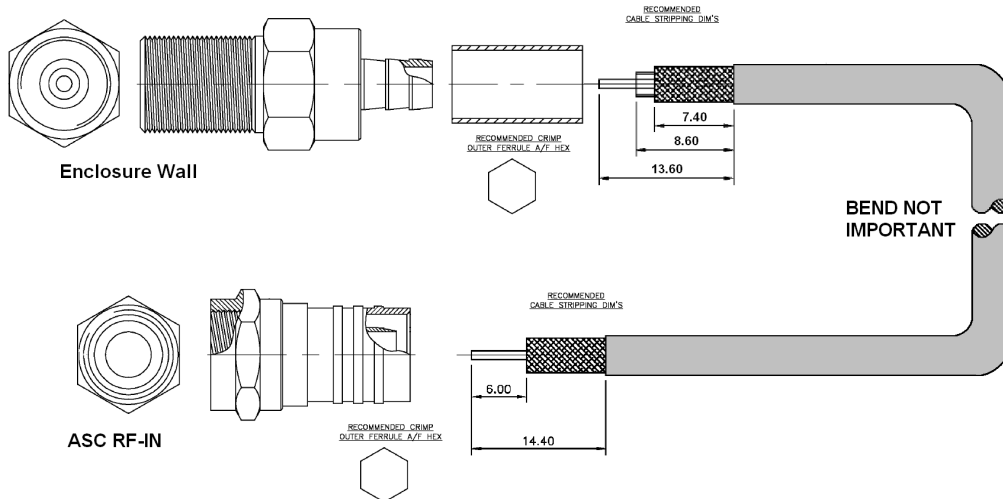
Connectors:	Description	Parts (Qty)
Enc-Wall	Jack, F, Bulkhead, 75R, RG59B	See Note1 Below(1)
ASC	Plug, F, Straight, 75R, RG59B	See Note2 Below(1)
Conductors:		
Cable	RG59B Pro Power - 3071200002 - Cable, Coax, RG59/U	See Note3 Below(??)
Misc:		
-		

Overall Length ??+/-5mm

Notes:

1. The "F" Type Bulkhead connector can be supplied from Farnell #124-8981. Any equivalent will be OK refer to data sheets supplied with this drawing.
2. The "F" Type Straight connector can be supplied from Farnell #124-8974. Any equivalent will be OK refer to data sheets supplied with this drawing.
3. The cable can be supplied from Farnell #165-0603. Any equivalent will be OK refer to data sheets supplied with this drawing

Typical Drawing:



REVISION

Date	Rev	Remarks
02/12/09	A	Draft

CABLE DRAWING: **CAB-0XXX (SALEM CODE)**

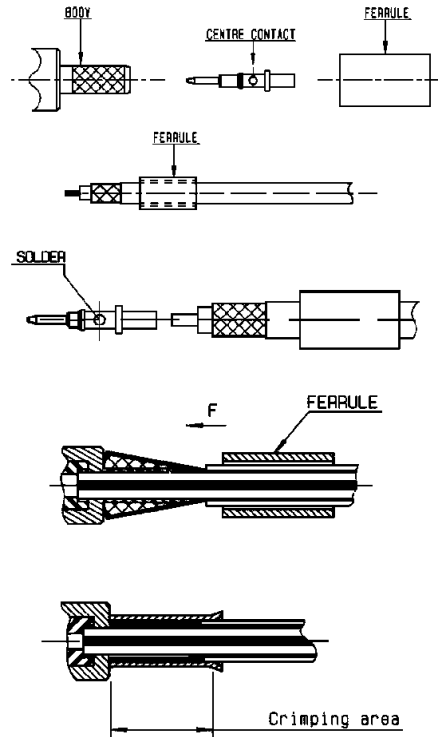
DRAWING TITLE:
RF-IN Enclosure Wall to ASC Cable

DRAWING NO.: MWACAB-0002	DRAWN BY: DRC	DATE: 3-Dec-09	REV: A
		SHEET: 2 of 2	

Assembly Details:

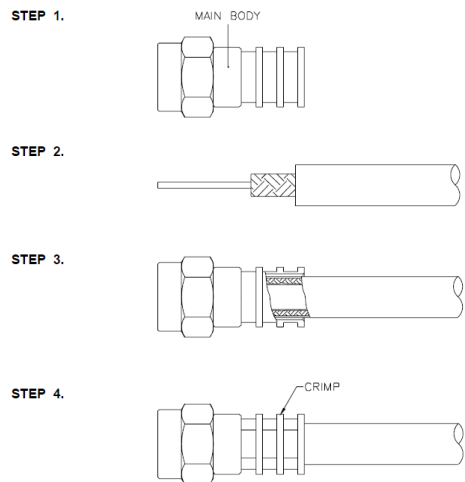
Enclosure Wall End

- STEP 1. All parts of the connector are shown. A crimp tool is necessary to complete the connection.
- STEP 2. Strip the inner conductor, dielectric, braid, and jacket as per the cable stripping dimensions given above. Slide the ferrul onto the cable.
- STEP 3. Slide on the centre contact until it bottoms against the cable dielectric. Solder the centre contact.
- STEP 4. Fan the braid. Slide the cabel into the body until it bottoms against the insulator. Slide the ferrule over the braid in direction F.
- STEP 5. Crimp the ferrule with a crimping tool, then remove any excess braid.



ASC End

- STEP 1. All parts of the connector are shown. A crimp tool is necessary to complete the connection.
- STEP 2. Strip the inner conductor, dielectric, braid, and jacket as per the cable stripping dimensions given above.
- STEP 3. Insert cable into the back end of MAIN BODY gently, and feed it into the guide hole.
- STEP 4. Crimp it with the crimp tool as shown.



Connection Detail:

From: (Enc-Wall) Attached to the Enclosure Wall
To: (ASC) ASC1/2 F Connector inputs

REVISION

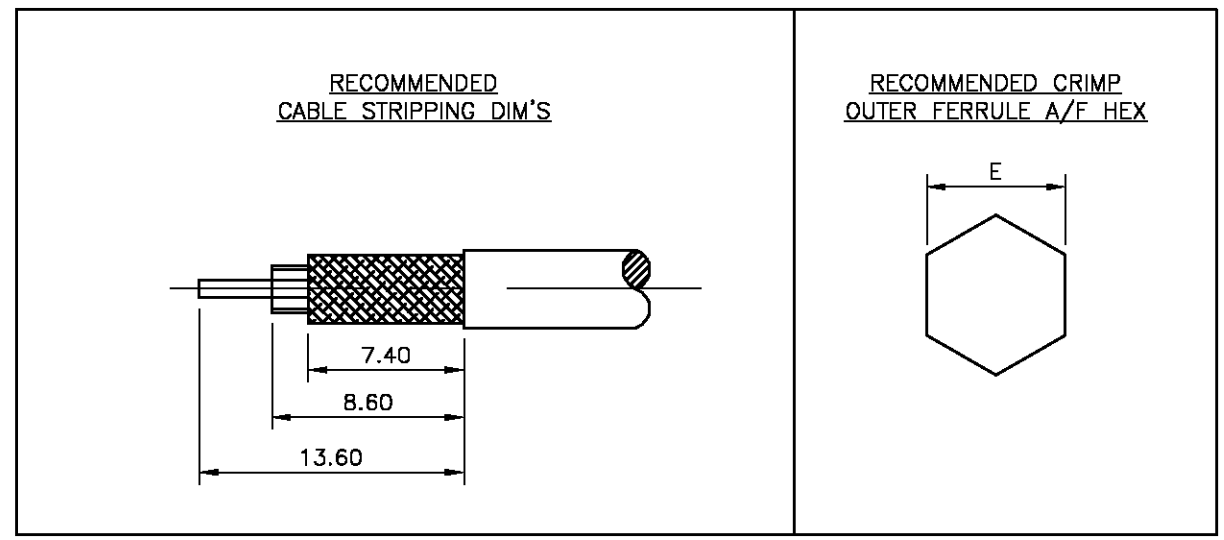
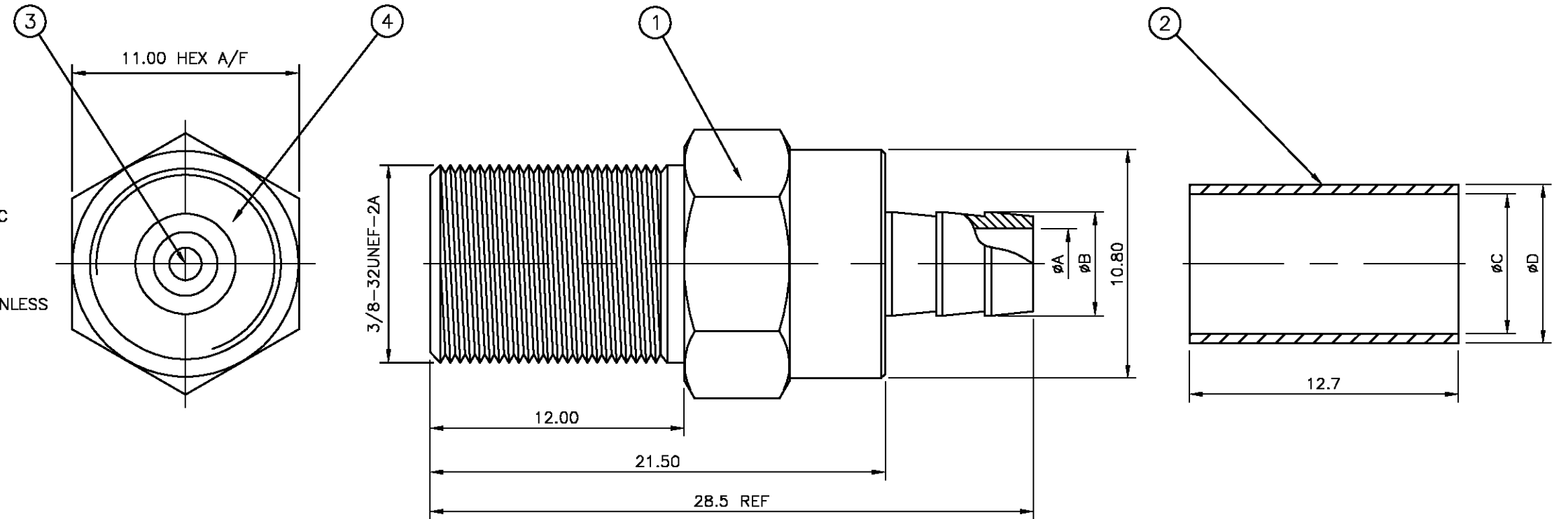
Date	Rev	Remarks
02/12/09	A	Draft

THIS DRAWING IS UNPUBLISHED. RELEASED FOR PUBLICATION NOV, 2006.
 © COPYRIGHT 2006 BY TYCO ELECTRONICS CORPORATION. ALL RIGHTS RESERVED.

LOC	DIST	REVISIONS					
E	B	P	LTR	DESCRIPTION	DATE	DWN	APVD
		A		FIRST ISSUE	16NOV06	JMS	FWK

- NOTES**
- 1 SINGLE PACK IN ACCORDANCE WITH AMP SPEC 107-3275
 - 2 100 TRAY PACK IN ACCORDANCE WITH AMP SPEC 107-3275
 - 3 NI PLATING
 - 4 TIN PLATING
5. **ELECTRICAL CHARACTERISTICS**
 FREQUENCY RANGE: DC - 2 GHz
 NOMINAL IMPEDANCE: 75 Ohm
 INSULATION RESISTANCE: N/A
 WORKING VOLTAGE: N/A
 DIELECTRIC WITHSTAND VOLTAGE: N/A
 CONTACT RESISTANCE: N/A
 CENTRE CONTACT: N/A
 OUTER CONTACT: N/A
 VSWR @ 3GHz: 1.35:1
 INSERTION LOSS dB @ x 1.5 GHz: N/A
6. **MECHANICAL CHARACTERISTICS**
 COUPLING NUT PROOF TORQUE: 3.4 Nm
 CABLE RETENTION FORCE: N/A
 DURABILITY: 50 Cycles Min
7. **ENVIRONMENTAL CHARACTERISTICS**
 OPERATING TEMPERATURE: -55 to +85 DegC
8. FOR TECHNICAL DATA REFER TO YOUR LOCAL TYCO ELECTRONICS SALES OFFICE
9. ALL DIMENSIONS ARE NOMINAL FOR REFERENCE ONLY UNLESS OTHERWISE STATED

DIE SET	E	D	C	B	A	CABLE GROUPS	PART NO.
9-1478243-0	8.30	9.30	8.30	7.00	5.70	CT125	5-1814826-7
9-1478243-0	8.30	9.30	8.30	7.00	5.70	CT125	5-1814826-6
9-1478242-0	6.50	7.50	6.70	5.60	4.60	CT100	5-1814826-5
9-1478242-0	6.50	7.50	6.70	5.60	4.60	CT100	5-1814826-4
9-1478243-0	8.60	9.60	8.70	6.80	4.85	RG6/U	5-1814826-3
9-1478243-0	8.60	9.60	8.70	6.80	4.85	RG6/U	5-1814826-2
9-1478242-0	6.50	7.50	6.80	4.90	3.90	RG59B/U, 62A/U, 140/U, 210/U, URM90, Belden 9291, 9291, KX6A, KX25, KX52, KX53	5-1814826-1
9-1478242-0	6.50	7.50	6.60	4.90	3.90	RG59B/U, 62A/U, 140/U, 210/U, URM90, Belden 9291, 9291, KX6A, KX25, KX52, KX53	5-1814826-0



1	1	1	1	1	1	1	1	POLYPROPYLENE	INSULATOR	4
1	1	1	1	1	1	1	1	BRASS	CONTACT	3
1	1	1	1	1	1	1	1	ZINC ALLOY	FERRULE	2
1	1	1	1	1	1	1	1	BRASS	BODY	1
5	75	65	55	45	35	25	15	0	MATERIAL	DESCRIPTION
△	△	△	△	△	△	△	△	△		

THIS DRAWING IS A CONTROLLED DOCUMENT.

DWN: J.SANDWELL 16NOV06
 CHK: S.PARLOW 16NOV06
 APVD: F.WHEELER-KING 16NOV06

tyco Electronics Tyco Electronics Corporation
 Bideford, UK, EX39 4HE

NAME: F TYPE BLK JK R/M

SIZE: A3 CAGE CODE: 00779 DRAWING NO: C-1814826 RESTRICTED TO: -

MATERIAL: SEE TABLE FINISH: - WEIGHT: -

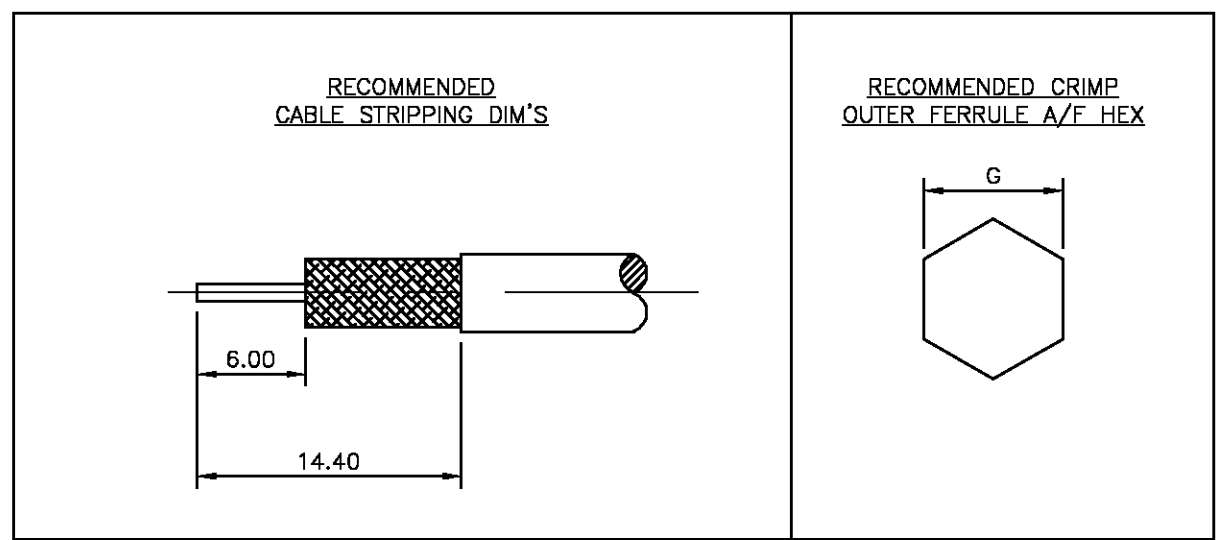
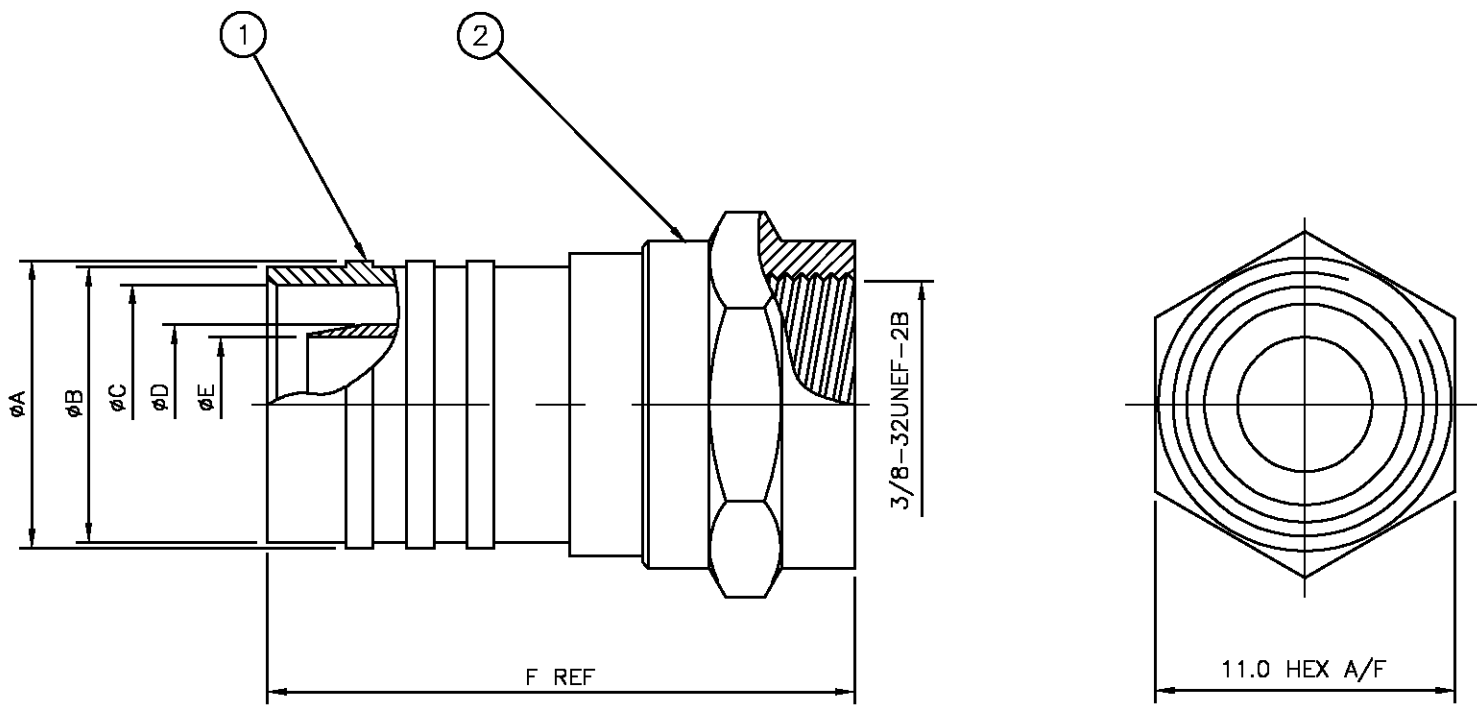
CUSTOMER DRAWING SCALE: NTS SHEET: 1 OF 1 REV: A

THIS DRAWING IS UNPUBLISHED. RELEASED FOR PUBLICATION NOV ,2006.
 © COPYRIGHT 2006 BY TYCO ELECTRONICS CORPORATION. ALL RIGHTS RESERVED.

LOC	DIST	REVISIONS					
E	B	P	LTR	DESCRIPTION	DATE	DWN	APVD
		A		FIRST ISSUE	16NOV06	JMS	FWK

- NOTES**
- 1 SINGLE PACK IN ACCORDANCE WITH AMP SPEC 107-3275
 - 2 100 TRAY PACK IN ACCORDANCE WITH AMP SPEC 107-3275
 - 3 NI PLATING
 4. HAND TOOL: 9-1478240-0
 5. **ELECTRICAL CHARACTERISTICS**
 FREQUENCY RANGE: DC - 2 GHz
 NOMINAL IMPEDANCE: 75 Ohm
 INSULATION RESISTANCE: N/A
 WORKING VOLTAGE: N/A
 DIELECTRIC WITHSTAND VOLTAGE: N/A
 CONTACT RESISTANCE: N/A
 CENTRE CONTACT: N/A
 OUTER CONTACT: N/A
 VSWR @ 3GHz: 1.35:1
 INSERTION LOSS dB @ x 1.5 GHz: N/A
 6. **MECHANICAL CHARACTERISTICS**
 COUPLING NUT PROOF TORQUE: 3.4 Nm
 CABLE RETENTION FORCE: N/A
 DURABILITY: 50 Cycles Min
 7. **ENVIRONMENTAL CHARACTERISTICS**
 OPERATING TEMPERATURE: -55 to +85 DegC
 8. FOR TECHNICAL DATA REFER TO YOUR LOCAL TYCO ELECTRONICS SALES OFFICE
 9. ALL DIMENSIONS ARE NOMINAL FOR REFERENCE ONLY UNLESS OTHERWISE STATED

-	9.50	19.40	6.00	6.70	8.70	10.00	10.50	CT125	5-1814821-7
-	9.50	19.40	6.00	6.70	8.70	10.00	10.50	CT125	5-1814821-6
9-1478243-0	8.50	19.40	4.85	5.70	7.70	9.00	9.50	CT100	5-1814821-5
9-1478243-0	8.50	19.40	4.85	5.70	7.70	9.00	9.50	CT100	5-1814821-4
1583581-1	10.20	19.40	4.85	5.50	9.50	10.80	11.20	RG6/U	5-1814821-3
1583581-1	10.20	19.40	4.85	5.50	9.50	10.80	11.20	RG6/U	5-1814821-2
9-1478243-0	8.50	20.40	3.90	4.70	7.50	9.00	9.50	RG59B/U, 62A/U, 140/U, 210/U, URM90, Belden 9291, 9291, KX6A, KX25, KX52, KX53	5-1814821-1
9-1478243-0	8.50	20.40	3.90	4.70	7.50	9.00	9.50	RG59B/U, 62A/U, 140/U, 210/U, URM90, Belden 9291, 9291, KX6A, KX25, KX52, KX53	5-1814821-0
DIE SET	G	F	E	D	C	B	A	CABLE GROUPS	PART NO.



1	1	1	1	1	1	1	1	1	ZINC ALLOY	△	COUPLING NUT	2
1	1	1	1	1	1	1	1	1	BRASS	△	BODY	1
5	75	65	55	45	35	25	15	0	MATERIAL		DESCRIPTION	ITEM

THIS DRAWING IS A CONTROLLED DOCUMENT.

DWN: J.SANDWELL 16NOV06
 CHK: S.PARLOW 16NOV06
 APVD: F.WHEELER-KING 16NOV06

tyco Electronics Tyco Electronics Corporation
 Bideford, UK, EX39 4HE

NAME: F TYPE STR PLG HEX

PRODUCT SPEC: -
 APPLICATION SPEC: -
 WEIGHT: -

SIZE: A3 CAGE CODE: 00779 DRAWING NO: C-1814821 RESTRICTED TO: -

CUSTOMER DRAWING SCALE: NTS SHEET: 1 OF 1 REV: A

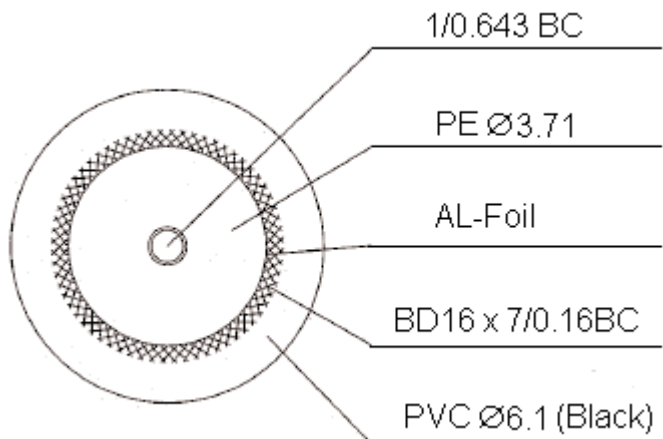
PART NO.

3071200002

REVISIONS

ECN #	REV	DESCRIPTION	DRAWN	DATE	CHECKD	DATE	APPRVD	DATE
-	A	RELEASED	Veena	20/01/09	Suresh	20/01/09	Farnell	03/02/09

3071200002:



Dimensions : Millimetres

Part Number Table

Description	Part Number
Cable, Coax, RG59/U, Black, 100M	3071200002

<http://www.farnell.com>

<http://www.newark.com>

<http://www.cpc.co.uk>

This data sheet and its contents (the "Information") belong to the Premier Farnell Group (the "Group") or are licensed to it. No licence is granted for the use of it other than for information purposes in connection with the products to which it relates. No licence of any intellectual property rights is granted. The Information is subject to change without notice and replaces all data sheets previously supplied. The Information supplied is believed to be accurate but the Group assumes no responsibility for its accuracy or completeness, any error in or omission from it or for any use made of it. Users of this data sheet should check for themselves the Information and the suitability of the products for their purpose and not make any assumptions based on information included or omitted. Liability for loss or damage resulting from any reliance on the Information or use of it (including liability resulting from negligence or where the Group was aware of the possibility of such loss or damage arising) is excluded. This will not operate to limit or restrict the Group's liability for death or personal injury resulting from its negligence. PRO POWER is the registered trademark of the Group. © Premier Farnell plc 2009.

TOLERANCES:

UNLESS OTHERWISE SPECIFIED, DIMENSIONS ARE FOR REFERENCE PURPOSES ONLY.

DRAWN BY:	DATE:
Veena	20/01/09
CHECKED BY:	DATE:
Suresh	20/01/09
APPROVED BY:	DATE:
Farnell	03/02/09

DRAWING TITLE:

Coax Cable

SIZE A	DWG NO. P10001909	ELECTRONIC FILE 3071200002_DWG	REV A
SCALE: NTS	U.O.M.: mm	SHEET: 1 OF 1	