

CABLE DRAWING: **CAB-0XXX (SALEM CODE)**

DRAWING TITLE:  
**ASC1 to SBC(ASC1) I2C Control Cable**

DRAWING NO.: <b>MWACAB-0001</b>	DRAWN BY: <b>DRC</b>	DATE: 2-Dec-09	REV: <b>A</b>
		SHEET: 1 of 2	

**Cable Detail:**

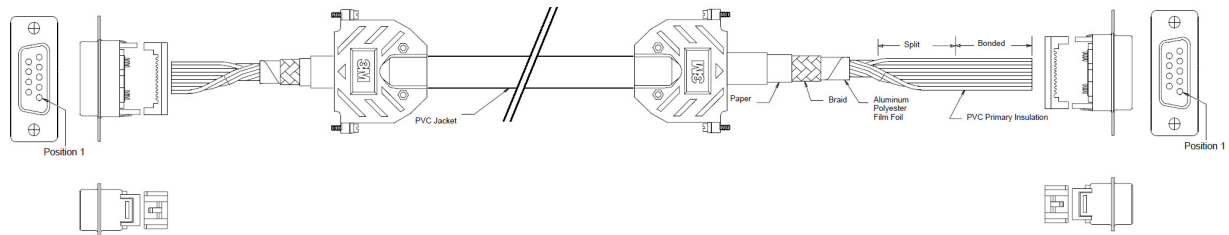
Connectors:	Description	Parts (Qty)
ASC1	DE9 Female IDC	See Note1 Below(1)
SBC	DE9 Female IDC	See Note1 Below(1)
Conductors:		
Cable	Ribbon Cable, Rnd/Flat, 9Way	See Note2 Below(??)
Misc:		
Backshell	For ASC1 & SBC ends	See Note3 Below(2)

Overall Length ??+/-5mm

**Notes:**

1. DE9 Female IDC connector can be supplied from Farnell #469-415. Any equivalent will be OK refer to data sheets supplied with this drawing.
2. The ribbon cable can be supplied from Farnell #297-537. Any equivalent will be OK refer to data sheets supplied with this drawing.
3. The connector backshells can be supplied from Farnell #167-2004. Any equivalent will be OK refer to data sheets supplied with this drawing

**Typical Drawing:**



**REVISION**

Date	Rev	Remarks
02/12/09	A	Draft

CABLE DRAWING:

**CAB-0XXX (SALEM CODE)**

DRAWING TITLE:

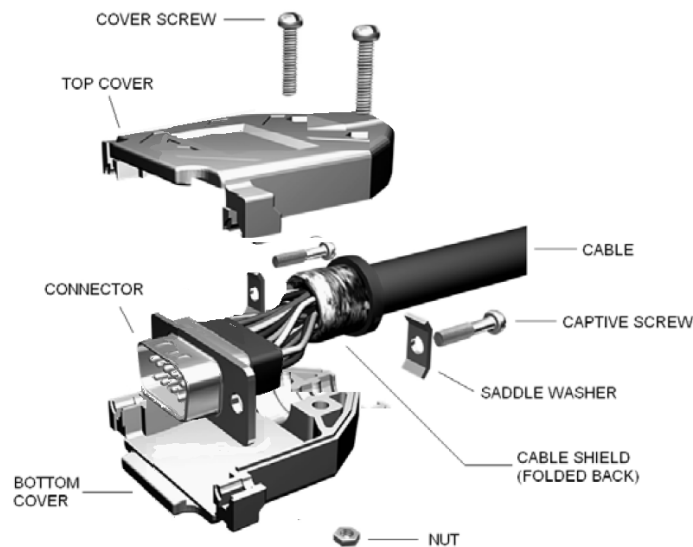
**ASC1 to SBC(ASC1) I2C Control Cable**

DRAWING NO.: <b>MWACAB-0001</b>	DRAWN BY: <b>DRC</b>	DATE: 2-Dec-09	REV: <b>A</b>
		SHEET: 2 of 2	

**Pinouts Table:**

ASC-I2C Pins(9)		SBC-ASC1 Pins(9)
1	I2C_addr_sel	1
2	NC	2
3	I2C_sclk	3
4	NC	4
5	I2C_sdate	5
6	0V	6
7	0V	7
8	0V	8
9	3V3	9

**Assembly Details:**



**Connection Detail:**

From: (ASC1) ASC Front Panel I2C Connector  
 To: (SBC) SBC Front Panel ASC1 Connector

**REVISION**

Date	Rev	Remarks
02/12/09	A	Draft

# D Sub

## Socket Connector

8300 Series



57

- Available in either preassembled or two piece covers
- Available in either open or closed end cover
- Improved metal strain relief — hooks directly to metal shell
- Low profile
- Four mounting options

Date Modified: September 29, 1999

TS-0235-17  
Sheet 1 of 3

---

## Physical

### Insulation

Material: Glass Filled Polyester (PBT)  
Flammability: UL 94V-0  
Color: Gray

### Contact

Material: Copper Alloy  
Plating  
Underplate: 100  $\mu$ " (1.27  $\mu$ m) Nickel — QQ-N-290, Class 2  
Wiping Area: 30  $\mu$ " (0.76  $\mu$ m) Gold — MIL-G-45204, Type II, Grade C

### Shell

Material: Steel  
Plating: Tin

**Strain Relief Material:** Stainless Steel .016 (0.40) Thick

**Wire Accommodation:** 26 & 28 AWG Solid or Stranded

**Marking:** 3M Logo & Contact Position Numbers

---

## Electrical

**Current Rating:** 1 A

**Insulation Resistance:**  $> 1 \times 10^9 \Omega$  at 500 VDC

**Withstanding Voltage:** 1000 Vrms at Sea Level

---

## Environmental

**Temperature Rating:**  $-55^\circ$  to  $+105^\circ$

UL File No.: E68080

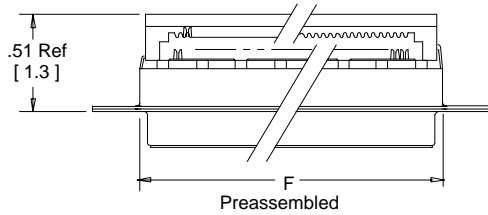
---

### 3M Interconnect Solutions Division

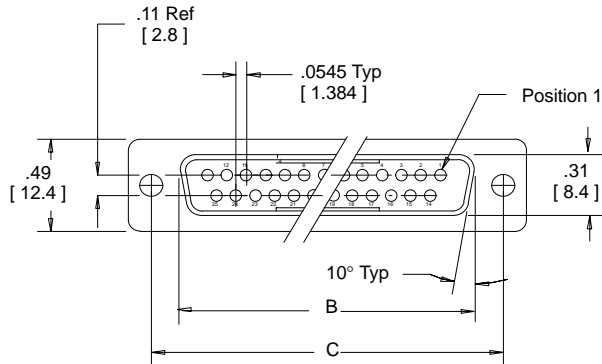
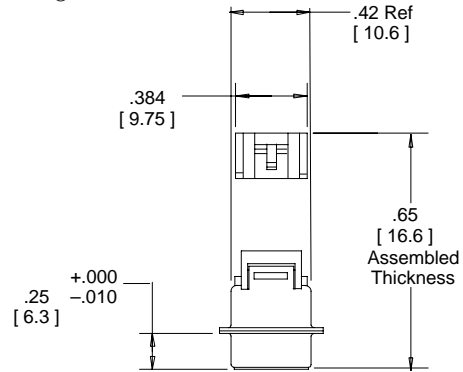
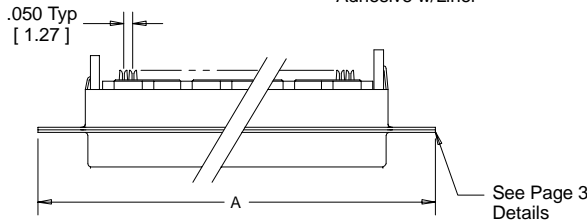
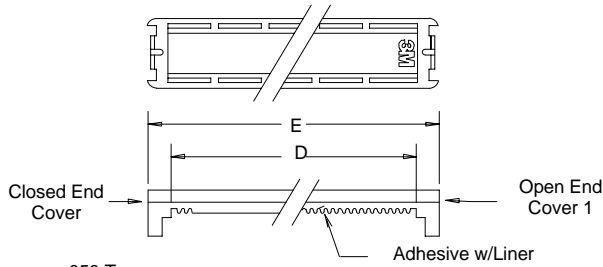
6801 River Place Blvd.  
Austin, TX 78726-9000

For technical, sales or ordering information call  
**800-225-5373**

Contact Quantity	Dimensions					
	A	B	C	D	E	F ± .008
09	1.23 [ 31.2 ]	.64 [ 16.3 ]	.98 [ 24.9 ]	.46 [ 11.7 ]	.67 [ 17.0 ]	.70 [ 17.7 ]
15	1.56 [ 39.6 ]	.97 [ 25.6 ]	1.31 [ 33.3 ]	.76 [ 19.3 ]	.99 [ 25.2 ]	1.03 [ 26.2 ]
25	2.10 [ 53.3 ]	1.51 [ 38.4 ]	1.85 [ 47.0 ]	1.27 [ 32.3 ]	1.54 [ 39.1 ]	1.57 [ 39.9 ]
37	2.74 [ 69.6 ]	2.16 [ 54.9 ]	2.50 [ 63.5 ]	1.87 [ 47.5 ]	2.19 [ 55.6 ]	2.22 [ 56.4 ]



Note: Preassembled closed cover on Pin 1 side of connector.



Inch  
[mm]

Tolerance Unless Noted			
	.0	.00	.000
Inch	± .1	± .01	± .005

[ ] Dimensions for Reference only

### Ordering Information

#### Connector 83XX-X00X

Contact Quantity

- Cover Style:  
 6 = Open Cover  
 7 = Closed Cover  
 8 = Open Cover, w/o Adhesive, Preassembled  
 9 = Closed Cover, w/o Adhesive, Preassembled

- Mounting Style:  
 0 = ∅ .120 [ 3.05 ]  
 3 = 4-40 UNC  
 4 = M3

#### Strain Relief (Order Separately) 3448-8DXXA

- 09 = 9 Position  
 15 = 15 Position  
 25 = 25 Position  
 37 = 37 Position

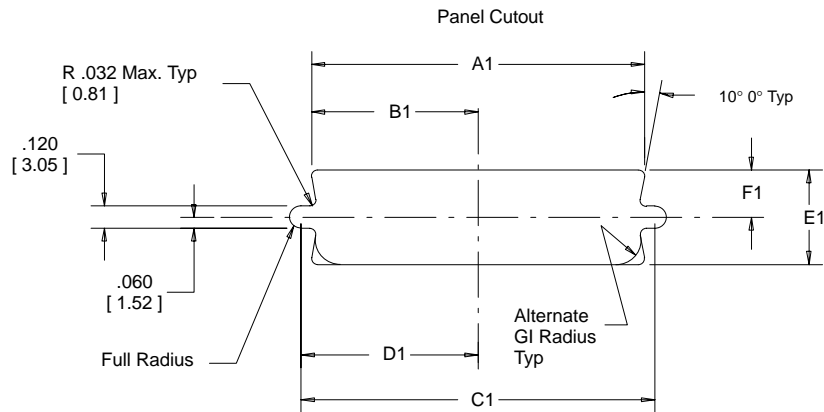
TS-0235-17  
Sheet 2 of 3

# D Sub Socket Connector

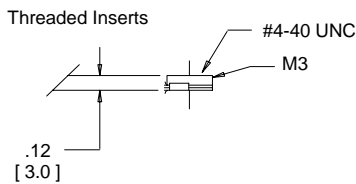
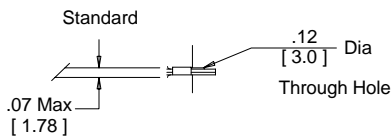
8300 Series

Mounting Method*	Contact Quantity	Dimensions						
		A1	B1	C1	D1	E1	F1	G1
Front	9	.87 [ 22.0 ]	.44 [ 11.2 ]	.98 [ 24.9 ]	.49 [ 12.5 ]	.51 [ 13.0 ]	.26 [ 6.6 ]	.12 [ 3.1 ]
	15	1.20 [ 30.5 ]	.60 [ 15.2 ]	1.31 [ 33.3 ]	.66 [ 16.8 ]			
	25	1.74 [ 44.2 ]	.87 [ 22.1 ]	1.85 [ 47.0 ]	.93 [ 23.6 ]			
	37	2.39 [ 60.7 ]	1.20 [ 30.5 ]	2.50 [ 63.5 ]	1.25 [ 31.8 ]			
Rear	9	0.81 [ 20.6 ]	.40 [ 10.2 ]	.98 [ 25.0 ]	.49 [ 12.5 ]	0.45 [ 11.4 ]	0.22 [ 5.8 ]	.12 [ 3.1 ]
	15	1.13 [ 28.7 ]	.57 [ 14.5 ]	1.31 [ 33.3 ]	.66 [ 16.8 ]			
	25	1.67 [ 42.4 ]	.84 [ 21.3 ]	1.85 [ 47.0 ]	.93 [ 23.6 ]			
	37	2.33 [ 59.2 ]	1.16 [ 29.5 ]	2.50 [ 63.5 ]	1.25 [ 31.8 ]			

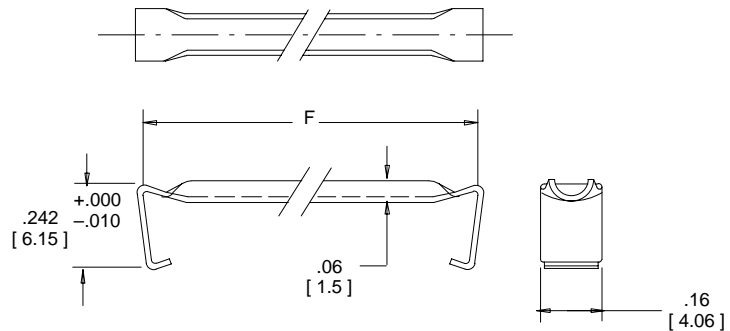
\* Front Mount—The connector is mounted in front of the panel.  
Rear Mount—The connector is mounted behind the panel.



### Mounting Styles



### Strain Relief (Order Separately or with Connector)



TS-0235-17  
Sheet 3 of 3

## 3M Interconnect Solutions Division

6801 River Place Blvd.  
Austin, TX 78726-9000

For technical, sales or ordering information call  
**800-225-5373**

# 3M™ D Sub EMI Junction Shell

Metalized Plastic



- Protection from EMI/ESD
- Easy assembly reduces time and labor for low cost
- Light weight and a compact design
- Strain Relief compensates for multiple cable diameters
- Jack screws provide positive retention
- RoHS\* compliant

Date Modified: January 15, 2007

TS-2132-02  
Sheet 1 of 3

---

## Physical

### Shell and Hardware

Shell Material: ABS

Shell Plating: Nickel Over Copper

Hardware: (2) Jackscrews #4-40 × .438"

(2) Saddle Washers #4

(2) Nuts #4-40

(2) Screws #4-40 × .450"

Material: Steel

Plating: Bright Zinc

### Compression Insert:

Material: Thermo Plastic Elastomer

Flammability: UL 94HB

Durometer: 75 + / -5

Mounting Hardware: See Specification Sheet TS-0142

---

## Environmental

Temperature Rating: 0°C to +75°C

"RoHS compliant" means that the product or part does not contain any of the following substances in excess of the following maximum concentration values in any homogeneous material, unless the substance is in an application that is exempt under RoHS: (a) 0.1% (by weight) for lead, mercury, hexavalent chromium, polybrominated biphenyls or polybrominated diphenyl ethers; or (b) 0.01% (by weight) for cadmium. Unless otherwise stated by 3M in writing, this information represents 3M's knowledge and belief based upon information provided by third party suppliers to 3M.

# 3M™ D Sub EMI Junction Shell

Metalized Plastic

Inch [mm]			
Tolerance Unless Noted			
	.0	.00	.000
inch	±.1	±.01	±.005

[ ] Dimensions for Reference Only

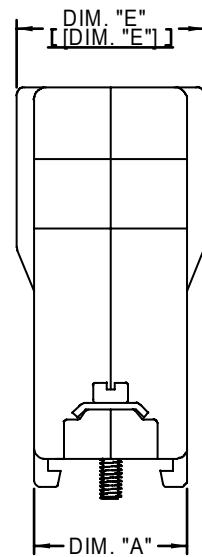
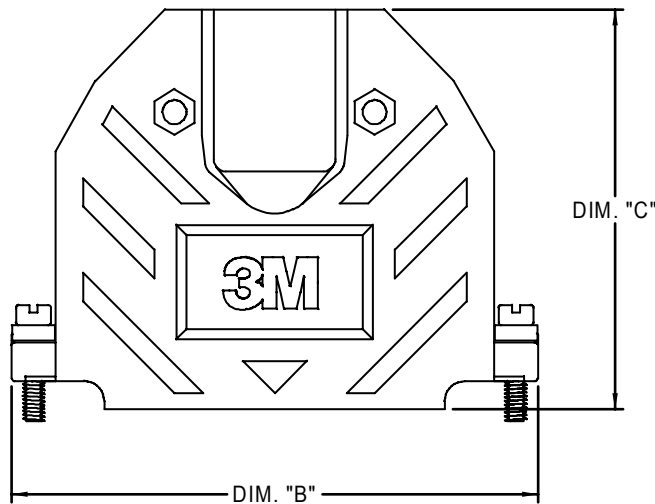
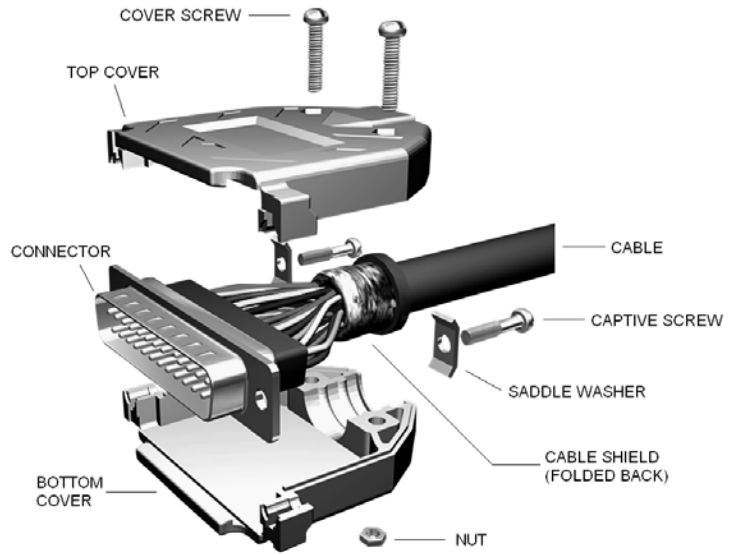
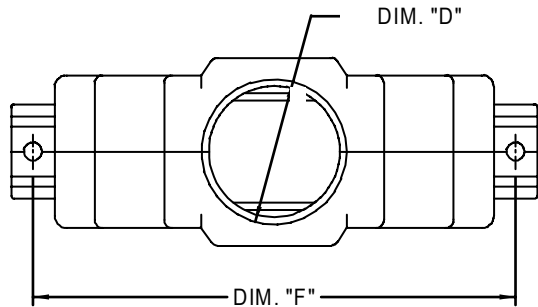


Table 1 - Junction Shell

3M Part Number	Dimensions						Cable O.D. Range	
	Dim. "A"	Dim. "B"	Dim. "C"	Dim. "D"	Dim. "E"	Dim. "F"	Min	Max*
3357-6209-1C	.640 [16.26]	1.217 [30.91]	1.692 [42.98]	.400 [10.16]	N/A	.984 [24.99]	0.19 [4.8]	0.35 [8.9]
3357-6215-1C		1.540 [39.12]	1.650 [41.91]	.400 [10.06]	N/A	1.312 [33.32]	0.19 [4.8]	0.35 [8.9]
3357-6225-1C		2.090 [53.08]	1.800 [45.72]	.522 [13.26]	.710 [18.03]	1.857 [47.17]	0.19 [4.8]	0.46 [11.7]
3357-6237-1C		2.734 [69.44]	1.975 [50.17]	.726 [18.44]	.906 [23.01]	2.500 [63.50]	0.30 [7.6]	0.68 [17.27]
3357-6250-1C		.770 [19.56]	2.645 [67.18]	2.000 [50.80]	.726 [18.44]	.940 [23.88]	2.406 [61.11]	0.30 [7.6]

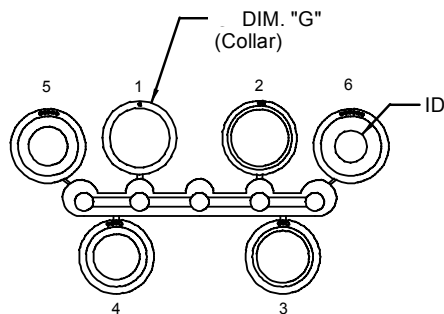
Note: \*These numbers will vary depending upon the compressibility of the wire.

**Backshell Dimension Table**  
**Table 1**

TS-2132-02  
Sheet 2 of 3

# 3M™ D Sub EMI Junction Shell

Metalized Plastic



**Elastomeric Backshell Inserts  
Figure 1**

**Table 2 - Compression Inserts**

Insert For	Dimensions												G
	1		2		3		4		5		6		
	OD	ID	OD	ID	OD	ID	OD	ID	OD	ID	OD	ID	
3357-6209	0.475 [ 12.07 ]	0.320 [ 8.13 ]	0.360 [ 9.14 ]	0.315 [ 8.00 ]	0.360 [ 9.14 ]	0.285 [ 7.24 ]	0.360 [ 9.14 ]	0.255 [ 6.48 ]	0.360 [ 9.14 ]	0.210 [ 5.33 ]	N/A	N/A	0.475 [ 12.07 ]
3357-6215	0.600 [ 15.24 ]	0.450 [ 11.43 ]	0.450 [ 11.43 ]	0.410 [ 10.41 ]	0.450 [ 11.43 ]	0.370 [ 9.40 ]	0.450 [ 11.43 ]	0.300 [ 7.62 ]	0.450 [ 11.43 ]	0.230 [ 5.84 ]	N/A	N/A	0.600 [ 15.24 ]
3357-6225	0.655 [ 16.64 ]	0.650 [ 16.51 ]	0.700 [ 17.78 ]	0.620 [ 15.75 ]	0.810 [ 20.57 ]	0.570 [ 14.48 ]	0.655 [ 16.64 ]	0.500 [ 12.70 ]	0.655 [ 16.64 ]	0.425 [ 10.80 ]	0.655 [ 16.64 ]	0.350 [ 8.89 ]	0.810 [ 20.57 ]
3357-6237	0.810 [ 20.57 ]	0.650 [ 16.51 ]	0.700 [ 17.78 ]	0.620 [ 15.75 ]	0.655 [ 16.64 ]	0.570 [ 14.48 ]	0.655 [ 16.64 ]	0.500 [ 12.70 ]	0.655 [ 16.64 ]	0.425 [ 10.80 ]	0.655 [ 16.64 ]	0.350 [ 8.89 ]	0.810 [ 20.57 ]

**Cable Insert Dimension Table  
Table 2**

## Ordering Information

**3357-62XX-1C**

Backshell Size  
09 = 9 Pin  
15 = 15 Pin  
25 = 25 Pin  
37 = 37 Pin  
50 = 50 Pin

TS-2132-02  
Sheet 3 of 3



## Important Notice

All statements, technical information, and recommendations related to 3M's products are based on information believed to be reliable, but the accuracy or completeness is not guaranteed. Before using this product, you must evaluate it and determine if it is suitable for your intended application. You assume all risks and liability associated with such use. Any statements related to the product which are not contained in 3M's current publications, or any contrary statements contained on your purchase order shall have no force or effect unless expressly agreed upon, in writing, by an authorized officer of 3M.



### 3M Electronics

6801 River Place Blvd.  
Austin, TX 78726-9000  
800/225-5373  
[www.3M.com/electronics](http://www.3M.com/electronics)

## Warranty; Limited Remedy; Limited Liability.

This product will be free from defects in material and manufacture for a period of one (1) year from the time of purchase. **3M MAKES NO OTHER WARRANTIES INCLUDING, BUT NOT LIMITED TO, ANY IMPLIED WARRANTY OF MERCHANTABILITY OR FITNESS FOR A PARTICULAR PURPOSE.** If this product is defective within the warranty period stated above, your exclusive remedy shall be, at 3M's option, to replace or repair the 3M product or refund the purchase price of the 3M product. **Except where prohibited by law, 3M will not be liable for any indirect, special, incidental or consequential loss or damage arising from this 3M product, regardless of the legal theory asserted.**



Minimum 10%  
Post-Consumer Fiber

Printed in USA.

© 3M 2007

# .050" Round, Shielded/Jacketed, Flat Cable

28 AWG Stranded, Mass-Term, PVC/PVC

3659 Series



- Round construction permits easier routing
- 28 AWG wire on .050 inch pitch permits mass termination to broad line of IDC connectors
- Continuous split/bond repeat allows for mass termination on 2.4 inch centers (approximate)
- Primary cable is zippable for branching or discrete terminations
- Meets external wiring requirements of National Electrical Code, Article 725 (CL2)
- UL listed for USA and Canadian markets
- Dual shielding provides 35 db average shielding effectiveness

Date Modified: July 29, 1999

TS-0083-14  
Sheet 1 of 2

34

## Physical

### Jacket

Material: Polyvinyl Chloride (PVC)

Color: Black

**Primary Material:** PVC

Color: Gray

### Marking

Standard: (UL) CL2 75C 28 AWG or AWM 20267 3M NU  AWM IIA/B 80C 300V FT1  
EU <50V

**Conductors:** 28 AWG 7 × 36 [ 7 × 0.127 ] Tinned Stranded Copper

**Shielding:** .001 [ 0.03 ] Thick Aluminum/Polyester Film Foil and 90% Coverage Tinned Copper Braid

## Electrical

**Voltage Rating:** USA: N.E.C. 725, CL2 or AWM; 300V      Canada: 300V      EU: <50V

**Insulation Resistance:**  $> 1 \times 10^{10} \Omega/10 \text{ ft. [ 3m ]}$

	Unbalanced	Balanced
<b>Characteristic Impedance</b>	62 $\Omega$	106 $\Omega$
<b>Capacitance</b>	27.7 pF/ft. [ 90.88 pF/m ]	15.2 pF/ft. [ 49.9 pF/m ]
<b>Inductance</b>	.13 $\mu\text{H}/\text{ft. [ 0.43 } \mu\text{H/m ]}$	.20 $\mu\text{H}/\text{ft. [ 0.66 } \mu\text{H/m ]}$
<b>Propagation Delay</b>	1.72 ns/ft. [ 5.64 ns/m ]	1.62 ns/ft. [ 5.32 ns/m ]
<b>Velocity of Propagation</b>	59%	62%

Note: Unbalanced is measured between ground-signal-ground conductors with shield grounded. Balanced is measured between signal conductors within a pair, with the shield floating.

## Environmental

**Temperature Rating:** USA: CL2; 75°C Max or AWM; -20°C to +80°C      Canada: 80°C

**Flammability Rating:** USA: N.E.C. 725, CL2      Canada: FTI

UL File No.: E118773, Power Limited Circuit Cable: CL2 (or AWM Style 20267)

### 3M Interconnect Solutions Division

6801 River Place Blvd.  
Austin, TX 78726-9000

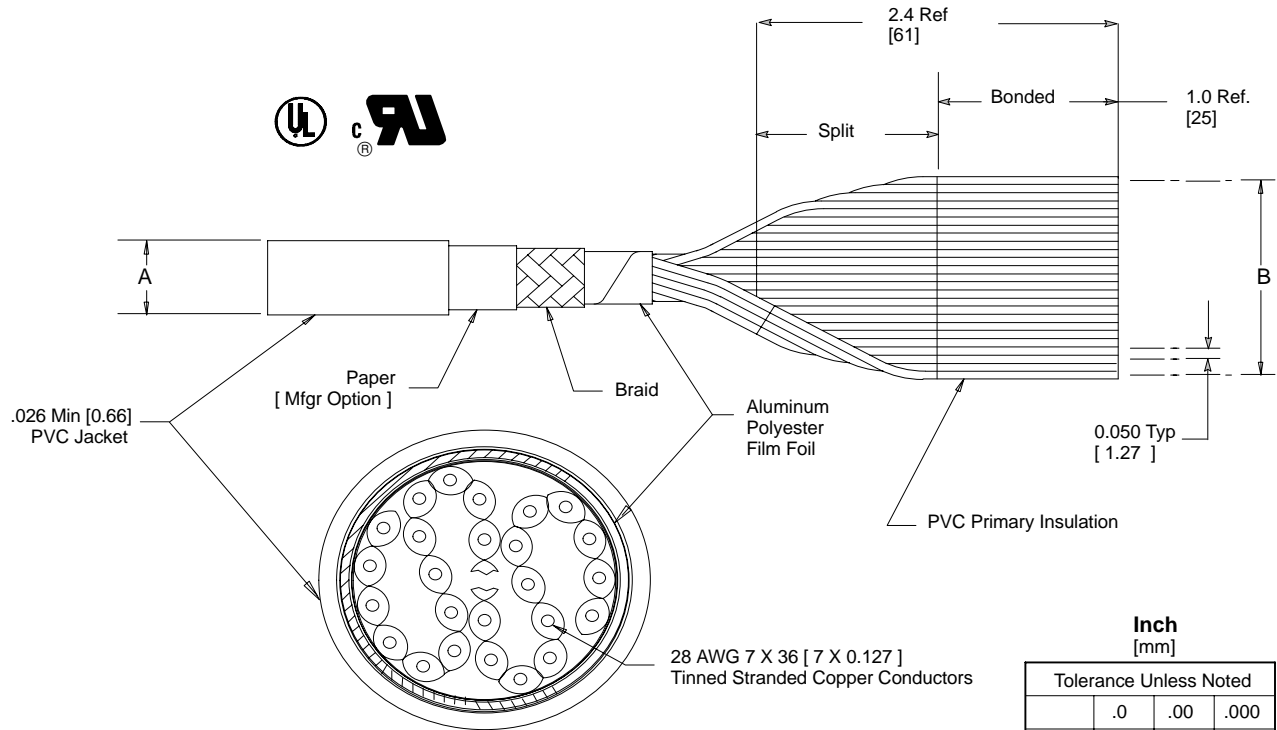
For technical, sales or ordering information call  
**800-225-5373**

# .050" Round, Shielded/Jacket, Flat Cable

## 28 AWG Stranded, Mass-Term, PVC/PVC

3659 Series

Number of Conductors	3M Part Number	Dimension A ± .03	Dimension B Ref (See Note 2)
09	3659/09	0.27 [ 6.9 ]	0.40 [ 10.2 ]
10	3659/10	0.27 [ 6.9 ]	0.45 [ 11.4 ]
14	3659/14	0.31 [ 7.9 ]	0.65 [ 16.5 ]
15	3659/15	0.31 [ 7.9 ]	0.70 [ 17.8 ]
16	3659/16	0.31 [ 7.9 ]	0.75 [ 19.1 ]
20	3659/20	0.34 [ 8.6 ]	0.95 [ 24.1 ]
24	3659/24	0.37 [ 9.4 ]	1.15 [ 29.2 ]
25	3659/25	0.37 [ 9.4 ]	1.20 [ 30.5 ]
26	3659/26	0.37 [ 9.4 ]	1.25 [ 31.8 ]
34	3659/34	0.41 [ 10.4 ]	1.65 [ 41.9 ]
36	3659/36	0.43 [ 10.9 ]	1.75 [ 44.5 ]
37	3659/37	0.43 [ 10.9 ]	1.80 [ 45.7 ]
40	3659/40	0.43 [ 10.9 ]	1.95 [ 49.5 ]
50	3659/50	0.48 [ 12.2 ]	2.45 [ 62.2 ]
60	3659/60	0.51 [ 13.0 ]	2.95 [ 74.9 ]
64	3659/64	0.54 [ 13.7 ]	3.15 [ 80.0 ]



Inch [mm]			
Tolerance Unless Noted			
	.0	.00	.000
Inch	± .1	± .05	± .010

[ ] Dimensions for Reference only

**Notes:**

1. Red marking on one edge of primary cable designates wire #1.
2. Dimension B pertains to bonded area only.

### Ordering Information

**3659X/XX**

Jacket Color Options  
 Blank = "Standard" Black Jacket  
 C = "Special" Cream Jacket  
 G = "Special" Gray Jacket  
 L = "Special" Light Olive Jacket

Number of Conductors  
 (See Table)

Note: Available in standard length of 100 or 300 ft/roll, please specify when ordering.

TS-0083-14  
 Sheet 2 of 2

### 3M Interconnect Solutions Division

6801 River Place Blvd.  
 Austin, TX 78726-9000

For technical, sales or ordering information call  
**800-225-5373**