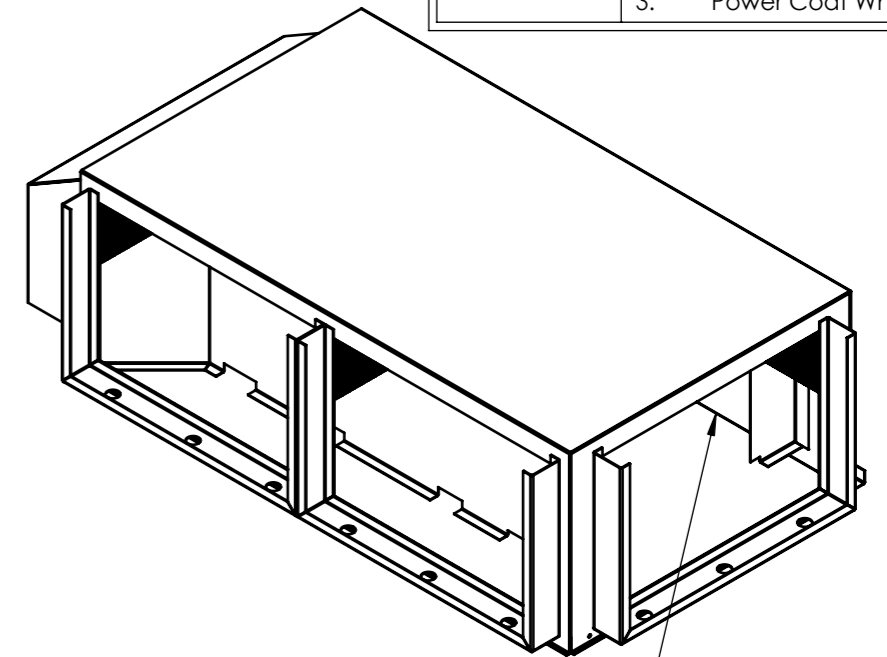
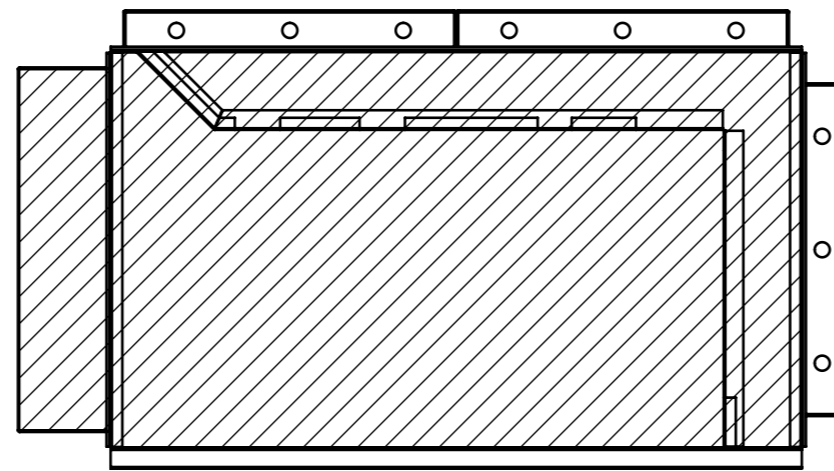
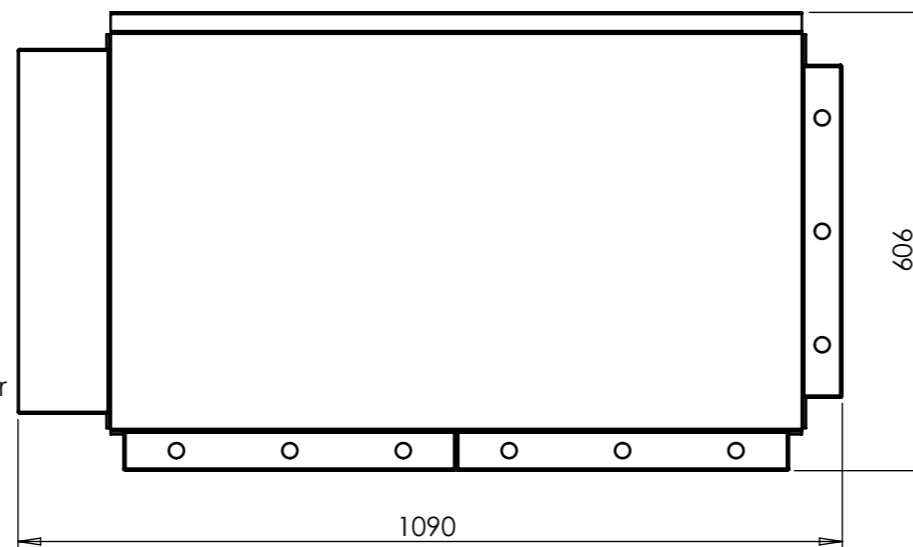
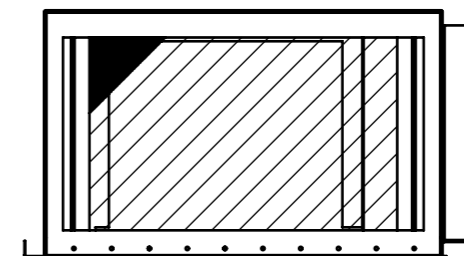
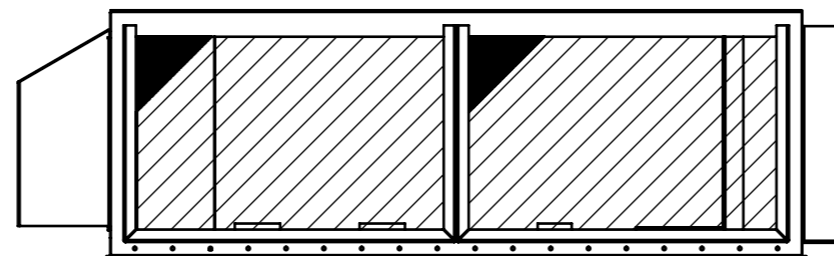
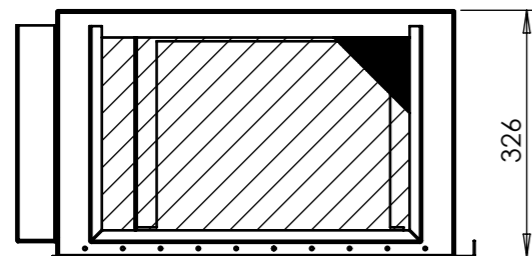


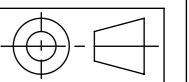
SPECIFICATIONS	
UNITS	MILLIMETERS
TOLERANCES	± 0.1 mm UNLESS STATED
MATERIAL	1mm Steel Zinc Seal
FINISH	1. Phosphate Passivated 2. Mask Where Indicated 3. Power Coat White




Mask 15mm around inside edge to prevent overspray.

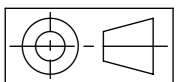
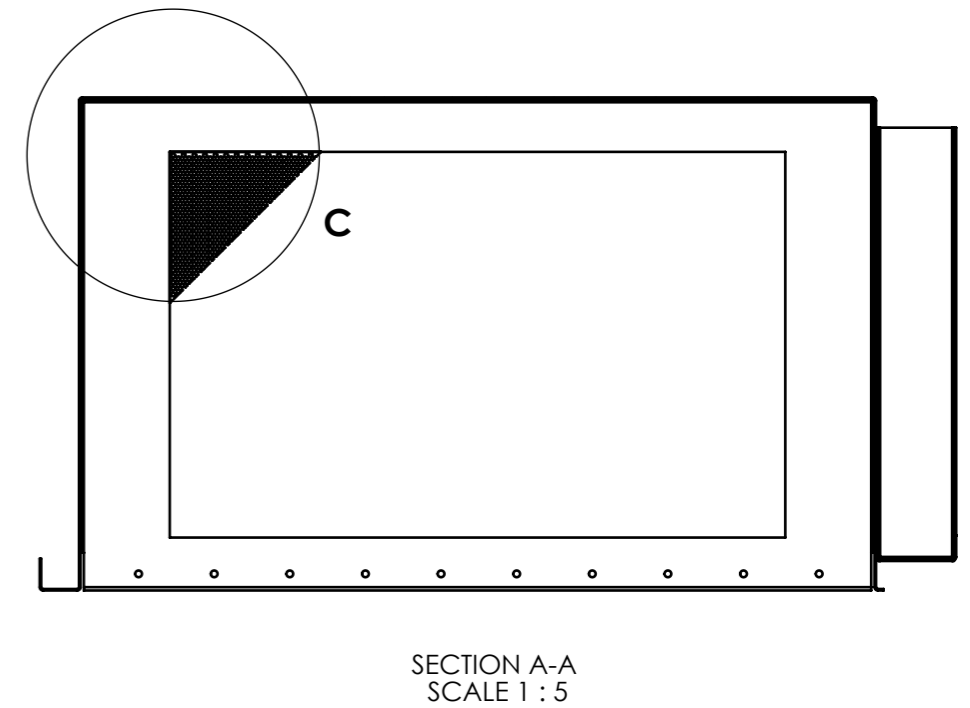
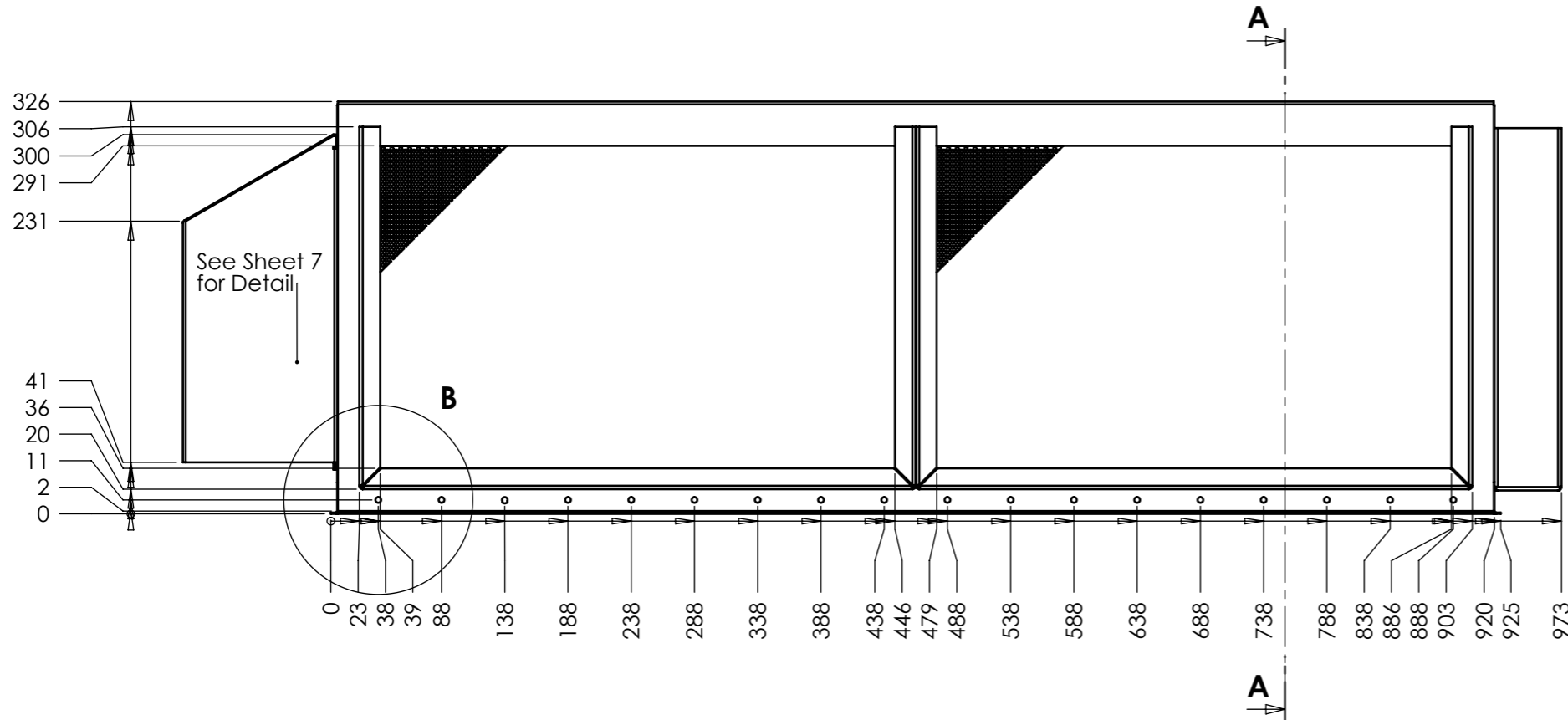
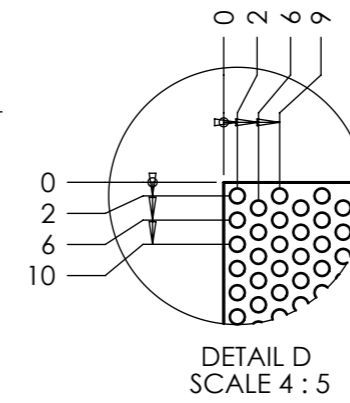
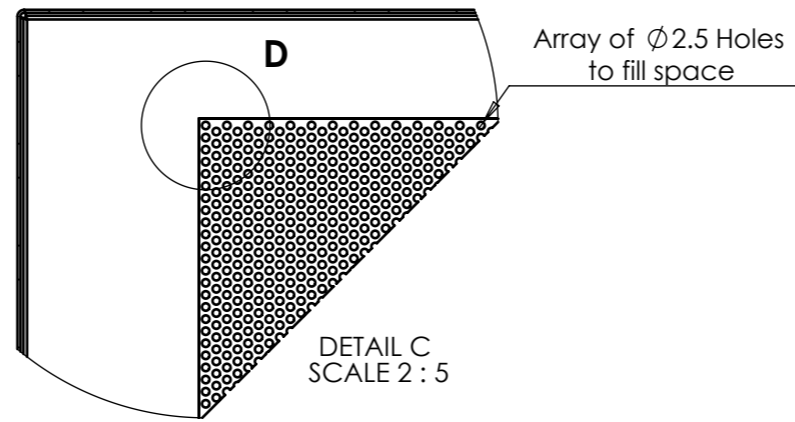
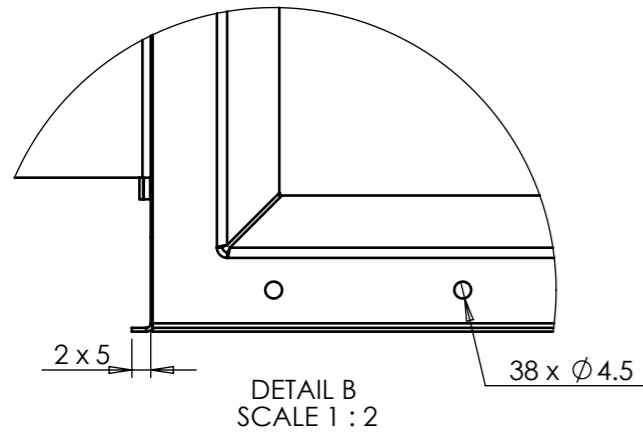



NOTE:
1. Inside of enclosure not power coated - prevent overspray on interior
2. Suggested Masking indicated by crosshatch.



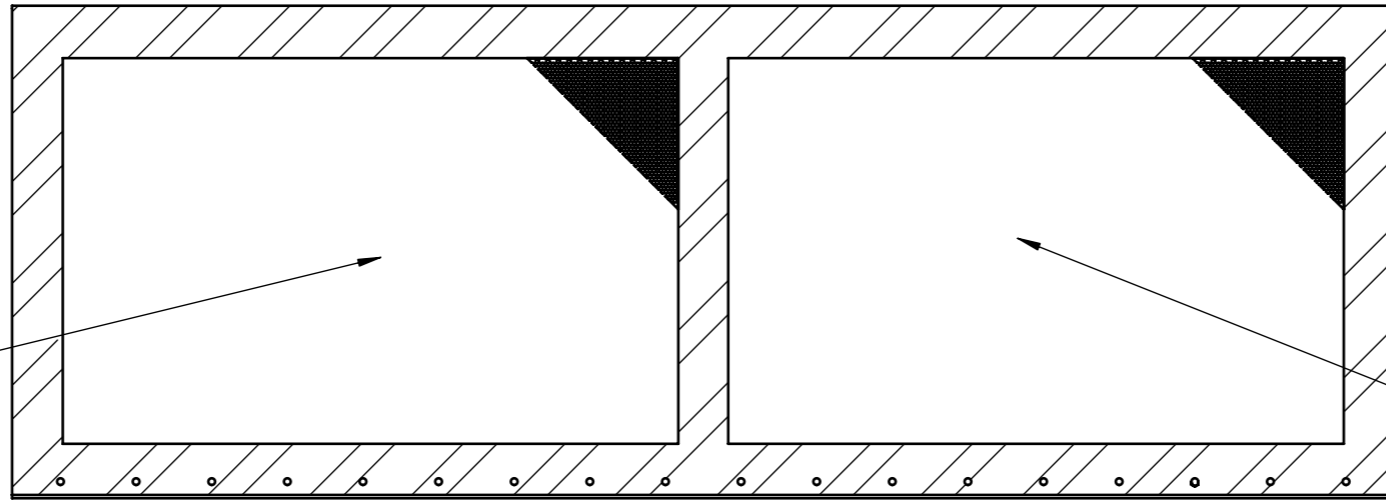
 POSEIDON SCIENTIFIC INSTRUMENTS <small>17 QUEEN VICTORIA ST, FREMANTLE WA 6160 PH: (08) 9430 6639 FAX (08) 9335 4650</small>			
DRAWING NAME			
Air Conditioner Cover Sheet Metal			
SIZE	DRAWN BY	DRAWING FILENAME.	
A3	C.Coleman	MWAM004 Air Conditioner Cover Sheet Metal.SLDDRW	
SCALE	DATE	COMPONENT NAME	REV
1:20	5/01/2010	MWAM004 Air Conditioner Cover.SLDPRT	A
SHEET			
1 of 7			

SPECIFICATIONS	
UNITS	MILLIMETERS
TOLERANCES	± 0.1 mm UNLESS STATED
MATERIAL	1mm Steel Zinc Seal
FINISH	1. Phosphate Passivated 2. Mask Where Indicated 3. Power Coat White



 POSEIDON SCIENTIFIC INSTRUMENTS <small>17 QUEEN VICTORIA ST, FREMANTLE WA 6160 PH: (08) 9430 6639 FAX (08) 9335 4650</small>			
DRAWING NAME Air Conditioner Cover Sheet Metal			
SIZE A3	DRAWN BY C.Coleman	DRAWING FILENAME. MWAM004 Air Conditioner Cover Sheet Metal.SLDDRW	
SCALE 1:10	DATE 5/01/2010	COMPONENT NAME MWAM004 Air Conditioner Cover.SLDPRT	REV A
SHEET 2 of 7			

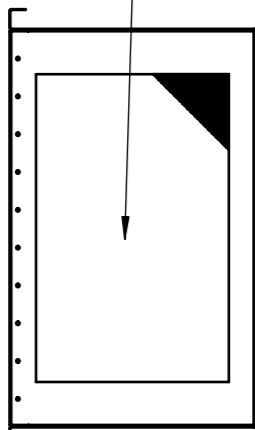
SPECIFICATIONS	
UNITS	MILLIMETERS
TOLERANCES	± 0.1 mm UNLESS STATED
MATERIAL	1mm Steel Zinc Seal
FINISH	1. Phosphate Passivated 2. Mask Where Indicated 3. Power Coat White



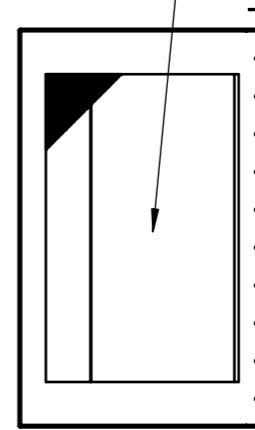
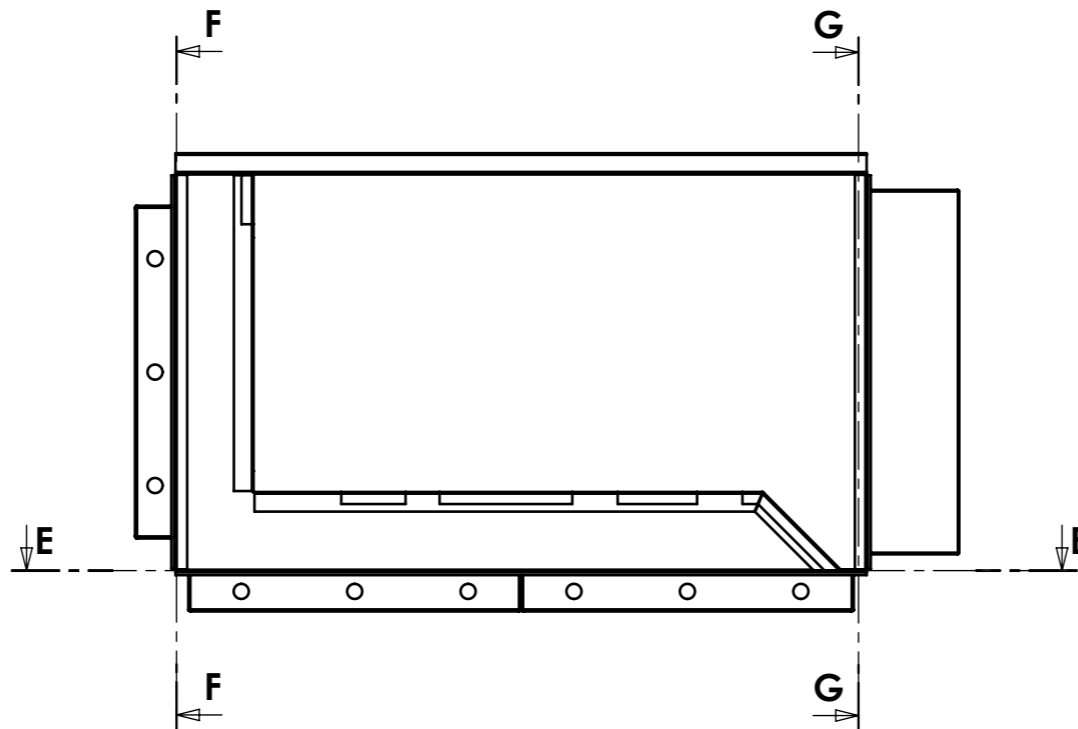
SECTION E-E
SCALE 1 : 5

Array of $\varnothing 2.5\text{mm}$ Holes
to fill space, Detailed on
Sheet 2

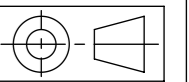
Array of $\varnothing 2.5\text{mm}$ Holes
to fill space, Detailed on
Sheet 2




SECTION F-F

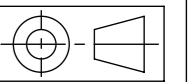
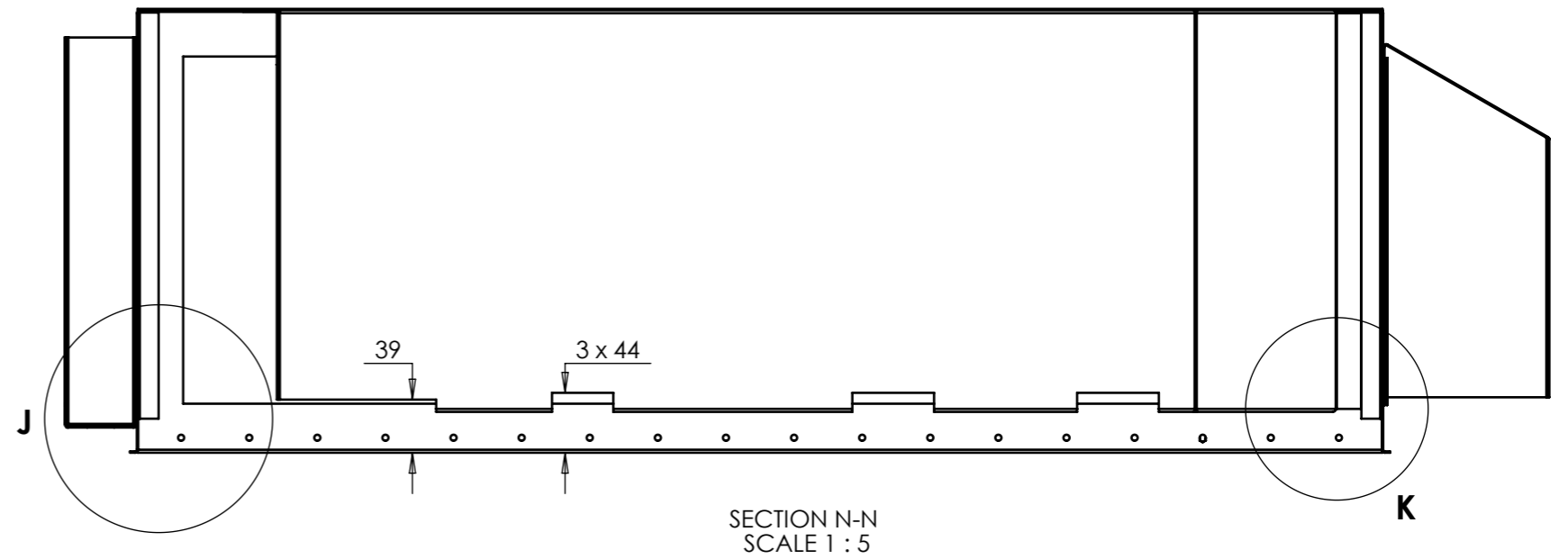
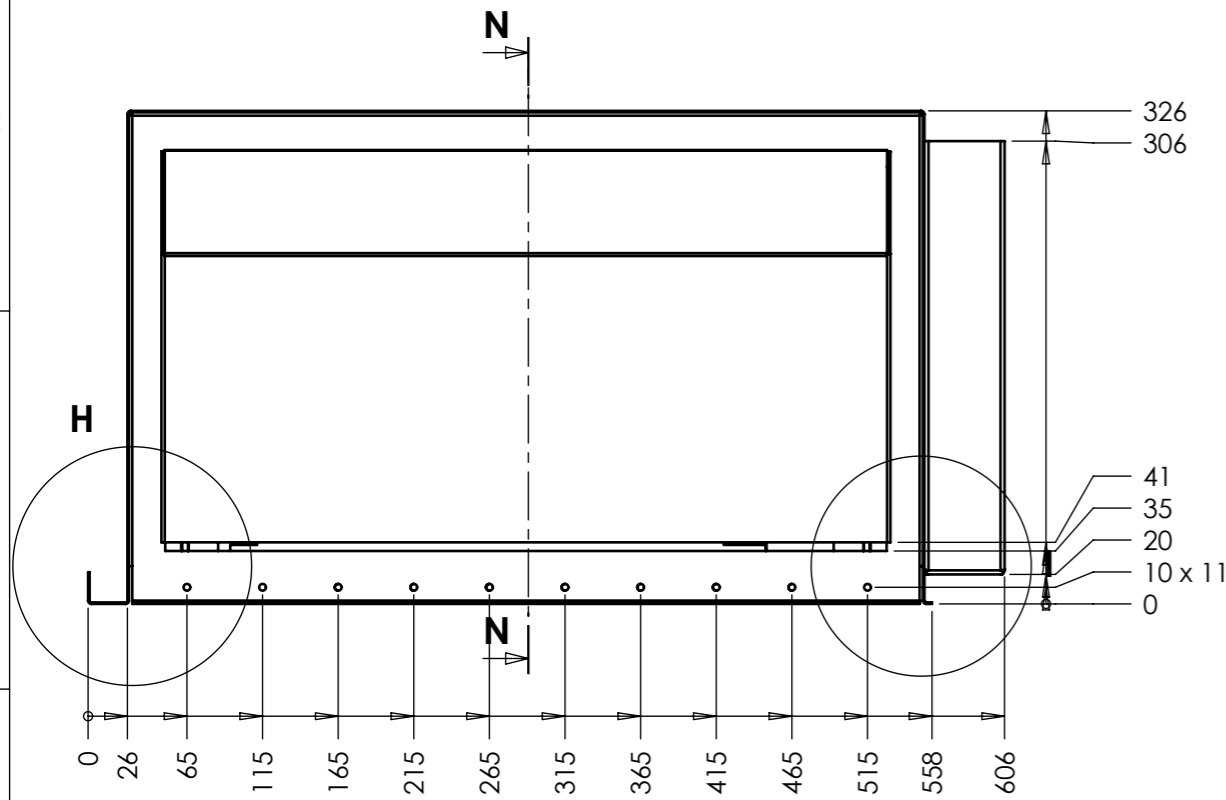
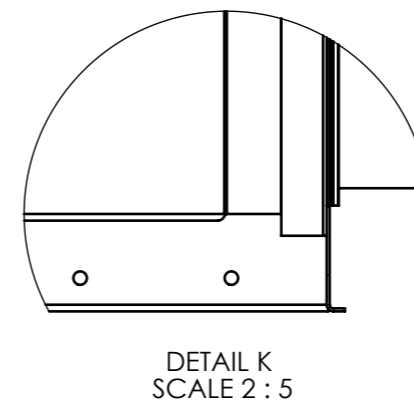
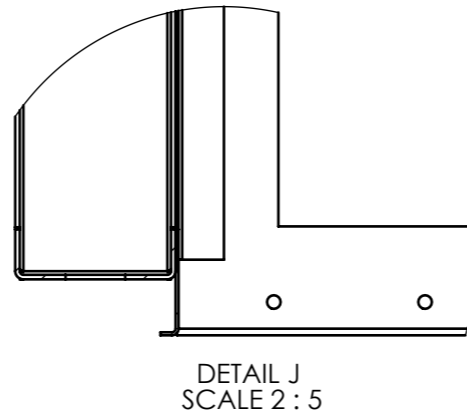
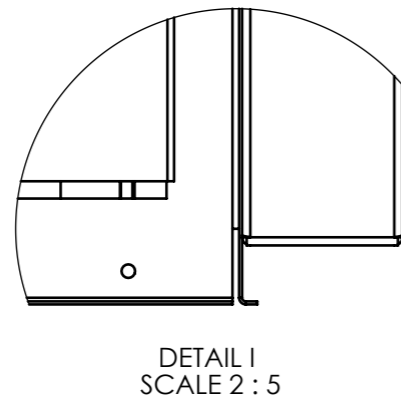
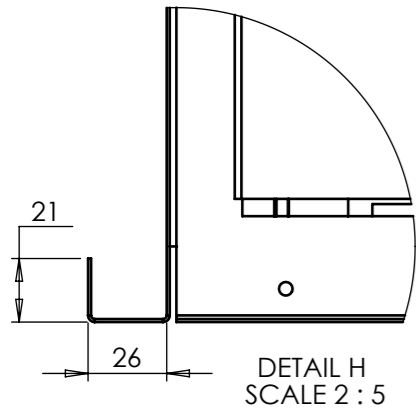



SECTION G-G



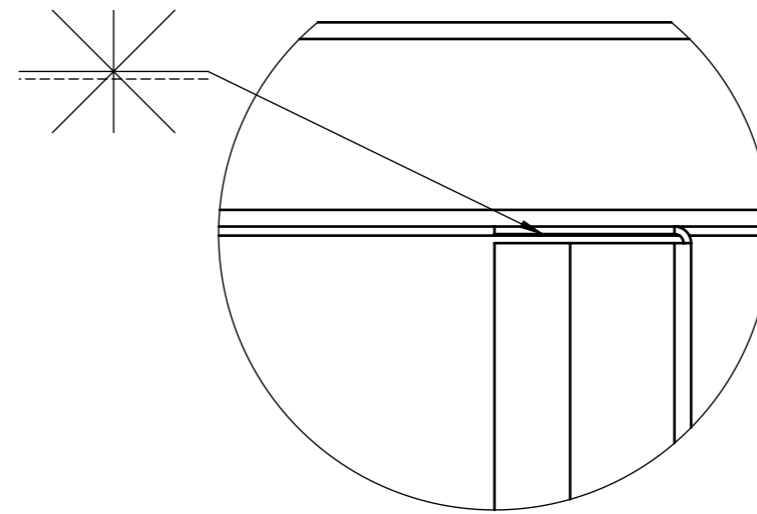
 POSEIDON SCIENTIFIC INSTRUMENTS <small>17 QUEEN VICTORIA ST, FREMANTLE WA 6160 PH: (08) 9430 6639 FAX (08) 9335 4650</small>			
DRAWING NAME			
Air Conditioner Cover Sheet Metal			
SIZE	DRAWN BY	DRAWING FILENAME.	
A3	C.Coleman	MWAM004 Air Conditioner Cover Sheet Metal.SLDDRW	
SCALE	DATE	COMPONENT NAME	REV
1:10	5/01/2010	MWAM004 Air Conditioner Cover.SLDPRT	A
SHEET			
3 of 7			

SPECIFICATIONS	
UNITS	MILLIMETERS
TOLERANCES	± 0.1 mm UNLESS STATED
MATERIAL	1mm Steel Zinc Seal
FINISH	1. Phosphate Passivated 2. Mask Where Indicated 3. Power Coat White

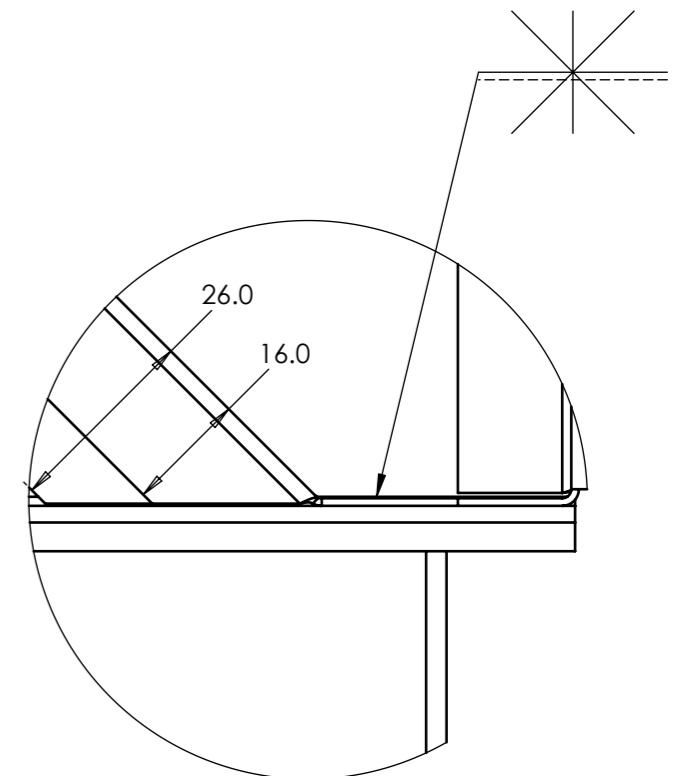


 POSEIDON SCIENTIFIC INSTRUMENTS <small>17 QUEEN VICTORIA ST, FREMANTLE WA 6160 PH: (08) 9430 6639 FAX (08) 9335 4650</small>			
DRAWING NAME			
Air Conditioner Cover Sheet Metal			
SIZE	DRAWN BY	DRAWING FILENAME.	
A3	C.Coleman	MWAM004 Air Conditioner Cover Sheet Metal.SLDDRW	
SCALE	DATE	COMPONENT NAME	REV
1:10	5/01/2010	MWAM004 Air Conditioner Cover.SLDPRT	A
SHEET			
4 of 7			

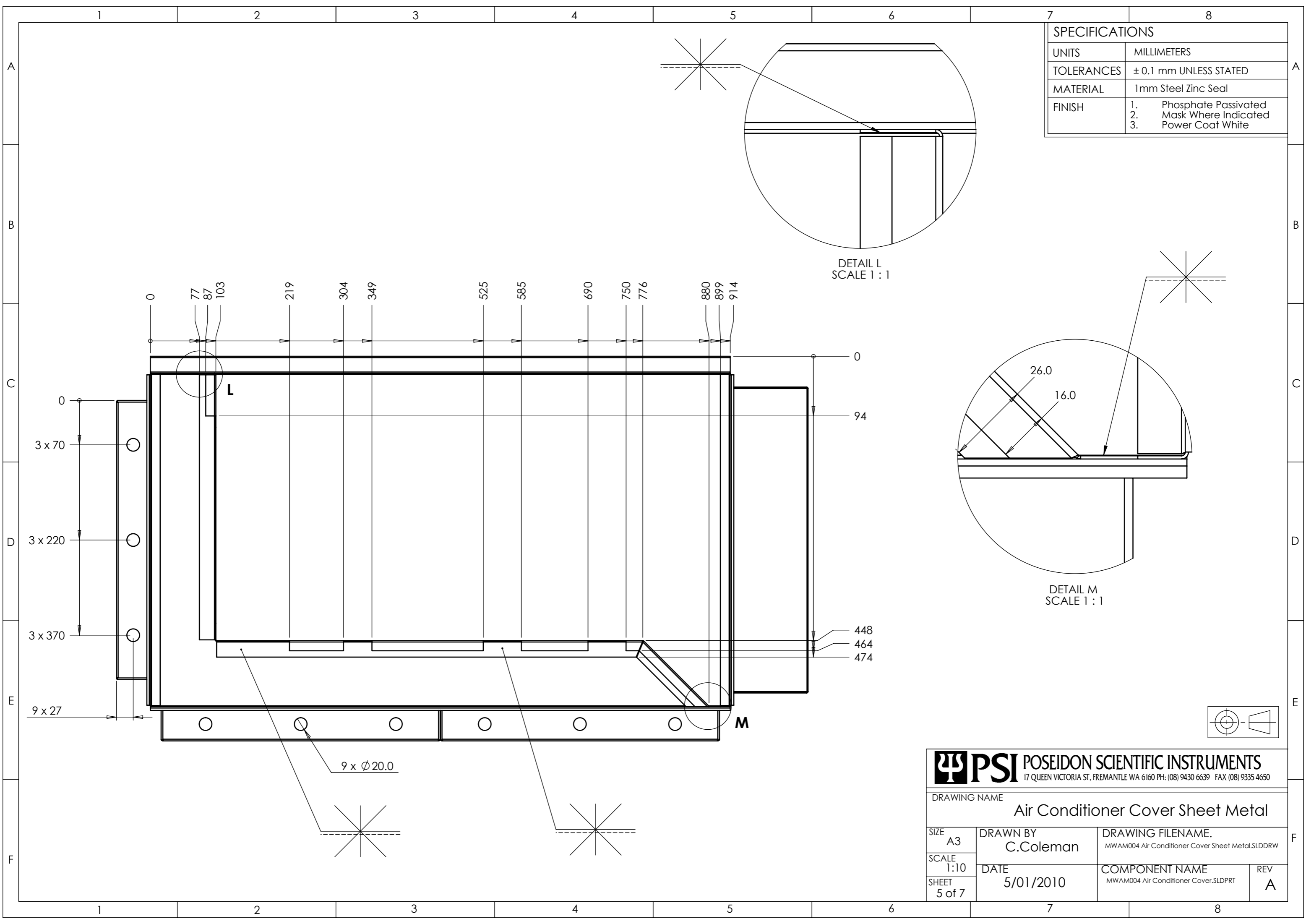
SPECIFICATIONS	
UNITS	MILLIMETERS
TOLERANCES	± 0.1 mm UNLESS STATED
MATERIAL	1mm Steel Zinc Seal
FINISH	1. Phosphate Passivated 2. Mask Where Indicated 3. Power Coat White



DETAIL L
SCALE 1 : 1



DETAIL M
SCALE 1 : 1

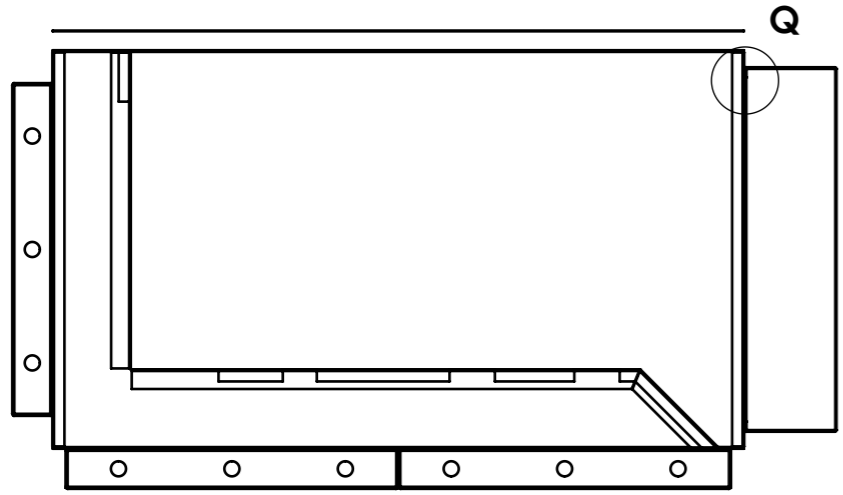


PSI POSEIDON SCIENTIFIC INSTRUMENTS
 17 QUEEN VICTORIA ST, FREMANTLE WA 6160 PH: (08) 9430 6639 FAX (08) 9335 4650

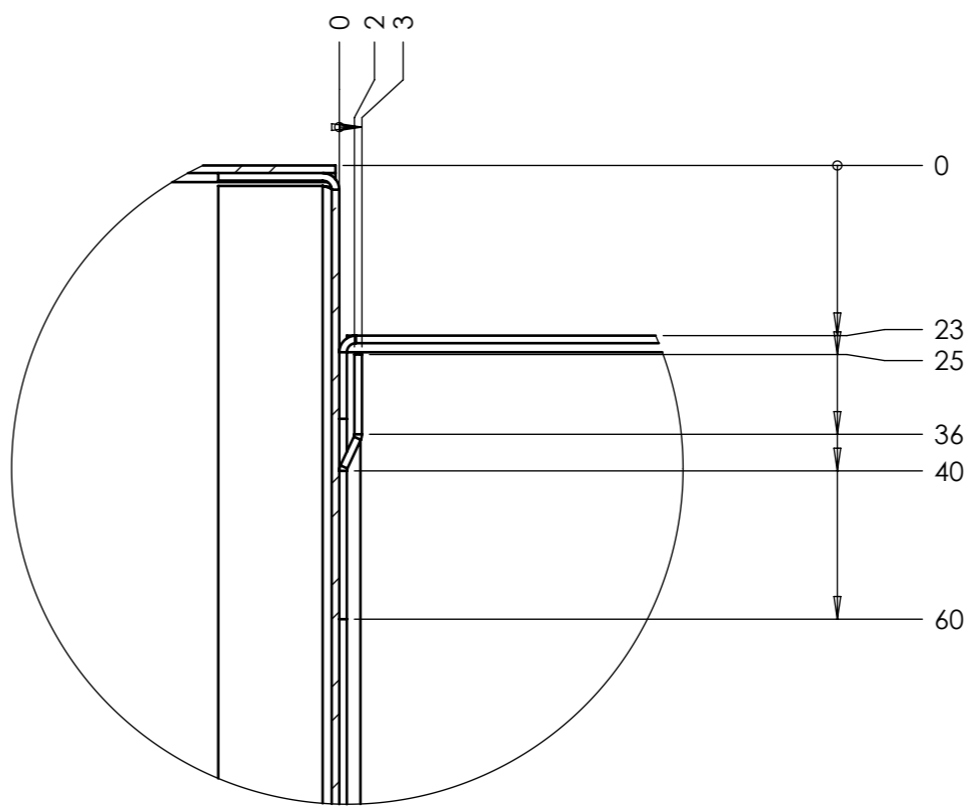
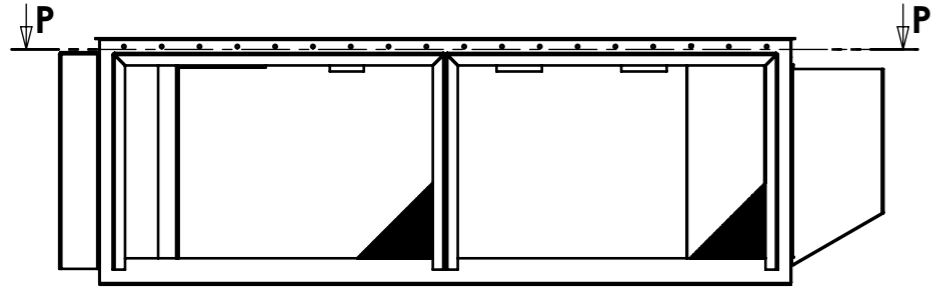
DRAWING NAME: **Air Conditioner Cover Sheet Metal**

SIZE A3	DRAWN BY C.Coleman	DRAWING FILENAME. MWAM004 Air Conditioner Cover Sheet Metal.SLDDRW	
SCALE 1:10	DATE 5/01/2010	COMPONENT NAME MWAM004 Air Conditioner Cover.SLDPRT	REV A
SHEET 5 of 7			

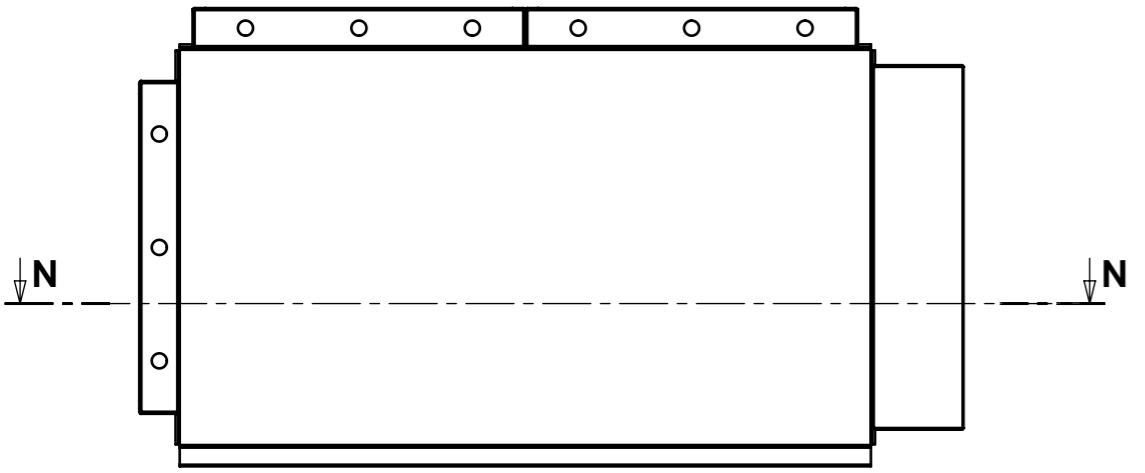
SPECIFICATIONS	
UNITS	MILLIMETERS
TOLERANCES	± 0.1 mm UNLESS STATED
MATERIAL	1mm Steel Zinc Seal
FINISH	1. Phosphate Passivated 2. Mask Where Indicated 3. Power Coat White



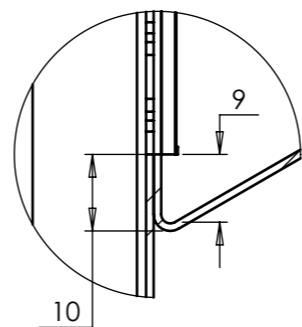
SECTION P-P



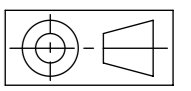
DETAIL Q
SCALE 1 : 1




SECTION N-N

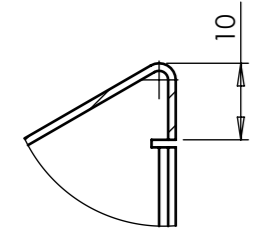
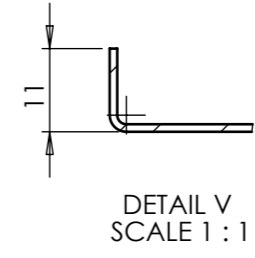
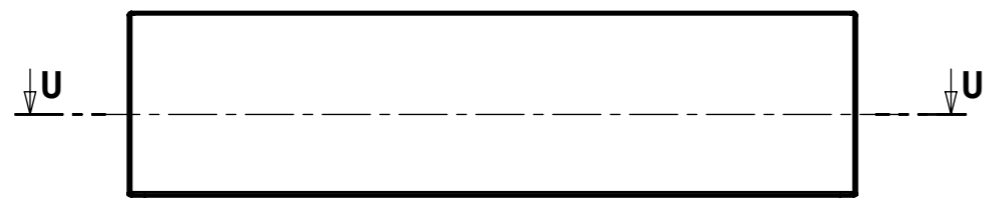
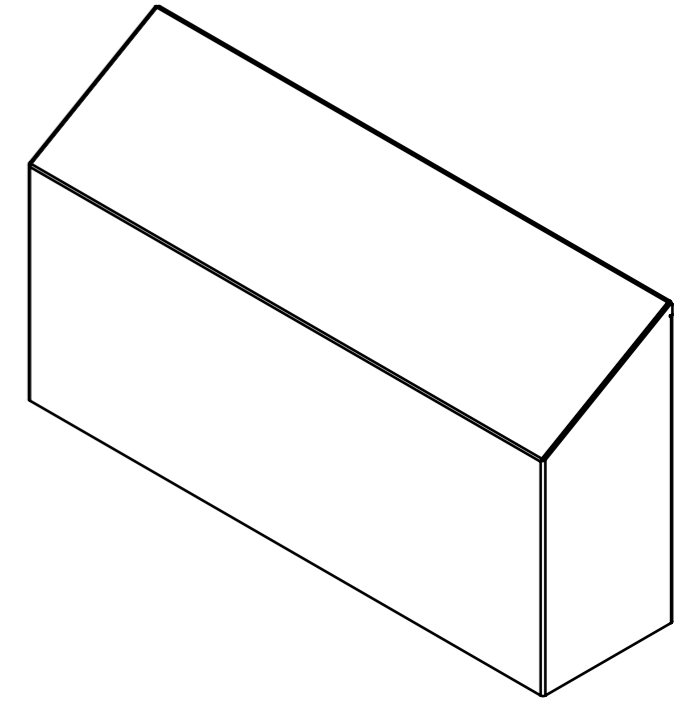
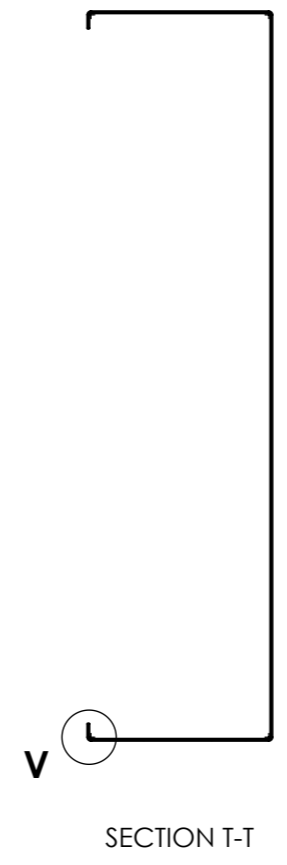
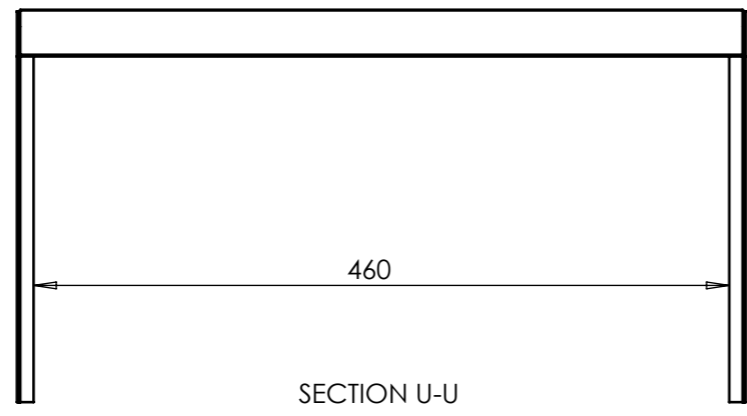


DETAIL O
SCALE 1 : 1

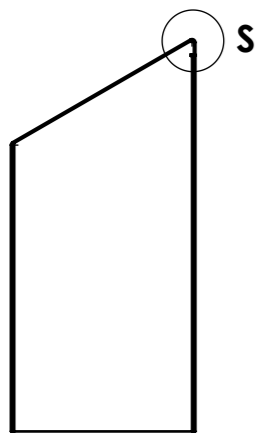


 POSEIDON SCIENTIFIC INSTRUMENTS <small>17 QUEEN VICTORIA ST, FREMANTLE WA 6160 PH: (08) 9430 6639 FAX (08) 9335 4650</small>			
DRAWING NAME			
Air Conditioner Cover Sheet Metal			
SIZE	DRAWN BY	DRAWING FILENAME.	
A3	C.Coleman	MWAM004 Air Conditioner Cover Sheet Metal.SLDDRW	
SCALE	DATE	COMPONENT NAME	REV
1:10	5/01/2010	MWAM004 Air Conditioner Cover.SLDPRT	A
SHEET			
6 of 7			

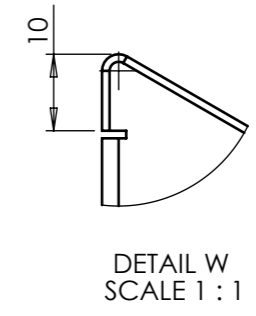
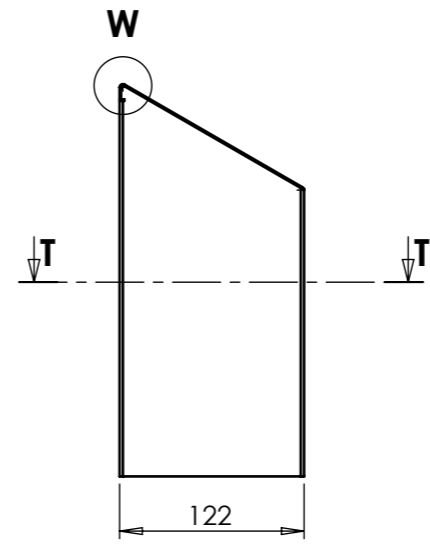
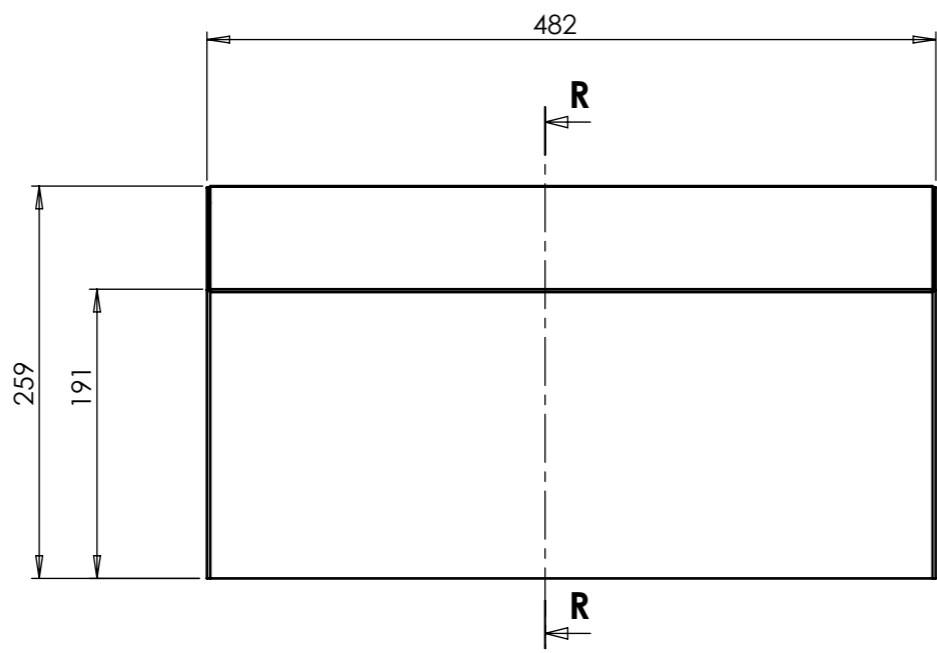
SPECIFICATIONS	
UNITS	MILLIMETERS
TOLERANCES	± 0.1 mm UNLESS STATED
MATERIAL	1mm Steel Zinc Seal
FINISH	1. Phosphate Passivated 2. Mask Where Indicated 3. Power Coat White



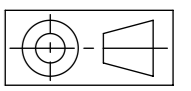
DETAIL S
SCALE 1 : 1




SECTION R-R



DETAIL W
SCALE 1 : 1



Note: This item should slide onto and be removable from the air conditioner cover shown in sheet 1

 POSEIDON SCIENTIFIC INSTRUMENTS <small>17 QUEEN VICTORIA ST, FREMANTLE WA 6160 PH: (08) 9430 6639 FAX (08) 9335 4650</small>			
DRAWING NAME Air Outlet Cover Detail			
SIZE A3	DRAWN BY C.Coleman	DRAWING FILENAME. MWAM004 Air Conditioner Cover Sheet Metal.SLDDRW	
SCALE 1:5	DATE 5/01/2010	COMPONENT NAME MWAM027 Air outlet cover.SLDPRT	REV A
SHEET 7 of 7			