

Range

- Standard range Drop-In units available from 1/2 to 2 HP - R22 & R507/R404A
- Low Profile range Drop-In units available from 1/4 to 1 HP - R22 & R507/R404A

Features

Medium Temperature models:

- Capacities from 1220W to 4100W at +2°C storage temperature
- Approved Range: 2°C to 15°C
- Standard and Low Profile models available
- Dixell electronic control option on standard models
- Off-Cycle defrost

Low Temperature models:

- Capacities from 1220W to 2540W at -15°C storage temperature
- Approved Range: -10°C to -25°C
- Standard and Low Profile models available
- Time-Initiated and Pressure-Terminated defrost control
- Evaporator Fan-Delay control fitted as standard

All models are pre-wired with three pin plug and cable.



Drop-In & Slide-In packaged units



STANDARD DROP-IN & SLIDE-IN RANGE

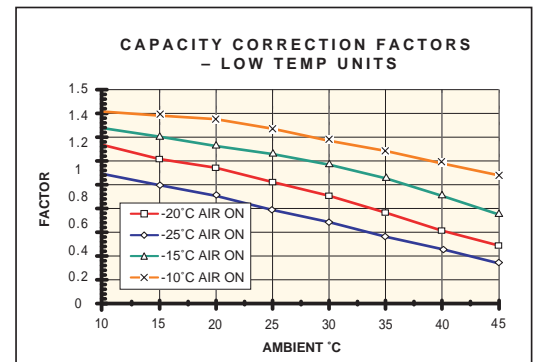
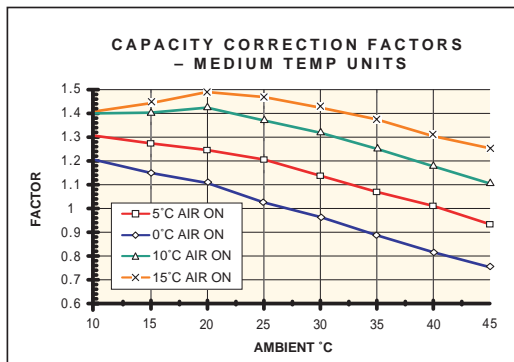
PRODUCT NUMBER	NOMINAL HP	CAPACITY Watts	EVAPO-RATOR TD °K	REFRIG. CHARGE grams	EVAP FAN WATT HRS PER 24 HRS	UNIT DATA					
						VOLTS	RLA*	LRA	MCC**	HEATER Watts	PACKED WEIGHT kg
R22 MEDIUM TEMPERATURE											
KSC1200 (S / D) -1	1/2	1220	6.0	750	1750	240/1	3.3	15.2	4.7	N/A	100
KSC1800 (S / D) -2	7/8	1750	6.0	1100	1750	240/1	4.3	19.0	6.7	N/A	104
KSC2000 (S / D) -2	1-1/4	2110	6.5	1325	1750	240/1	5.4	31.0	11.1	N/A	107
KSC2900 (S / D) -2	1-1/2	2850	7.0	1800	3500	240/1	7.4	36.0	13.7	N/A	140
KSCT4100 (S / D) -1	2	4100	6.5	2700	3500	240/1	10.6	55.0	18.6	N/A	172
KSCT4100 (S / D) -1	2	4100	6.5	2700	3500	415/3	5.1/PH	36.0/PH	8.4/PH	N/A	170
R22 ICE STORAGE											
KSIC1200-1	7/8	1290	6.4	1050	1750	240/1	5.1	25.0	9.1	1085	101
KSIC1800-1	1	1770	6.1	1290	3720	240/1	5.7	31.0	11.5	1795	108
KSIC2350-1	1-1/2	2360	6.5	1380	3500	240/1	7.2	45.0	13.3	2145	148
R507/R404A LOW TEMPERATURE											
KSF1500D-1	1-1/4	1525	4.0	1450	1750	240/1	6.9	43.0	8.3	1795	108
KSF2000S -1	1-1/2	1970	4.5	1500	3500	240/1	10.6	43.0	14.1	2300	155
KSFT2600S-3	2	2540	4.5	1700	3500	415/3	6.4/PH	38.0/PH	10.1/PH	2300	160

LOW PROFILE DROP-IN RANGE

PRODUCT NUMBER	NOMINAL HP	CAPACITY Watts	EVAPO-RATOR TD °K	REFRIG. CHARGE grams	EVAP FAN WATT HRS PER 24 HRS	UNIT DATA					
						VOLTS	RLA*	LRA	MCC**	HEATER Watts	PACKED WEIGHT kg
R22 MEDIUM TEMPERATURE											
KPC650-1	1/4	650	6.5	580	1440	240/1	3.4	14.0	4.8	N/A	30
KPC800-1	1/3	800	6.0	620	1940	240/1	4.2	14.5	5.3	N/A	33
KPC1000-1	3/8	1000	6.5	645	2160	240/1	3.2	14.8	4.7	N/A	35
KPC1200	1/2	1150	6.5	980	2520	240/1	3.6	15.2	5.3	N/A	48
KPC1400-1	3/4	1440	6.2	1150	3240	240/1	4.2	14.6	6.1	N/A	52
KPC1700-3	7/8	1650	6.5	1100	3240	240/1	4.0	19.0	7.2	N/A	60
R507/R404A LOW TEMPERATURE											
KPF1000-1	3/4	940	6.5	975	2520	240/1	4.2	30.0	7.7	1480	48
KPF1200-1	1	1150	6.5	820	2520	240/1	6.7	36.0	8.9	1480	60

CAPACITY CORRECTION FACTORS & APPLICATION RANGE

1. Obtain Capacity Correction Factor from the appropriate graph below, using the design conditions for Ambient Temperature and Storage Temperature (Air On).
2. Multiply the Gross Capacity (Watts) by the Capacity Correction Factor to obtain the adjusted unit capacity.



Note:

Suffix S = Slide-In model number, Suffix D = Dixell electronic control fitted.

* = Unit RLA is taken at +2°C (MT), or -15°C (LT) Air On, 32°C Ambient.

** = Unit M.C.C. (Maximum Continuous Current) is based on compressor MCC plus Fan RLA.

Packed Weight refers to Drop-In models

Drop-In & Slide-In packaged units – cont'd

STANDARD DROP-IN & SLIDE-IN RANGE

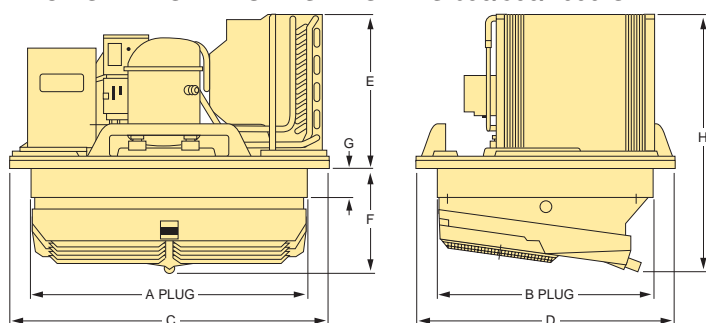
UNIT DATA		COMPRESSOR				CONDENSER MOTOR (ea)			EVAPORATOR MOTOR (ea)		
PLUG TYPE	MODEL	DISPL.	RLA	MCC	LRA	VOLTS	WATTS	RLA	VOLTS	WATTS	RLA
R22 MEDIUM TEMPERATURE											
A	AE14MG	14.14	2.9	4.3	15.2	240/1	80	0.6	240/1	1 x 73	0.3
A	AE18MG	18.00	3.8	5.8	19.0	240/1	80	0.6	240/1	1 x 73	0.3
A	WJ26MHG	26.70	6.7	10.5	31.0	240/1	73	0.3	240/1	1 x 73	0.3
B	WJ31MHG	30.50	7.6	11.9	36.0	240/1	80	0.6	240/1	2 x 73	0.3
B	AW48MHG	48.40	10.8	16.8	55.0	240/1	80	0.6	240/1	2 x 73	0.3
B	AW48MHG	48.40	4.2/PH	5.7/PH	36.0/PH	240/1	80	0.6	240/1	2 x 73	0.3
R22 ICE STORAGE											
A	WJ22MHG	21.50	5.3	8.2	25.0	240/1	80	0.6	240/1	1 x 73	0.3
A	WJ26MHG	26.70	6.7	10.5	31.0	240/1	73	0.3	240/1	1 x 155	0.7
B	AW38MHG	37.50	7.4	11.5	45.0	240/1	80	0.6	240/1	2 x 73	0.3
R507/R404A LOW TEMPERATURE											
A	AW40LZ	43.10	6.9	10.0	43.0	240/1	73	0.3	240/1	1 x 73	0.3
B	AW54LZ	53.50	8.9	12.3	43.0	240/1	80	0.6	240/1	2 x 73	0.3
B	AVA2490ZXG	74.03	3.6/PH	8.3/PH	38.3/PH	240/1	80	0.6	240/1	2 x 73	0.3

LOW PROFILE DROP-IN RANGE

UNIT DATA		COMPRESSOR				CONDENSER MOTOR (ea)			EVAPORATOR MOTOR (ea)		
PLUG TYPE	MODEL	DISPL.	RLA	MCC	LRA	VOLTS	WATTS	RLA	VOLTS	WATTS	RLA
R22 ICE STORAGE											
C	AE8MG	7.55	2.5	4.0	14.0	240/1	40	0.3	240/1	2 x 30	0.3
C	AE9MG	8.88	2.9	4.2	14.5	240/1	40	0.3	240/1	3 x 27	0.3
C	AE12MG	12.01	2.5	3.6	14.8	240/1	40	0.3	240/1	3 x 30	0.3
C	AE14MG	14.14	2.9	3.8	15.2	240/1	80	0.6	240/1	3 x 35	0.3
C	AE16MG	16.16	3.8	4.4	14.6	240/1	80	0.6	240/1	3 x 45	0.3
C	AE18MG	18.00	3.8	5.8	19.0	240/1	80	0.6	240/1	3 x 45	0.3
R507/R404A LOW TEMPERATURE											
C	WJ26LZ	26.70	4.2	6.2	30.0	240/1	80	0.6	240/1	3 x 35	0.3
C	WJ31LZ	30.50	4.9	7.4	36.0	240/1	80	0.6	240/1	3 x 35	0.3

DIMENSIONS

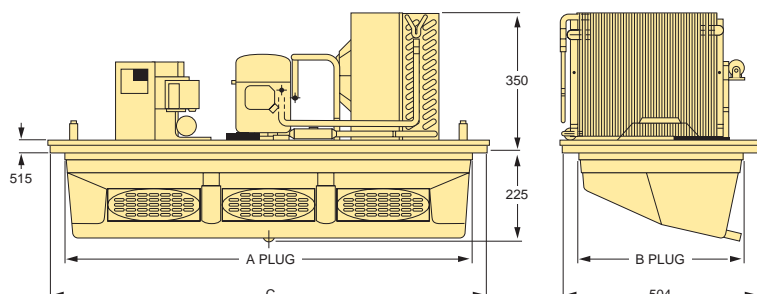
KPC LOW PROFILE UNITS - MODELS 650/800/1000 ONLY



DIMENSIONS

MODEL	A	B	C
KPC650	536	420	620
KPC800	810	420	890
KPC1000	810	420	890
KPF	1030	420	1114

KPC LOW PROFILE UNITS - MODELS 1200/1400/1700 & KPF LOW PROFILE UNITS - MODELS 1000/1200



Note: For a clearance size hole for all models, add 15mm to plug dimensions A & B. Hole must be cut square.
See over for remainder of drawings

Drop-In & Slide-In packaged units – cont'd

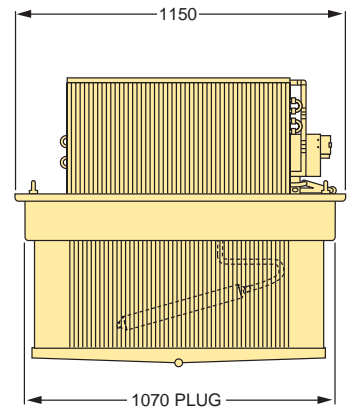
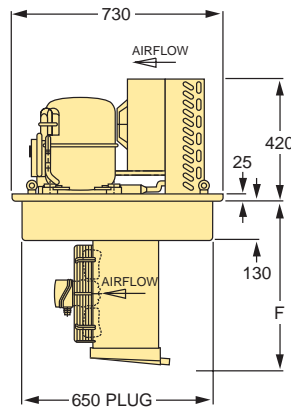
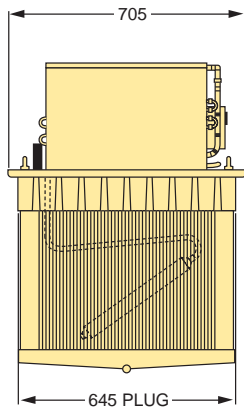
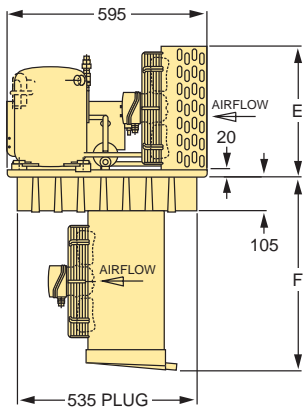


DIMENSIONS							
MODEL	TYPE	E	F	MODEL	TYPE	E	F
KSC1200D-1	A	340	525	KSF1500D-1	A	385	560
KSC1800D-2	A	340	580	KSF2000-1	B	-	635
KSC2000D-2	A	385	560	KSFT2600	B	-	635
KSC2900D-2	B	-	635	KSIC1200-1	A	340	525
KSC4100D-1	B	-	635	KSIC1800-1	A	385	565
KSCT4100D-1	B	-	635	KSIC2350-1	B	-	550

KS & KSIC STANDARD UNITS - TYPE A & B DROP-IN UNITS

TYPE A

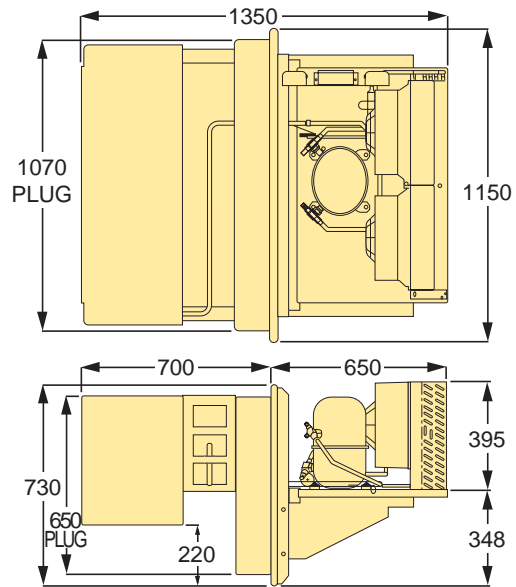
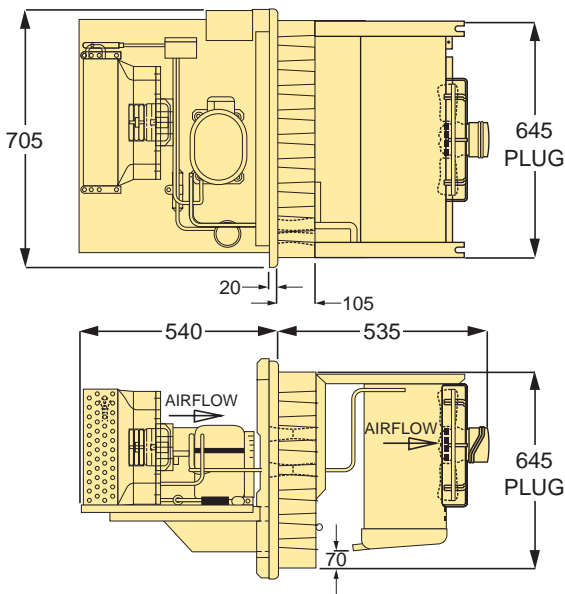
TYPE B



KS STANDARD UNITS - TYPE A & B SLIDE-IN UNITS

TYPE A

TYPE B



Note: For a clearance size hole for all models, add 15mm to plug dimensions. Hole must be cut square.

Drop-In & Slide-In packaged units – cont'd

REPLACEMENT UNIT GUIDE				
PREVIOUS PART NO.	REFRIGERANT	REPLACED BY MODEL NO.	REFRIGERANT	CAPACITY (WATTS)
STANDARD DROP-IN RANGE - MEDIUM TEMPERATURE				
UJBA21 / UEDK21	R12 / R22	KSC1200S-1	R22	1220
UJBB21, 22	R12 / R22	KSC1800S-2	R22	1750
UJBC21, 22	R12 / R22	KSC2000S-2	R22	2110
UHA24, UJCA21	R12 / R22	KSC2900S-1	R22	2850
UHB24, 26	R12 / R22	KSC4100S-1	R22	4100
UHB25, 27	R12 / R22	KSCT4100S-1	R22	4100
STANDARD DROP-IN RANGE - LOW TEMPERATURE				
UHC21, 22, 23, 24	R502 / R407B / R404A	KSF1500D-1	R404A	1525
UHD21, 22, 23	R502 / R407B / R404A	KSF2000S-1	R404A	1970
		KSFT2600S-3	R404A	2540
LOW PROFILE DROP-IN RANGE - MEDIUM TEMPERATURE				
UECK1, 2, 3	R12	KPC650-1	R22	650
UECK4 / KPC650, 651, 652	R12	KPC650-1	R22	650
UECL1, 2, 3	R12	KPC800-1	R22	800
UECL4 / KPC800, 801, 802	R12	KPC800-1	R22	800
UEDC3	R12	KPC1000-1	R22	1000
UEDC4	R12	KPC1000-1	R22	1000
UJAU1, 2	R12	KPC1000-1	R22	1000
UJAV1, 2, 3, 4 / UEDL4, 5	R12 / R22	KPC1200	R22	1150
UJAW1, 2, 3, 4	R12 / R22	KPC1700-3	R22	1650
LOW PROFILE DROP-IN RANGE - LOW TEMPERATURE				
UJBF2	R12	NO REPLACEMENT	-	-
UJBG2	R12	NO REPLACEMENT	-	-
UJBH2	R12	NO REPLACEMENT	-	-
UJBM2, 3	R502 / R407B / R404A	KPF1000-1	R404A	940
UJBK1, 2, 3, 4	R502 / R407B / R404A	KPF1200-1	R404A	1150
STANDARD SLIDE-IN RANGE - MEDIUM TEMPERATURE				
UJBA1 / UEDK1	R12 / R22	KSC1200-1	R22	1220
UJBB1, 2	R12 / R22	KSC1800-2	R22	1750
UJBC1, 2, 2-1	R12 / R22	KSC2000-2	R22	2110
UHA4 / UJCA1	R12 / R22	KSC2900-2	R22	2850
UHB4, 6	R12 / R22	KSC4100-1	R22	4100
UHB5, 7, 9	R12 / R22	KSCT4100-1	R22	4100
STANDARD SLIDE-IN RANGE - LOW TEMPERATURE				
UHC1, 2, 3, 4	R502 / R407B / R404A	KSF2000-1	R404A	1970
UHD1, 2, 3	R502 / R407B / R404A	KSFT2600-3	R404A	2540