

This Drawing is the property of Poseidon Scientific Instruments Pty. Ltd. and is strictly confidential. No part or parts of this document may be reproduced, stored in a retrieval system or transmitted in any form by any means (including electronic mechanical photocopying or otherwise) without the written permission of Poseidon Scientific Instruments Pty. Ltd.

SPECIFICATIONS

UNITS	Millimeters
TOLERANCES	± 0.5 mm Unless stated
MATERIAL	Mild Steel
MACHINED FINISH	None Specified
COMPONENT FINISH	Galvanised

A

B

C

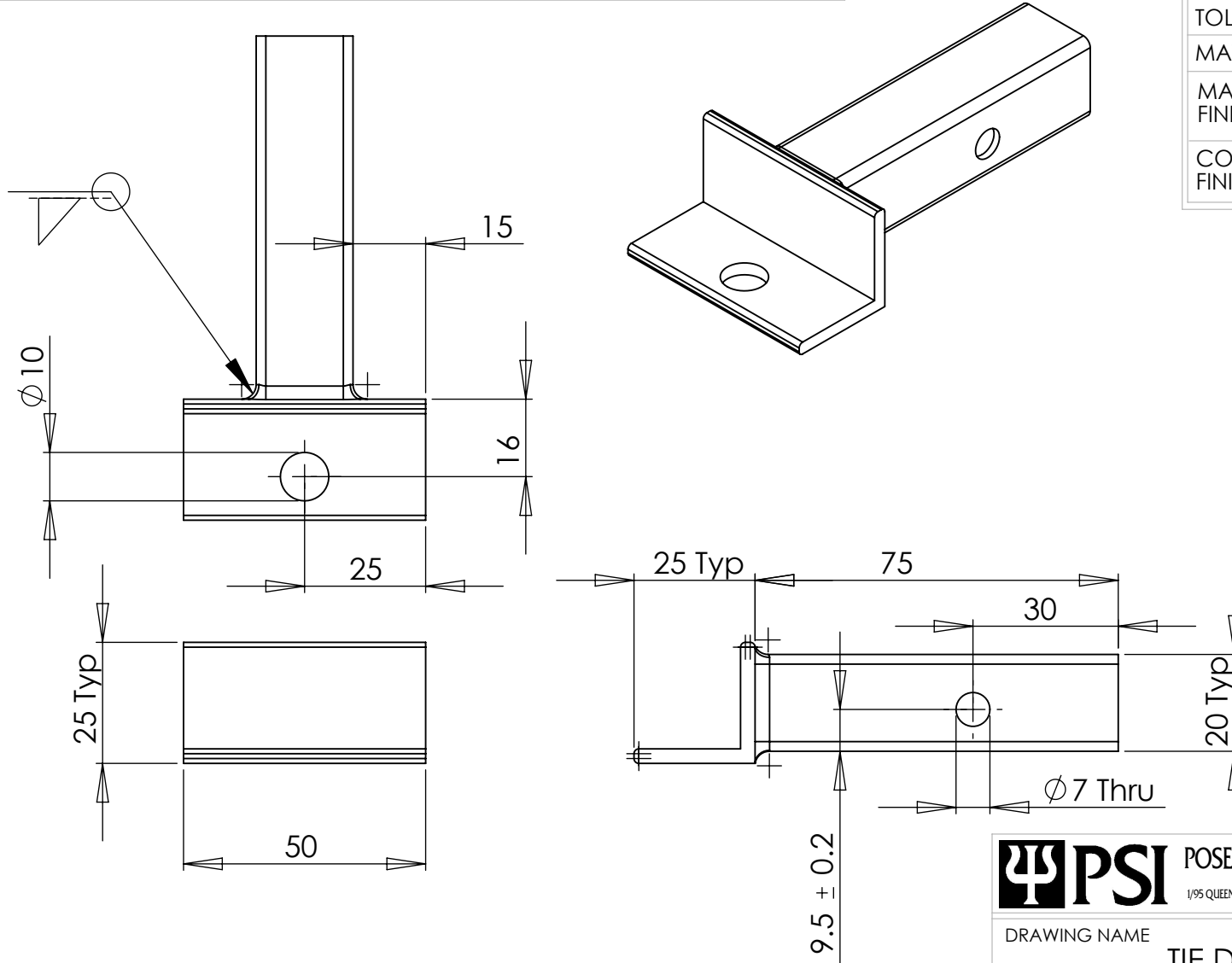
D

A

B

C

D



25 Typ

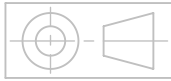
25 Typ

20 Typ

NOTE: Qty 4 required

Ψ PSI POSEIDON SCIENTIFIC INSTRUMENTS
 1/95 QUEEN VICTORIA ST, FREMANTLE WA 6160. PHONE (08) 9430 6639 FAX (08) 9335 4650

DRAWING NAME			
TIE DOWN BRACKET			
SIZE	DRAWN BY	DRAWING FILENAME	
A4	I. HART	MWAM025 Tie down bracket.SLDDRW	
SCALE	DATE	COMPONENT FILENAME	REV
3:4	20/10/2009	MWAM025 Tie down bracket.SLDPRT	A
SHEET			
1 of 1			



1

2

3

4

5

6