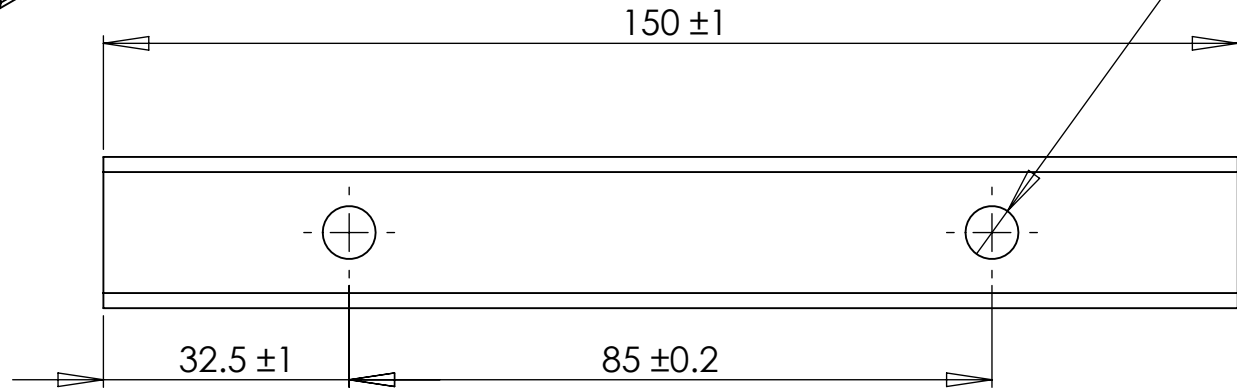
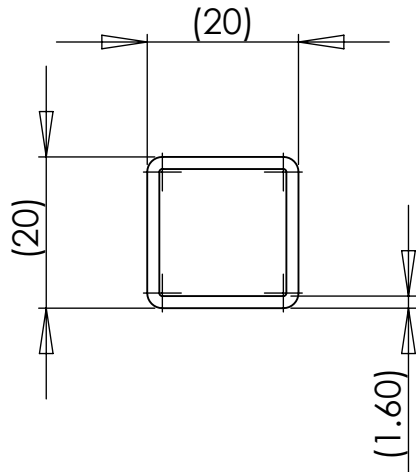
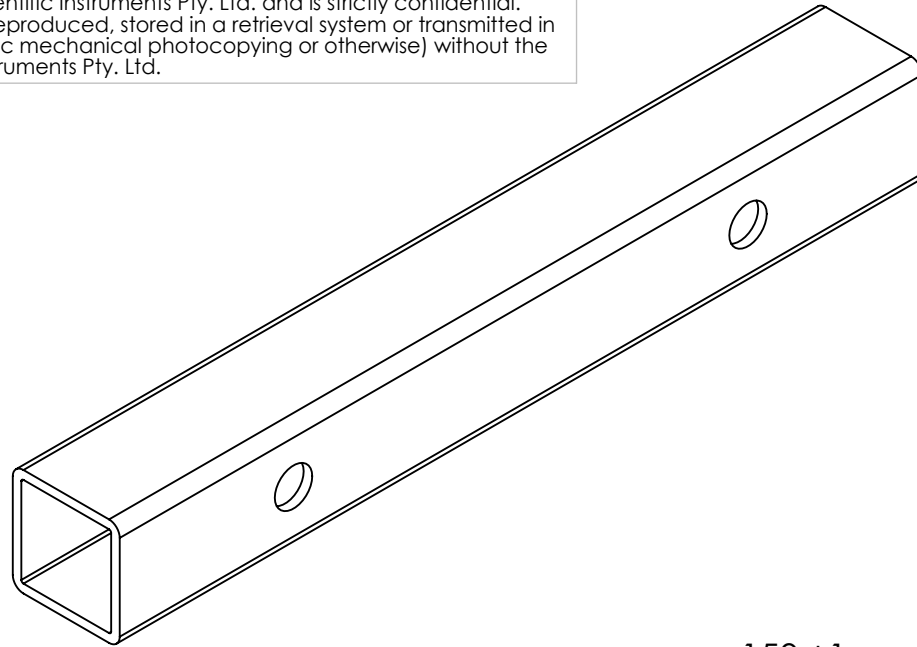


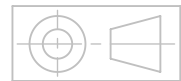
This Drawing is the property of Poseidon Scientific Instruments Pty. Ltd. and is strictly confidential. No part or parts of this document may be reproduced, stored in a retrieval system or transmitted in any form by any means (including electronic mechanical photocopying or otherwise) without the written permission of Poseidon Scientific Instruments Pty. Ltd.

**SPECIFICATIONS**

UNITS	Millimeters
TOLERANCES	± 0.1 mm Unless stated
MATERIAL	20 x 20 x 1.6 Galv SHS tube
MACHINED FINISH	None Specified
COMPONENT FINISH	None Specified



2 x Ø7 THRU



**POSEIDON SCIENTIFIC INSTRUMENTS**

1/95 QUEEN VICTORIA ST, FREMANTLE WA 6160. PHONE (08) 9430 6639 FAX (08) 9335 4650

DRAWING NAME

**AC Enc. Interconnect Bar**

SIZE  
A4

DRAWN BY  
**I. HART**

DRAWING FILENAME  
MWAM023 AC enclosure interconnect bar.SLDDRW

SCALE  
1:1

DATE  
**20/10/2009**

COMPONENT FILENAME  
MWAM023 AC enclosure interconnect bar.SLDPRT

SHEET  
1 of 1

REV  
**A**

NOTE: Qty 2 required