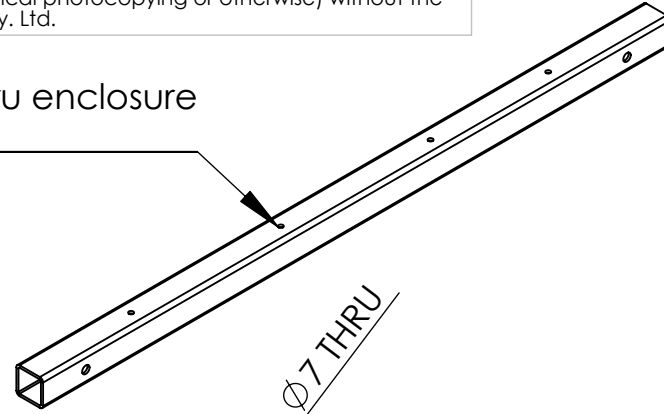


This Drawing is the property of Poseidon Scientific Instruments Pty. Ltd. and is strictly confidential. No part or parts of this document may be reproduced, stored in a retrieval system or transmitted in any form by any means (including electronic mechanical photocopying or otherwise) without the written permission of Poseidon Scientific Instruments Pty. Ltd.

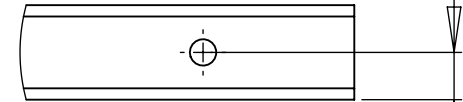
**SPECIFICATIONS**

UNITS	Millimeters
TOLERANCES	± 0.1 mm Unless stated
MATERIAL	25 x 25 x 2 Galv SHS
MACHINED FINISH	None Specified
COMPONENT FINISH	None Specified

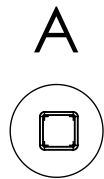
4 x Holes drilled thru enclosure during assembly



2 x Ø7 THRU



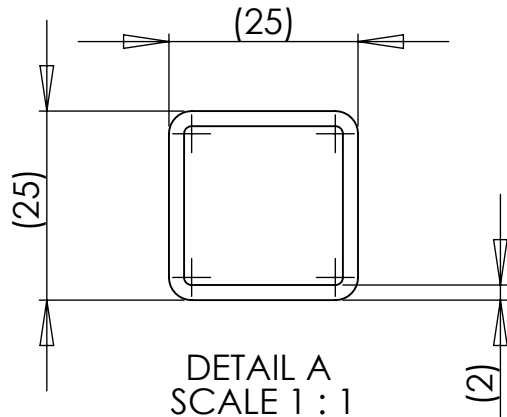
DETAIL B  
SCALE 1 : 2



40 ± 0.2

586 ± 1

506 ± 0.2



DETAIL A  
SCALE 1 : 1

NOTE: Qty 2 required



**POSEIDON SCIENTIFIC INSTRUMENTS**

1/95 QUEEN VICTORIA ST, FREMANTLE WA 6160. PHONE (08) 9430 6639 FAX (08) 9335 4650

DRAWING NAME

**AC Enclosure Tie Down Bar**

SIZE  
A4

DRAWN BY  
**I. HART**

DRAWING FILENAME

MWAM022 AC enclosure tie down bar.SLDDRW

SCALE  
1:5

DATE  
**20/10/2009**

COMPONENT FILENAME

MWAM022 AC enclosure tie down bar.SLDPRT

SHEET  
1 of 1

REV

**A**