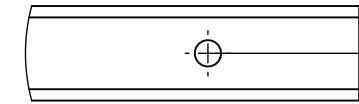
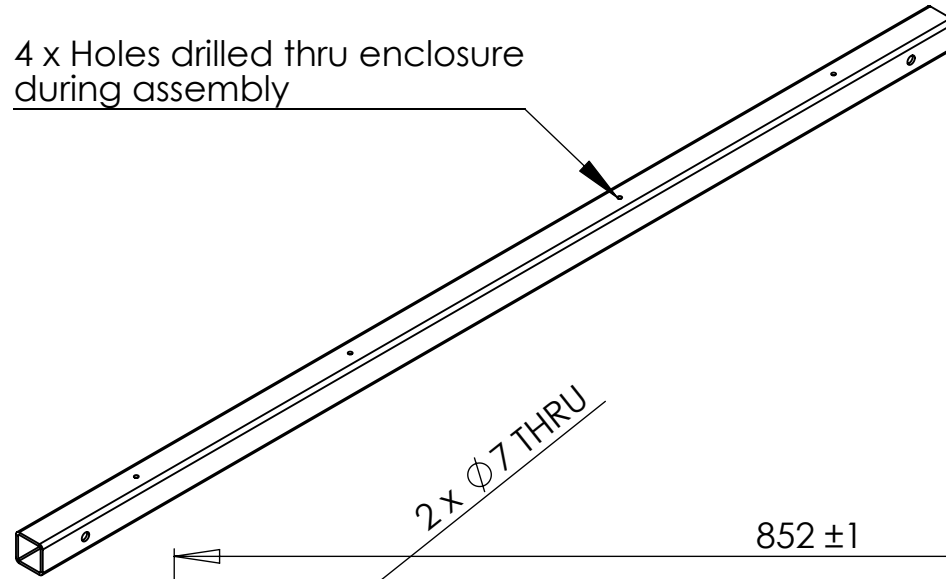


This Drawing is the property of Poseidon Scientific Instruments Pty. Ltd. and is strictly confidential. No part or parts of this document may be reproduced, stored in a retrieval system or transmitted in any form by any means (including electronic mechanical photocopying or otherwise) without the written permission of Poseidon Scientific Instruments Pty. Ltd.

SPECIFICATIONS

| | |
|------------------|------------------------|
| UNITS | Millimeters |
| TOLERANCES | ± 0.1 mm Unless stated |
| MATERIAL | 25 x 25 x 2 Galv SHS |
| MACHINED FINISH | None Specified |
| COMPONENT FINISH | None Specified |

4 x Holes drilled thru enclosure during assembly



DETAIL B
SCALE 1 : 2

2 x 12.5

2 x Ø7 THRU

852 ±1

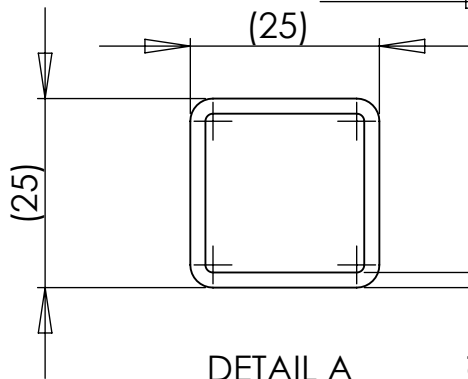
40 ±0.2

772 ±0.2



A

B



DETAIL A
SCALE 1 : 1

NOTE: Qty 2 required



POSEIDON SCIENTIFIC INSTRUMENTS

1/95 QUEEN VICTORIA ST, FREMANTLE WA 6160. PHONE (08) 9430 6639 FAX (08) 9335 4650

DRAWING NAME

Main Enclosure Tie Down Bar

SIZE
A4

DRAWN BY
I. HART

DRAWING FILENAME
MWAM021 Main enclosure tie down bar.SLDDRW

SCALE
1:5

DATE
21/10/2009

COMPONENT FILENAME
MWAM021 Main enclosure tie down bar.SLDPRT

REV
A