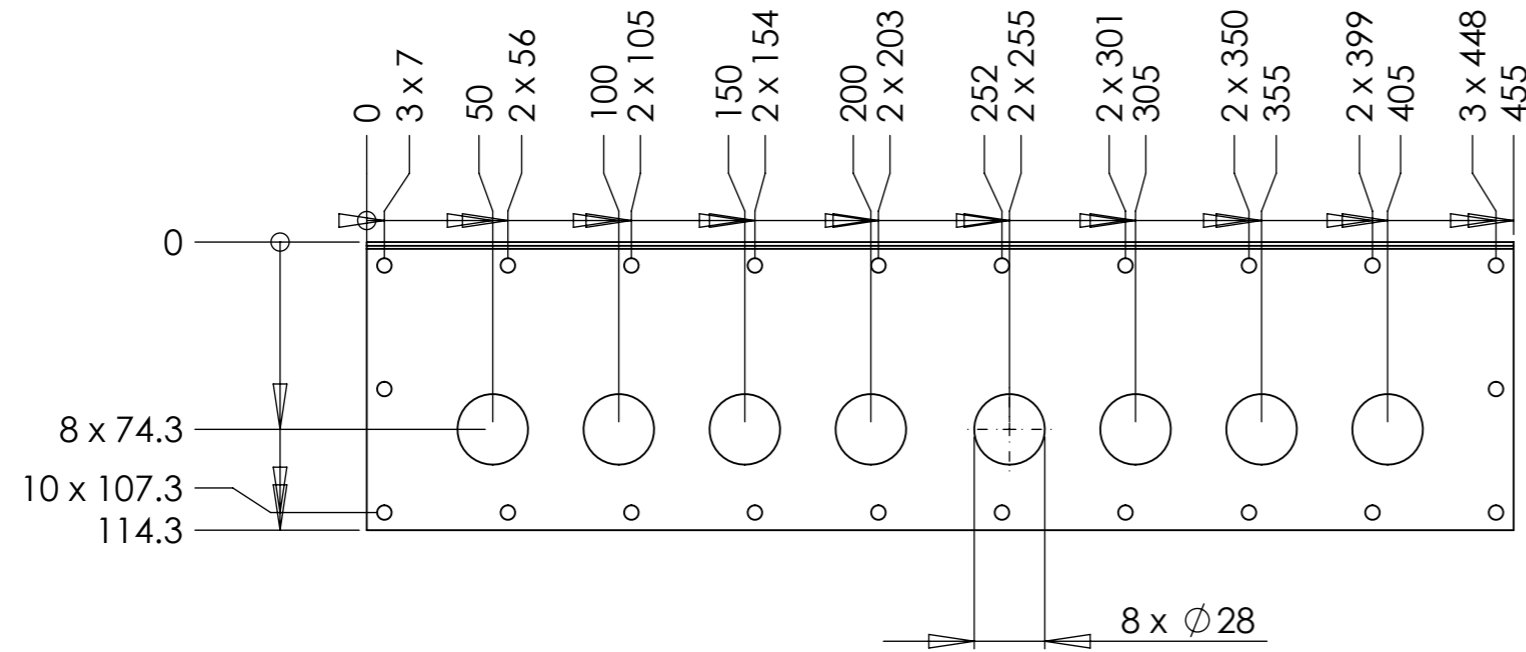
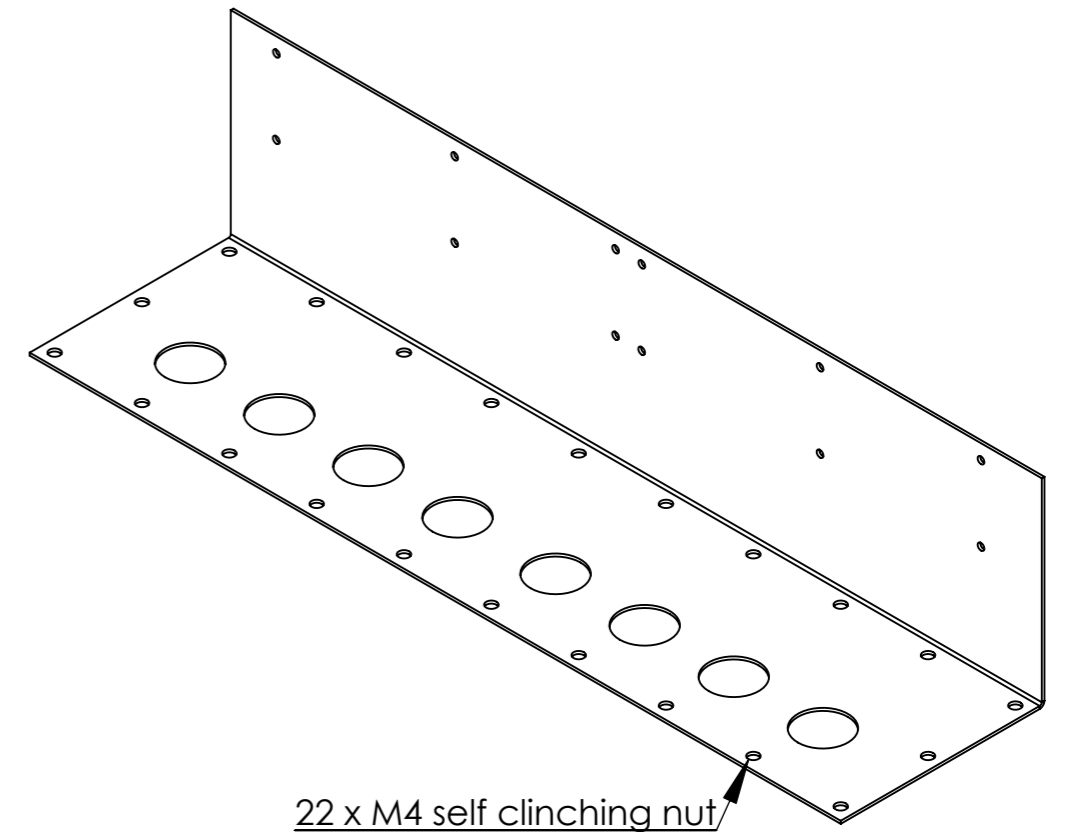
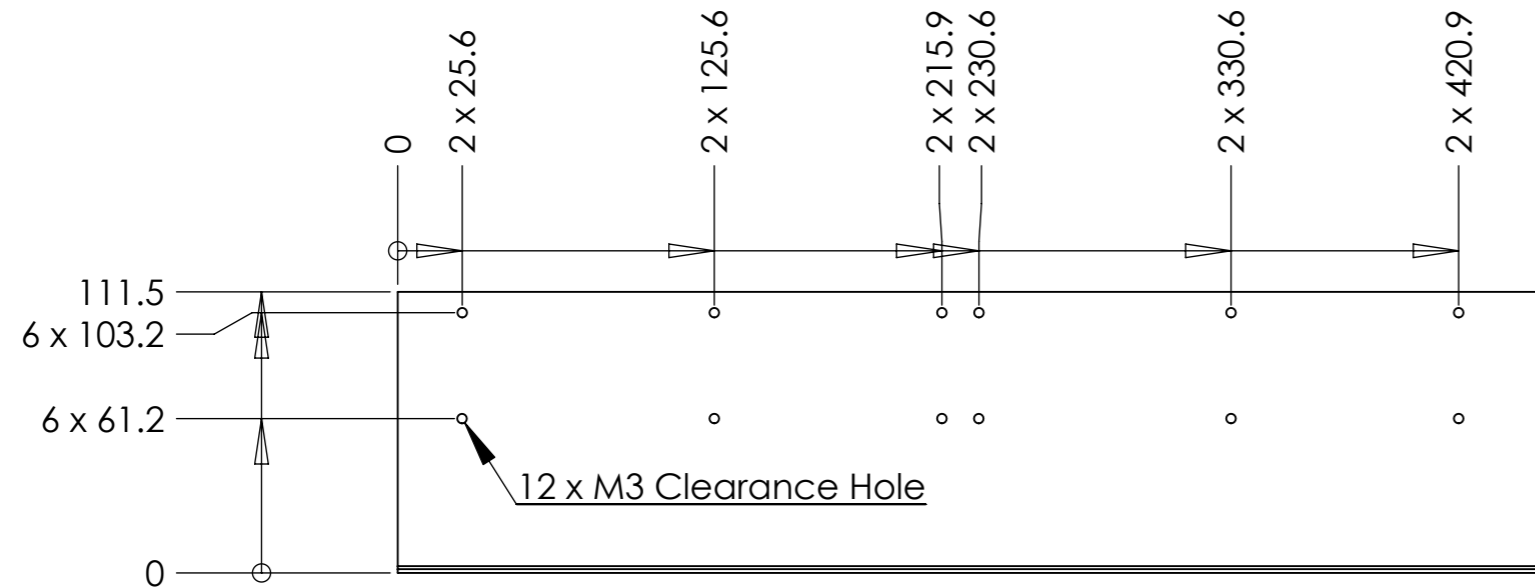


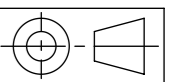
This Drawing is the property of Poseidon Scientific Instruments Pty. Ltd. and is strictly confidential. No part or parts of this document may be reproduced, stored in a retrieval system or transmitted in any form by any means (including electronic mechanical photocopying or otherwise) without the written permission of Poseidon Scientific Instruments Pty. Ltd.


SPECIFICATIONS

UNITS	MILLIMETERS
TOLERANCES	± 0.2 mm UNLESS STATED
MATERIAL	1mm steel, zinc seal
FINISH	1. Phosphate passivate 2. Mask where indicated 3. Powder coat white



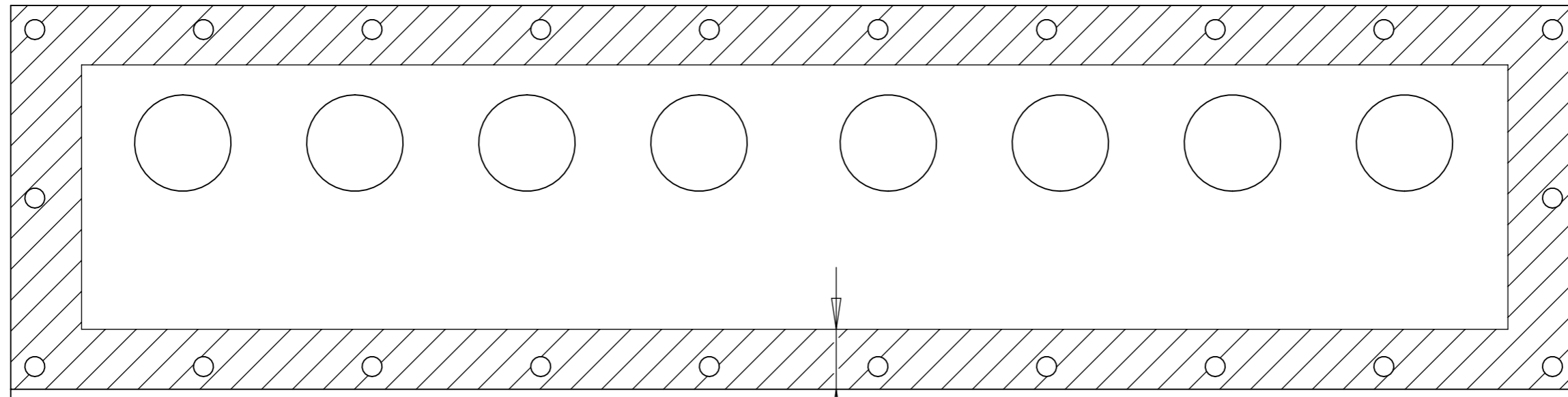
NOTE: This side is not powder coated



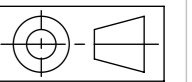
 POSEIDON SCIENTIFIC INSTRUMENTS <small>17 QUEEN VICTORIA ST, FREMANTLE WA 6160 PH: (08) 9430 6639 FAX (08) 9335 4650</small>			
DRAWING NAME			
MWA Connector Panel			
SIZE	DRAWN BY	DRAWING FILENAME.	
A3	C.Coleman	MWAM014 Connector panel.SLDDRW	
SCALE	DATE	COMPONENT NAME	REV
1:3	20/10/2009	MWAM014 Connector panel.SLDPRT	A
SHEET			
1 of 2			

This Drawing is the property of Poseidon Scientific Instruments Pty. Ltd. and is strictly confidential. No part or parts of this document may be reproduced, stored in a retrieval system or transmitted in any form by any means (including electronic mechanical photocopying or otherwise) without the written permission of Poseidon Scientific Instruments Pty. Ltd.


SPECIFICATIONS	
UNITS	MILLIMETERS
TOLERANCES	± 1 mm UNLESS STATED
MATERIAL	1mm steel, zinc seal
FINISH	1. Phosphate passivated 2. Mask where indicated 3. Powder coat white



Mask 20mm wide (typ) all around



NOTE: Other side is not powder coated

 POSEIDON SCIENTIFIC INSTRUMENTS <small>17 QUEEN VICTORIA ST, FREMANTLE WA 6160 PH: (08) 9430 6639 FAX (08) 9335 4650</small>			
DRAWING NAME			
MWA Connector Panel			
SIZE	DRAWN BY	DRAWING FILENAME.	
A3	I. HART	MWAM014 Connector panel.SLDDRW	
SCALE	DATE	COMPONENT NAME	REV
2:3	20/10/2009	MWAM014 Connector panel.SLDPRT	A
SHEET			
2 of 2			