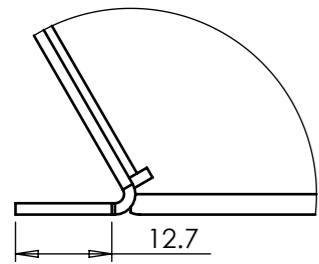


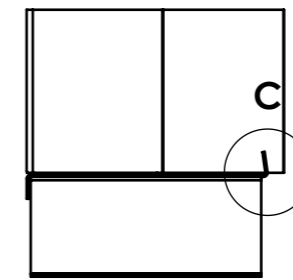
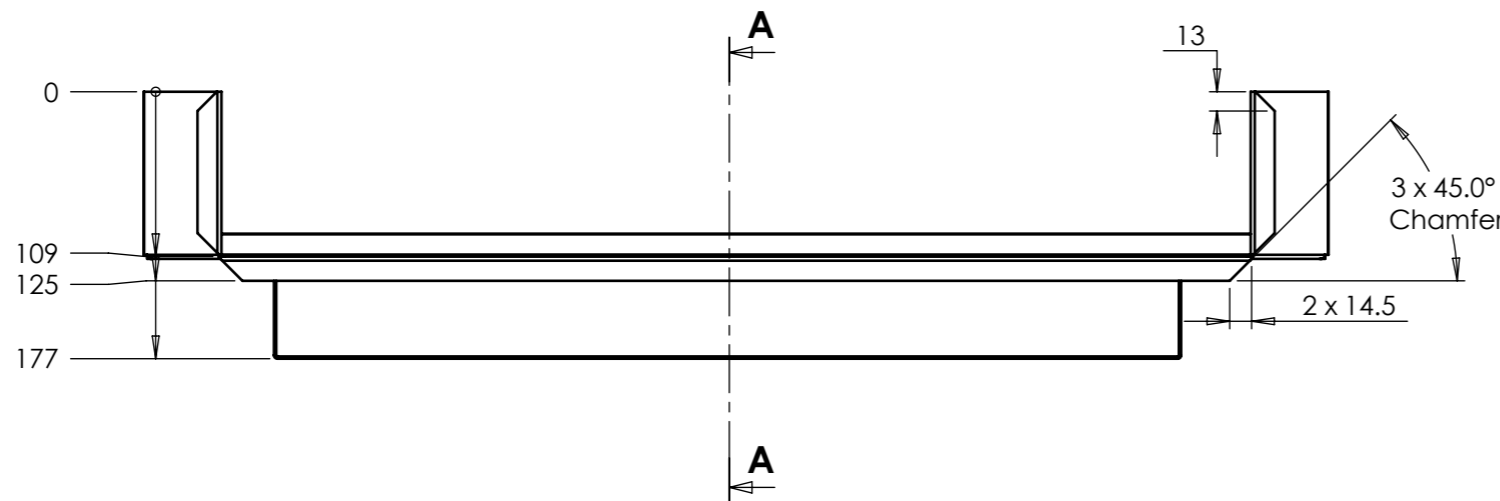
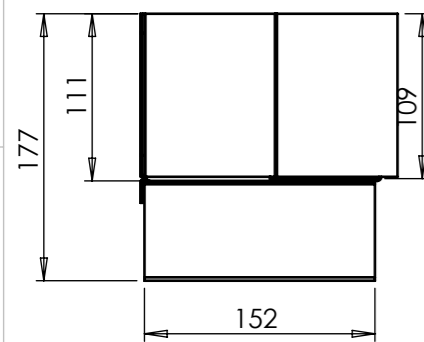
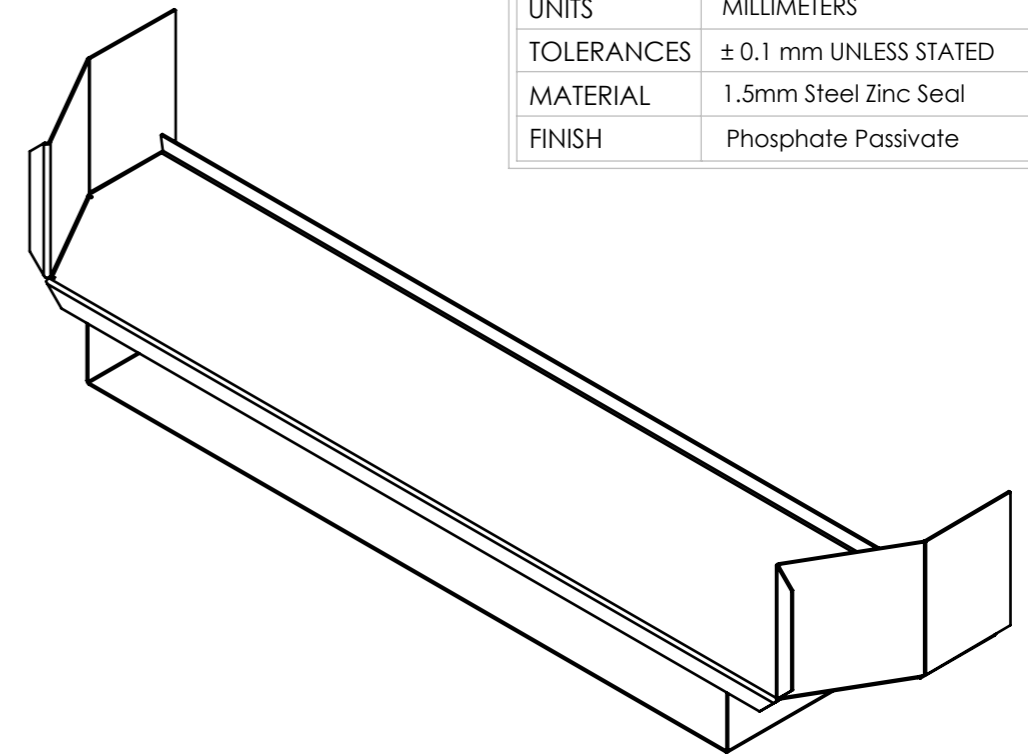
This Drawing is the property of Poseidon Scientific Instruments Pty. Ltd. and is strictly confidential. No part or parts of this document may be reproduced, stored in a retrieval system or transmitted in any form by any means (including electronic mechanical photocopying or otherwise) without the written permission of Poseidon Scientific Instruments Pty. Ltd.

**SPECIFICATIONS**

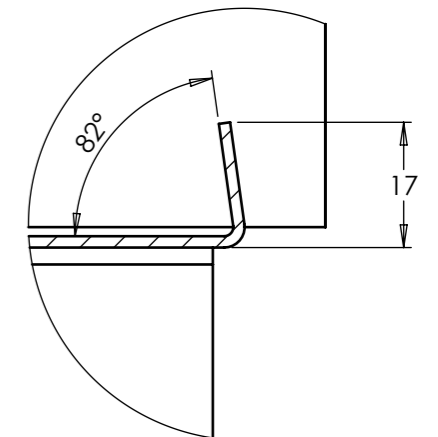
UNITS	MILLIMETERS
TOLERANCES	± 0.1 mm UNLESS STATED
MATERIAL	1.5mm Steel Zinc Seal
FINISH	Phosphate Passivate



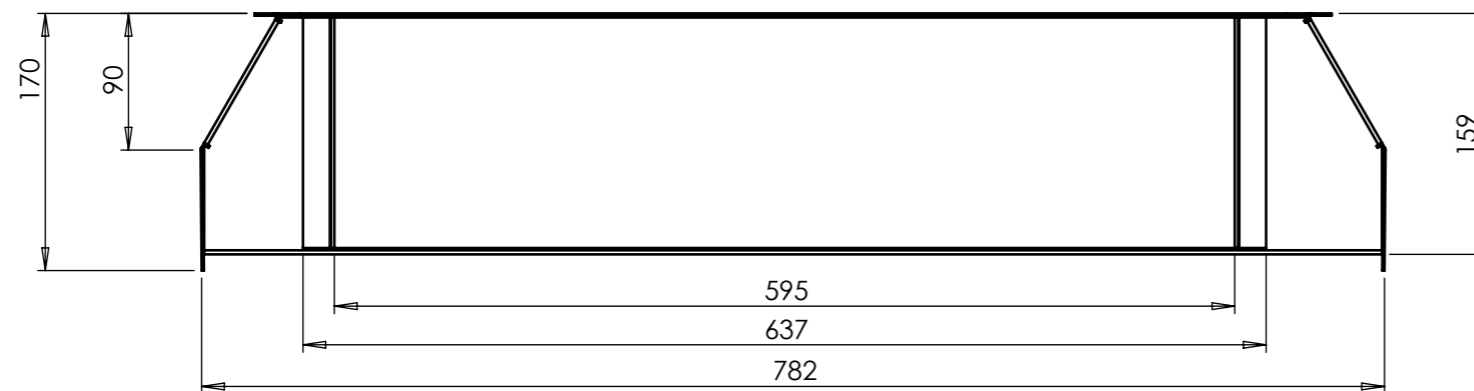
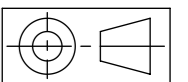
DETAIL B  
SCALE 1 : 1




SECTION A-A



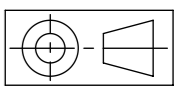
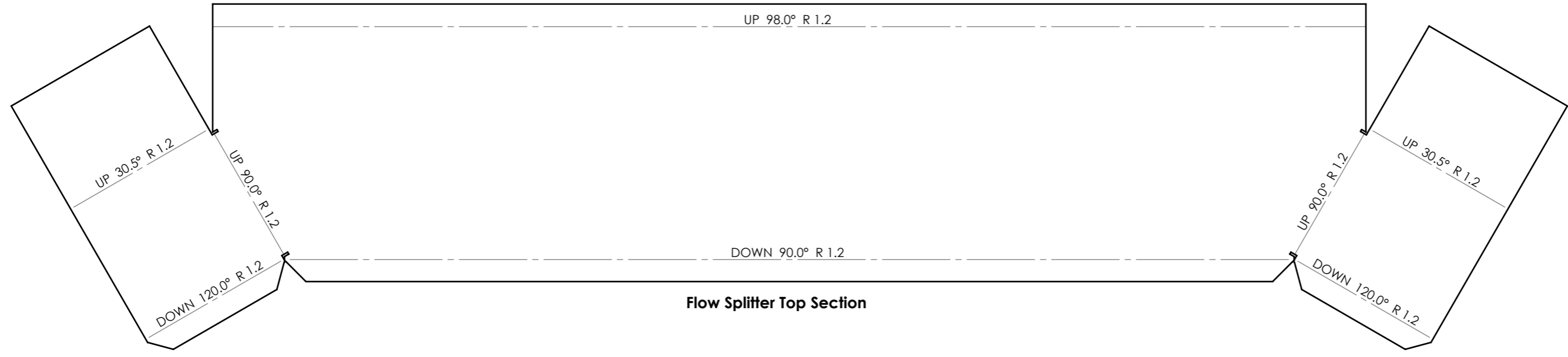
DETAIL C  
SCALE 1 : 1



 <b>POSEIDON SCIENTIFIC INSTRUMENTS</b> <small>17 QUEEN VICTORIA ST, FREMANTLE WA 6160 PH: (08) 9430 6639 FAX (08) 9335 4650</small>			
DRAWING NAME			
<b>MWAM013 Flow Splitter</b>			
SIZE A3	DRAWN BY C.Coleman	DRAWING FILENAME. MWAM013 Flow splitter.SLDDRW	
SCALE 1:5	DATE 21/10/2009	COMPONENT NAME MWAM013 Flow Splitter.SLDPRT	REV A
SHEET 1 of 2			

This Drawing is the property of Poseidon Scientific Instruments Pty. Ltd. and is strictly confidential. No part or parts of this document may be reproduced, stored in a retrieval system or transmitted in any form by any means (including electronic mechanical photocopying or otherwise) without the written permission of Poseidon Scientific Instruments Pty. Ltd.

SPECIFICATIONS	
UNITS	MILLIMETERS
TOLERANCES	± 0.1 mm UNLESS STATED
MATERIAL	1.5mm Steel Zinc Seal
FINISH	Phosphate Passivate



Note: Suggested two piece construction configuration

<b>POSEIDON SCIENTIFIC INSTRUMENTS</b> <small>17 QUEEN VICTORIA ST, FREMANTLE WA 6160 PH: (08) 9430 6639 FAX (08) 9335 4650</small>			
DRAWING NAME			
MWAM013 Flow Splitter			
SIZE	DRAWN BY	DRAWING FILENAME.	
A3	C.Coleman	MWAM013 Flow splitter.SLDDRW	
SCALE	DATE	COMPONENT NAME	REV
1:3	21/10/2009	Flow Splitter Bottom/Top Sections	A
SHEET			
2 of 2			