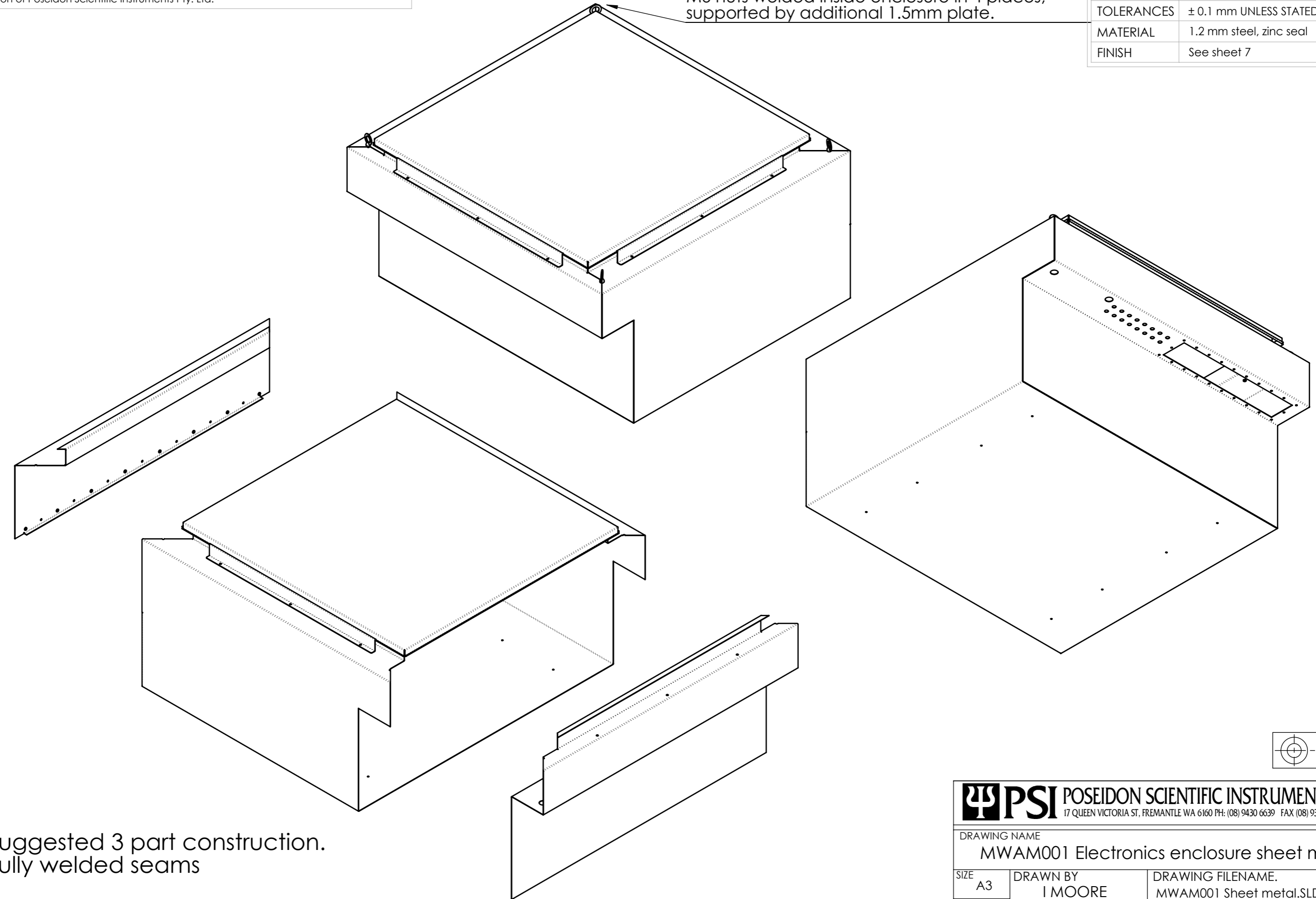


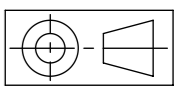
This Drawing is the property of Poseidon Scientific Instruments Pty. Ltd. and is strictly confidential. No part or parts of this document may be reproduced, stored in a retrieval system or transmitted in any form by any means (including electronic mechanical photocopying or otherwise) without the written permission of Poseidon Scientific Instruments Pty. Ltd.


| SPECIFICATIONS | |
|----------------|-------------------------|
| UNITS | MILLIMETERS |
| TOLERANCES | ± 0.1 mm UNLESS STATED |
| MATERIAL | 1.2 mm steel, zinc seal |
| FINISH | See sheet 7 |

M6 x 16 Bolts with 33mm washers welded to head.
M6 nuts welded inside enclosure in 4 places, supported by additional 1.5mm plate.



Suggested 3 part construction.
Fully welded seams

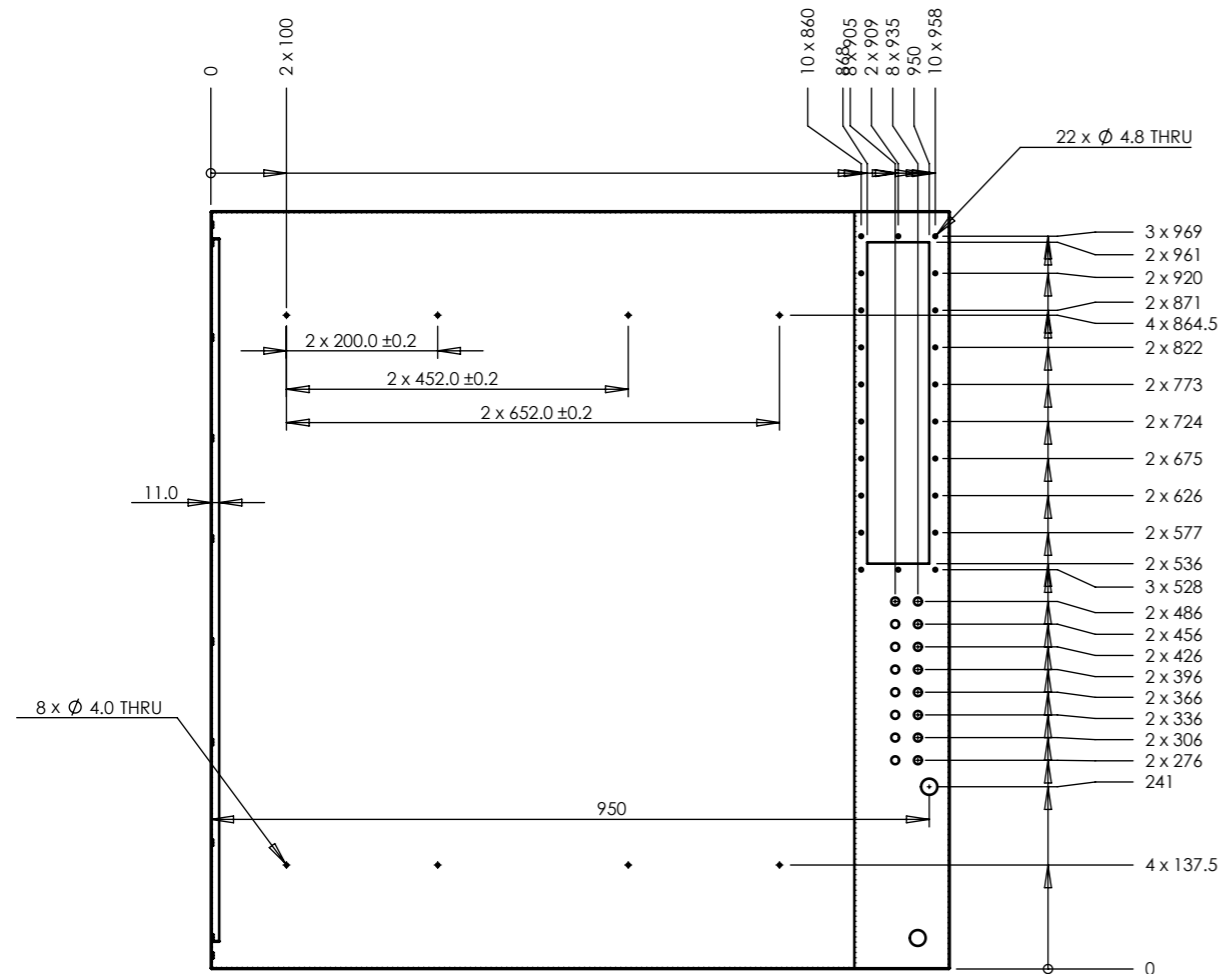


| | | | |
|------------------------------------------------------------------------------------------------------------------------------------------------------------------------------------------------------------------------------|------------|----------------------------|-----|
|  POSEIDON SCIENTIFIC INSTRUMENTS <small>17 QUEEN VICTORIA ST, FREMANTLE WA 6160 PH: (08) 9430 6639 FAX (08) 9335 4650</small> | | | |
| DRAWING NAME | | | |
| MWAM001 Electronics enclosure sheet metal | | | |
| SIZE | DRAWN BY | DRAWING FILENAME. | |
| A3 | I MOORE | MWAM001 Sheet metal.SLDDRW | |
| SCALE | DATE | COMPONENT NAME | REV |
| 1:10 | 20/10/2009 | MWAM001 Sheet metal.SLDPRT | A |
| SHEET | | | |
| 1 of 7 | | | |

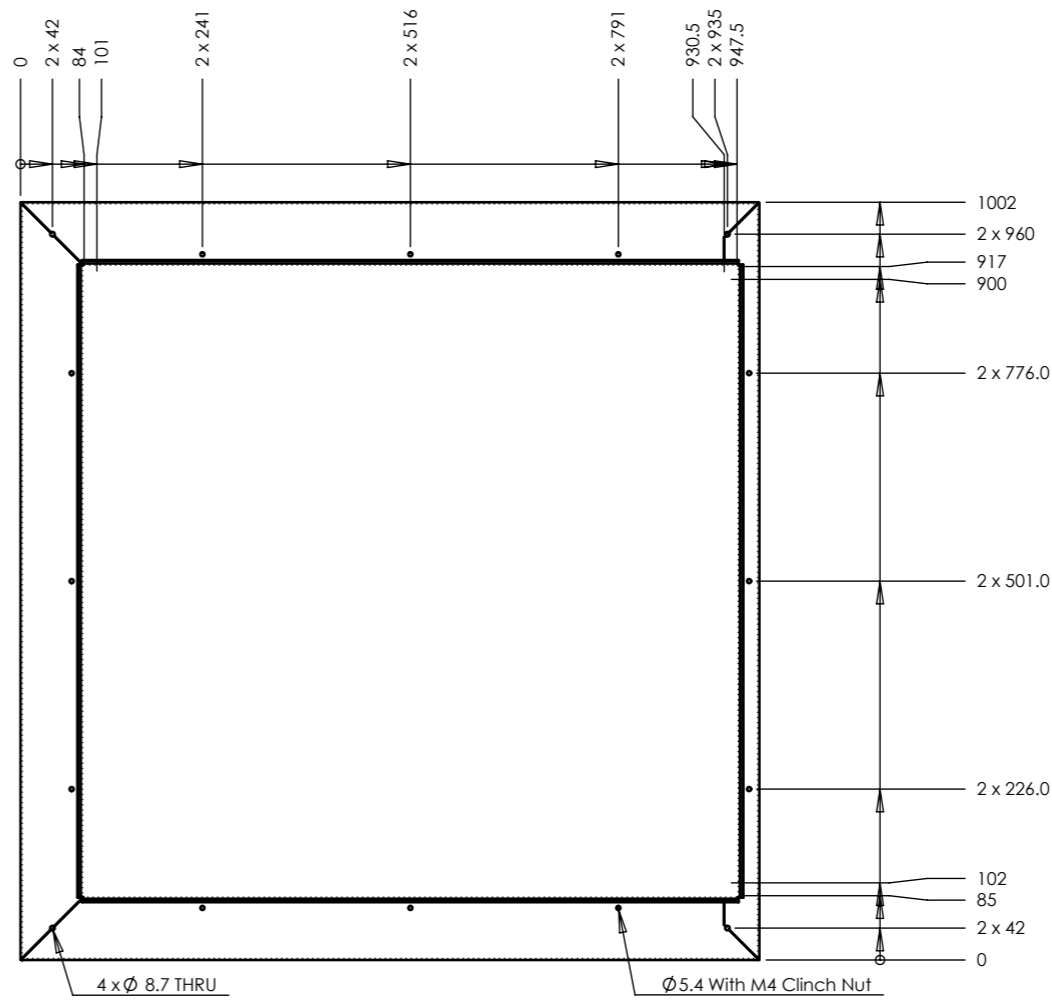
This Drawing is the property of Poseidon Scientific Instruments Pty. Ltd. and is strictly confidential. No part or parts of this document may be reproduced, stored in a retrieval system or transmitted in any form by any means (including electronic mechanical photocopying or otherwise) without the written permission of Poseidon Scientific Instruments Pty. Ltd.

SPECIFICATIONS

| | |
|------------|-------------------------|
| UNITS | MILLIMETERS |
| TOLERANCES | ± 0.1 mm UNLESS STATED |
| MATERIAL | 1.2 mm steel, zinc seal |
| FINISH | See sheet 7 |

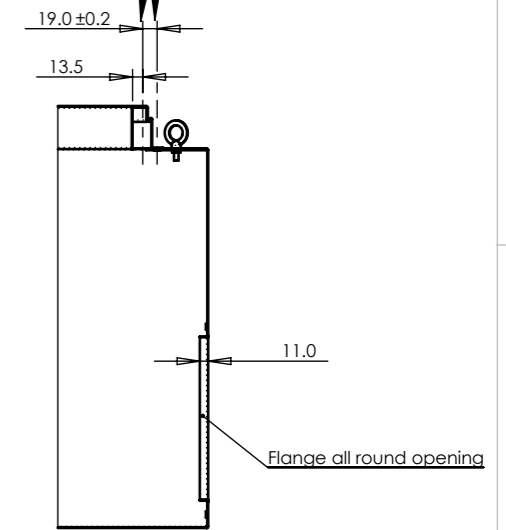


SECTION B-B

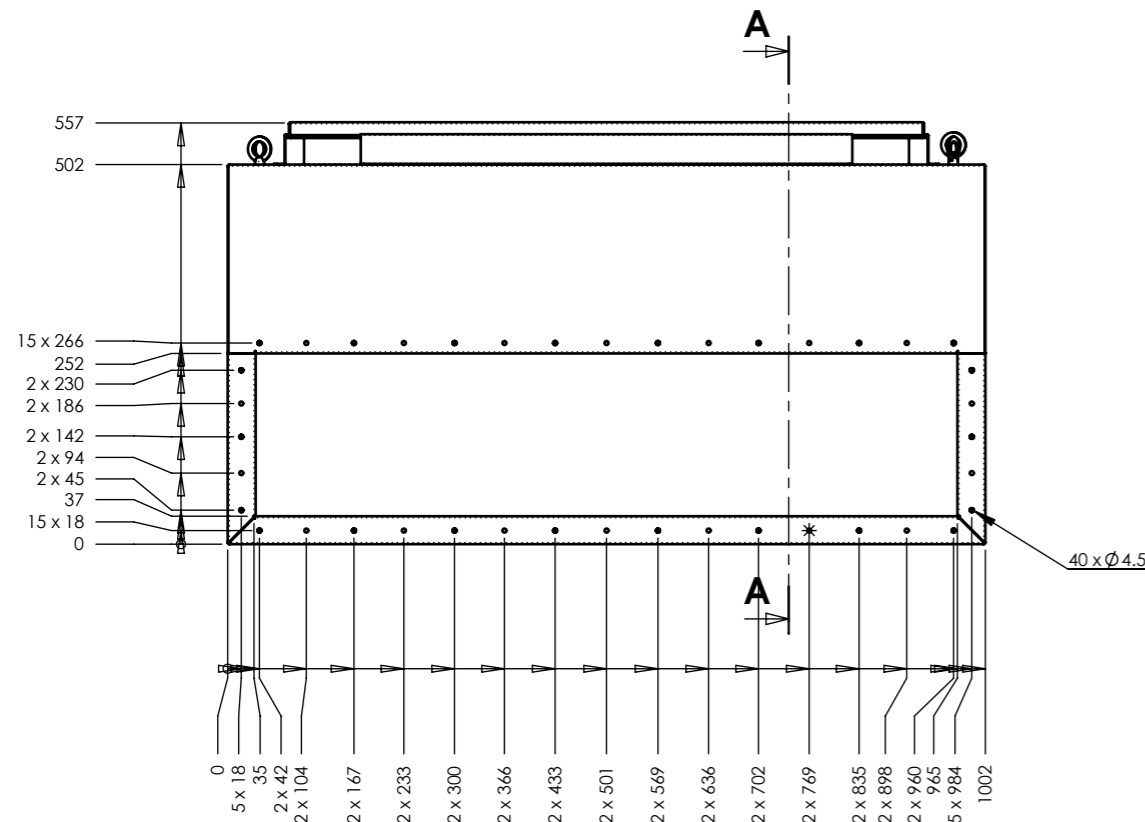


TOP VIEW

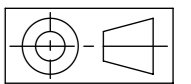
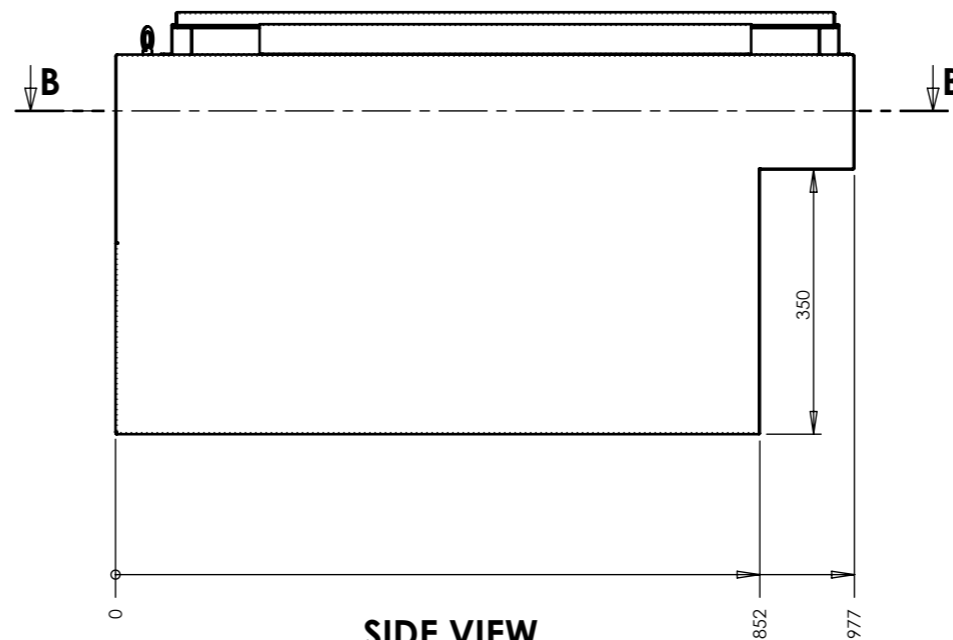
Centre locations for 24 x Ø 3.5 holes on 62-1077 catch mounting centres, distances measured from outside face of vertical flange



PART SECTION A-A



SIDE VIEW



PSI POSEIDON SCIENTIFIC INSTRUMENTS
 17 QUEEN VICTORIA ST, FREMANTLE WA 6160 PH: (08) 9430 6639 FAX (08) 9335 4650

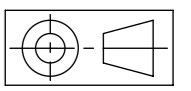
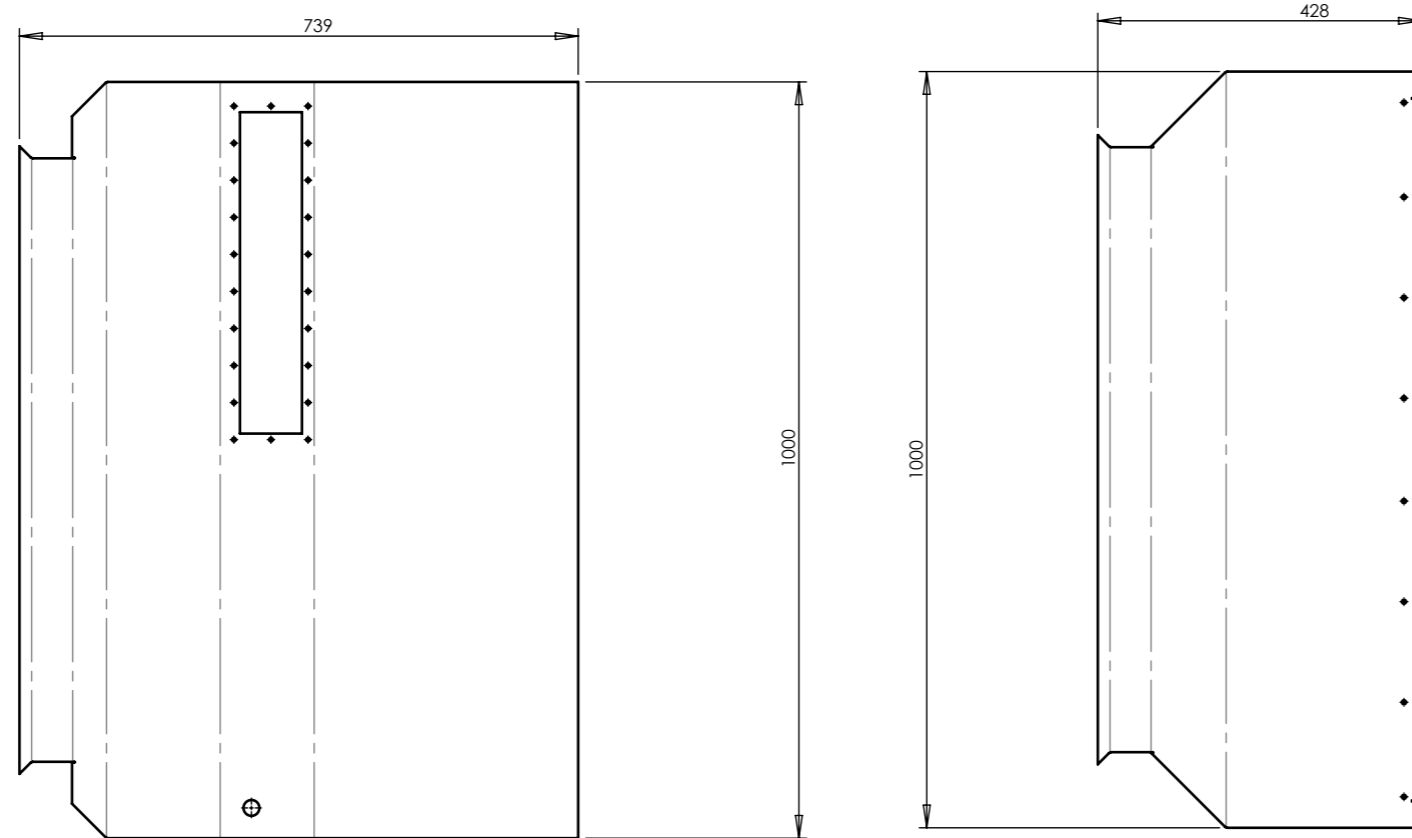
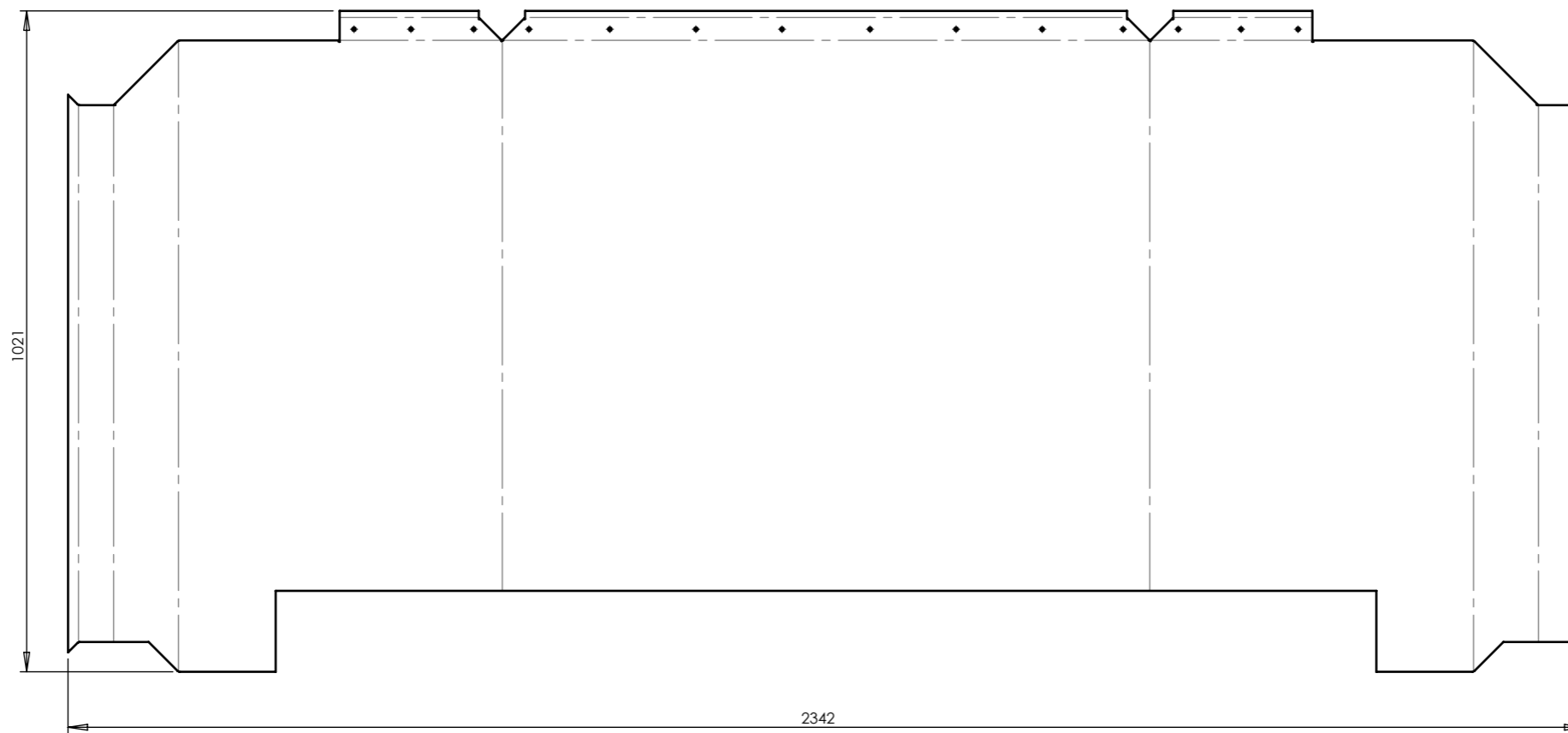
DRAWING NAME
MWAM001 Electronics enclosure sheet metal

| | | | |
|-----------------|---------------------|-------------------------------------------------|----------|
| SIZE A3 | DRAWN BY I MOORE | DRAWING FILENAME. MWAM001 Sheet metal.SLDDRW | |
| SCALE 1:10 | DATE 20/10/2009 | COMPONENT NAME MWAM001 Sheet metal.SLDPRT | REV A |
| SHEET 2 of 7 | | | |

This Drawing is the property of Poseidon Scientific Instruments Pty. Ltd. and is strictly confidential. No part or parts of this document may be reproduced, stored in a retrieval system or transmitted in any form by any means (including electronic mechanical photocopying or otherwise) without the written permission of Poseidon Scientific Instruments Pty. Ltd.

SPECIFICATIONS

| | |
|------------|-------------------------|
| UNITS | MILLIMETERS |
| TOLERANCES | ± 0.1 mm UNLESS STATED |
| MATERIAL | 1.2 mm steel, zinc seal |
| FINISH | See sheet 7 |



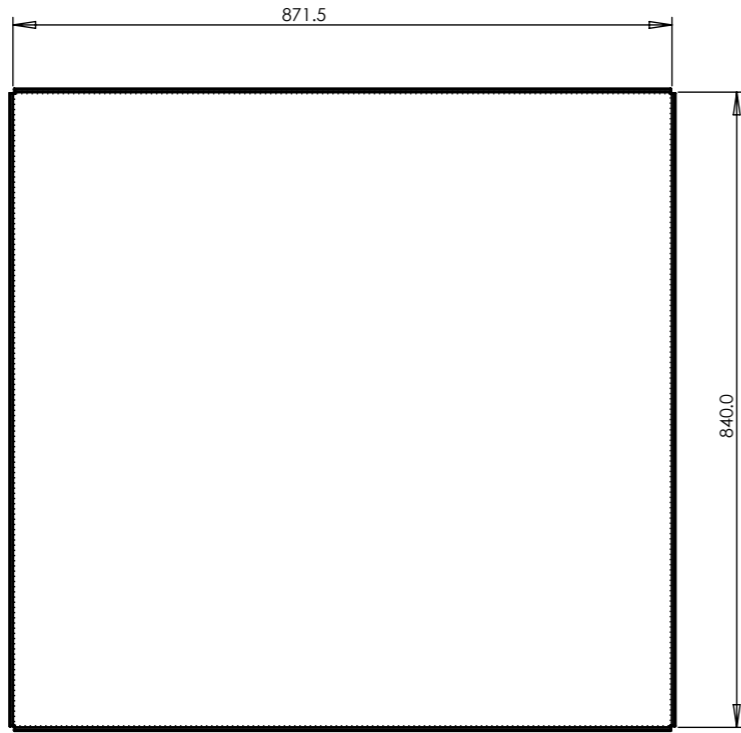
**Developments for suggested three part construction
(k factor 0.5)**

PSI POSEIDON SCIENTIFIC INSTRUMENTS
 17 QUEEN VICTORIA ST, FREMANTLE WA 6160 PH: (08) 9430 6639 FAX (08) 9335 4650

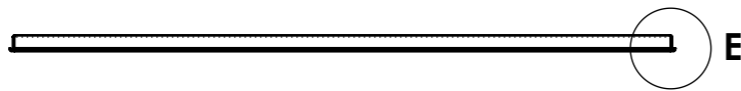
| | | | |
|-----------------------------------------------------------|---------------------|----------------------------------------------------------|----------|
| DRAWING NAME MWAM001 Electronics enclosure sheet metal | | | |
| SIZE A3 | DRAWN BY I MOORE | DRAWING FILENAME. MWAM001 Sheet metal.SLDDRW | |
| SCALE 1:10 | DATE 20/10/2009 | COMPONENT NAME MWAM001_1 Main enclosure part 1.SLDPRT | REV A |
| SHEET 3 of 7 | | | |

This Drawing is the property of Poseidon Scientific Instruments Pty. Ltd. and is strictly confidential. No part or parts of this document may be reproduced, stored in a retrieval system or transmitted in any form by any means (including electronic mechanical photocopying or otherwise) without the written permission of Poseidon Scientific Instruments Pty. Ltd.

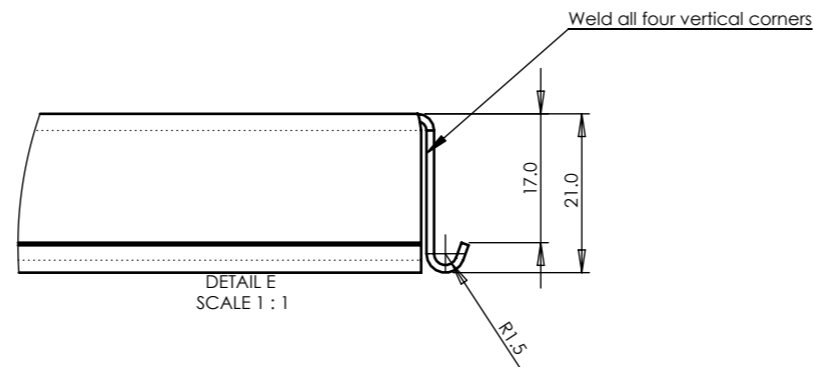
| SPECIFICATIONS | |
|----------------|------------------------|
| UNITS | MILLIMETERS |
| TOLERANCES | ± 0.5 mm UNLESS STATED |
| MATERIAL | 1.2 mm Steel zinc seal |
| FINISH | See sheet 7 |



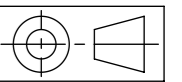
Top View



Side View



DETAIL E
SCALE 1 : 1

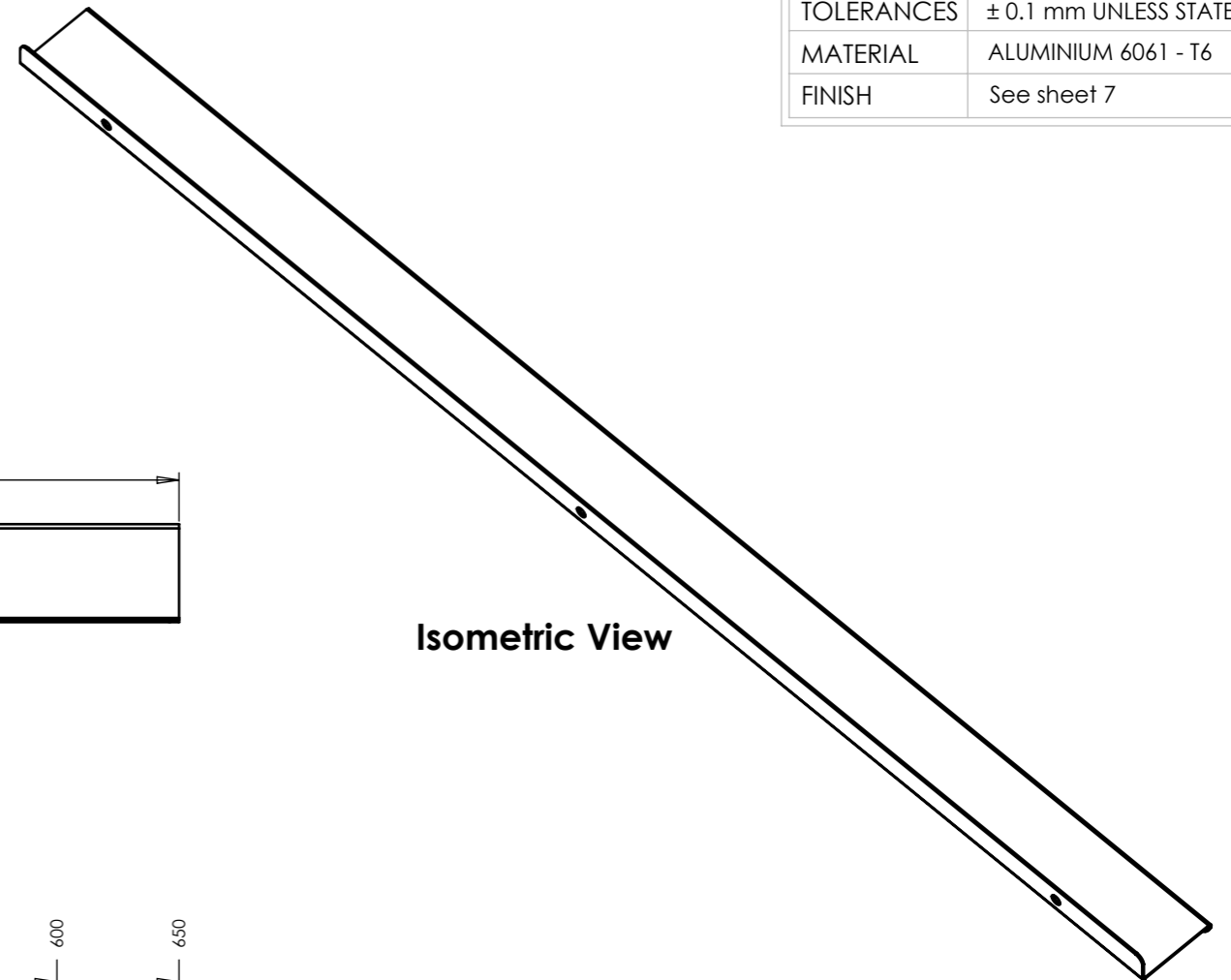


PSI POSEIDON SCIENTIFIC INSTRUMENTS
17 QUEEN VICTORIA ST, FREMANTLE WA 6160 PH: (08) 9430 6639 FAX (08) 9335 4650

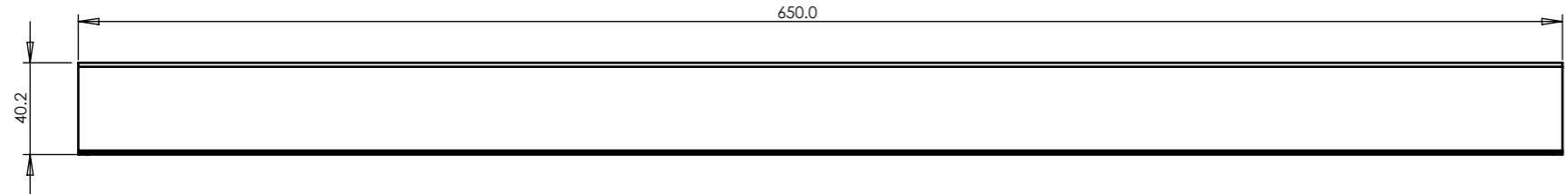
| | | | |
|-------------------------------------|------------|------------------------------|-----|
| DRAWING NAME | | | |
| MWAM001 Electronics enclosure (lid) | | | |
| SIZE | DRAWN BY | DRAWING FILENAME. | |
| A3 | I MOORE | MWAM001 Sheet metal.SLDDRW | |
| SCALE | DATE | COMPONENT NAME | REV |
| 1:10 | 20/10/2009 | MWAM003 Enclosure lid.SLDPRT | A |
| SHEET | | | |
| 4 of 7 | | | |

This Drawing is the property of Poseidon Scientific Instruments Pty. Ltd. and is strictly confidential. No part or parts of this document may be reproduced, stored in a retrieval system or transmitted in any form by any means (including electronic mechanical photocopying or otherwise) without the written permission of Poseidon Scientific Instruments Pty. Ltd.

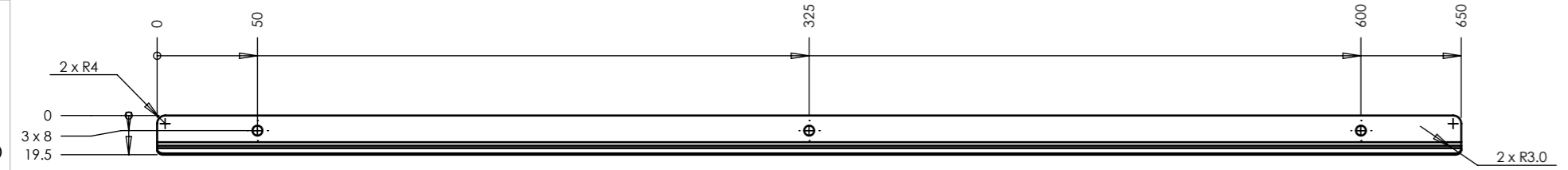
| SPECIFICATIONS | |
|----------------|------------------------|
| UNITS | MILLIMETERS |
| TOLERANCES | ± 0.1 mm UNLESS STATED |
| MATERIAL | ALUMINIUM 6061 - T6 |
| FINISH | See sheet 7 |



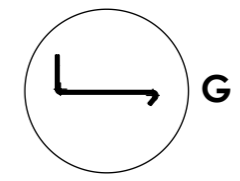
Isometric View



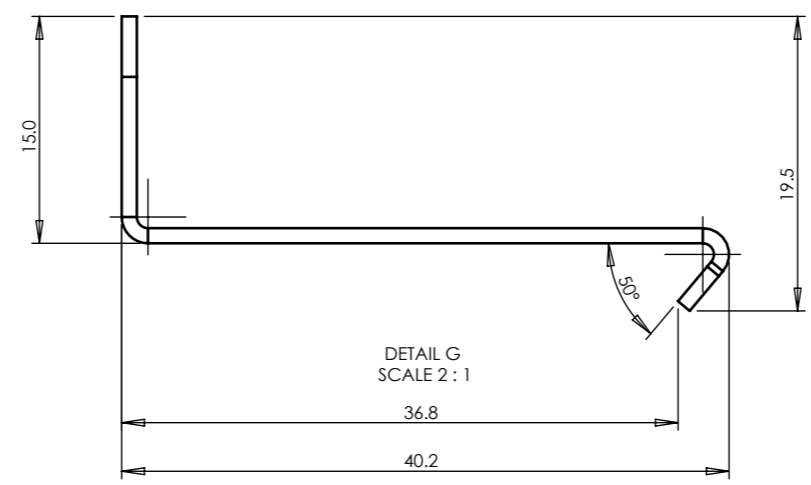
Side View



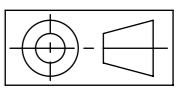
Top View



End View



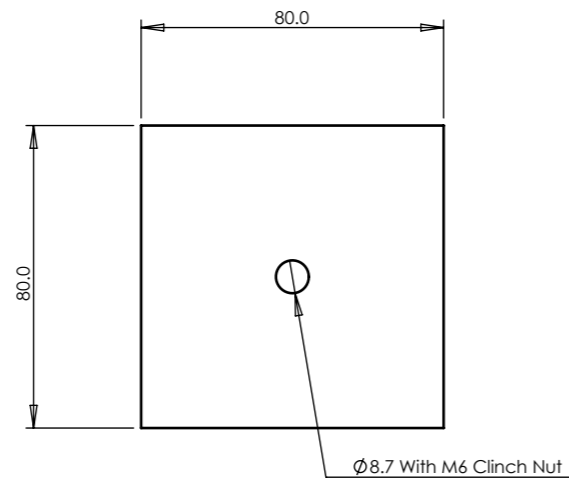
DETAIL G
SCALE 2 : 1



| | | | |
|----------------------------------------------------------------------------------------------------------------------------------------|------------|-------------------------------------|-----|
| POSEIDON SCIENTIFIC INSTRUMENTS <small>17 QUEEN VICTORIA ST, FREMANTLE WA 6160 PH: (08) 9430 6639 FAX (08) 9335 4650</small> | | | |
| DRAWING NAME | | | |
| MWAM034 Lid Tie Down Bracket | | | |
| SIZE | DRAWN BY | DRAWING FILENAME. | |
| A3 | I MOORE | MWAM001 Sheet metal.SLDDRW | |
| SCALE | DATE | COMPONENT NAME | REV |
| 1:3 | 20/10/2009 | MWAM034 Lid Tie Down Bracket.SLDPRT | A |
| SHEET | | | |
| 5 of 7 | | | |

This Drawing is the property of Poseidon Scientific Instruments Pty. Ltd. and is strictly confidential. No part or parts of this document may be reproduced, stored in a retrieval system or transmitted in any form by any means (including electronic mechanical photocopying or otherwise) without the written permission of Poseidon Scientific Instruments Pty. Ltd.

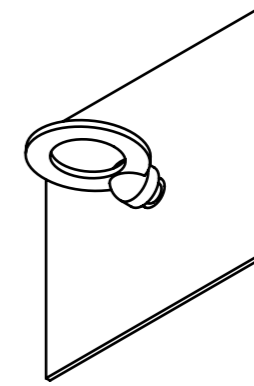
| SPECIFICATIONS | |
|----------------|------------------------|
| UNITS | MILLIMETERS |
| TOLERANCES | ± 0.1 mm UNLESS STATED |
| MATERIAL | ALUMINIUM 6061 - T6 |
| FINISH | See sheet 7 |



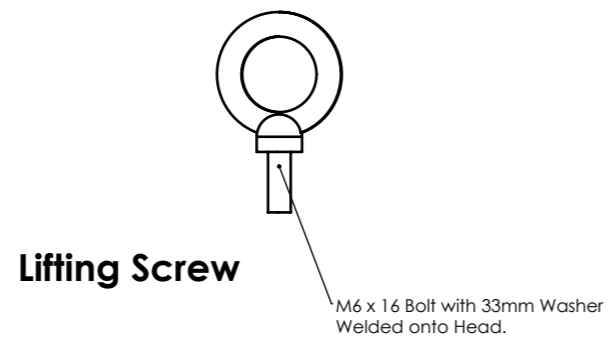
Top View



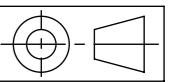
Side View




Isometric View



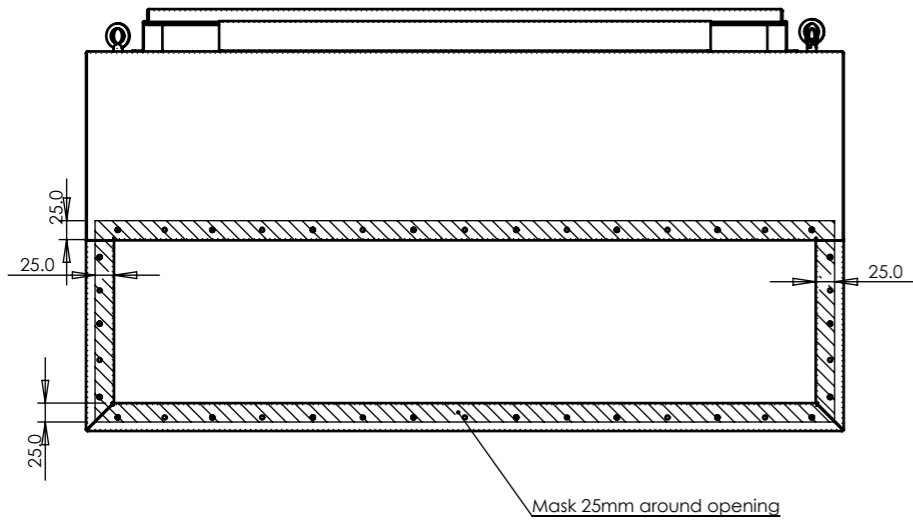
Lifting Screw



| | | | |
|------------------------------------------------------------------------------------------------------------------------------------------------------------------------------------------------------------------------------|------------|------------------------------|-----|
|  POSEIDON SCIENTIFIC INSTRUMENTS <small>17 QUEEN VICTORIA ST, FREMANTLE WA 6160 PH: (08) 9430 6639 FAX (08) 9335 4650</small> | | | |
| DRAWING NAME | | | |
| MWAM035 Lifting Point | | | |
| SIZE | DRAWN BY | DRAWING FILENAME. | |
| A3 | C.Coleman | MWAM001 Sheet metal.SLDDRW | |
| SCALE | DATE | COMPONENT NAME | REV |
| 1:2 | 20/10/2009 | MWAM035 Lifting Point.SLDPRT | A |
| SHEET | | | |
| 6 of 7 | | | |

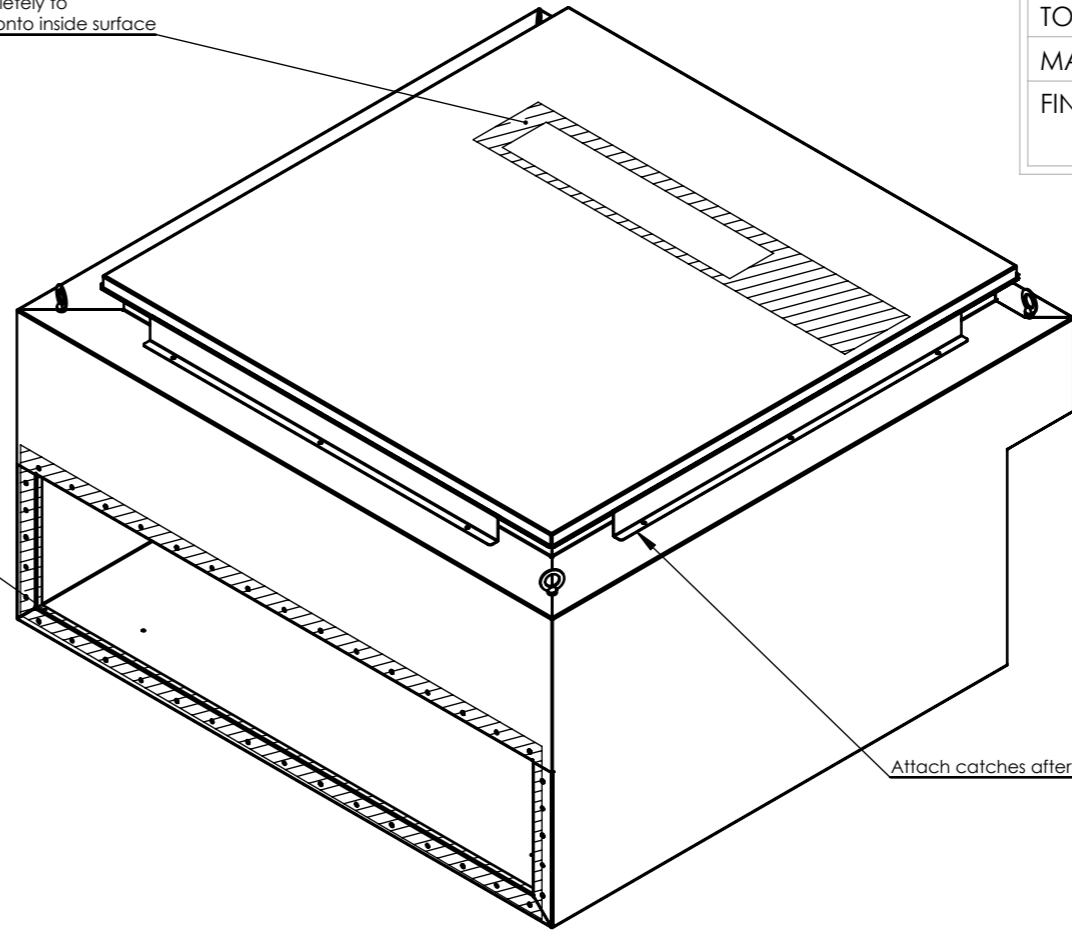
This Drawing is the property of Poseidon Scientific Instruments Pty. Ltd. and is strictly confidential. No part or parts of this document may be reproduced, stored in a retrieval system or transmitted in any form by any means (including electronic mechanical photocopying or otherwise) without the written permission of Poseidon Scientific Instruments Pty. Ltd.

| SPECIFICATIONS | |
|----------------|---------------------------------------------------------------------------|
| UNITS | MILLIMETERS |
| TOLERANCES | ± 0.1 mm UNLESS STATED |
| MATERIAL | 1.2 mm Steel zinc seal |
| FINISH | 1. Phosphate passivate 2. Mask where indicated 3. Powder coat white |



Mask 25mm around opening

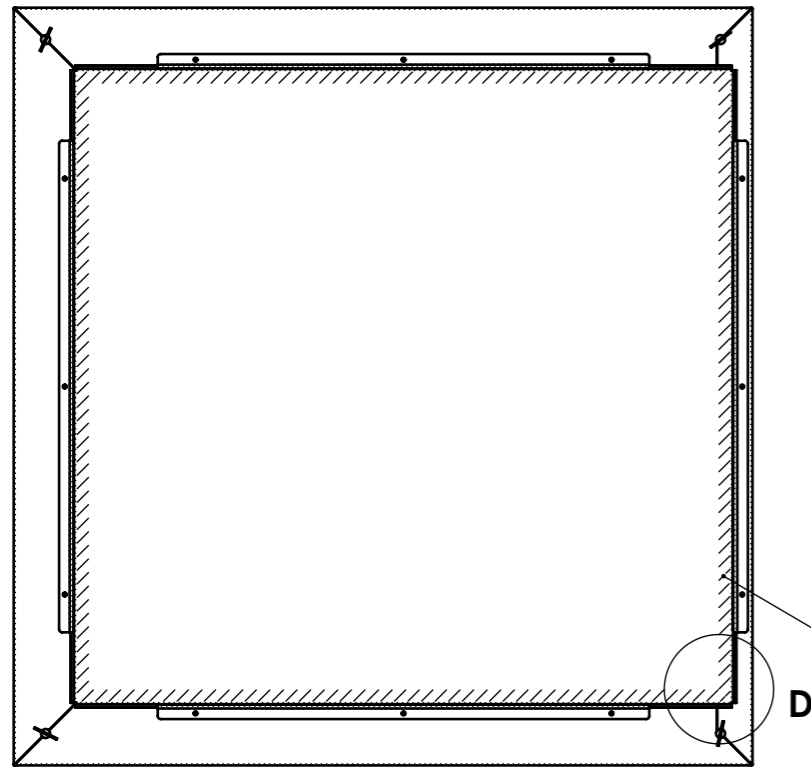
Mask inside horizontal face completely to prevent overspray through holes onto inside surface



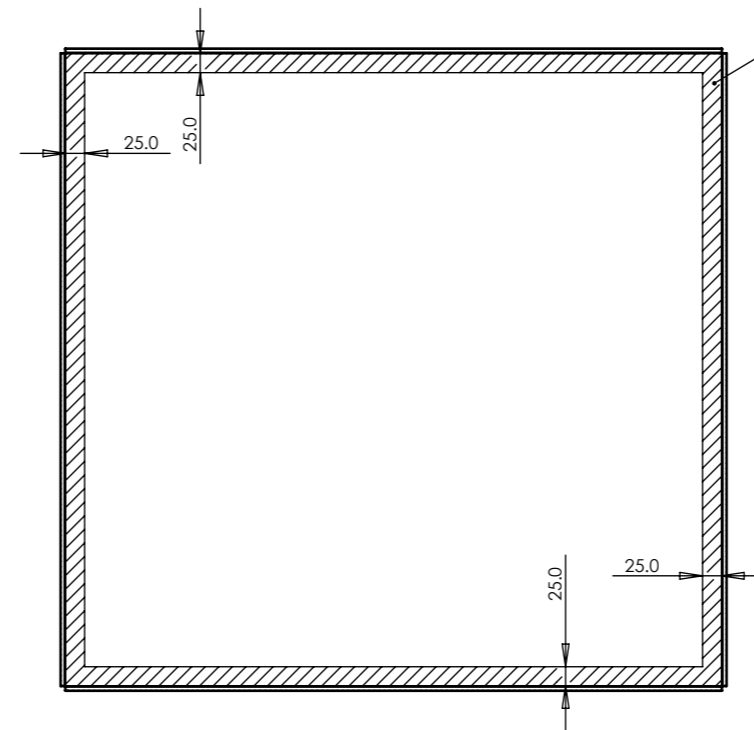
Attach catches after powder coating

Continue mask over inside flange

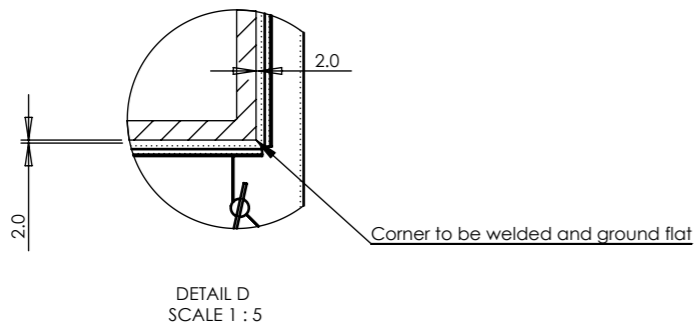
Powder coat must cover inside surface of flange. Underside does not require powder coating. Mask hatched area to prevent overspray on underside.



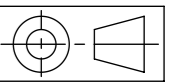
Mask flat upper surface to within 2mm of outer edge



Lid Bottom View



DETAIL D
SCALE 1 : 5



| | | | |
|----------------------------------------------------------------------------------------------------------------------------------------|------------|----------------------------|-----|
| POSEIDON SCIENTIFIC INSTRUMENTS <small>17 QUEEN VICTORIA ST, FREMANTLE WA 6160 PH: (08) 9430 6639 FAX (08) 9335 4650</small> | | | |
| DRAWING NAME | | | |
| MWAM001 Electronics enclosure sheet metal | | | |
| SIZE | DRAWN BY | DRAWING FILENAME. | |
| A3 | I MOORE | MWAM001 Sheet metal.SLDDRW | |
| SCALE | DATE | COMPONENT NAME | REV |
| 1:10 | 20/10/2009 | MWAM001 Sheet metal.SLDPRT | A |
| SHEET | | | |
| 7 of 7 | | | |