

MWA PRODUCTION JIG



NUMBER: MWA JIG-007

DATE CREATED: 30/7/2010

PRODUCT: MWA Receiver

CREATED BY: C.Coleman

DESCRIPTION: MWA Octal Temp Sensor Voltage and Current Draw Jig.

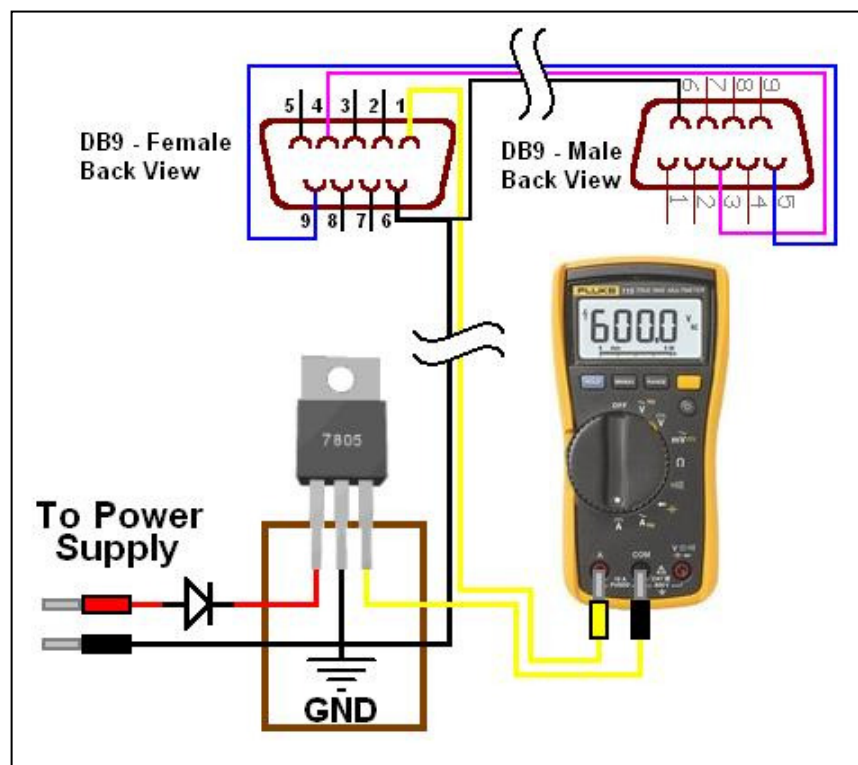
IMAGE #1:



IMAGE #2:



WIRING DIAGRAM:



NOTES:

Original description for reference:

1. A cable with a 5V reg and diode protection to connect a bench supply to the D9 connector so $V_{in} = 5V$.
2. Also connect an I2C2PC dongle cable to this connector.
3. D9 connections:
4. Pin 5 = output of regulator via two flying ith banana plugs to allow insertion of multimeter for current monitoring
5. Pin 9 = GND of PSU + wire 3 of dongle cable
6. Pin 2 = SCL = wire 4 of dongle cable
7. Pin 6 = SDA = wire 1 of dongle cable

CALIBRATION HISTORY:

No Calibration Required.