

# MWA PRODUCTION JIG



NUMBER: MWA JIG-001

DATE CREATED: 27/7/2010

PRODUCT: MWA Receiver

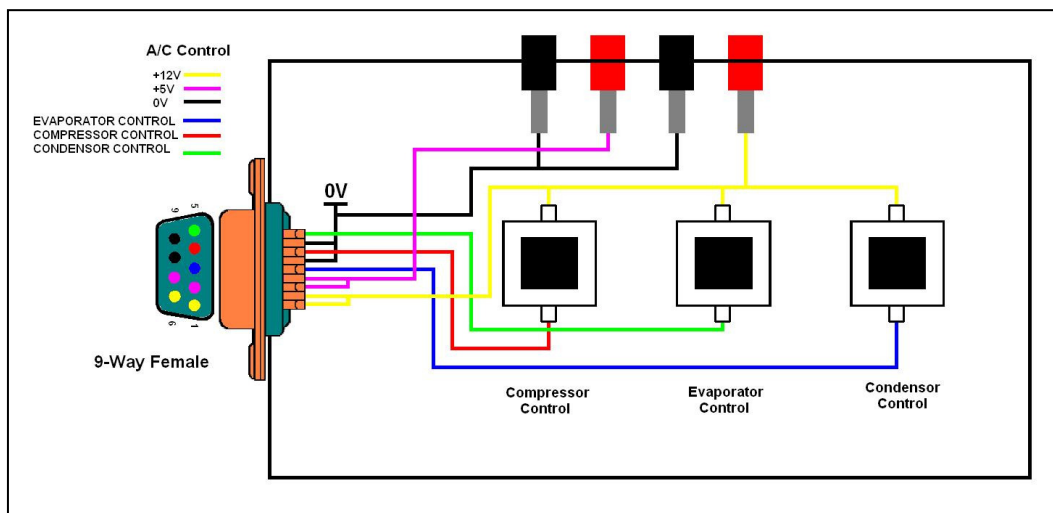
CREATED BY: C.Coleman

DESCRIPTION: MWA AC Control Box, Used to switch individual AC components on and off. Used with MWA JIG-002.

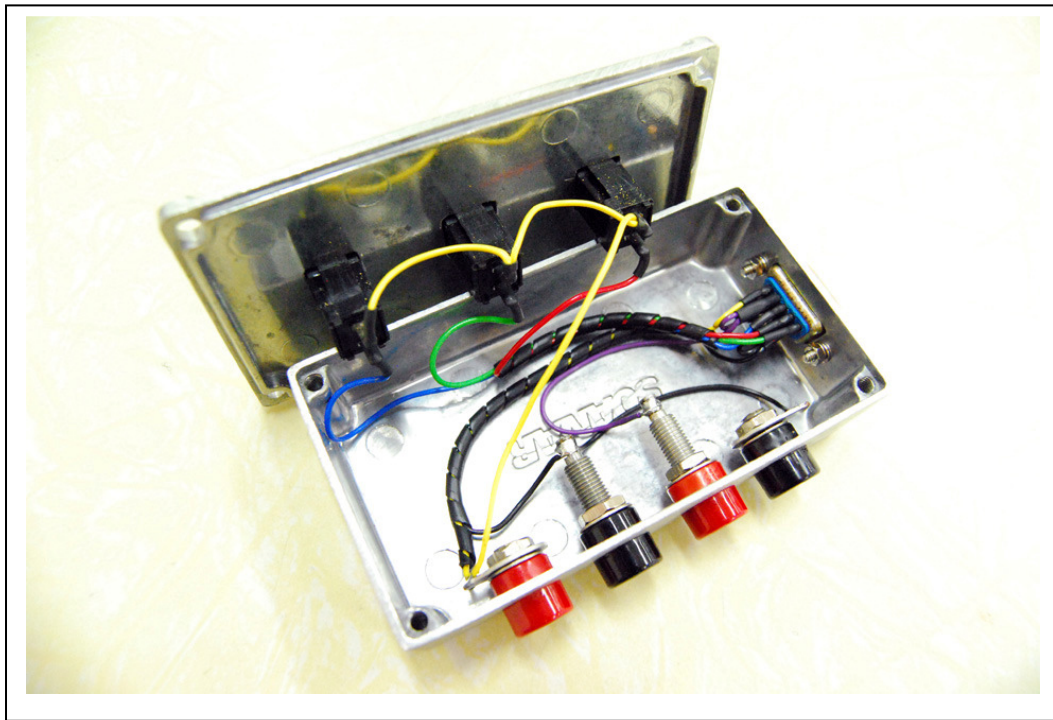
IMAGES:



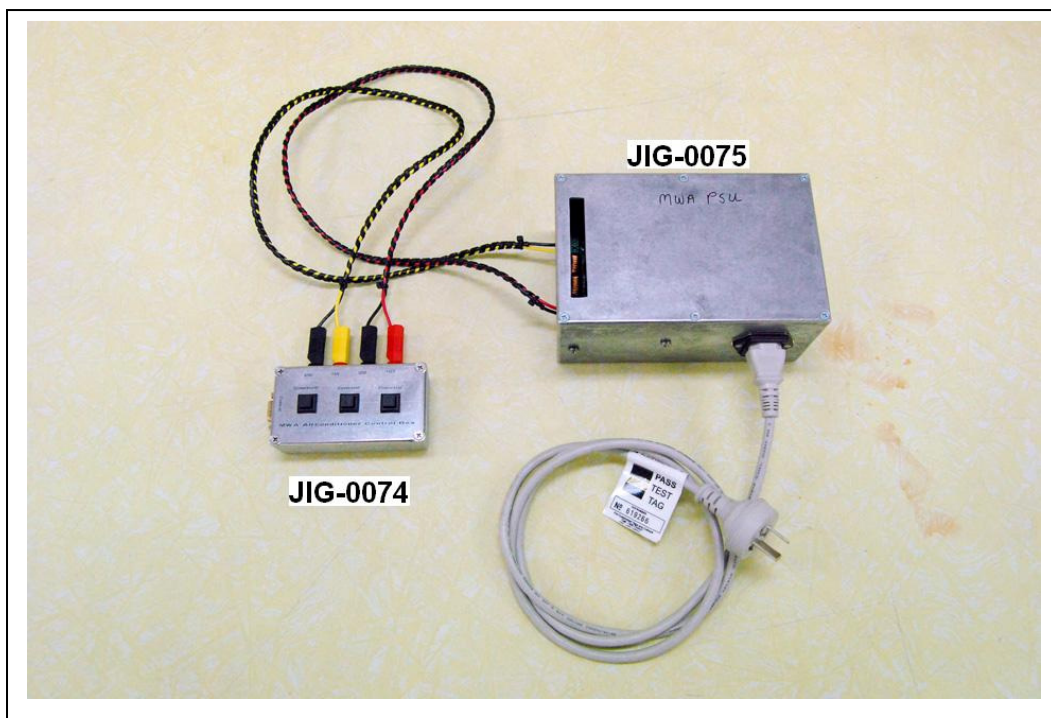
WIRING DIAGRAM:



WIRING IMAGE:



ASSEMBLED JIG:



CALIBRATION HISTORY:

No Calibration Required.