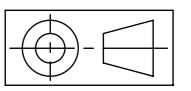
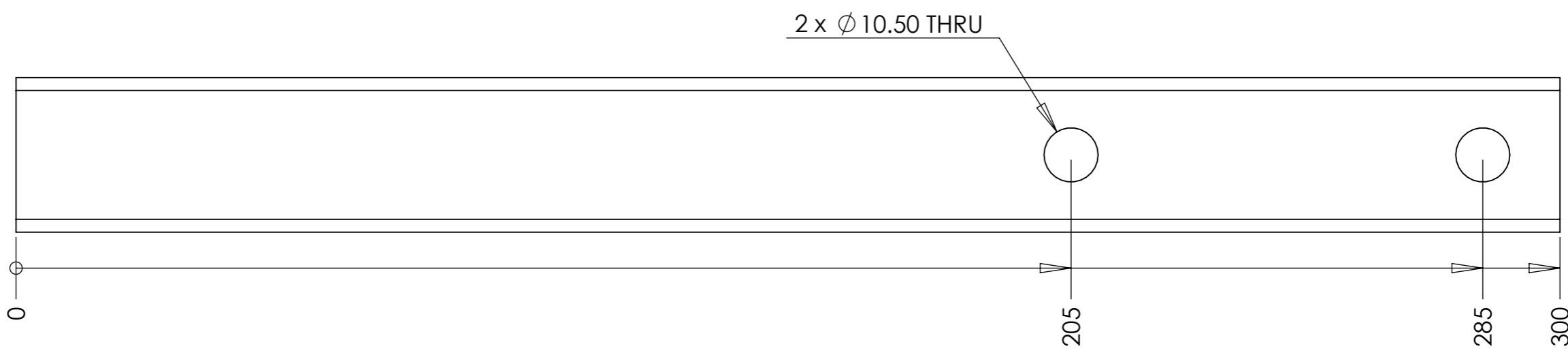
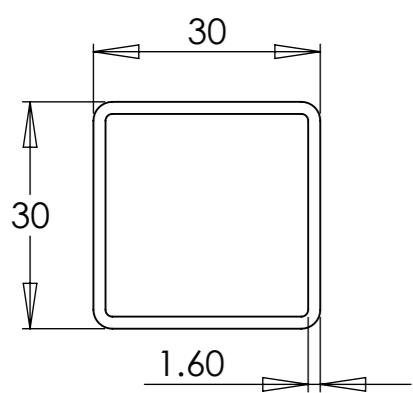
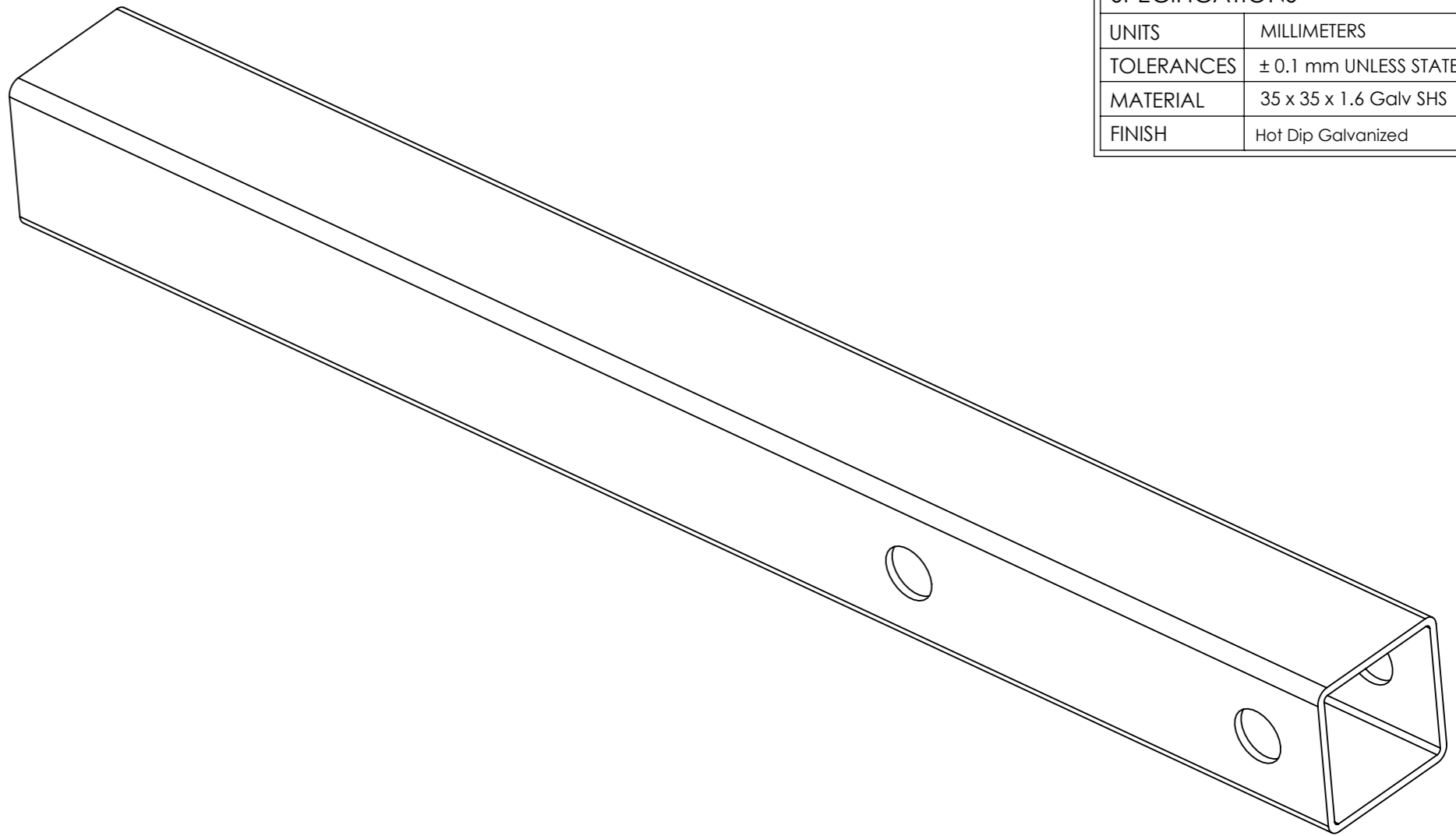



This Drawing is the property of Poseidon Scientific Instruments Pty. Ltd. and is strictly confidential. No part or parts of this document may be reproduced, stored in a retrieval system or transmitted in any form by any means (including electronic mechanical photocopying or otherwise) without the written permission of Poseidon Scientific Instruments Pty. Ltd.

SPECIFICATIONS	
UNITS	MILLIMETERS
TOLERANCES	± 0.1 mm UNLESS STATED
MATERIAL	35 x 35 x 1.6 Galv SHS
FINISH	Hot Dip Galvanized



 <b>POSEIDON SCIENTIFIC INSTRUMENTS</b> <small>17 QUEEN VICTORIA ST, FREMANTLE WA 6160 PH: (08) 9430 6639 FAX (08) 9335 4650</small>			
DRAWING NAME			
Caster Bracket			
SIZE	DRAWN BY	DRAWING FILENAME.	
A3	C.Coleman	MWAM052 Caster Bracket.SLDDRW	
SCALE	DATE	COMPONENT NAME	REV
1:1	27/01/2011	MWAM052 Caster Bracket.SLDPRT	A
SHEET			
1 of 1			