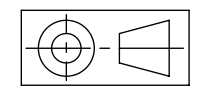
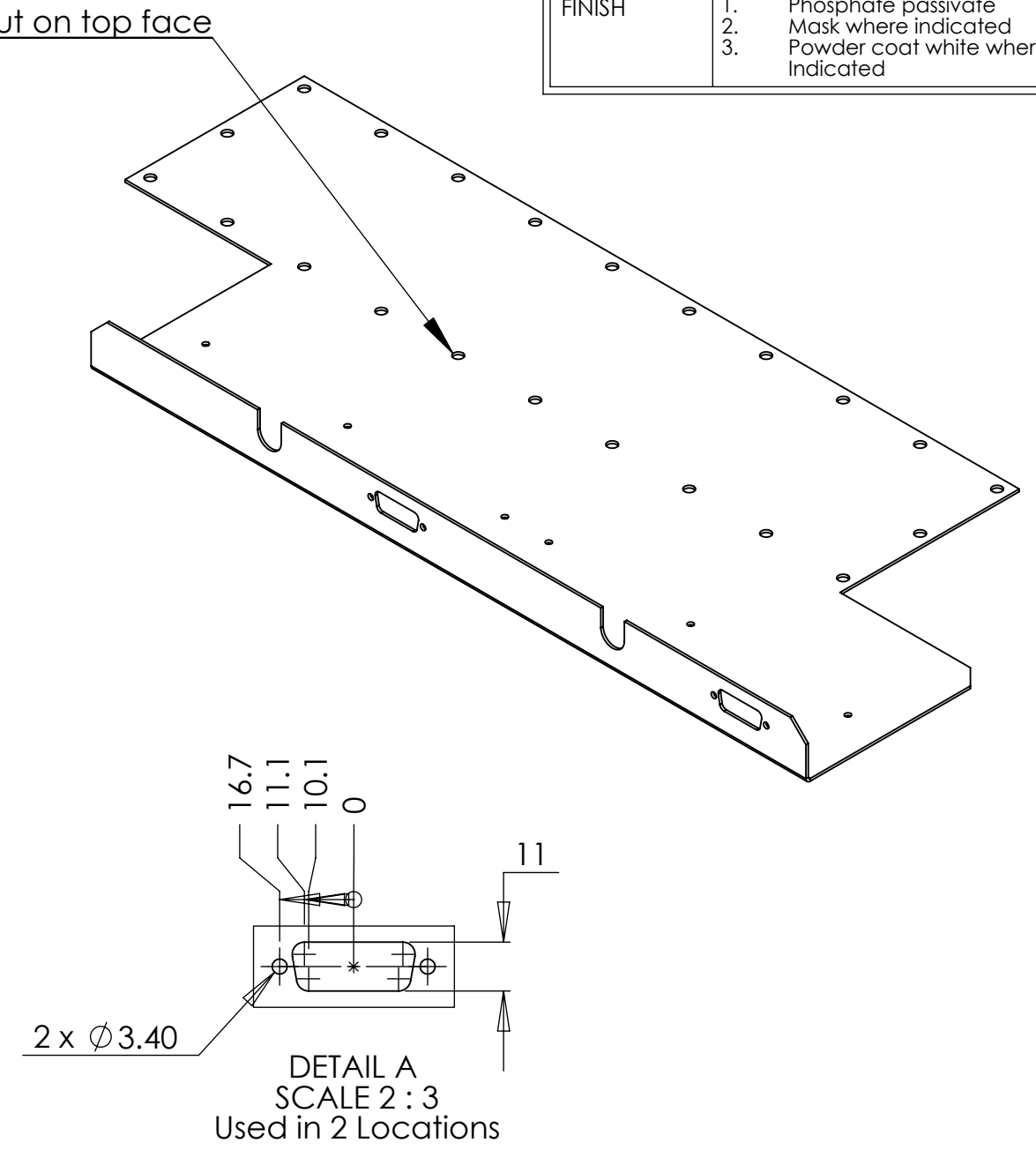
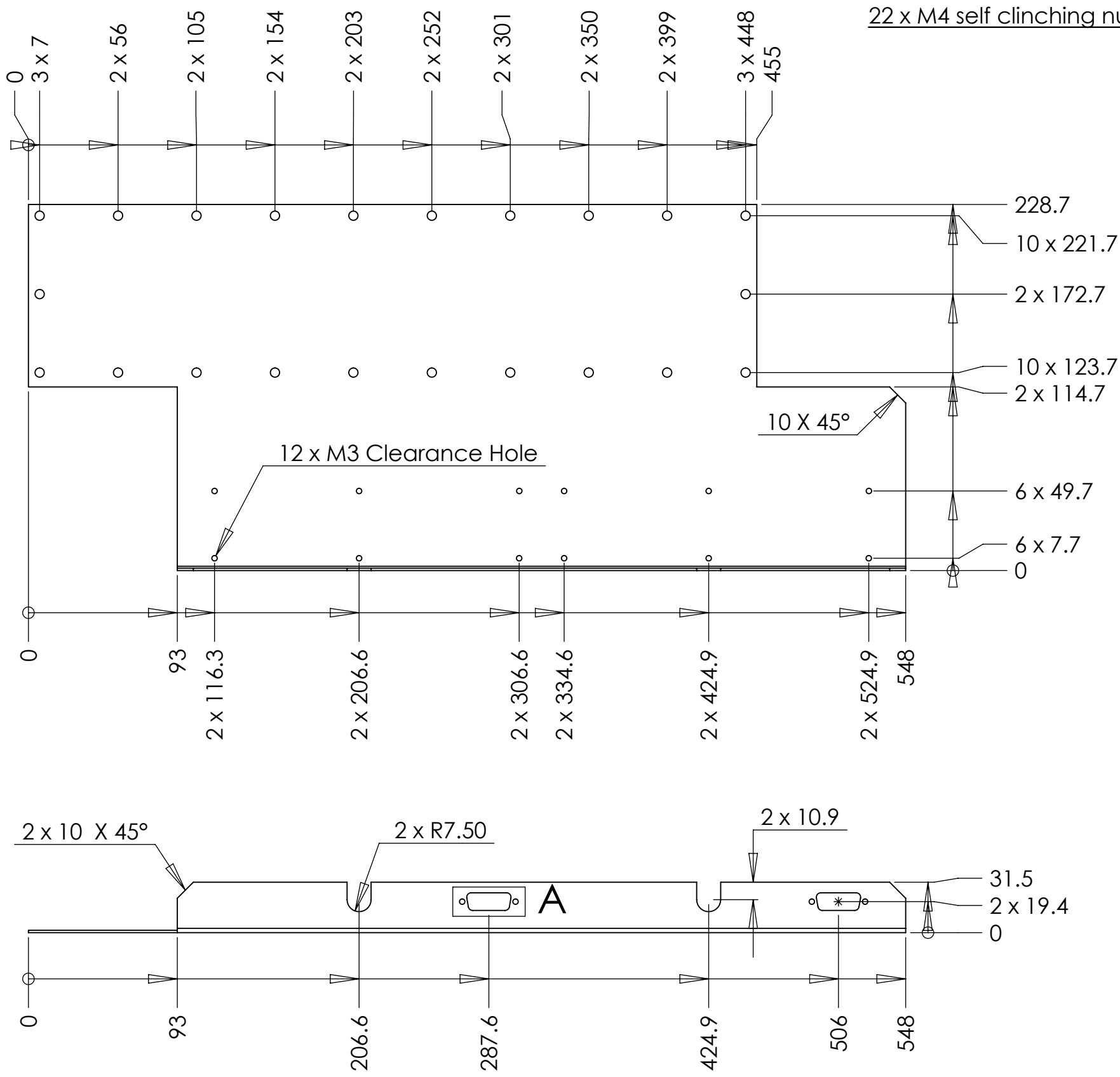



This Drawing is the property of Poseidon Scientific Instruments Pty. Ltd. and is strictly confidential. No part or parts of this document may be reproduced, stored in a retrieval system or transmitted in any form by any means (including electronic mechanical photocopying or otherwise) without the written permission of Poseidon Scientific Instruments Pty. Ltd.

SPECIFICATIONS	
UNITS	MILLIMETERS
TOLERANCES	± 0.1 mm UNLESS STATED
MATERIAL	1mm steel, zinc seal
FINISH	1. Phosphate passivate 2. Mask where indicated 3. Powder coat white where indicated



 <b>POSEIDON SCIENTIFIC INSTRUMENTS</b> <small>17 QUEEN VICTORIA ST, FREMANTLE WA 6160 PH: (08) 9430 6639 FAX (08) 9335 4650</small>			
DRAWING NAME			
MWAM047 Flat Connector Panel			
SIZE	DRAWN BY	DRAWING FILENAME.	
A3	C.Coleman	MWAM047 Flat Connector panel.SLDDRW	
SCALE	DATE	COMPONENT NAME	REV
1:3	2/07/2010	MWAM047 Flat Connector panel.SLDPRT	A
SHEET			
1 of 2			

This Drawing is the property of Poseidon Scientific Instruments Pty. Ltd. and is strictly confidential. No part or parts of this document may be reproduced, stored in a retrieval system or transmitted in any form by any means (including electronic mechanical photocopying or otherwise) without the written permission of Poseidon Scientific Instruments Pty. Ltd.

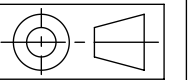
SPECIFICATIONS	
UNITS	MILLIMETERS
TOLERANCES	± 0.1 mm UNLESS STATED
MATERIAL	1mm steel, zinc seal
FINISH	1. Phosphate passivate 2. Mask where indicated 3. Powder coat white where indicated

Mask Hatched Area, Reduce Over Spray Through Holes

20mm from all edges

Powder Coat White

**MWAM047 Flat Connector Panel Bottom Face**



**PSI** POSEIDON SCIENTIFIC INSTRUMENTS  
 17 QUEEN VICTORIA ST, FREMANTLE WA 6160 PH: (08) 9430 6639 FAX (08) 9335 4650

DRAWING NAME MWAM047 Flat Connector Panel			
SIZE A3	DRAWN BY C.Coleman	DRAWING FILENAME. MWAM047 Flat Connector panel.SLDDRW	
SCALE 1:2	DATE 2/07/2010	COMPONENT NAME MWAM047 Flat Connector panel.SLDPR	REV A
SHEET 2 of 2			