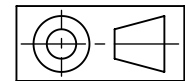
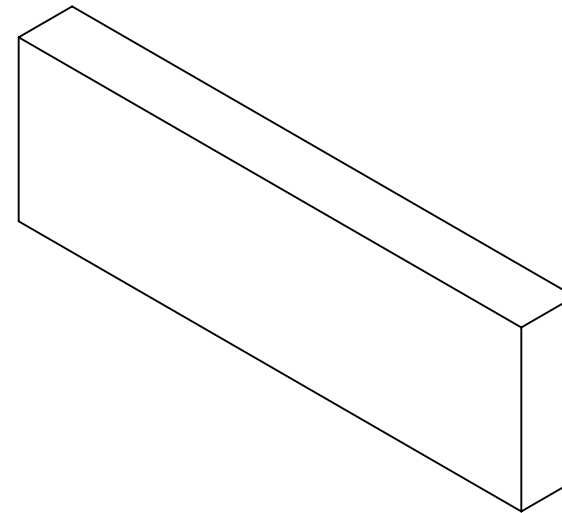
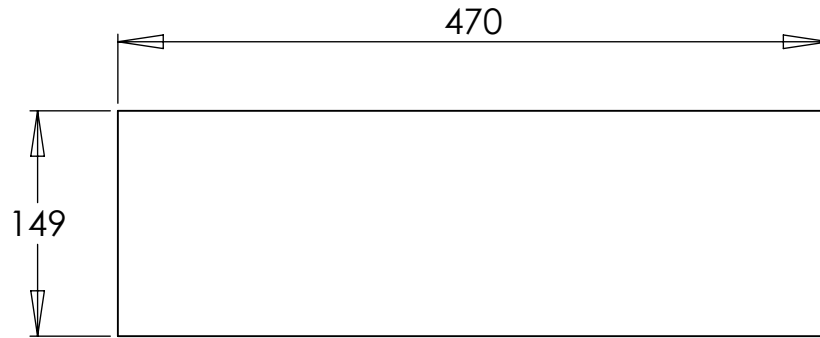


This Drawing is the property of Poseidon Scientific Instruments Pty. Ltd. and is strictly confidential. No part or parts of this document may be reproduced, stored in a retrieval system or transmitted in any form by any means (including electronic mechanical photocopying or otherwise) without the written permission of Poseidon Scientific Instruments Pty. Ltd.

SPECIFICATIONS	
UNITS	MILLIMETERS
TOLERANCES	± 0.5 mm UNLESS STATED
MATERIAL	Extruded Polystyrene Sheets (ISO BOARD)



Ψ PSI		POSEIDON SCIENTIFIC INSTRUMENTS	
		<small>1/95 QUEEN VICTORIA ST., FREMANTLE WA 6160. PHONE (08) 9430 6639 FAX (08) 9335 4650</small>	
DRAWING NAME			
Cable Insulation Section			
SIZE	DRAWN BY	DRAWING FILENAME	
A4	C.Coleman	MWAM046 Cable Insulation Section.SLDDRW	
SCALE	DATE	COMPONENT FILENAME	REV
1:5	25/01/2011	MWAM046 Cable Insulation Section.SLDPRT	A
SHEET			
1 of 1			