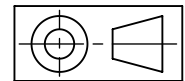
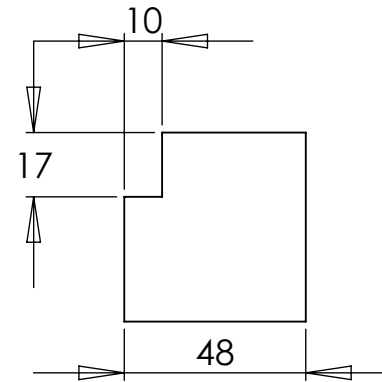
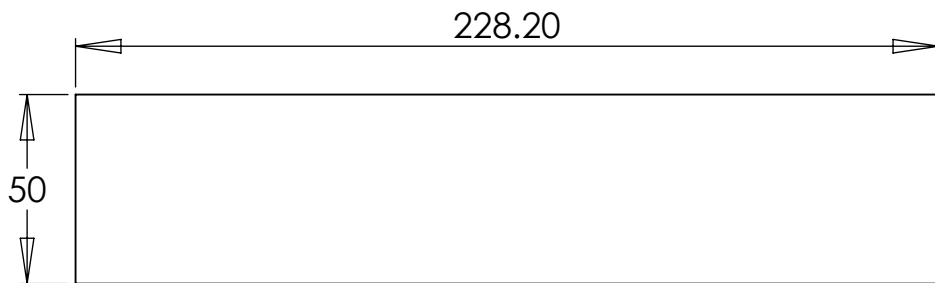
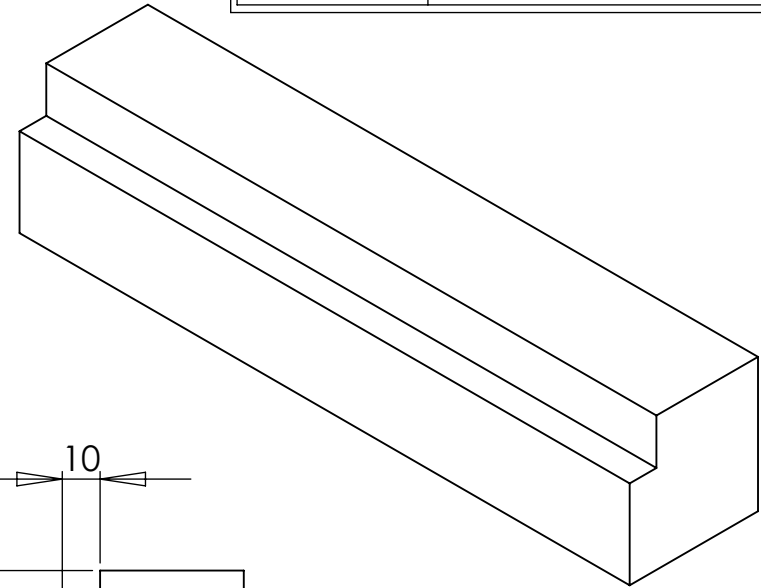
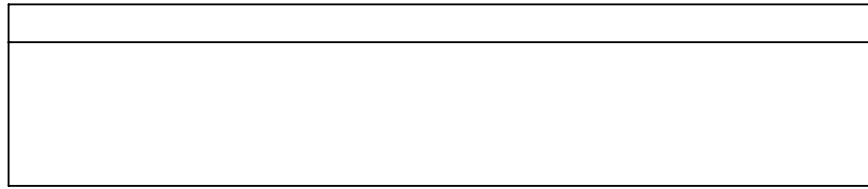



This Drawing is the property of Poseidon Scientific Instruments Pty. Ltd. and is strictly confidential. No part or parts of this document may be reproduced, stored in a retrieval system or transmitted in any form by any means (including electronic mechanical photocopying or otherwise) without the written permission of Poseidon Scientific Instruments Pty. Ltd.

| SPECIFICATIONS | |
|----------------|---|
| UNITS | Millimeters |
| TOLERANCES | ± 0.1 mm Unless stated |
| MATERIAL | Extruded Polystyrene Sheets (ISO BOARD) |



| | | | |
|---|------------|--|-----|
|  POSEIDON SCIENTIFIC INSTRUMENTS <small>1/95 QUEEN VICTORIA ST, FREMANTLE WA 6160. PHONE (08) 9430 6639 FAX (08) 9335 4650</small> | | | |
| DRAWING NAME | | | |
| Corner Insulation Segment | | | |
| SIZE | DRAWN BY | DRAWING FILENAME | |
| A4 | C.Coleman | MWAM045 Corner Insulation Segment.SLDDRW | |
| SCALE | DATE | COMPONENT FILENAME | REV |
| 1:2 | 25/01/2011 | MWAM045 Corner Insulation Segment.SLDPRT | A |
| SHEET | | | |
| 1 of 1 | | | |