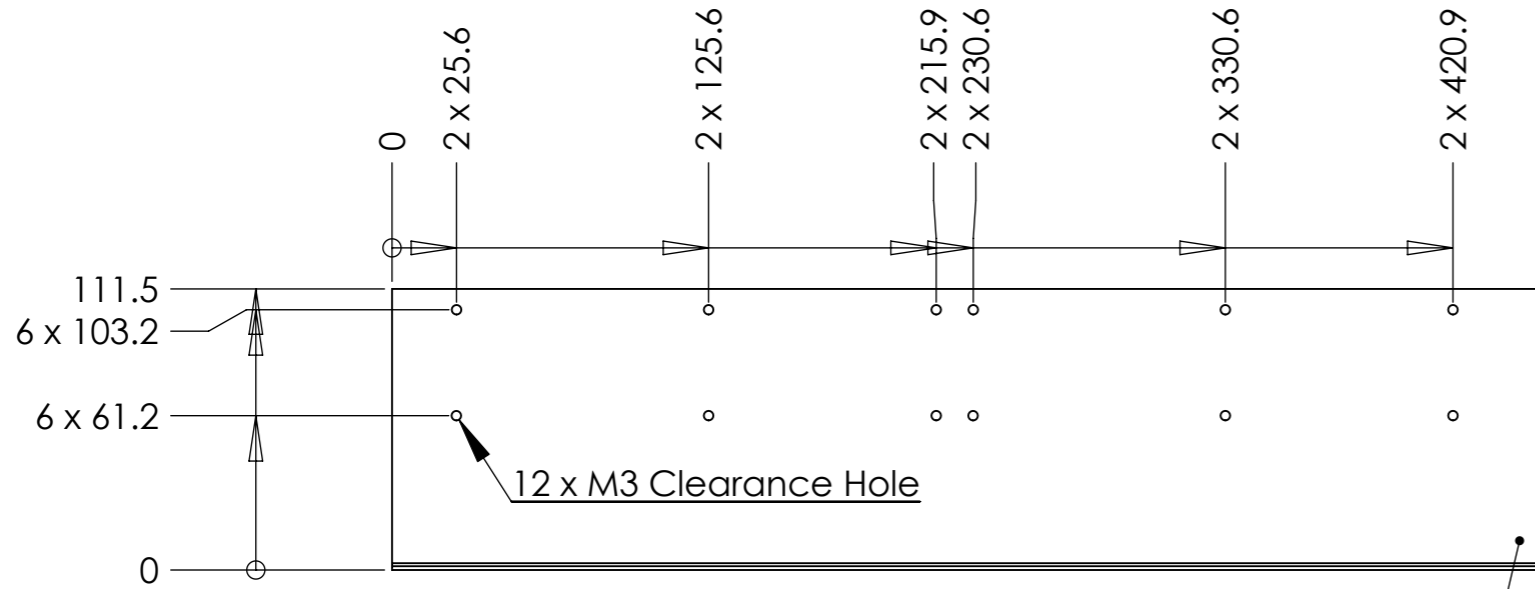
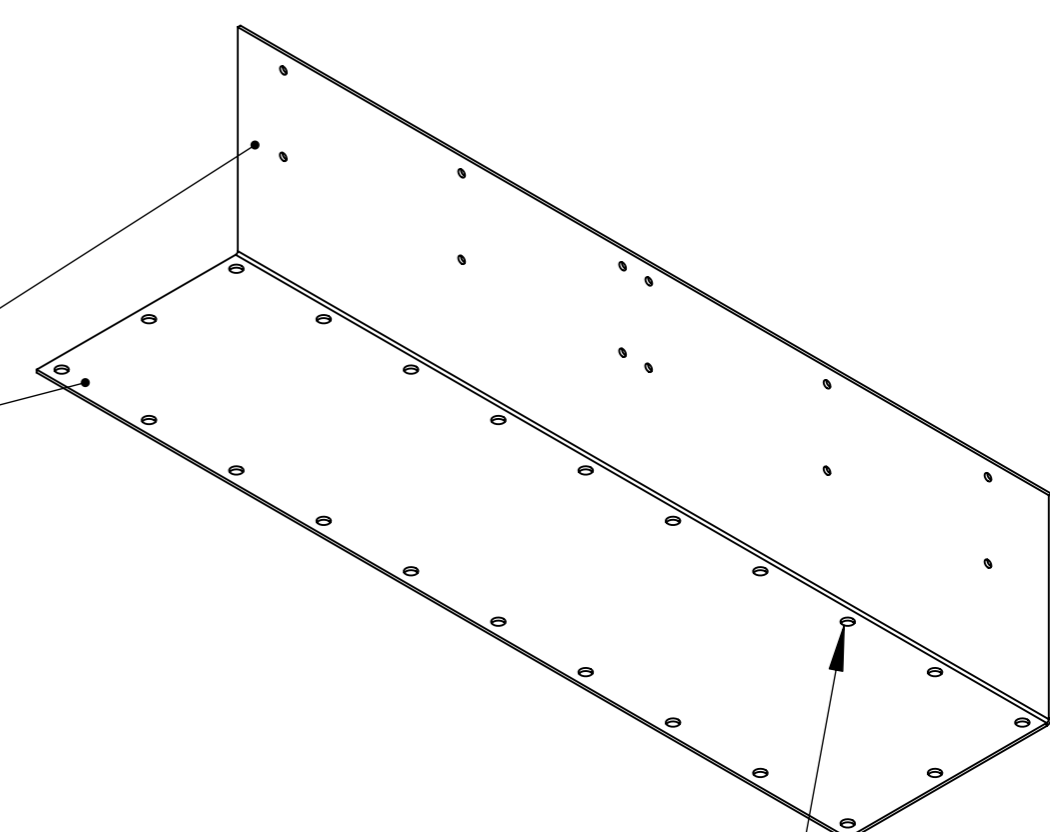


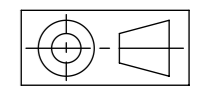
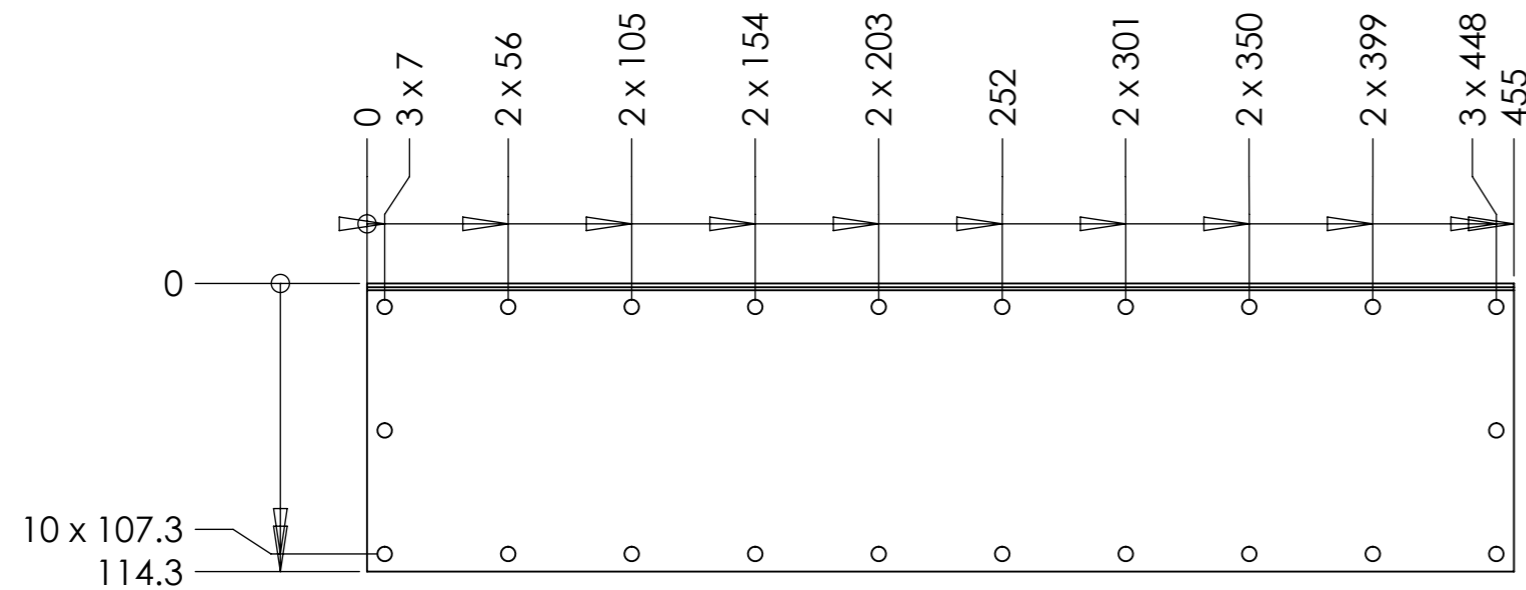
SPECIFICATIONS	
UNITS	MILLIMETERS
TOLERANCES	± 1 mm UNLESS STATED
MATERIAL	1mm steel, zinc seal
FINISH	1. Phosphate passivate 2. Mask where indicated 3. Powder coat white on external surfaces




NOTE: These faces are not to be powder coated

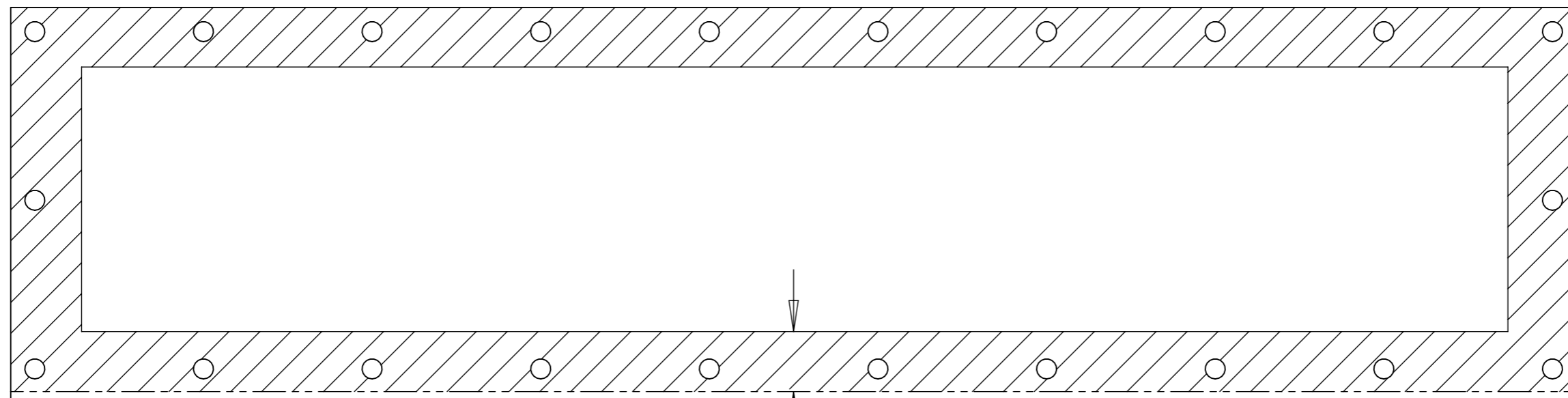


22 x M4 self clinching nut on internal face

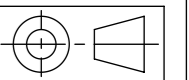


 POSEIDON SCIENTIFIC INSTRUMENTS <small>17 QUEEN VICTORIA ST, FREMANTLE WA 6160 PH: (08) 9430 6639 FAX (08) 9335 4650</small>			
DRAWING NAME			
MWA Blank Connector Panel			
SIZE	DRAWN BY	DRAWING FILENAME.	
A3	C.Coleman	MWAM044 Blank Connector panel.SLDDRW	
SCALE	DATE	COMPONENT NAME	REV
1:3	27/04/2010	MWAM044 Blank Connector panel.SLDPRT	A
SHEET			
1 of 2			


SPECIFICATIONS	
UNITS	MILLIMETERS
TOLERANCES	± 1 mm UNLESS STATED
MATERIAL	1mm steel, zinc seal
FINISH	1. Phosphate passivated 2. Mask where indicated 3. Powder coat white on external surfaces



Mask 20mm wide (typ) all around



NOTE: Mask holes from opposite side to prevent over spray

 POSEIDON SCIENTIFIC INSTRUMENTS <small>17 QUEEN VICTORIA ST, FREMANTLE WA 6160 PH: (08) 9430 6639 FAX (08) 9335 4650</small>			
DRAWING NAME			
MWA Blank Connector Panel			
SIZE	DRAWN BY	DRAWING FILENAME.	
A3	C.Coleman	MWAM044 Blank Connector panel.SLDDRW	
SCALE	DATE	COMPONENT NAME	REV
2:3	27/04/2010	MWAM044 Blank Connector panel.SLDPRT	A
SHEET			
2 of 2			