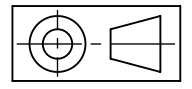
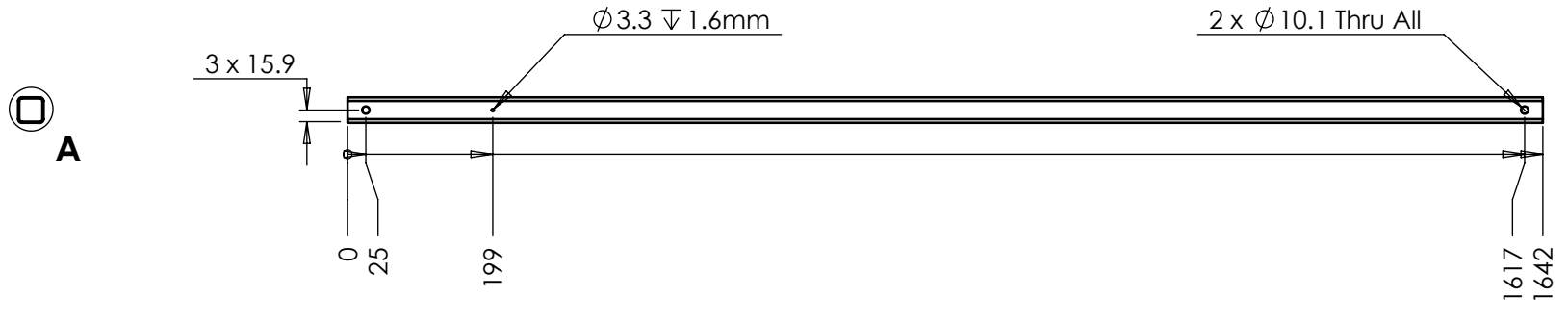


SPECIFICATIONS	
UNITS	Millimeters
TOLERANCES	± 0.1 mm Unless stated
MATERIAL	35 x 35 x 1.6 Galv SHS
MACHINED FINISH	None Specified
COMPONENT FINISH	Hot Dip Galvanized



Ψ PSI POSEIDON SCIENTIFIC INSTRUMENTS
 17 QUEEN VICTORIA ST, FREMANTLE WA 6160 PH: (08) 9430 6639 FAX (08) 9335 4650

DRAWING NAME
MWAM041 Mounting Bar

SIZE A4	DRAWN BY C.Coleman	DRAWING FILENAME MWAM041 Mounting Bar.SLDDRW	
SCALE 1:10	DATE 27/01/2011	COMPONENT FILENAME MWAM041 Mounting Bar.SLDPRT	REV B
SHEET 1 of 1			

REVISIONS				
ZONE	REV.	DESCRIPTION	DATE	APPROVED
ALL	B	Changed SHS from 30x30x1.6 to 35x35x1.6	27/1/2011	