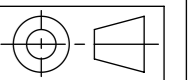
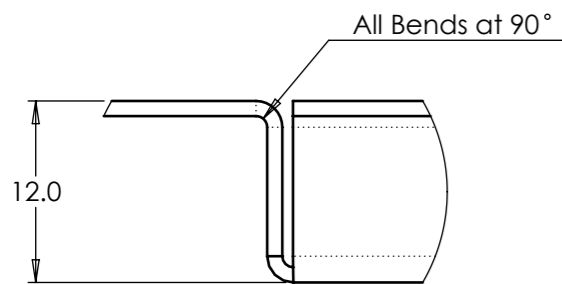
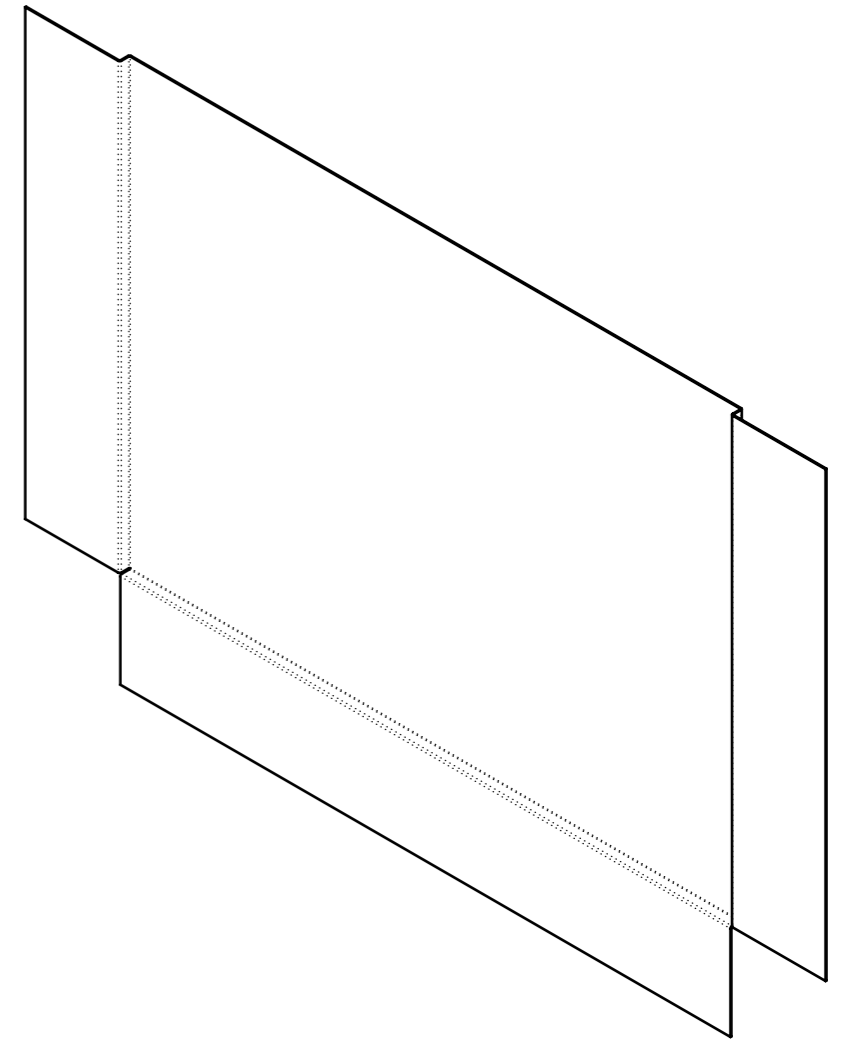
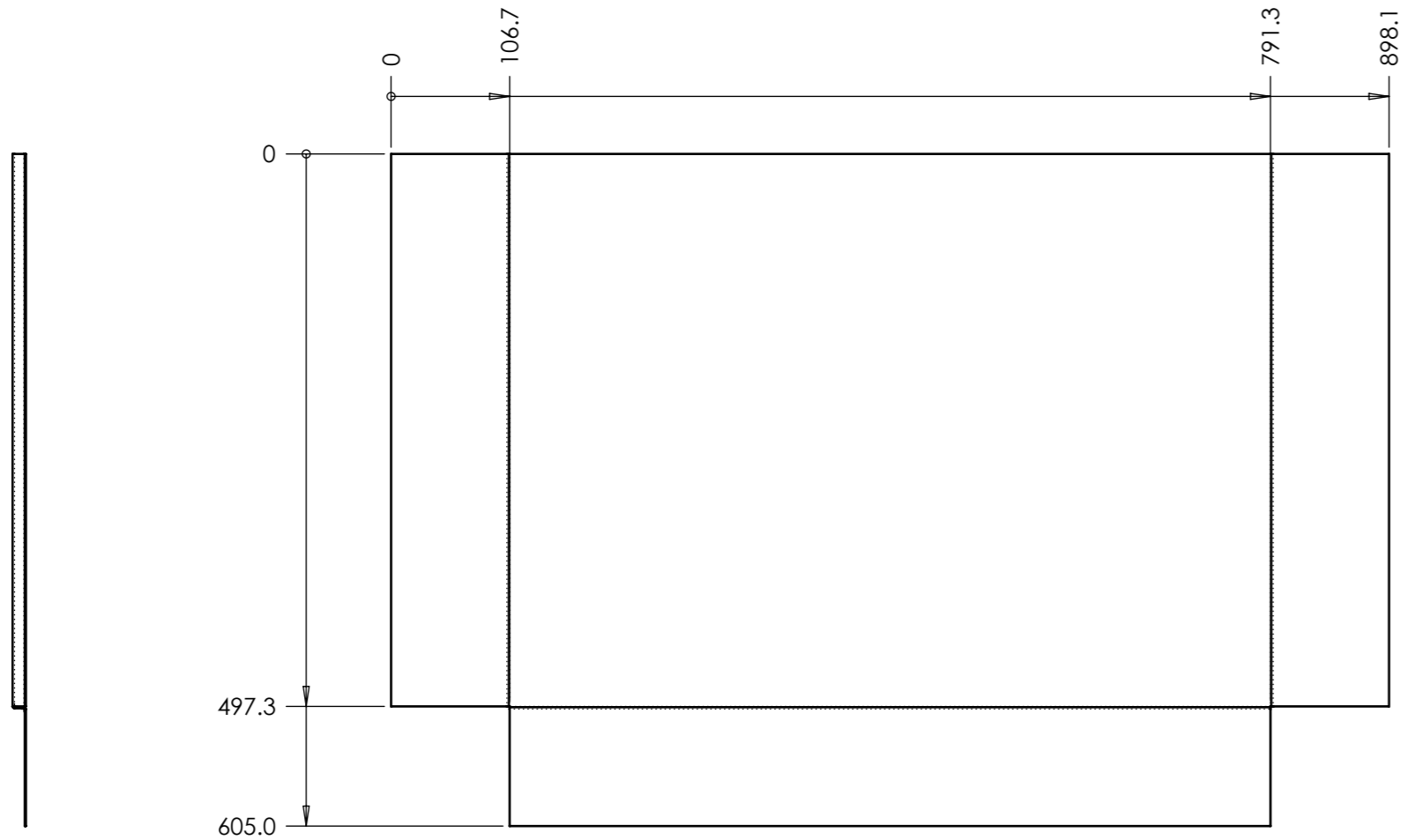



| SPECIFICATIONS   |                        |
|------------------|------------------------|
| UNITS            | MILLIMETERS            |
| TOLERANCES       | ± 0.5 mm UNLESS STATED |
| MATERIAL         | 1mm ALUMINIUM SHEET    |
| COMPONENT FINISH | Raw                    |



|  |            |  |     |
|--|------------|--|-----|
|  <b>PSI POSEIDON SCIENTIFIC INSTRUMENTS</b><br><small>17 QUEEN VICTORIA ST, FREMANTLE WA 6160 PH: (08) 9430 6639 FAX (08) 9335 4650</small> |            |  |     |
| DRAWING NAME   |            |  |     |
| MWAM040 Insulation Protection Sheet  |            |  |     |
| SIZE   | DRAWN BY   | DRAWING FILENAME.                          |     |
| A3   | C.Coleman  | MWAM040 Insulation Protection Sheet.SLDDRW |     |
| SCALE  | DATE       | COMPONENT NAME                             | REV |
| 1:6  | 28/04/2010 | MWAM040 Insulation Protection Sheet.SLDPRT | A   |
| SHEET  |            |  |     |
| 1 of 1   |            |  |     |