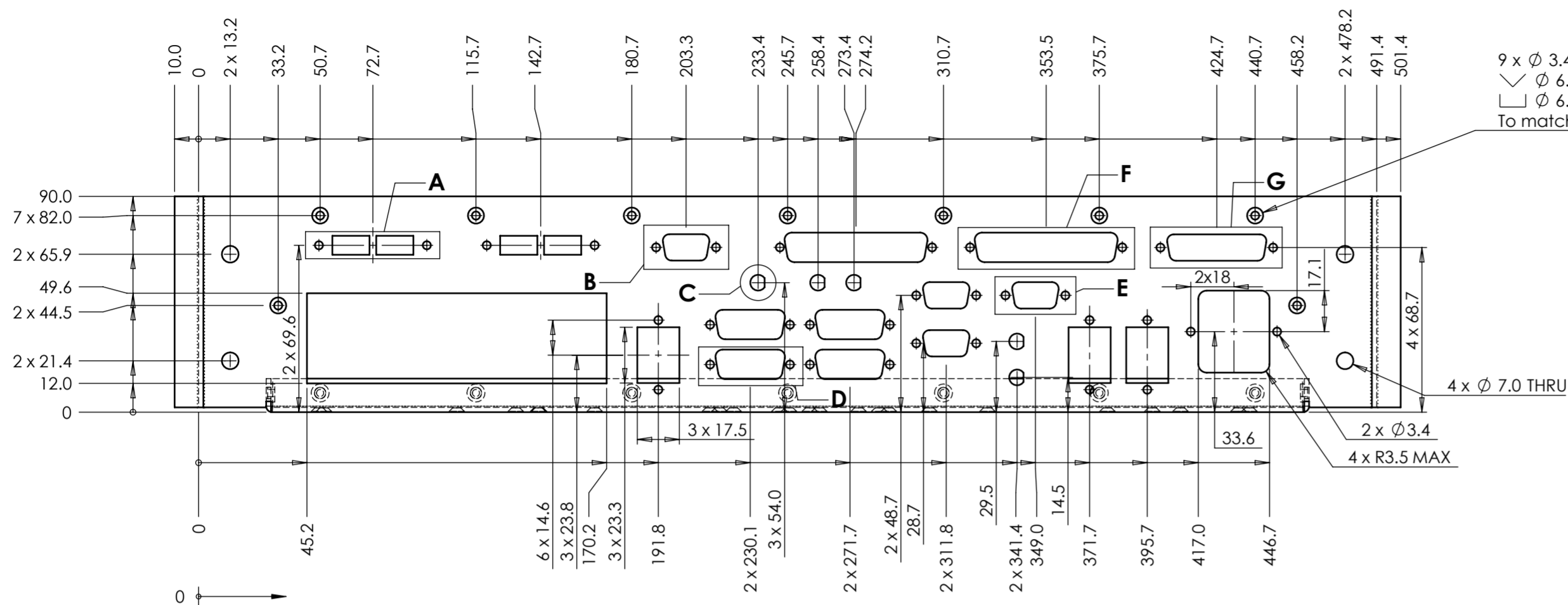
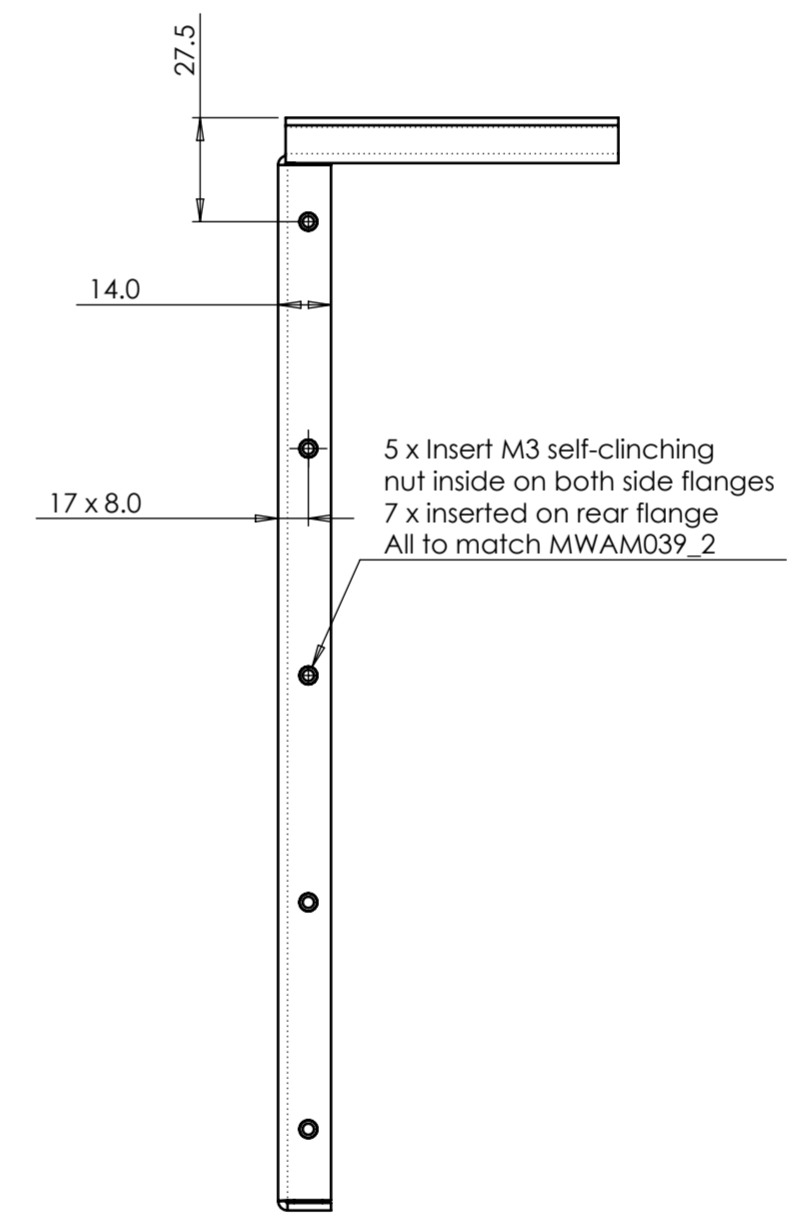
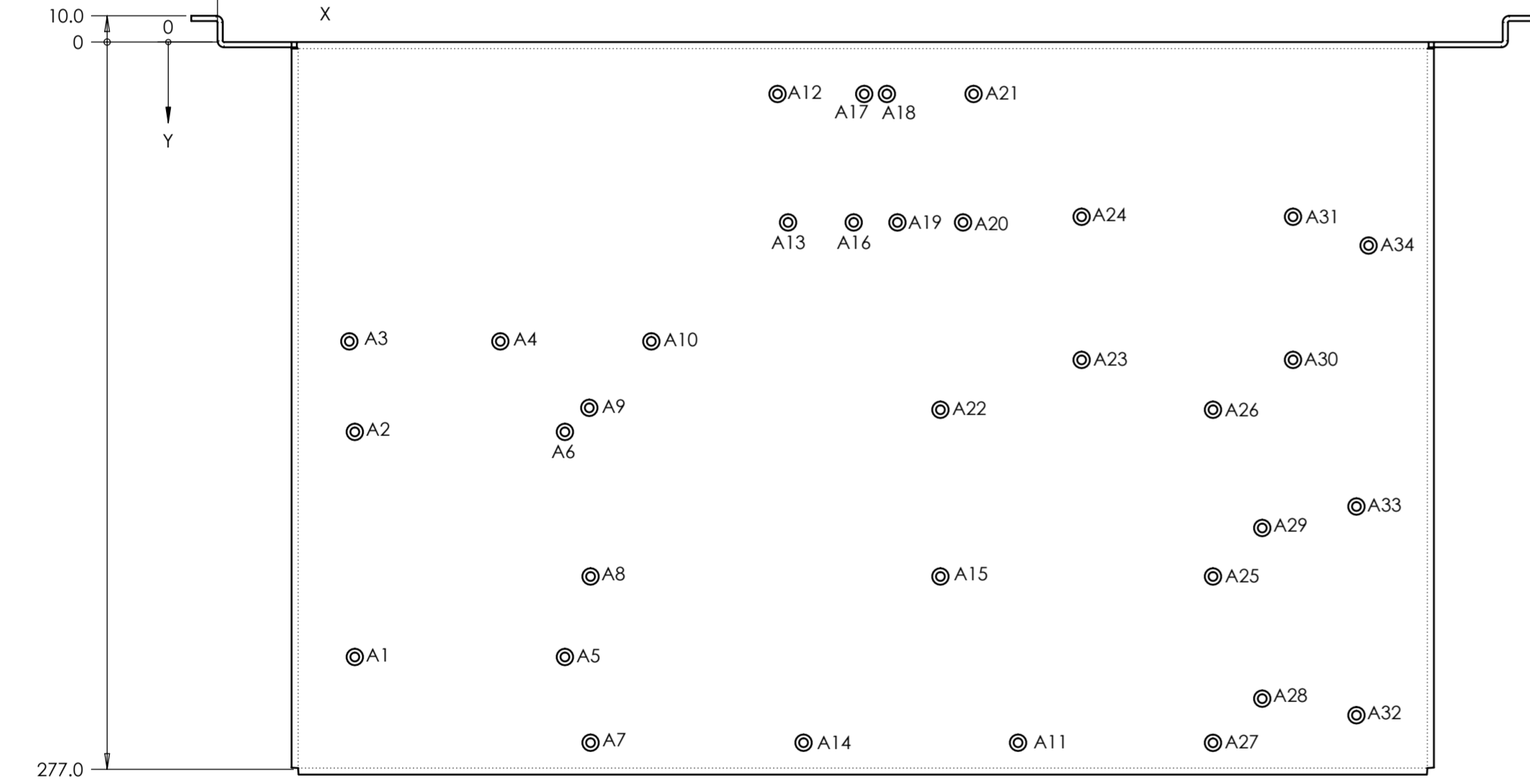
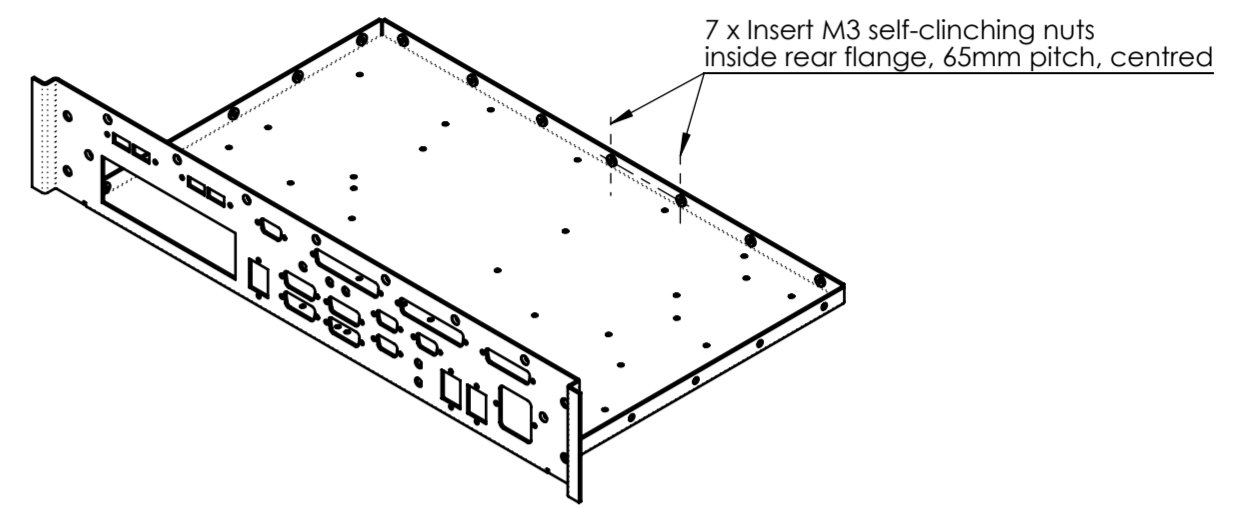


SPECIFICATIONS	
UNITS	MILLIMETERS
TOLERANCES	± 0.2 mm UNLESS STATED
MATERIAL	2mm ALUMINIUM SHEET
FINISH	RAW - Orbital Sand Finish

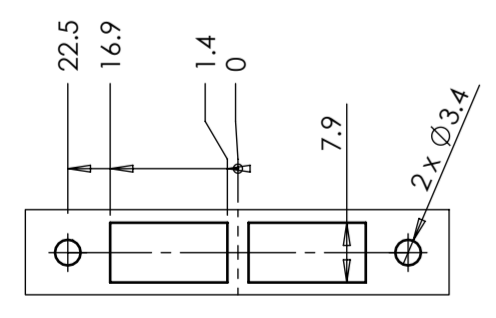


9 x Ø 3.4 THRU
 ✓ Ø 6.7 X 90°
 □ Ø 6.7 ± 0.4
 To match with MWAM039_2

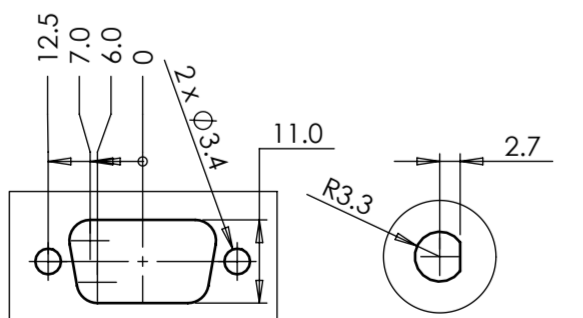


TAG	X LOC	Y LOC	SIZE
A1	52.28	234.20	
A2	52.28	148.48	
A3	50.20	114.00	
A4	107.70	114.00	
A5	132.29	234.20	
A6	132.29	148.48	
A7	142.06	266.85	
A8	142.06	203.55	
A9	141.57	139.31	
A10	165.20	114.00	
A11	304.85	266.85	
A12	213.25	19.78	
A13	217.27	68.70	
A14	223.16	266.85	
A15	275.28	203.55	
A16	242.26	68.70	
A17	246.27	19.78	
A18	254.89	19.78	
A19	258.91	68.70	
A20	283.90	68.70	
A21	287.91	19.78	
A22	275.28	140.04	
A23	329.05	121.05	
A24	329.05	66.55	
A25	379.08	203.55	
A26	379.08	140.04	
A27	379.08	266.90	
A28	397.83	250.08	
A29	397.83	185.08	
A30	409.55	121.05	
A31	409.55	66.55	
A32	433.70	256.39	
A33	433.70	176.89	
A34	438.33	77.50	

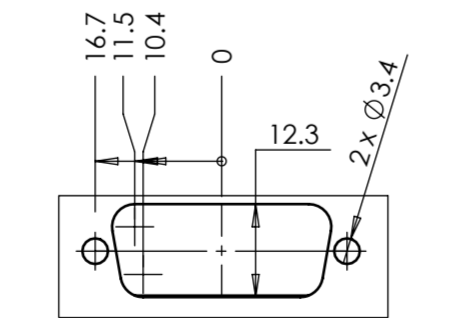
Ø 3.4 THRU
 ✓ Ø 6.3 X 90°
 □ Ø 6.3 ± 0.4



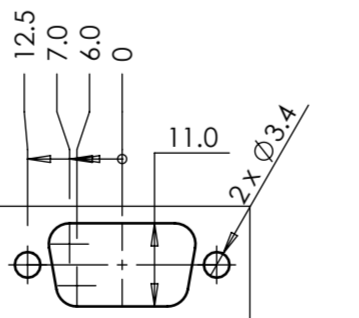
DETAIL A
SCALE 1 : 1



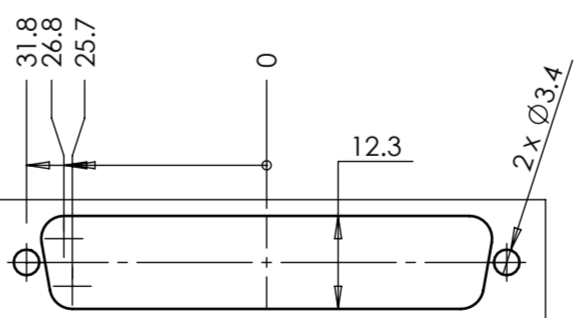
DETAIL B
SCALE 1 : 1



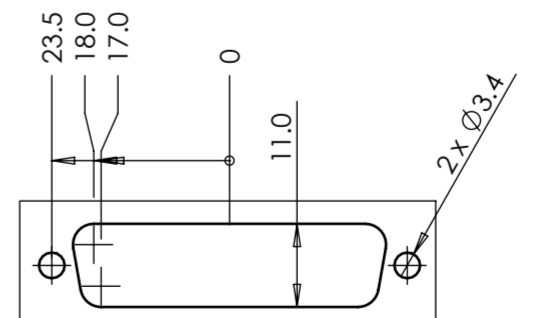
DETAIL C
SCALE 1 : 1



DETAIL D
SCALE 1 : 1



DETAIL E
SCALE 1 : 1



DETAIL F
SCALE 1 : 1

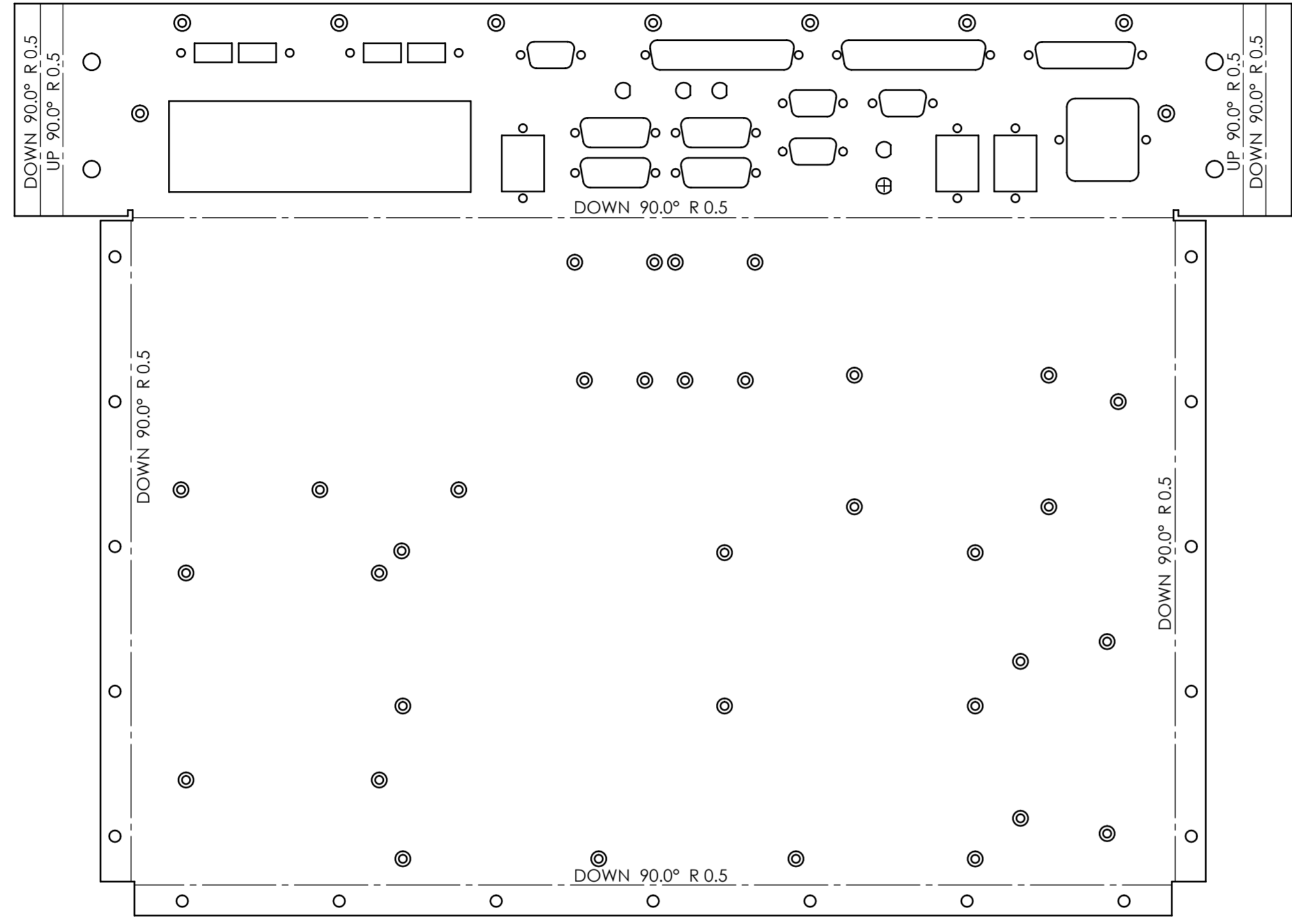
REVISIONS				
ZONE	REV.	DESCRIPTION	DATE	APPROVED
	B	1. Additional edge folds.	30/04/2010	
	C	1. Detail A, B, D, E, F, & G Modified 2. Additional Cutouts/Layout on Front Panel 3. Hole Table Modified A(1-2,5-9,11-27,30-31) 4. Change to Right Angle Bracket (See Sheet 5)	21/07/2010	

PSI POSEIDON SCIENTIFIC INSTRUMENTS
 17 QUEEN VICTORIA ST. FREMANTLE WA 6160. PH: (08) 9430 6639 FAX (08) 9335 4650

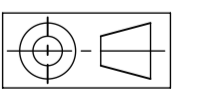
DRAWING NAME: MWAM039_1 SBC Enclosure base


SIZE: A2	DRAWN BY: I MOORE	DRAWING FILENAME: MWAM039 SBC Enclosure.SLDDRW
SCALE: 1:2	DATE: 26/07/2010	COMPONENT NAME: MWAM039_1 SBC enclosure base.SLDPRT
SHEET: 1 of 6		REV: C

SPECIFICATIONS	
UNITS	MILLIMETERS
TOLERANCES	± 0.2 mm UNLESS STATED
MATERIAL	2mm ALUMINIUM SHEET
FINISH	RAW - Orbital Sand Finish

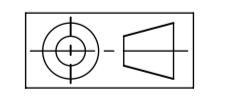
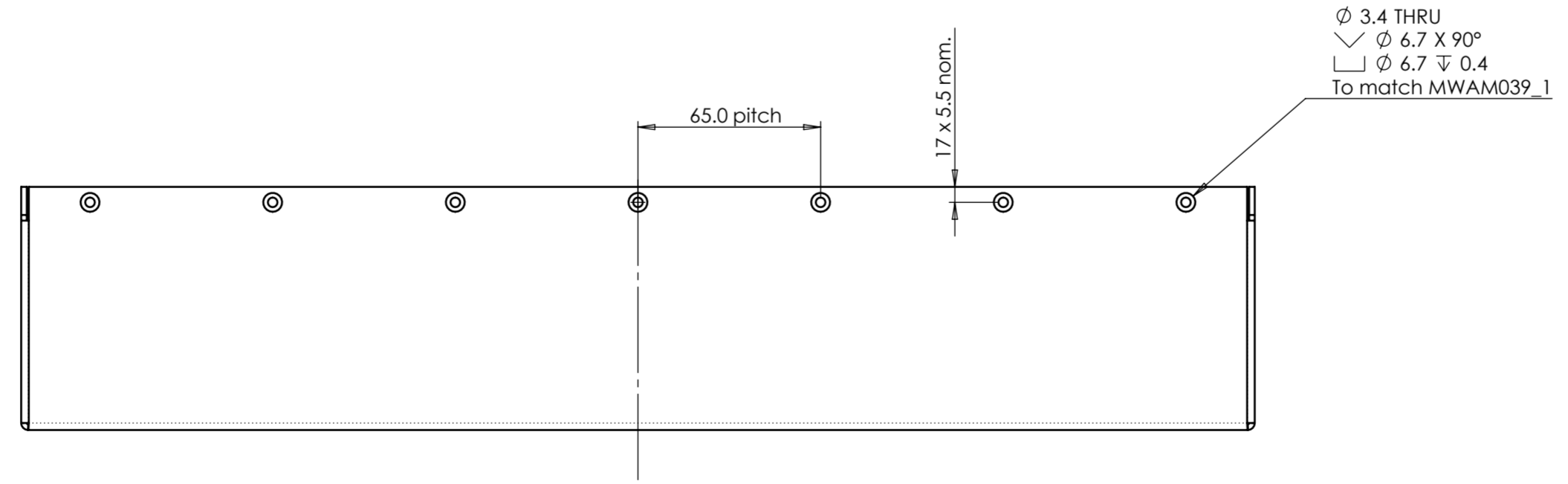
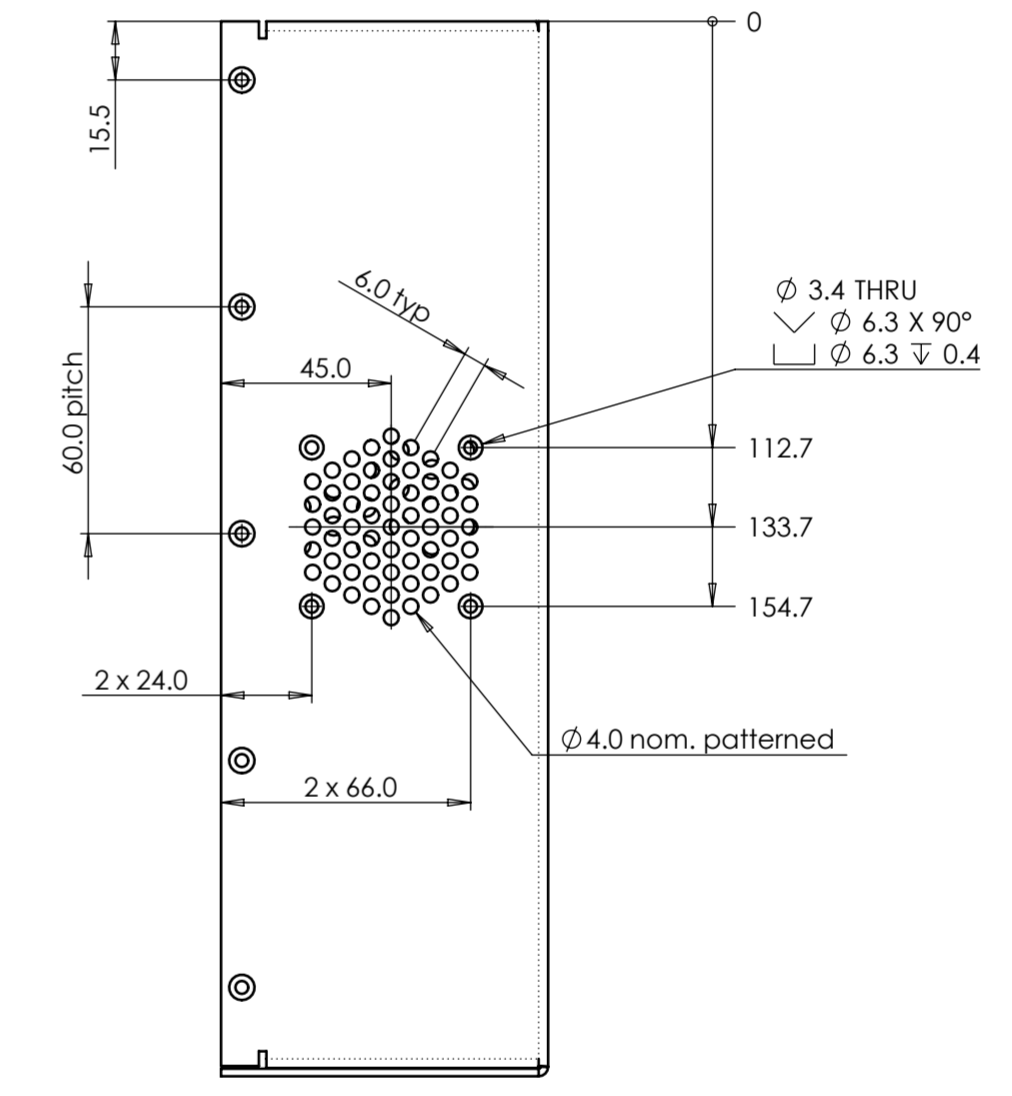
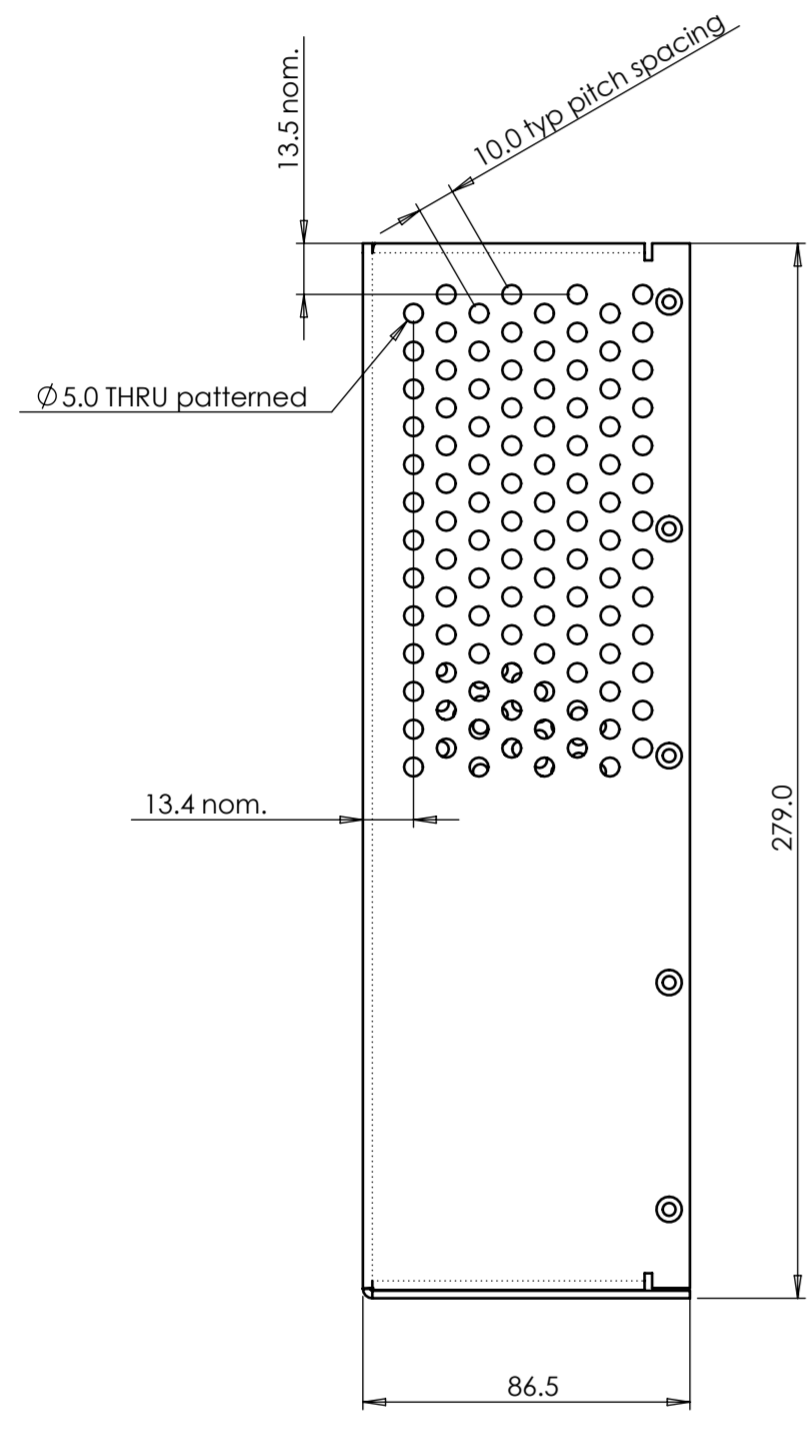
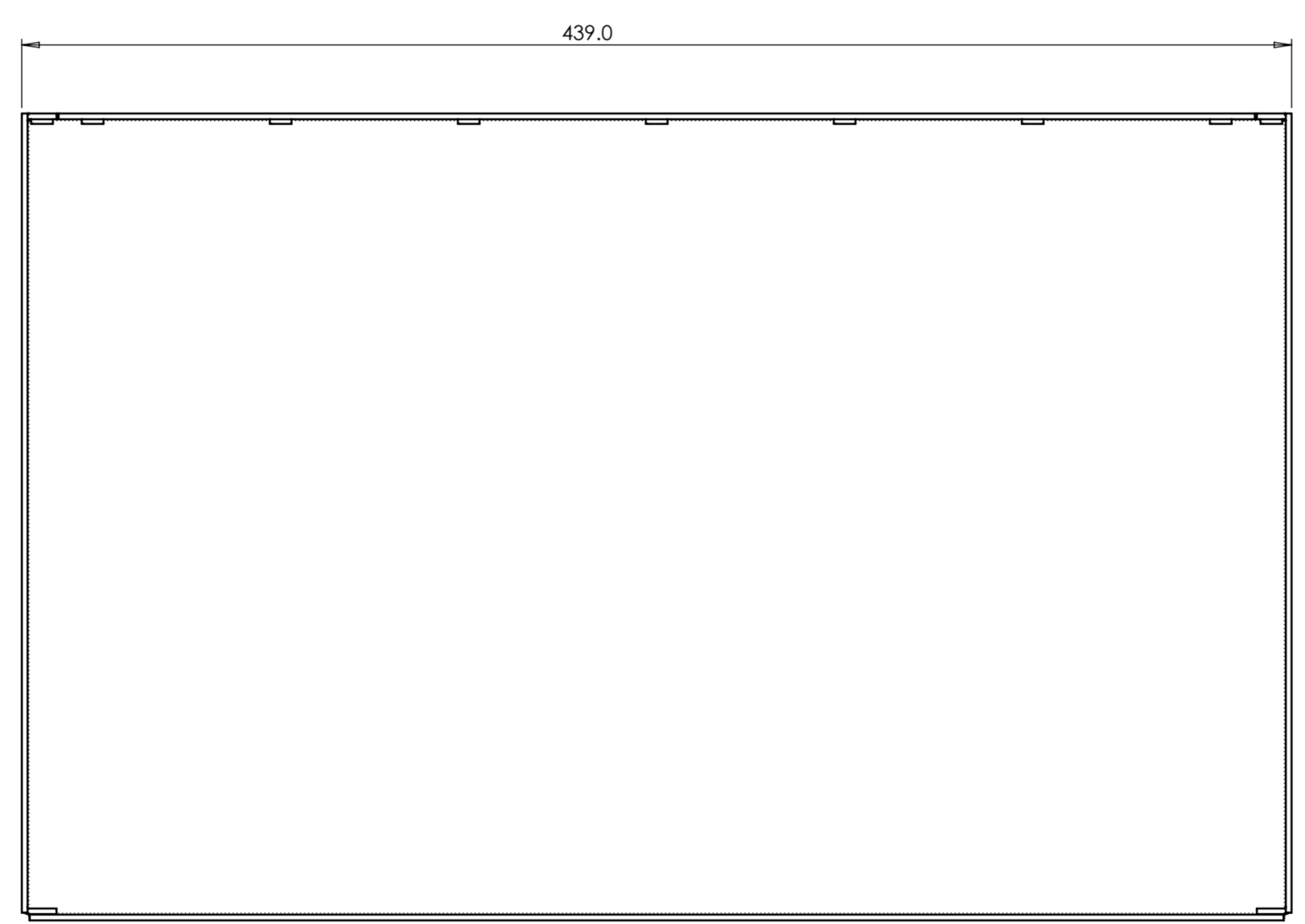
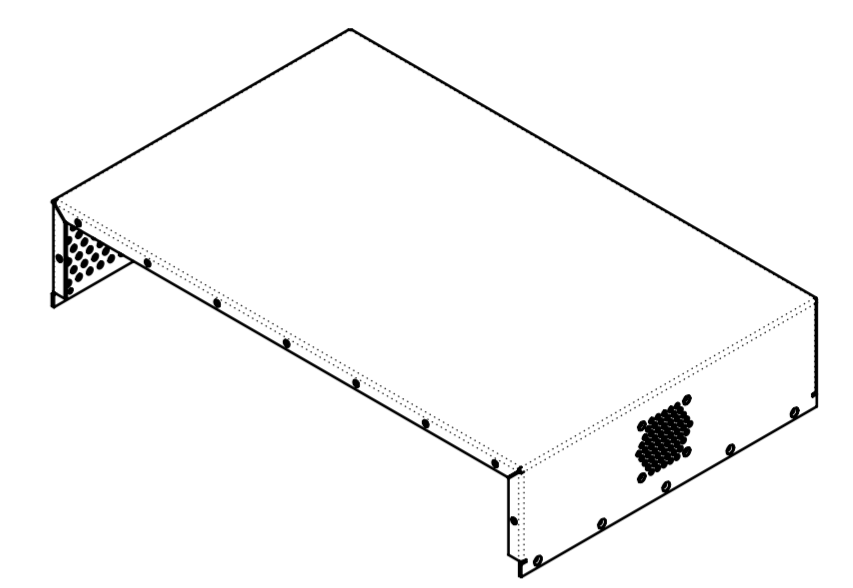
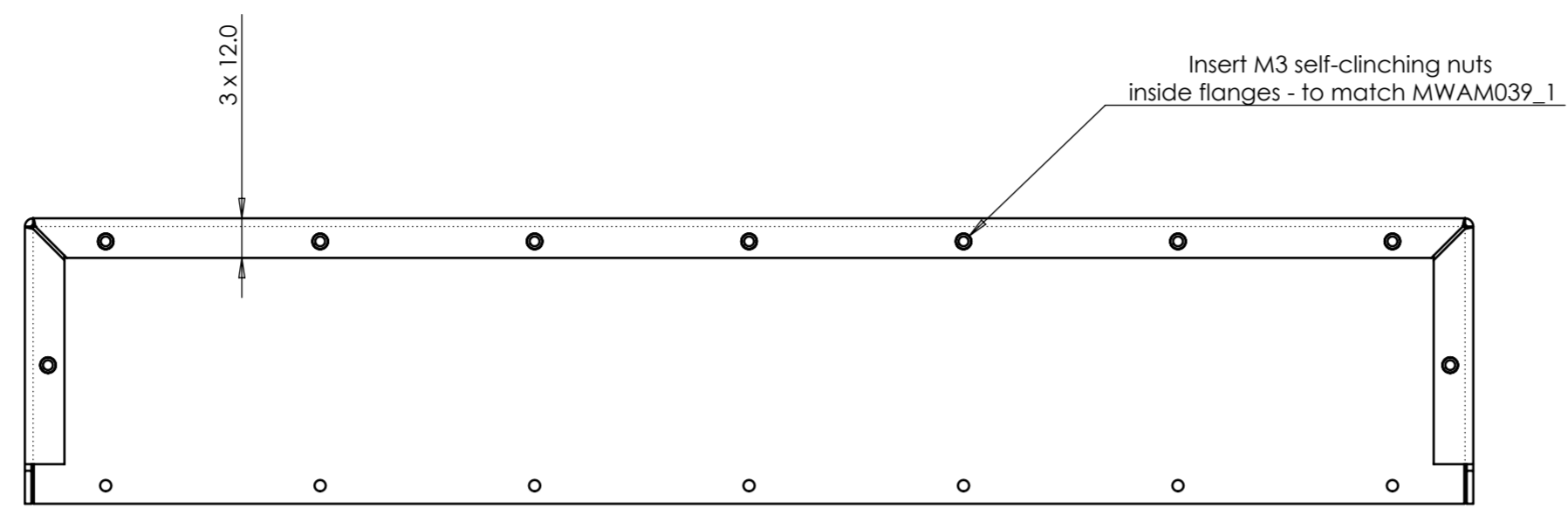



Flat pattern for reference only



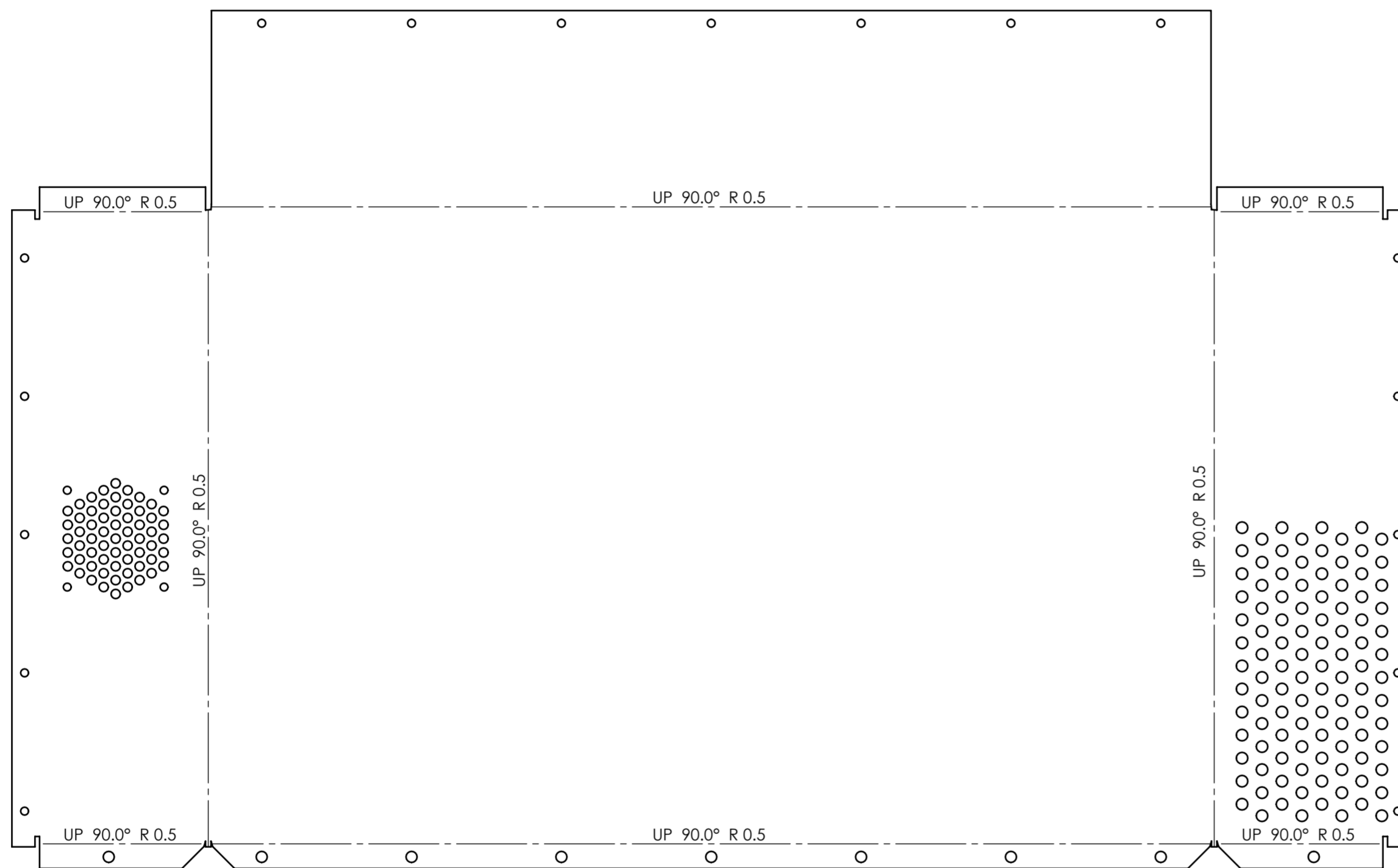
 POSEIDON SCIENTIFIC INSTRUMENTS <small>17 QUEEN VICTORIA ST, FREMANTLE WA 6160. PH: (08) 9430 6639 FAX (08) 9335 4650</small>			
DRAWING NAME			
MWAM039_1 SBC Enclosure base			
SIZE	A2	DRAWN BY	I MOORE
SCALE	1:2	DATE	26/07/2010
SHEET	2 of 6	COMPONENT NAME	MWAM039_1 SBC enclosure base.SLDPRT
		REV	C

SPECIFICATIONS	
UNITS	MILLIMETERS
TOLERANCES	± 0.2 mm UNLESS STATED
MATERIAL	2mm ALUMINIUM SHEET
FINISH	RAW - Orbital Sand Finish

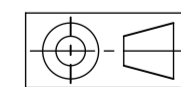



 POSEIDON SCIENTIFIC INSTRUMENTS <small>17 QUEEN VICTORIA ST, FREMANTLE WA 6160. PH: (08) 9430 6639 FAX (08) 9335 4650</small>		
DRAWING NAME		
MWAM039_2 SBC Enclosure cover		
SIZE	DRAWN BY	DRAWING FILENAME.
A2	I MOORE	MWAM039 SBC Enclosure.SLDDRW
SCALE	DATE	COMPONENT NAME
1:2	26/07/2010	MWAM039_2 SBC enclosure cover.SLDPRT
SHEET		REV
3 of 6		C

SPECIFICATIONS	
UNITS	MILLIMETERS
TOLERANCES	± 0.2 mm UNLESS STATED
MATERIAL	2mm ALUMINIUM SHEET
FINISH	RAW - Orbital Sand Finish

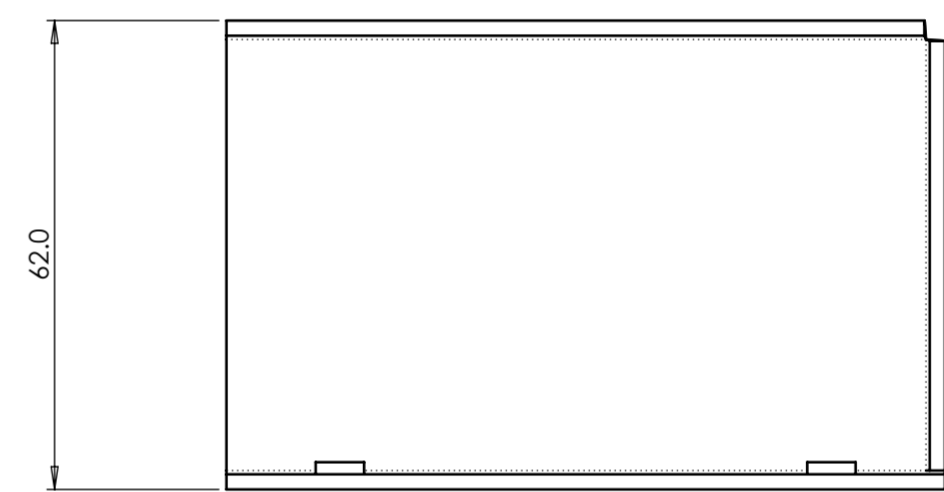
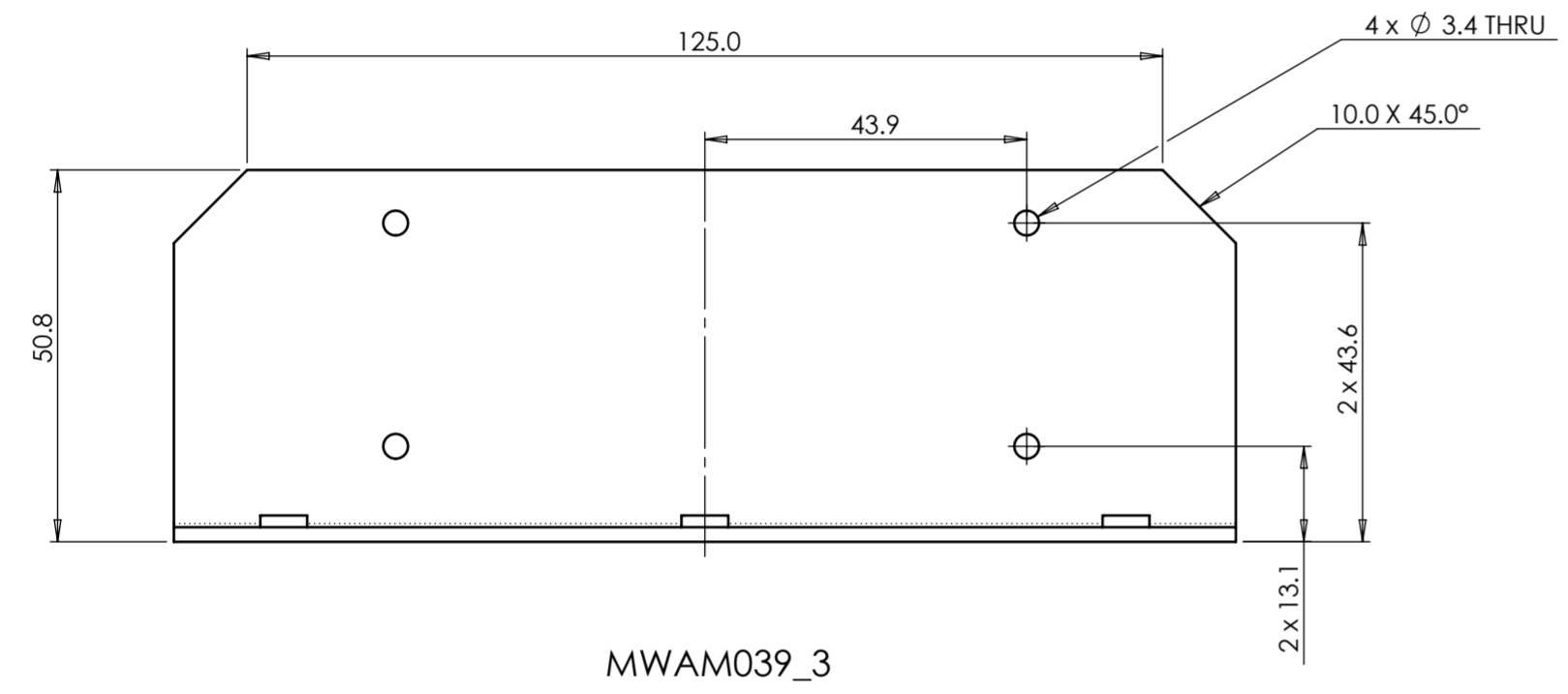
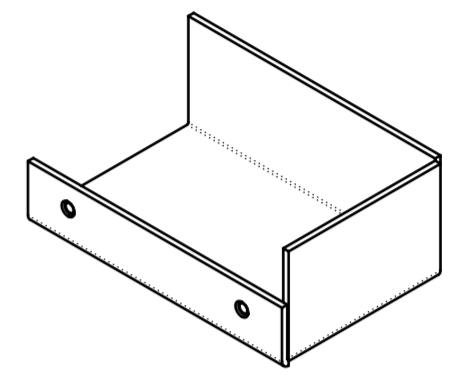
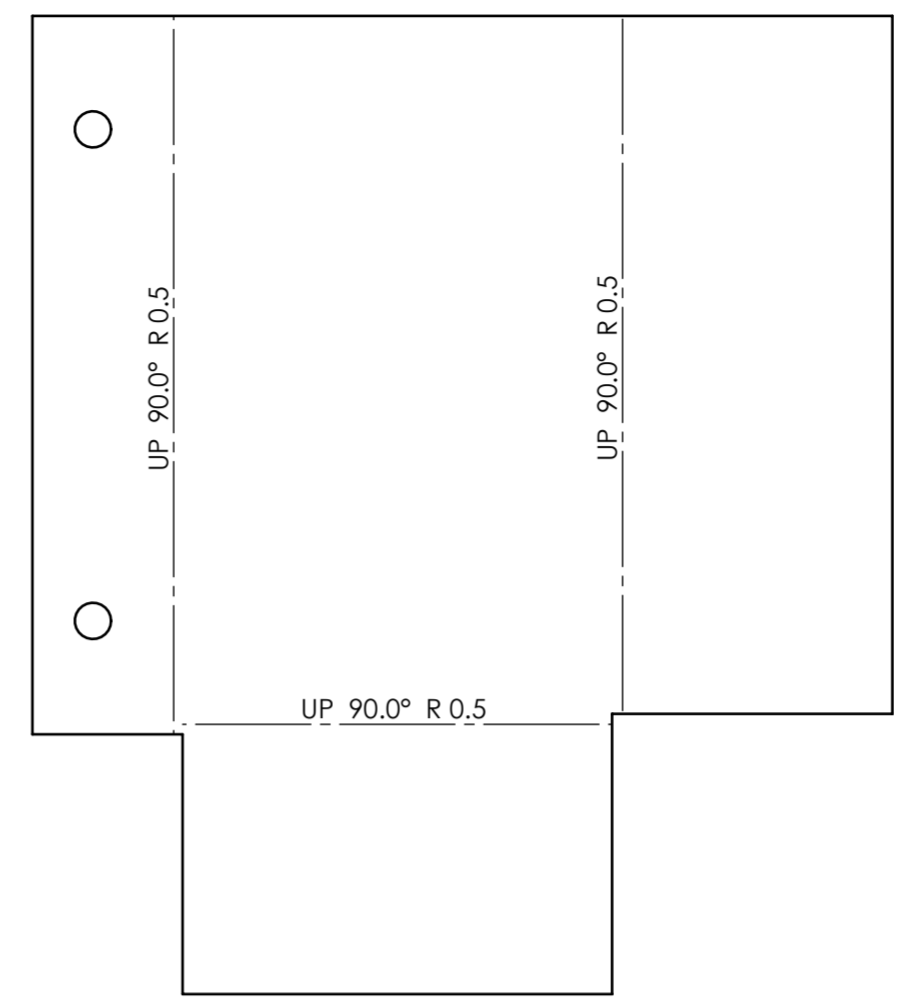
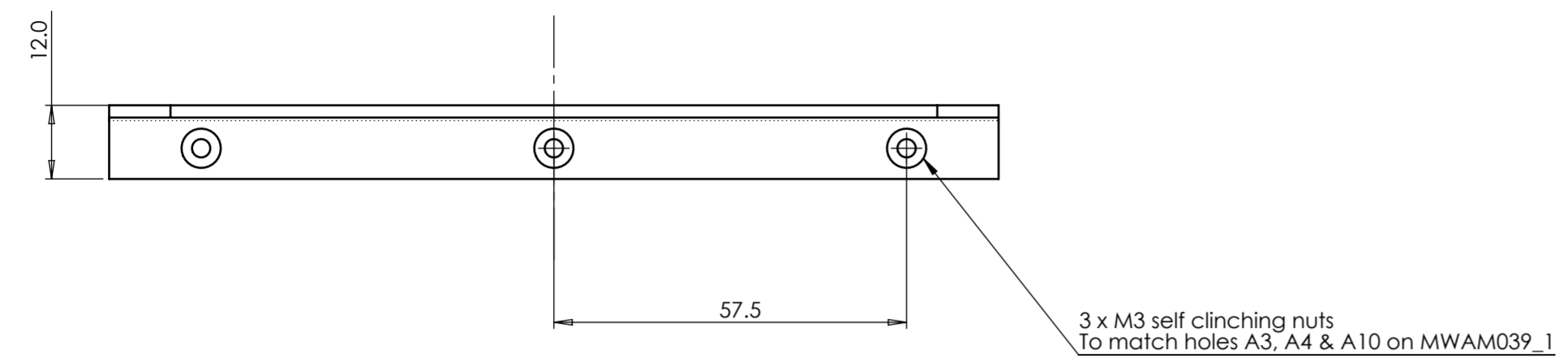


Flat pattern for reference only



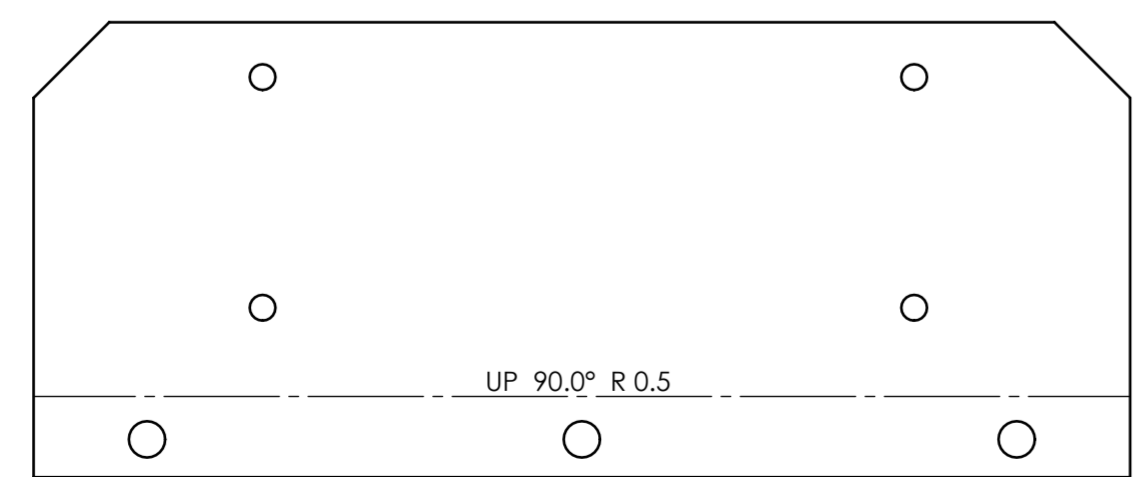
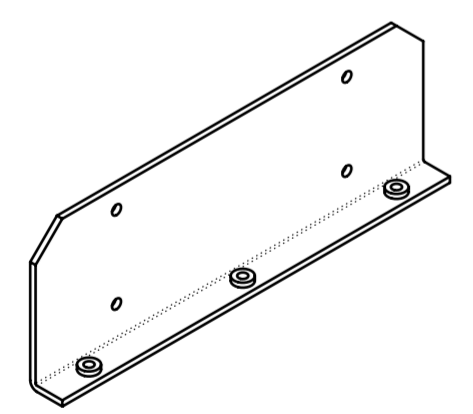
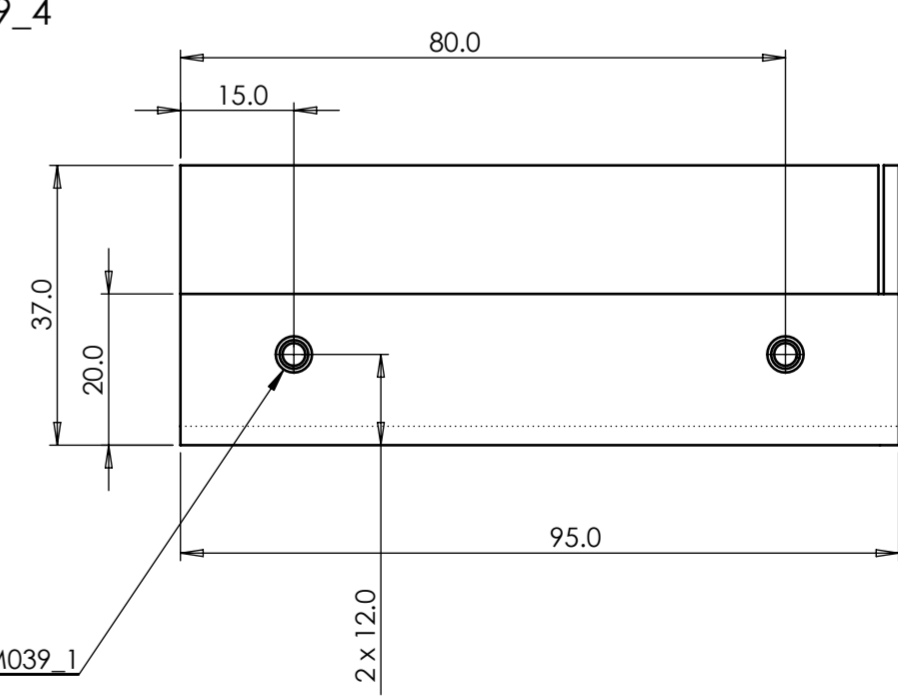
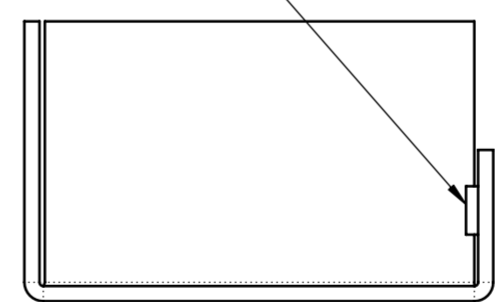
 POSEIDON SCIENTIFIC INSTRUMENTS <small>17 QUEEN VICTORIA ST, FREMANTLE WA 6160. PH: (08) 9430 6639 FAX (08) 9335 4650</small>			
DRAWING NAME			
MWAM039_2 Enclosure cover			
SIZE	A2	DRAWN BY	I MOORE
SCALE	1:2	DATE	26/07/2010
SHEET	4 of 6	COMPONENT NAME	MWAM039_2 SBC enclosure cover.SLDPRT
		REV	C

SPECIFICATIONS	
UNITS	MILLIMETERS
TOLERANCES	± 0.2 mm UNLESS STATED
MATERIAL	2mm ALUMINIUM SHEET
FINISH	RAW - Orbital Sand Finish



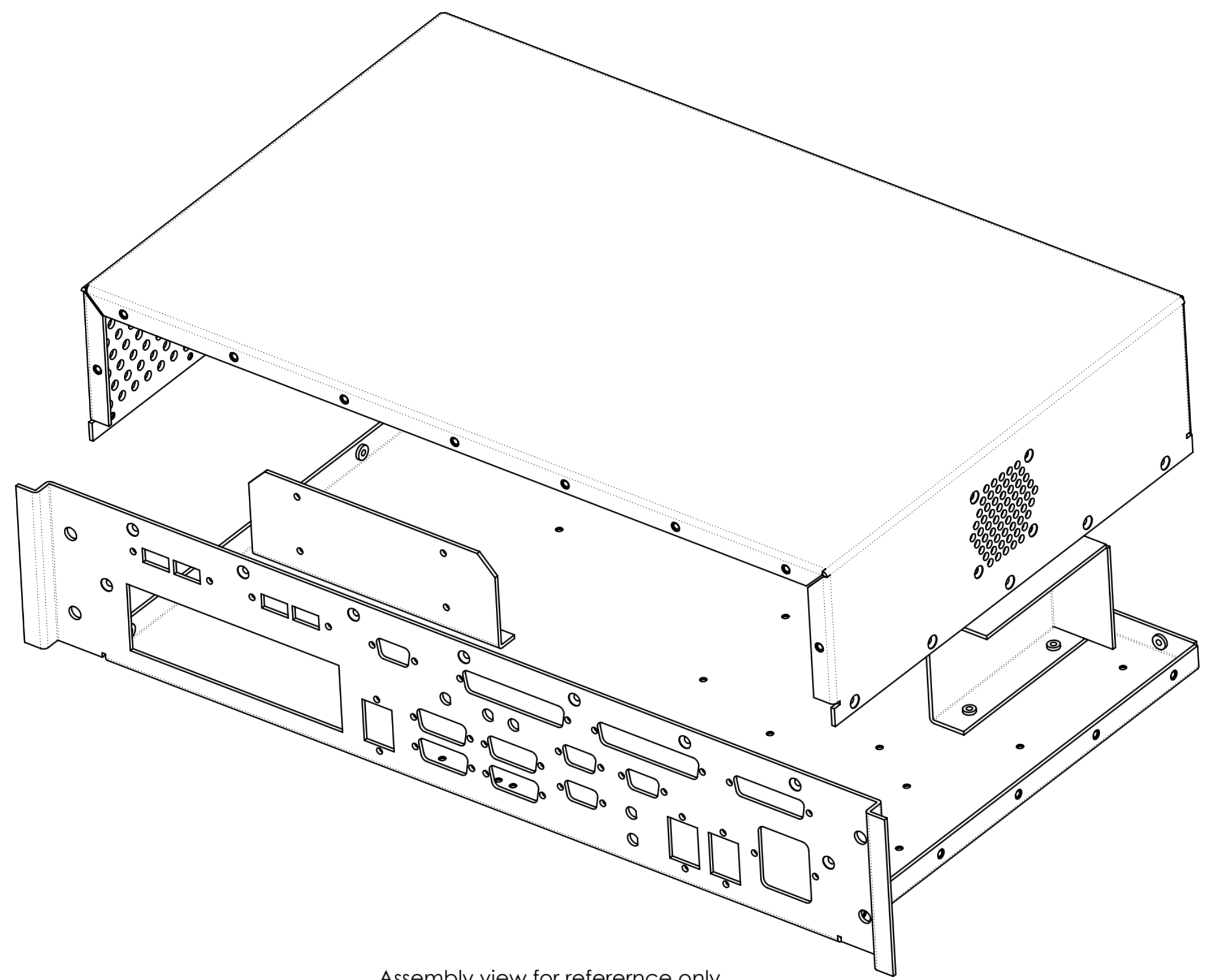
2 x M3 self clinching nuts

MWAM039_4

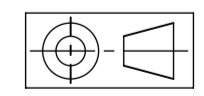



POSEIDON SCIENTIFIC INSTRUMENTS <small>17 QUEEN VICTORIA ST, FREMANTLE WA 6160. PH: (08) 9430 6639 FAX (08) 9335 4650</small>			
DRAWING NAME MWAM039_3 &_4 SBC enclosure brackets			
SIZE A2	DRAWN BY I MOORE	DRAWING FILENAME MWAM039 SBC Enclosure.SLDDRW	
SCALE 1:1	DATE 26/07/2010	COMPONENT NAME MWAM039_3 MC bracket1.SLDPRT MWAM039_4 Mains shield.SLDPRT	REV C
SHEET 5 of 6			

SPECIFICATIONS	
UNITS	MILLIMETERS
TOLERANCES	See individual sheets
MATERIAL	See individual sheets
FINISH	See individual sheets



Assembly view for referrence only



 POSEIDON SCIENTIFIC INSTRUMENTS <small>17 QUEEN VICTORIA ST, FREMANTLE WA 6160. PH: (08) 9430 6639 FAX (08) 9335 4650</small>			
DRAWING NAME			
MWAM039 SBC Enclosure assembly			
SIZE	A2	DRAWN BY	I MOORE
SCALE	1:2	DATE	26/07/2010
SHEET	6 of 6	COMPONENT NAME	MWAM039 Enclosure assembly.SLDPRT
		REV	C