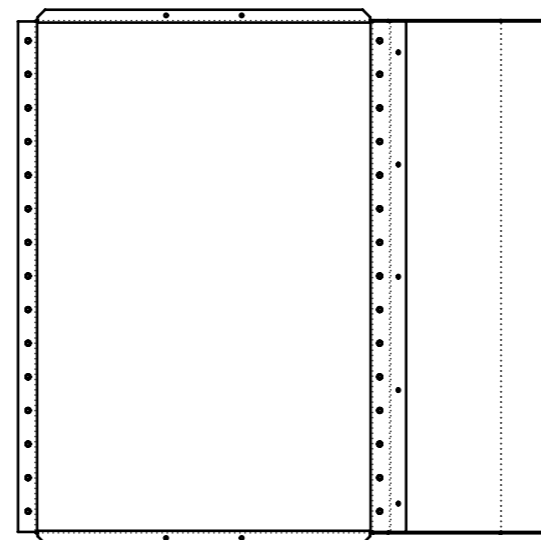
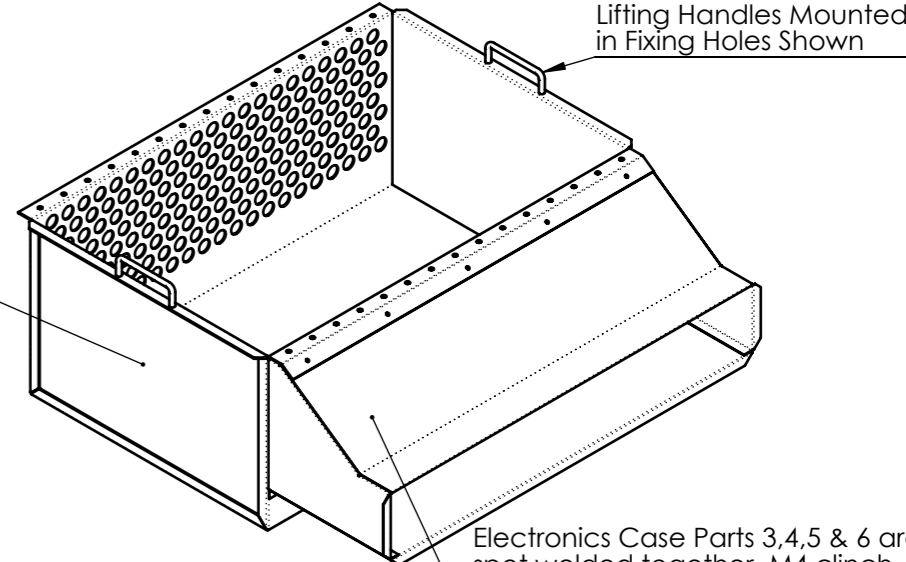


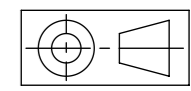
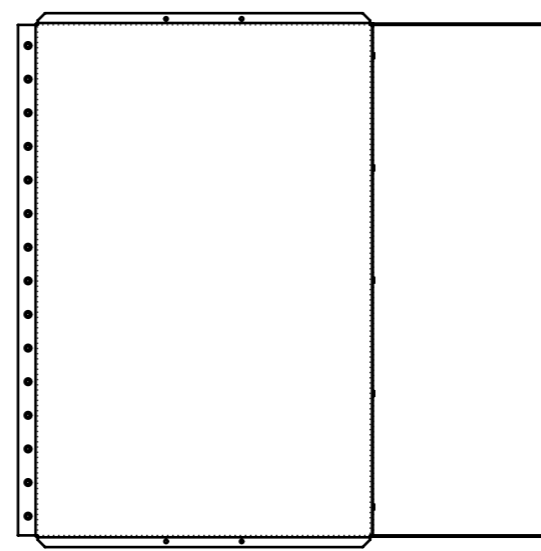
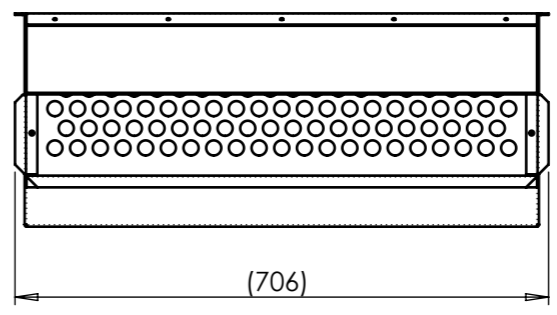
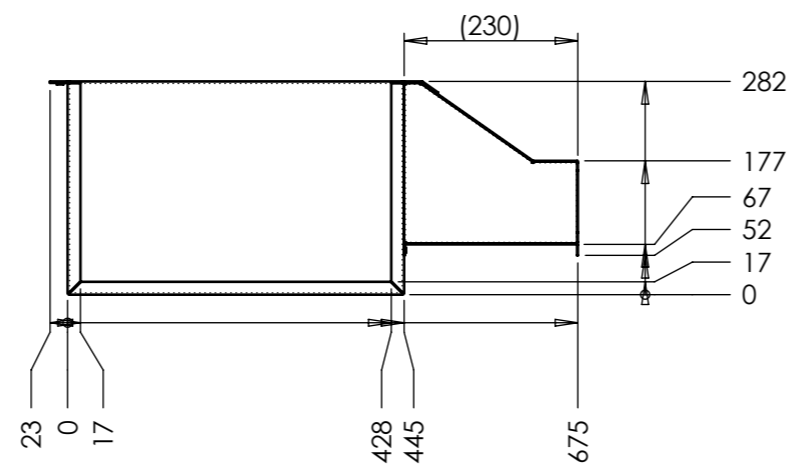
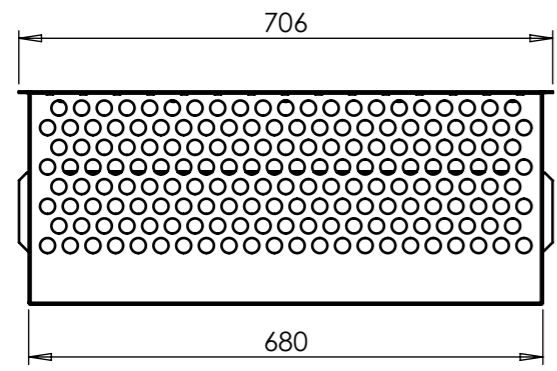
SPECIFICATIONS	
UNITS	MILLIMETERS
TOLERANCES	± 0.5 mm UNLESS STATED
MATERIAL	See Sheets 2 - 10
FINISH	See Sheets 2 - 10



Electronics Enclosure Parts 1 & 2 are fixed together. A flush internal surface is required. Self Piercing Rivets would be appropriate.



Electronics Case Parts 3,4,5 & 6 are spot welded together. M4 clinch nuts used in shown locations to attach to main enclosure.



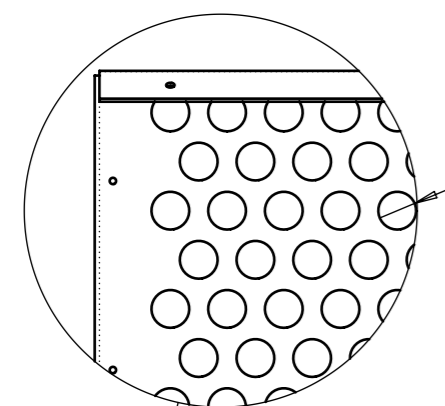
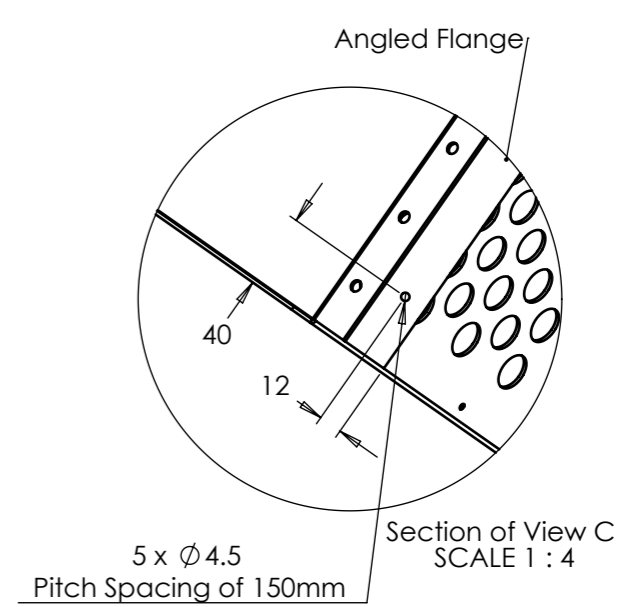
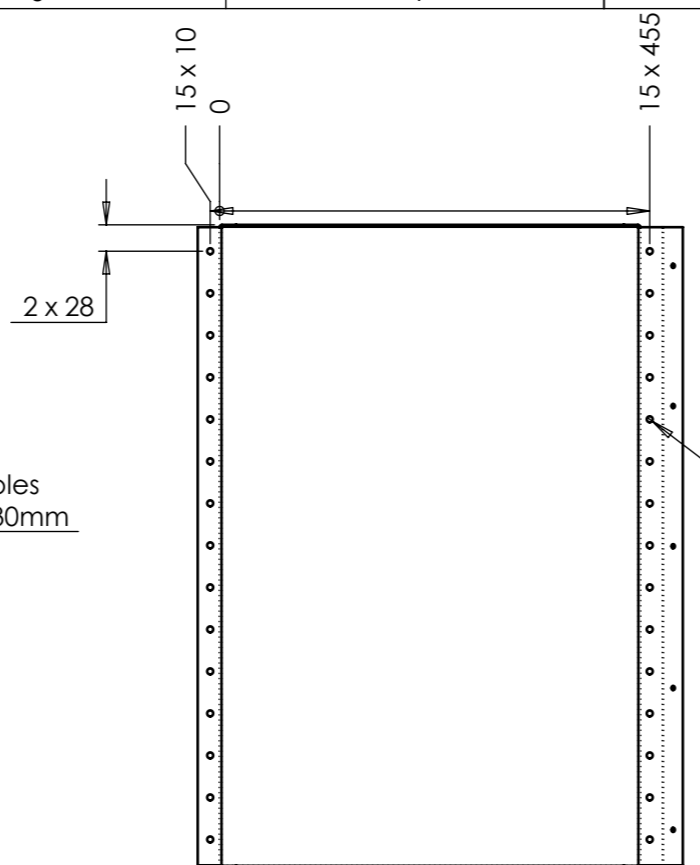
PSI POSEIDON SCIENTIFIC INSTRUMENTS
17 QUEEN VICTORIA ST, FREMANTLE WA 6160 PH: (08) 9430 6639 FAX (08) 9335 4650

DRAWING NAME Electronics Case			
SIZE A3	DRAWN BY C.Coleman	DRAWING FILENAME. MWAM038 Electronics Case.SLDRW	
SCALE 1:10	DATE 29/04/2010	COMPONENT NAME MWAM038 Electronics Case.SLDPRT	REV B
SHEET 1 of 10			

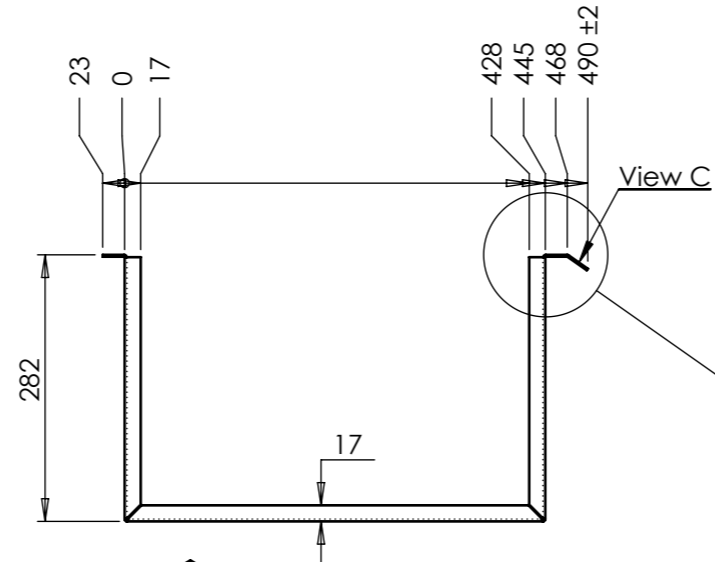
REVISIONS

ZONE	REV.	DESCRIPTION	DATE	APPROVED
	B	1. Modified 3 Part Construction. 2. Overall Length Has Been Reduced. 3. Mounting hole locations have been modified. 4. Ø20mm Hole Array Modified.	28/4/2010	

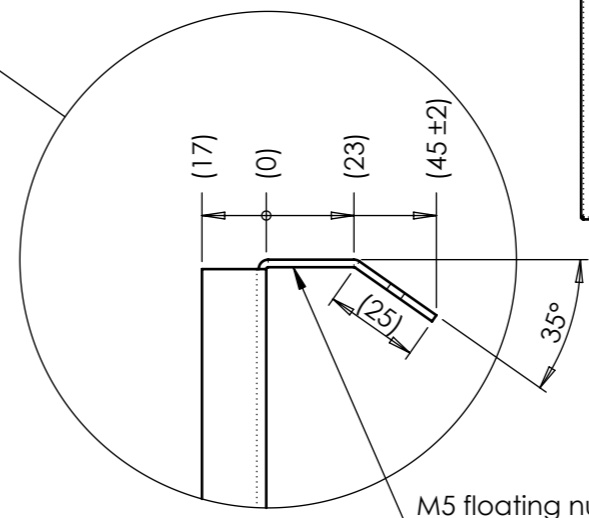
SPECIFICATIONS	
UNITS	MILLIMETERS
TOLERANCES	± 0.5 mm UNLESS STATED
MATERIAL	2mm ALUMINIUM SHEET
FINISH	RAW - Orbital Sand Finish



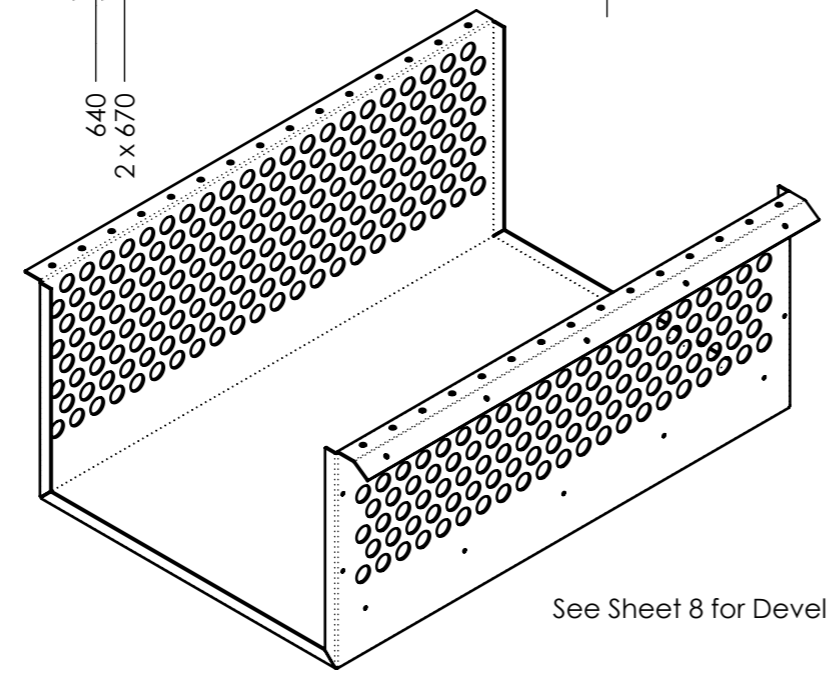
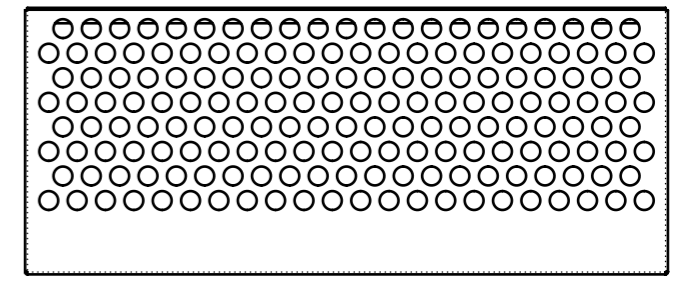
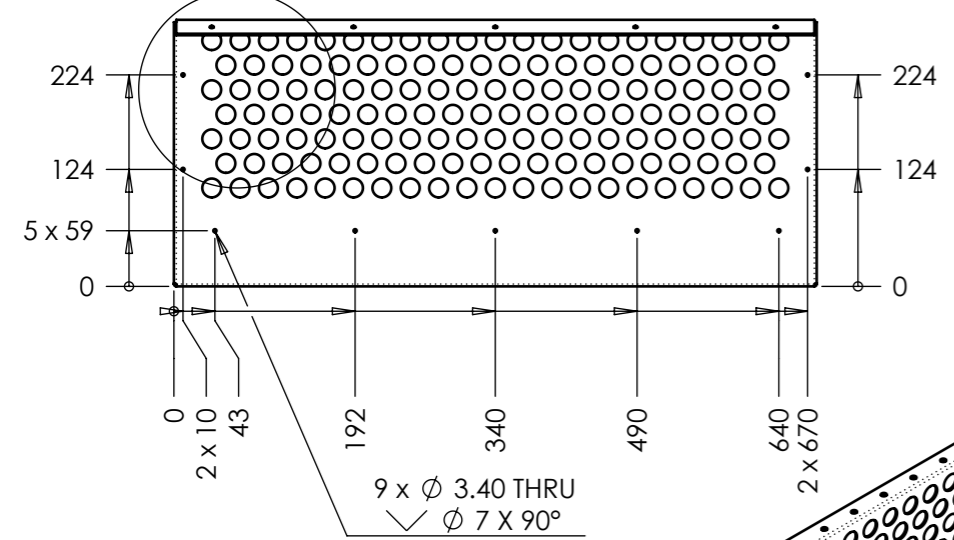
DETAIL B
SCALE 1 : 4



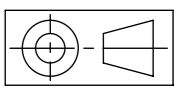
View C



DETAIL A
SCALE 1 : 2

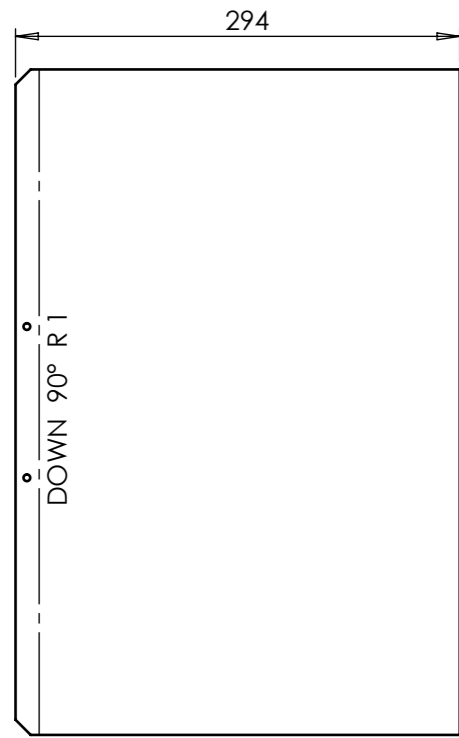


See Sheet 8 for Development Drawing

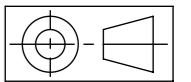
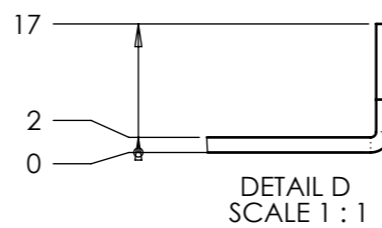
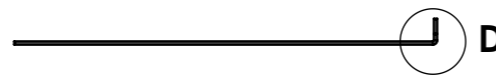
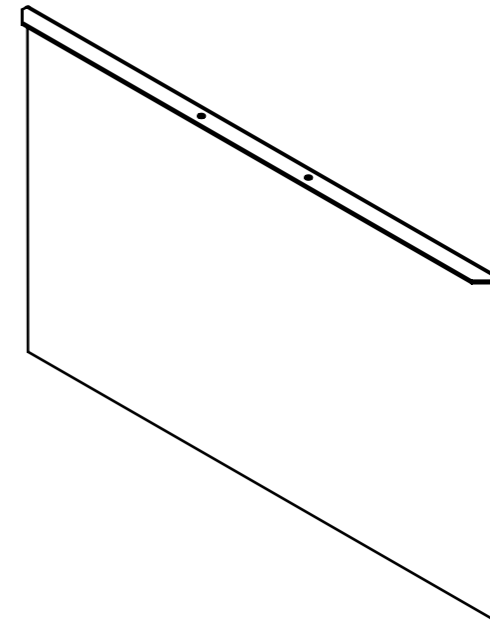
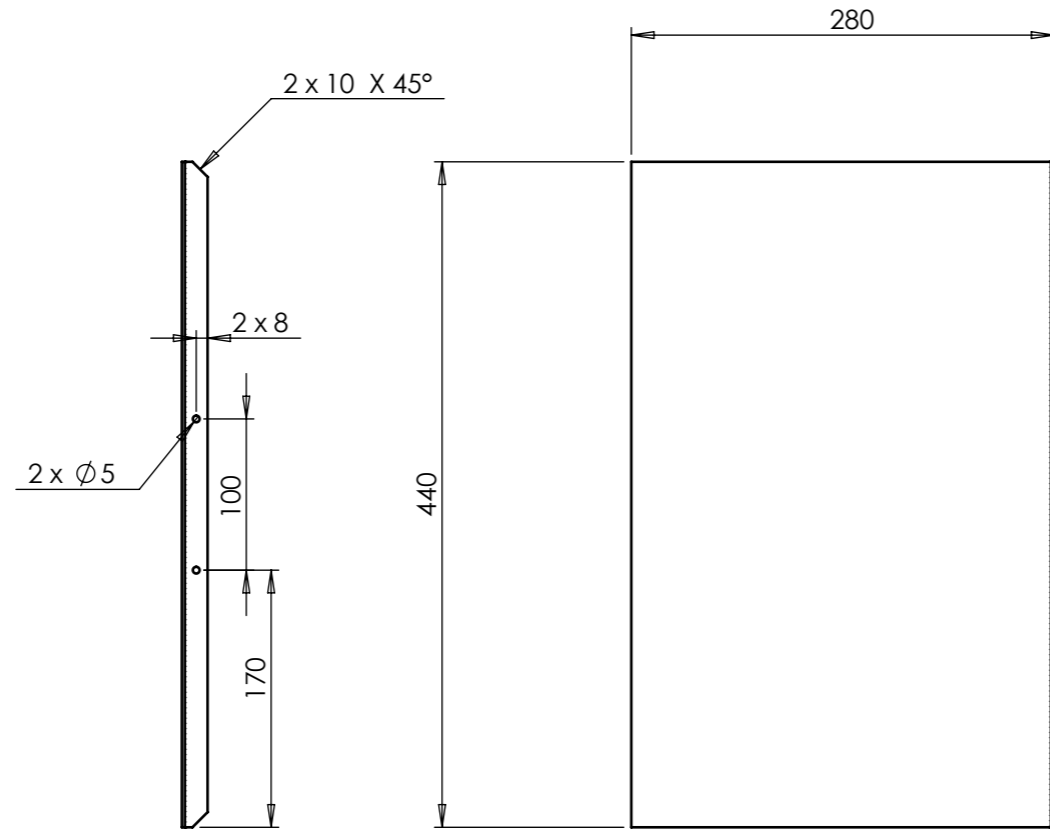



POSEIDON SCIENTIFIC INSTRUMENTS <small>17 QUEEN VICTORIA ST, FREMANTLE WA 6160 PH: (08) 9430 6639 FAX (08) 9335 4650</small>			
DRAWING NAME			
Electronics Case Part 1			
SIZE	DRAWN BY	DRAWING FILENAME.	
A3	C.Coleman	MWAM038 Electronics Case.SLDDRW	
SCALE	DATE	COMPONENT NAME	REV
1:8	29/04/2010	MWAM038_1 Electronics Case Part 1.SLDPRT	B
SHEET			
2 of 10			

SPECIFICATIONS	
UNITS	MILLIMETERS
TOLERANCES	± 0.5 mm UNLESS STATED
MATERIAL	2mm ALUMINIUM SHEET
FINISH	RAW - Orbital Sand Finish



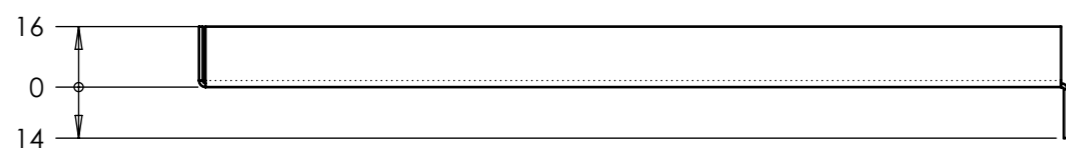
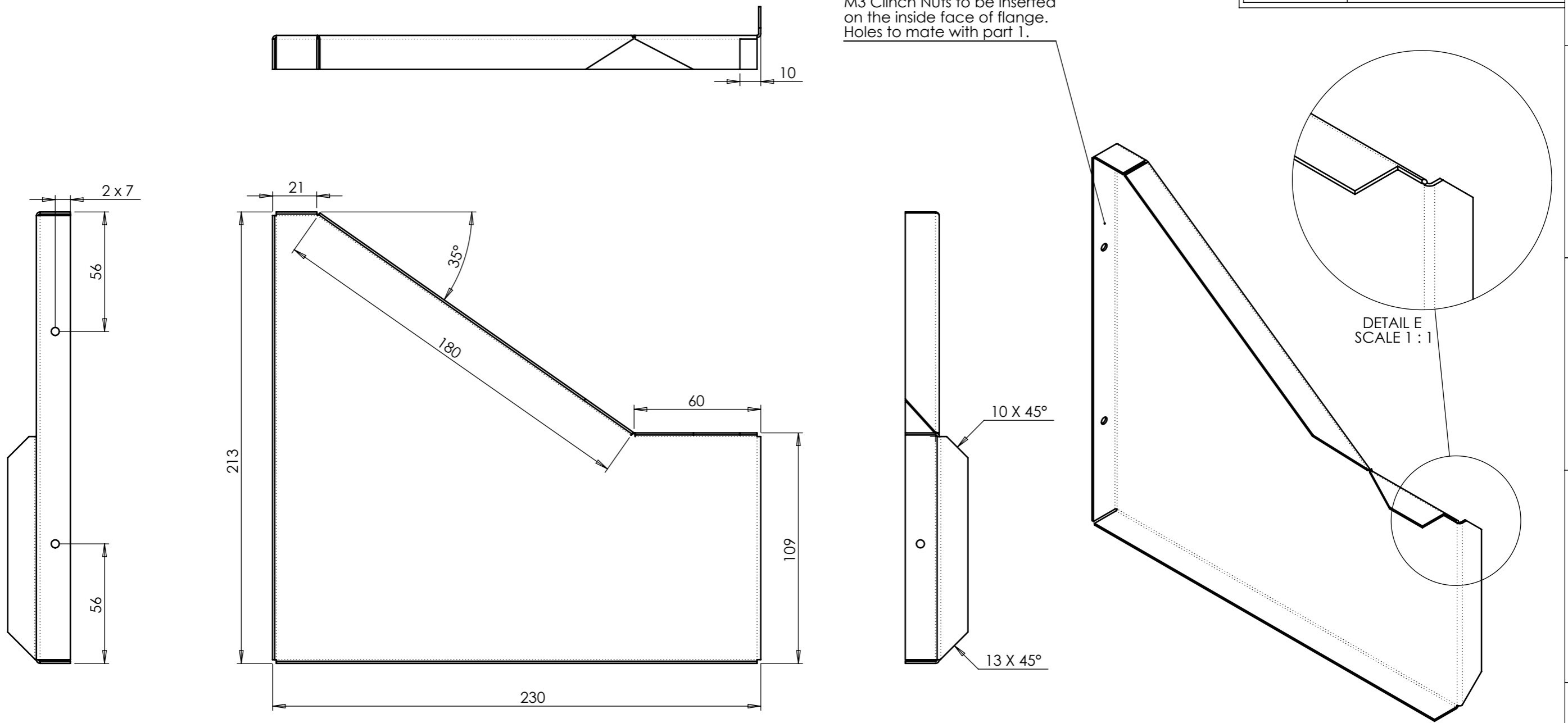
Development Drawing



 POSEIDON SCIENTIFIC INSTRUMENTS <small>17 QUEEN VICTORIA ST, FREMANTLE WA 6160 PH: (08) 9430 6639 FAX (08) 9335 4650</small>			
DRAWING NAME			
Electronics Case Part 2			
SIZE A3	DRAWN BY C.Coleman	DRAWING FILENAME. MWAM038 Electronics Case.SLDDRW	
SCALE 1:5	DATE 29/04/2010	COMPONENT NAME MWAM038_2 Electronics Case Part 2.SLDPRT	REV B
SHEET 3 of 10			

SPECIFICATIONS	
UNITS	MILLIMETERS
TOLERANCES	± 0.5 mm UNLESS STATED
MATERIAL	1 mm steel, zinc seal
FINISH	RAW - Orbital Sand Finish

M3 Clinch Nuts to be inserted on the inside face of flange. Holes to mate with part 1.

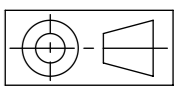


See Sheet 9 for Development Drawing

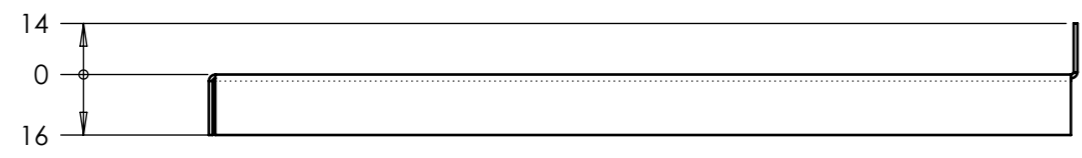
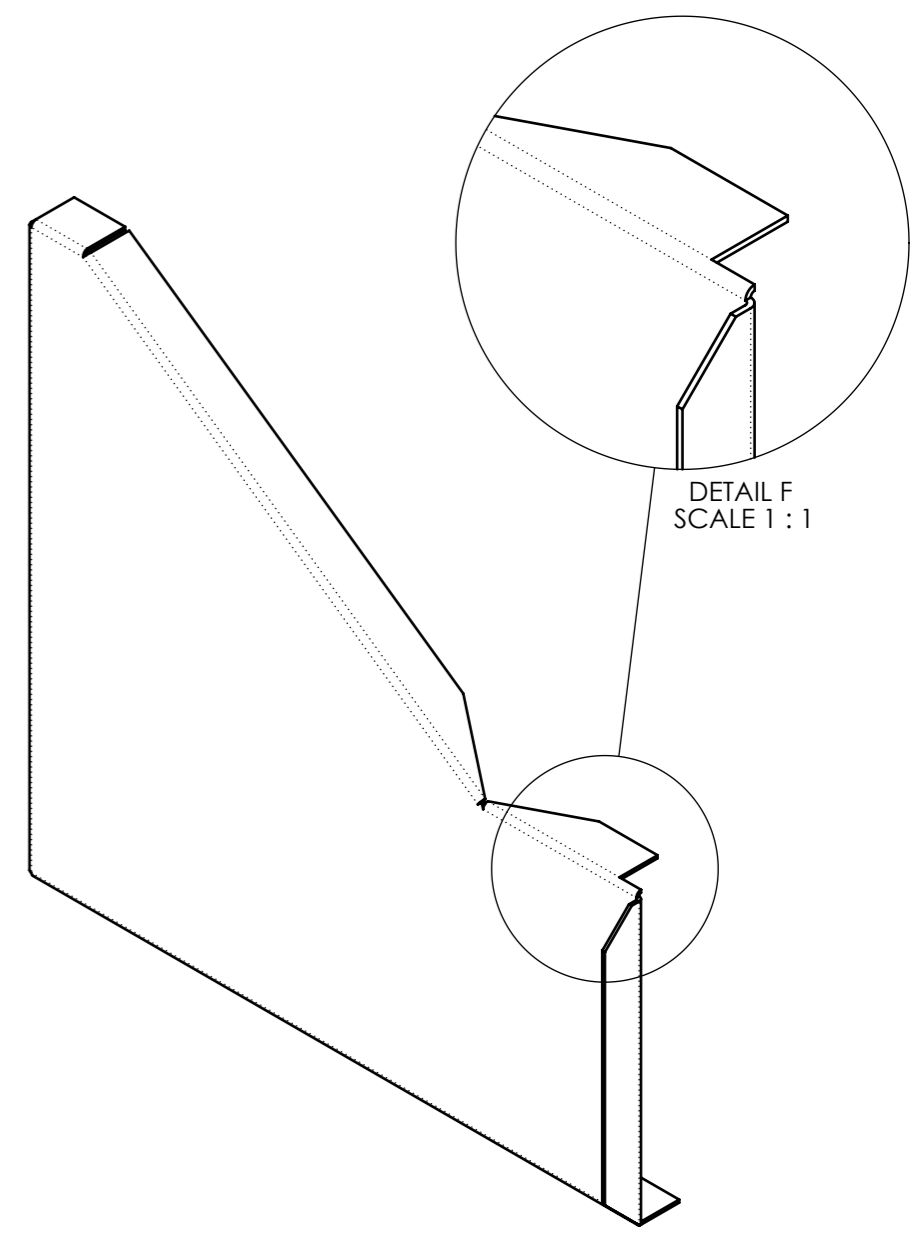
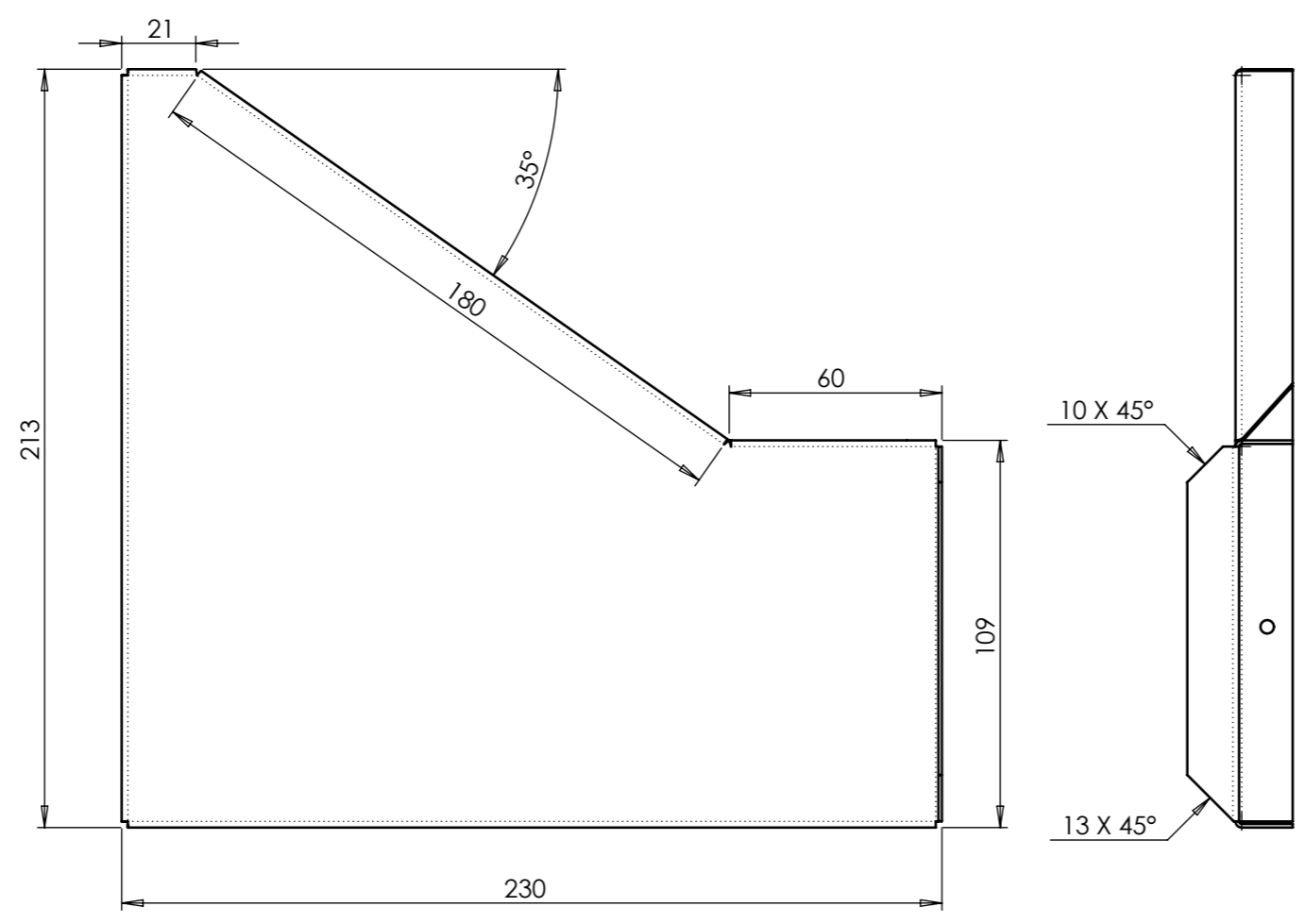
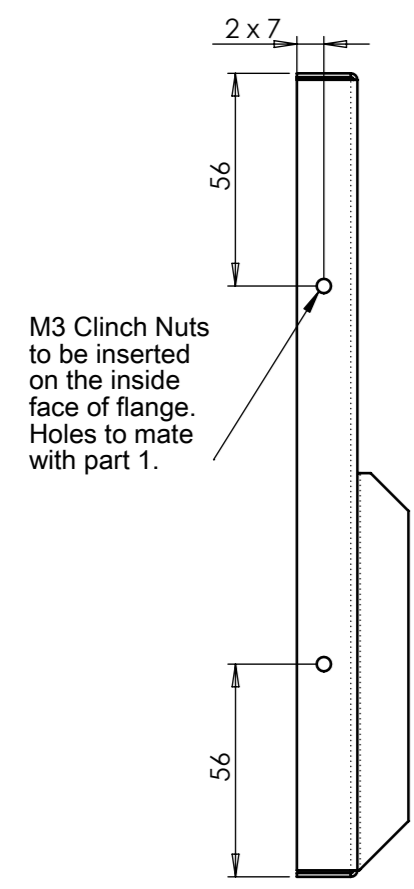
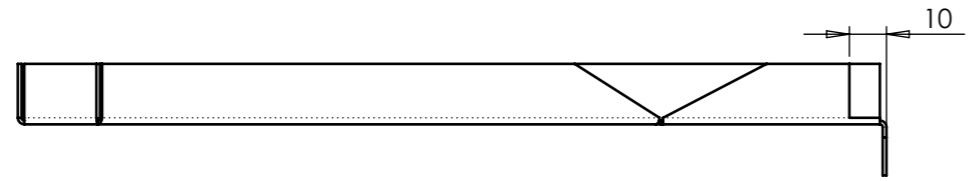
PSI POSEIDON SCIENTIFIC INSTRUMENTS
 17 QUEEN VICTORIA ST, FREMANTLE WA 6160 PH: (08) 9430 6639 FAX (08) 9335 4650

DRAWING NAME: **Electronics Case Part 3**

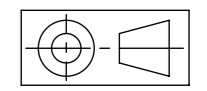
SIZE: A3	DRAWN BY: C.Coleman	DRAWING FILENAME: MWAM038 Electronics Case.SLDDRW	
SCALE: 1:2	DATE: 29/04/2010	COMPONENT NAME: MWAM038_3 Electronics Case Part 3.SLDPRT	REV: B
SHEET: 4 of 10			




SPECIFICATIONS	
UNITS	MILLIMETERS
TOLERANCES	± 0.5 mm UNLESS STATED
MATERIAL	1 mm steel, zinc seal
FINISH	RAW - Orbital Sand Finish

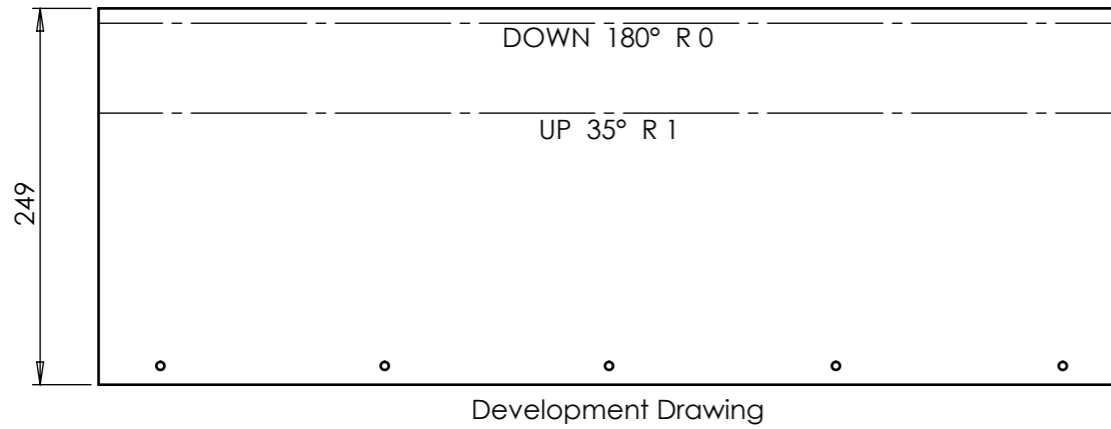


See Sheet 10 for Development Drawing

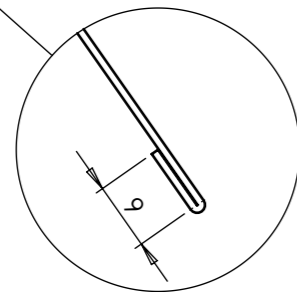
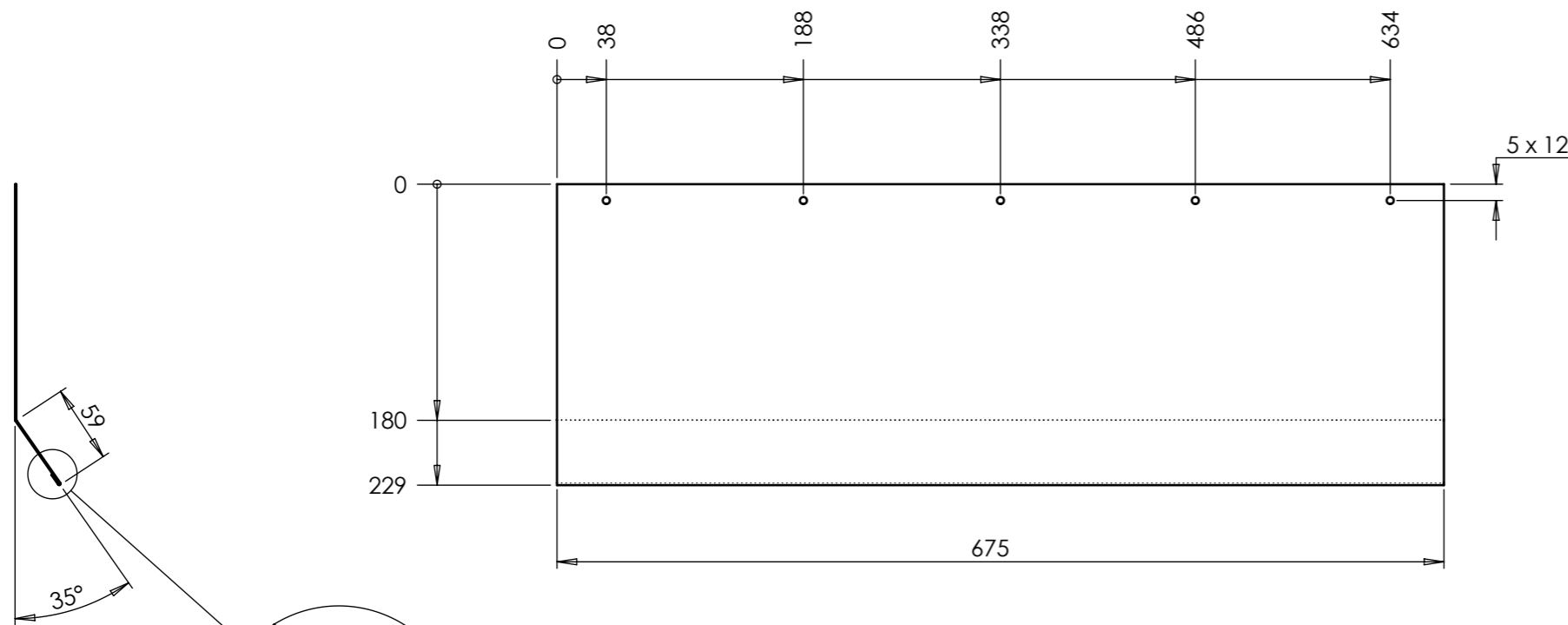
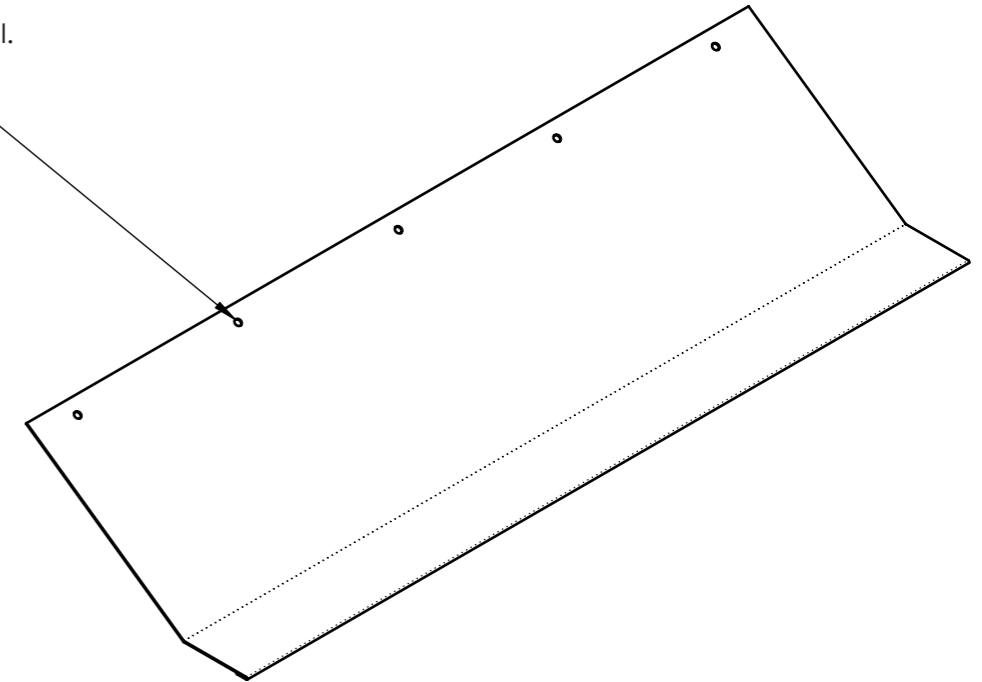


 POSEIDON SCIENTIFIC INSTRUMENTS <small>17 QUEEN VICTORIA ST, FREMANTLE WA 6160 PH: (08) 9430 6639 FAX (08) 9335 4650</small>			
DRAWING NAME			
Electronics Case Part 4			
SIZE	DRAWN BY	DRAWING FILENAME.	
A3	C.Coleman	MWAM038 Electronics Case.SLDDRW	
SCALE	DATE	COMPONENT NAME	REV
1:2	29/04/2010	MWAM038_4 Electronics Case Part 4.SLDPRT	B
SHEET			
5 of 10			

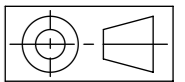
SPECIFICATIONS	
UNITS	MILLIMETERS
TOLERANCES	± 0.5 mm UNLESS STATED
MATERIAL	1 mm steel, zinc seal
FINISH	RAW - Orbital Sand Finish



M4 clinch nuts to be inserted on the under side of sheet metal. Holes to mate with Part 1.



DETAIL G
SCALE 1 : 1

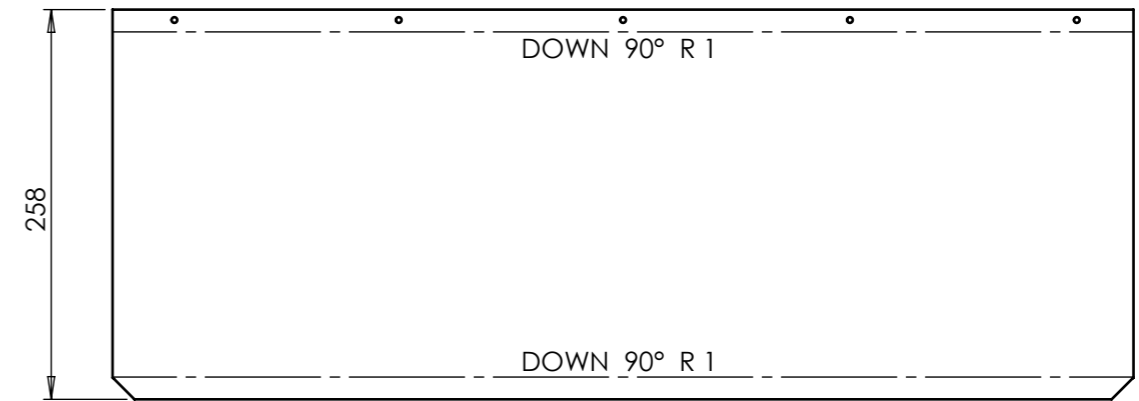
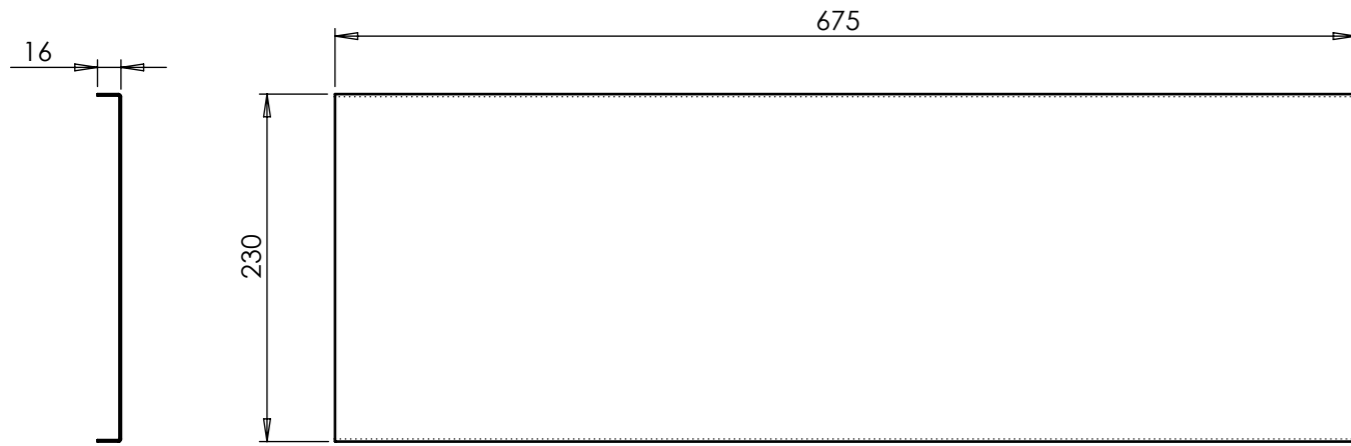
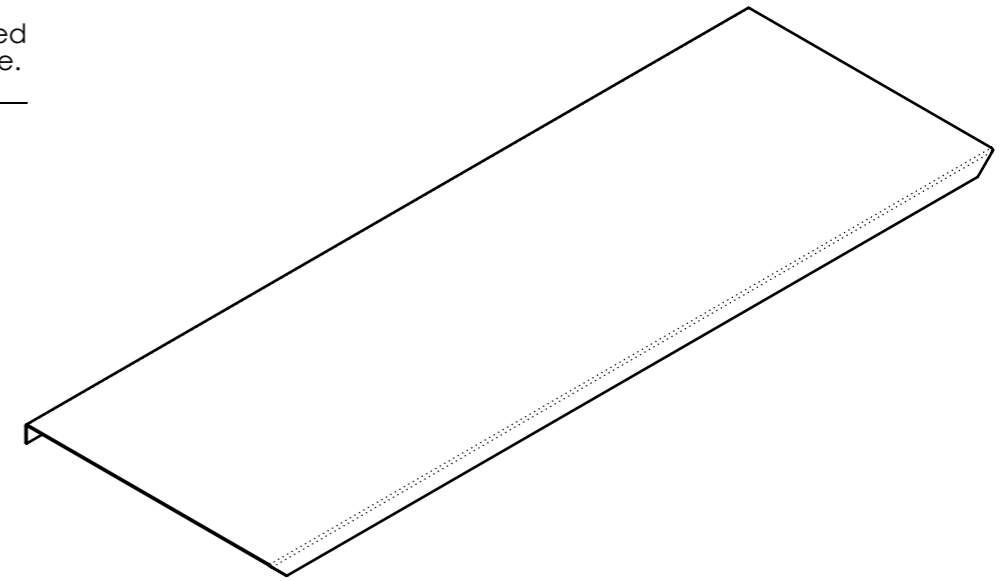
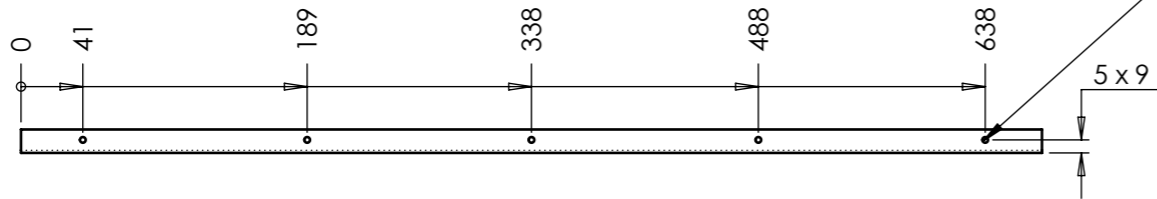


PSI POSEIDON SCIENTIFIC INSTRUMENTS
17 QUEEN VICTORIA ST, FREMANTLE WA 6160 PH: (08) 9430 6639 FAX (08) 9335 4650

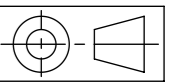
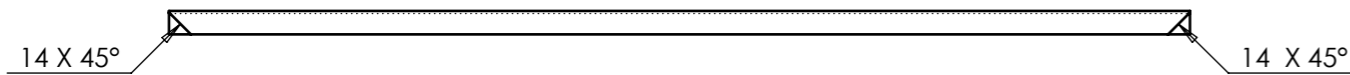
DRAWING NAME Electronics Case Part 5			
SIZE A3	DRAWN BY C.Coleman	DRAWING FILENAME. MWAM038 Electronics Case.SLDDRW	
SCALE 1:5	DATE 29/04/2010	COMPONENT NAME MWAM038_5 Electronics Case Part 5.SLDPRT	REV B
SHEET 6 of 10			


SPECIFICATIONS	
UNITS	MILLIMETERS
TOLERANCES	± 0.5 mm UNLESS STATED
MATERIAL	1 mm steel, zinc seal
FINISH	RAW - Orbital Sand Finish

M3 clinch nuts to be inserted on the inside face of flange. Holes to mate with part 1.

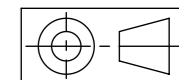
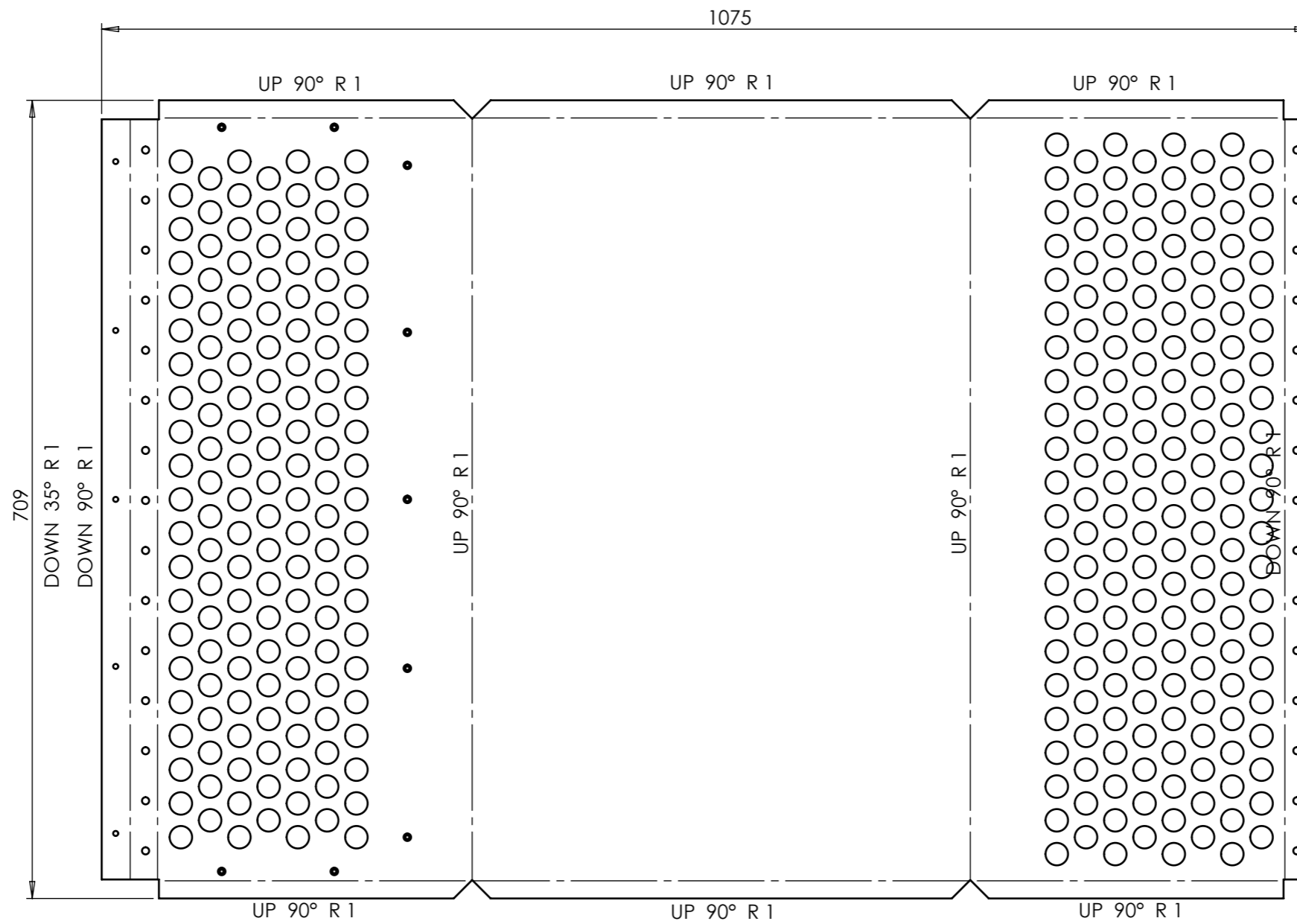


Development Drawing



 POSEIDON SCIENTIFIC INSTRUMENTS <small>17 QUEEN VICTORIA ST, FREMANTLE WA 6160 PH: (08) 9430 6639 FAX (08) 9335 4650</small>			
DRAWING NAME			
Electronics Case Part 6			
SIZE	DRAWN BY	DRAWING FILENAME.	
A3	C.Coleman	MWAM038 Electronics Case.SLDDRW	
SCALE	DATE	COMPONENT NAME	REV
1:5	29/04/2010	MWAM038_6 Electronics Case Part 6.SLDPRT	B
SHEET			
7 of 10			

SPECIFICATIONS	
UNITS	MILLIMETERS
TOLERANCES	± 0.5 mm UNLESS STATED
MATERIAL	2mm ALUMINIUM SHEET
FINISH	RAW - Orbital Sand Finish

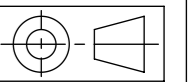
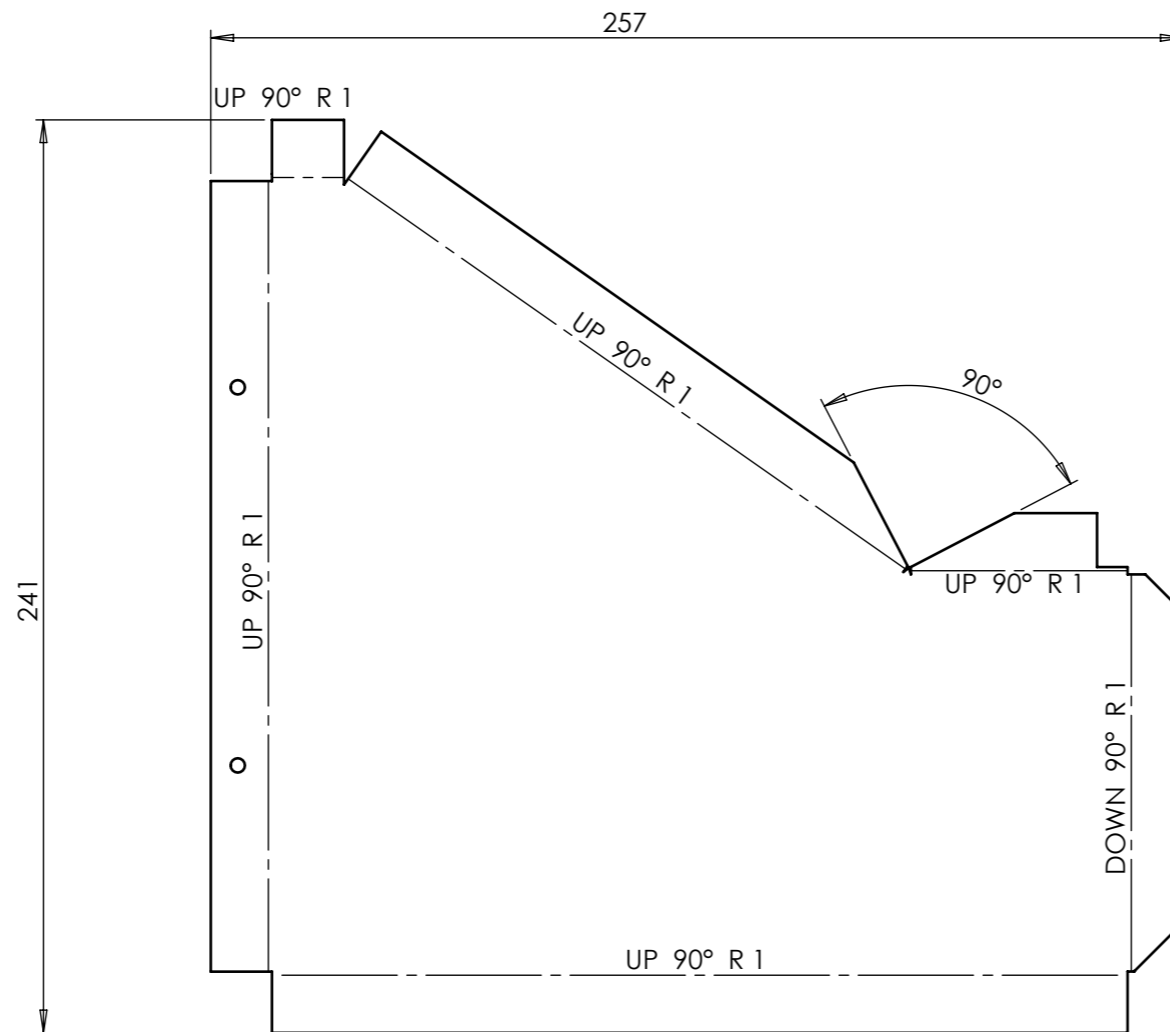



PSI POSEIDON SCIENTIFIC INSTRUMENTS
 17 QUEEN VICTORIA ST, FREMANTLE WA 6160 PH: (08) 9430 6639 FAX (08) 9335 4650

DRAWING NAME
 Electronics Case Part 1 Development Drawing

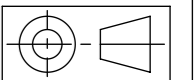
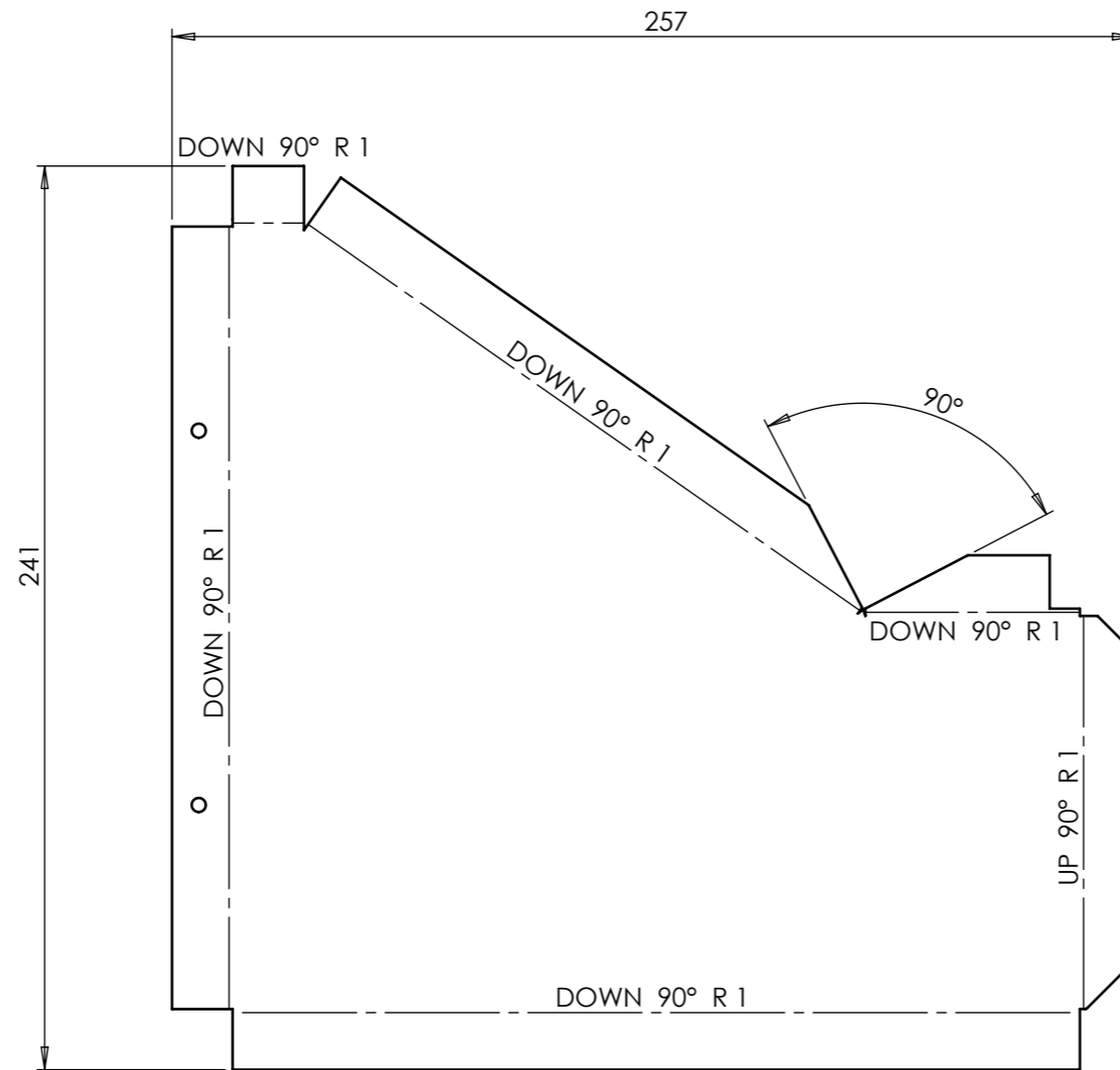
SIZE A3	DRAWN BY C.Coleman	DRAWING FILENAME. MWAM038_Electronics Case.SLDDRW	
SCALE 1:5	DATE 29/04/2010	COMPONENT NAME MWAM038_1_Electronics Case Part 1.SLDPRT	REV B
SHEET 8 of 10			


SPECIFICATIONS	
UNITS	MILLIMETERS
TOLERANCES	± 0.5 mm UNLESS STATED
MATERIAL	1mm steel, zinc seal
FINISH	RAW - Orbital Sand Finish



 PSI POSEIDON SCIENTIFIC INSTRUMENTS <small>17 QUEEN VICTORIA ST, FREMANTLE WA 6160 PH: (08) 9430 6639 FAX (08) 9335 4650</small>			
DRAWING NAME			
Electronics Case Part 3 Development Drawing			
SIZE	DRAWN BY	DRAWING FILENAME.	
A3	C.Coleman	MWAM038_Electronics Case.SLDDRW	
SCALE	DATE	COMPONENT NAME	REV
1:2	29/04/2010	MWAM038_3_Electronics Case Part 3.SLDPRT	B
SHEET			
9 of 10			

SPECIFICATIONS	
UNITS	MILLIMETERS
TOLERANCES	± 0.5 mm UNLESS STATED
MATERIAL	1mm steel, zinc seal
FINISH	RAW - Orbital Sand Finish



 PSI POSEIDON SCIENTIFIC INSTRUMENTS <small>17 QUEEN VICTORIA ST, FREMANTLE WA 6160 PH: (08) 9430 6639 FAX (08) 9335 4650</small>			
DRAWING NAME			
Electronics Case Part 4 Development Drawing			
SIZE	DRAWN BY	DRAWING FILENAME.	
A3	C.Coleman	MWAM038_Electronics Case.SLDDRW	
SCALE	DATE	COMPONENT NAME	REV
1:5	29/04/2010	MWAM038_4_Electronics Case Part 4.SLDPRT	B
SHEET			
10 of 10			