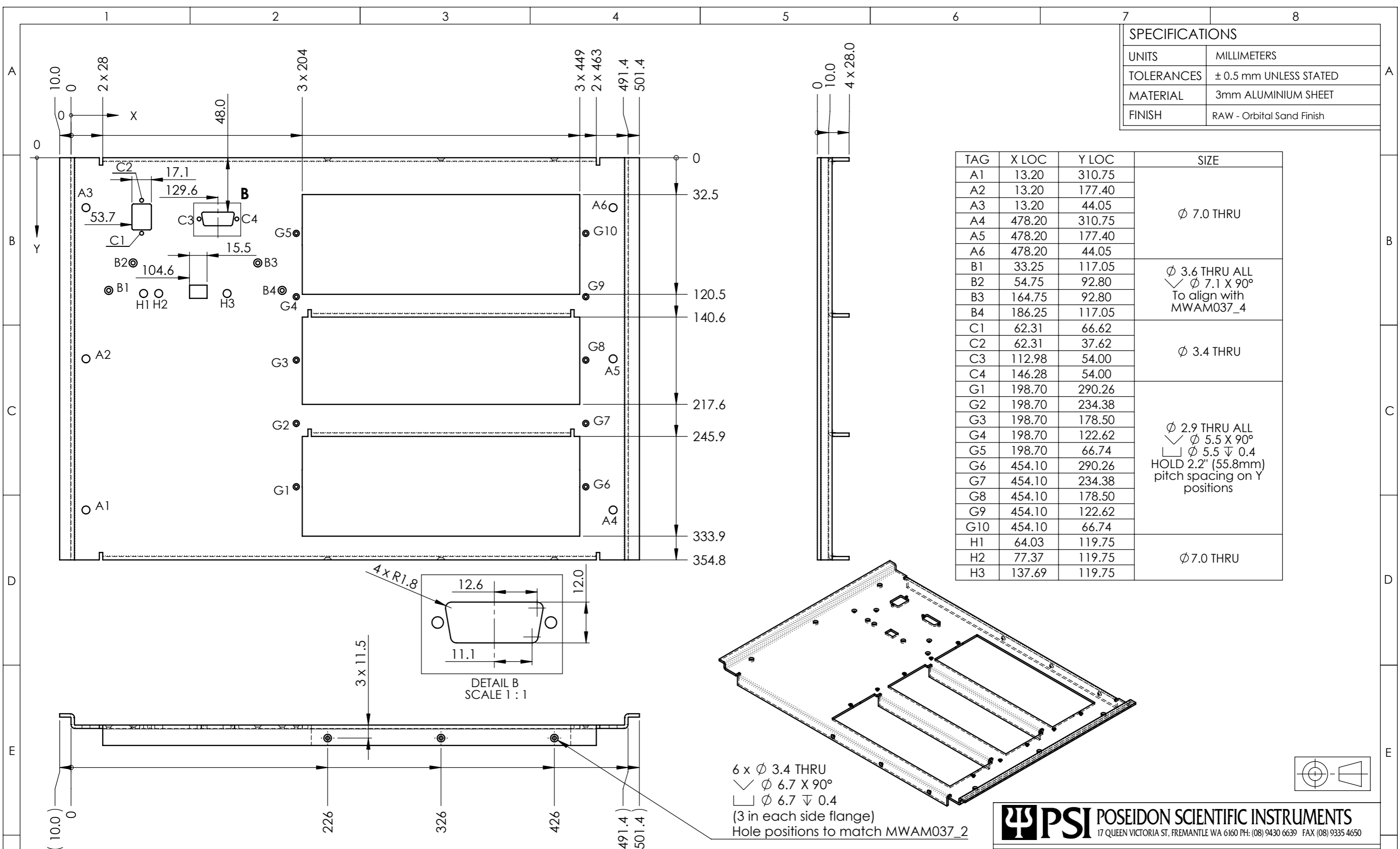


SPECIFICATIONS	
UNITS	MILLIMETERS
TOLERANCES	± 0.5 mm UNLESS STATED
MATERIAL	3mm ALUMINIUM SHEET
FINISH	RAW - Orbital Sand Finish

TAG	X LOC	Y LOC	SIZE
A1	13.20	310.75	Ø 7.0 THRU
A2	13.20	177.40	
A3	13.20	44.05	
A4	478.20	310.75	
A5	478.20	177.40	
A6	478.20	44.05	
B1	33.25	117.05	Ø 3.6 THRU ALL ✓ Ø 7.1 X 90° To align with MWAM037_4
B2	54.75	92.80	
B3	164.75	92.80	
B4	186.25	117.05	
C1	62.31	66.62	Ø 3.4 THRU
C2	62.31	37.62	
C3	112.98	54.00	
C4	146.28	54.00	
G1	198.70	290.26	Ø 2.9 THRU ALL ✓ Ø 5.5 X 90° □ Ø 5.5 ∓ 0.4 HOLD 2.2" (55.8mm) pitch spacing on Y positions
G2	198.70	234.38	
G3	198.70	178.50	
G4	198.70	122.62	
G5	198.70	66.74	
G6	454.10	290.26	
G7	454.10	234.38	
G8	454.10	178.50	
G9	454.10	122.62	
G10	454.10	66.74	
H1	64.03	119.75	Ø 7.0 THRU
H2	77.37	119.75	
H3	137.69	119.75	



6 x Ø 3.4 THRU
 ✓ Ø 6.7 X 90°
 □ Ø 6.7 ∓ 0.4
 (3 in each side flange)
 Hole positions to match MWAM037_2

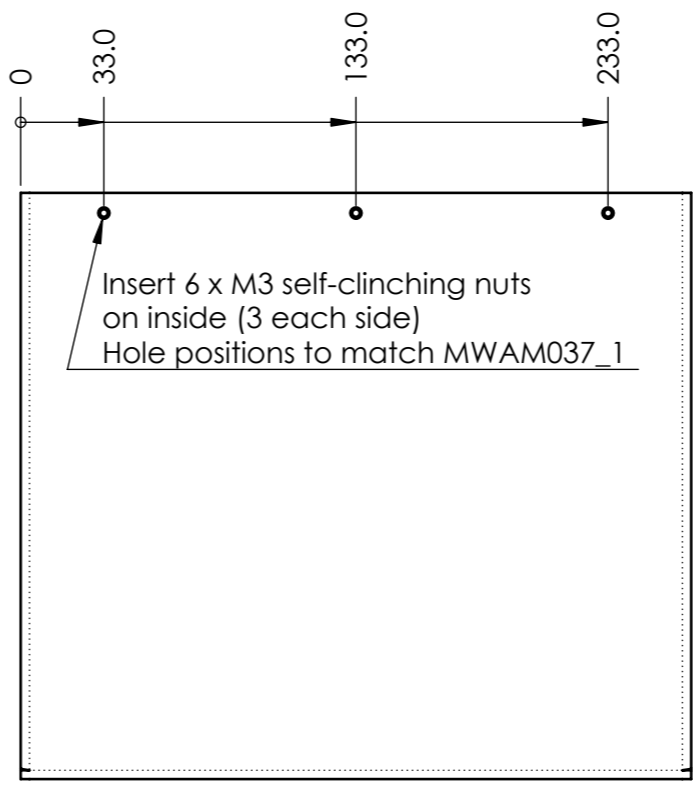
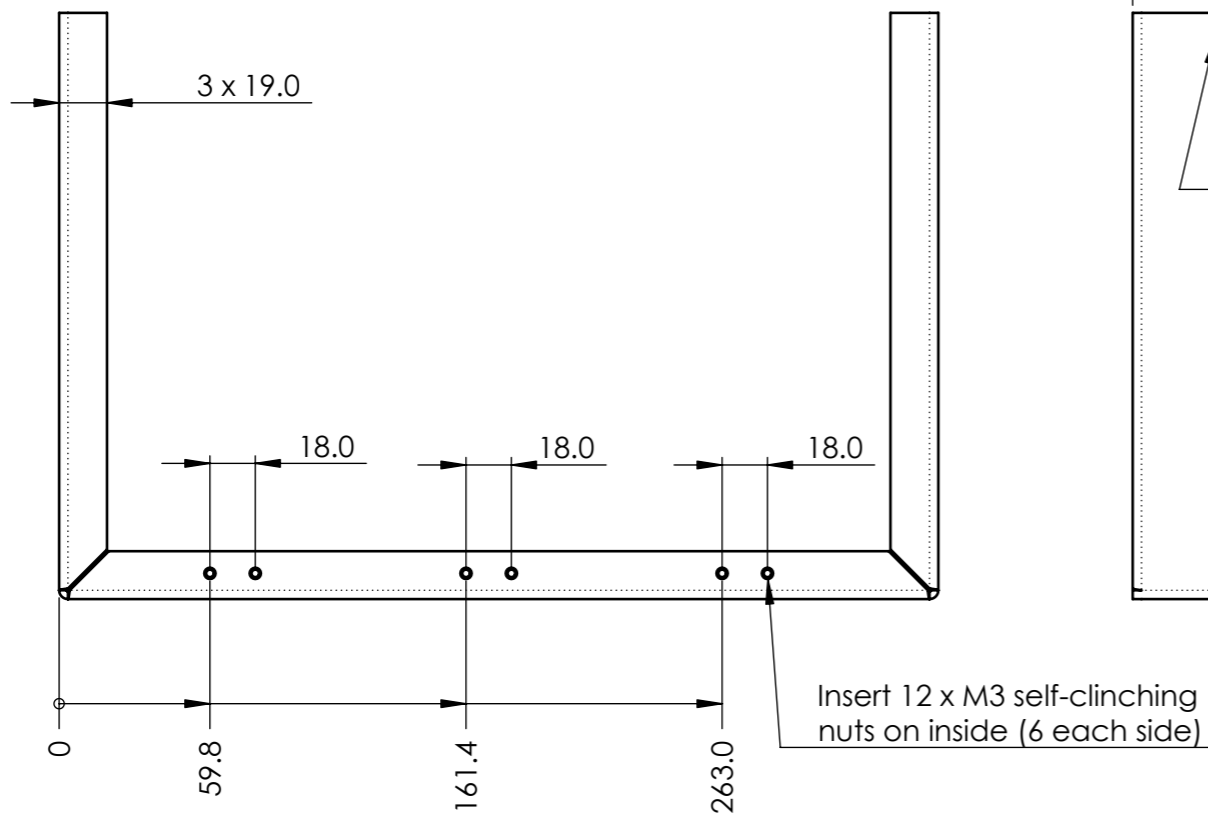
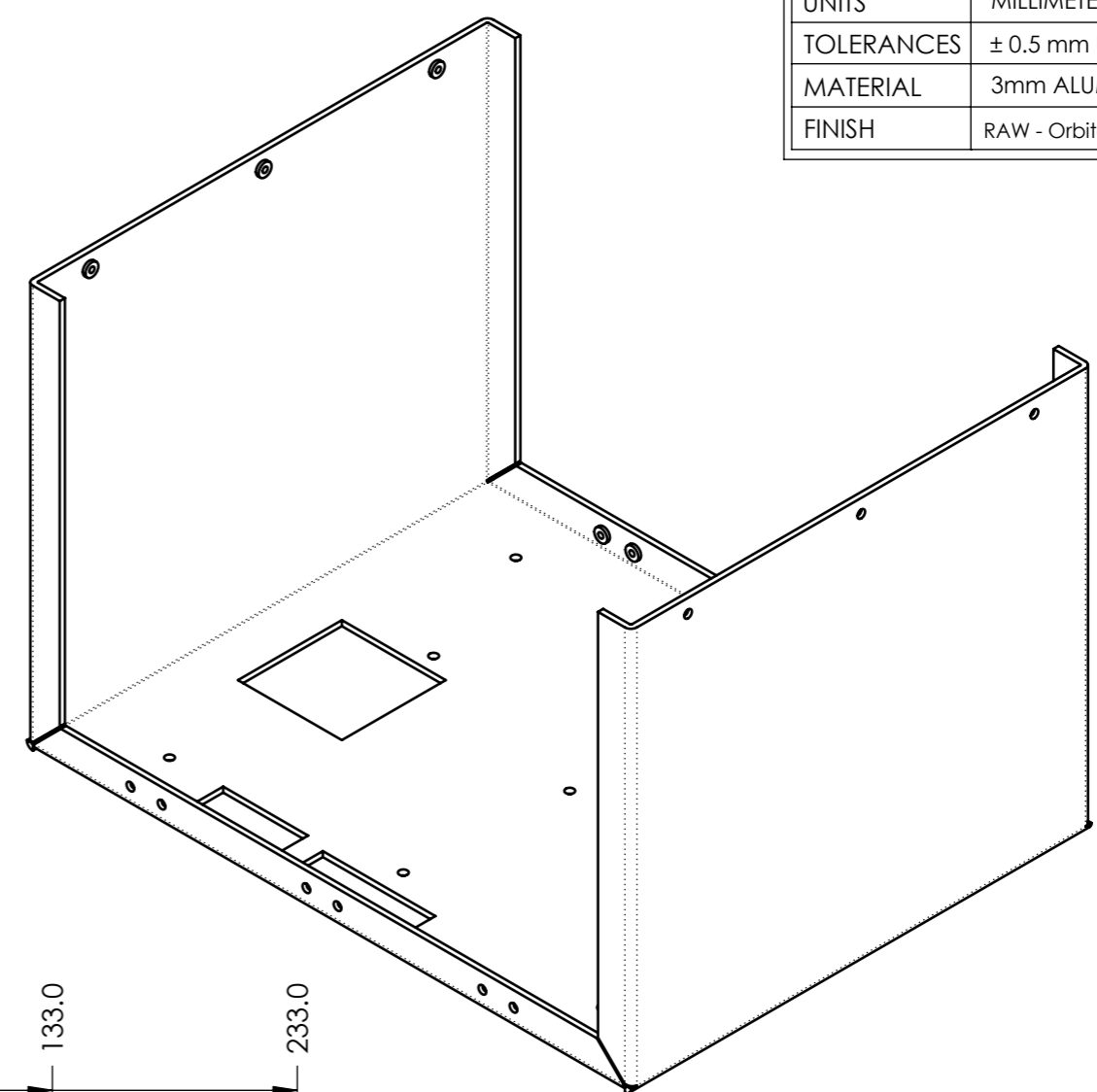
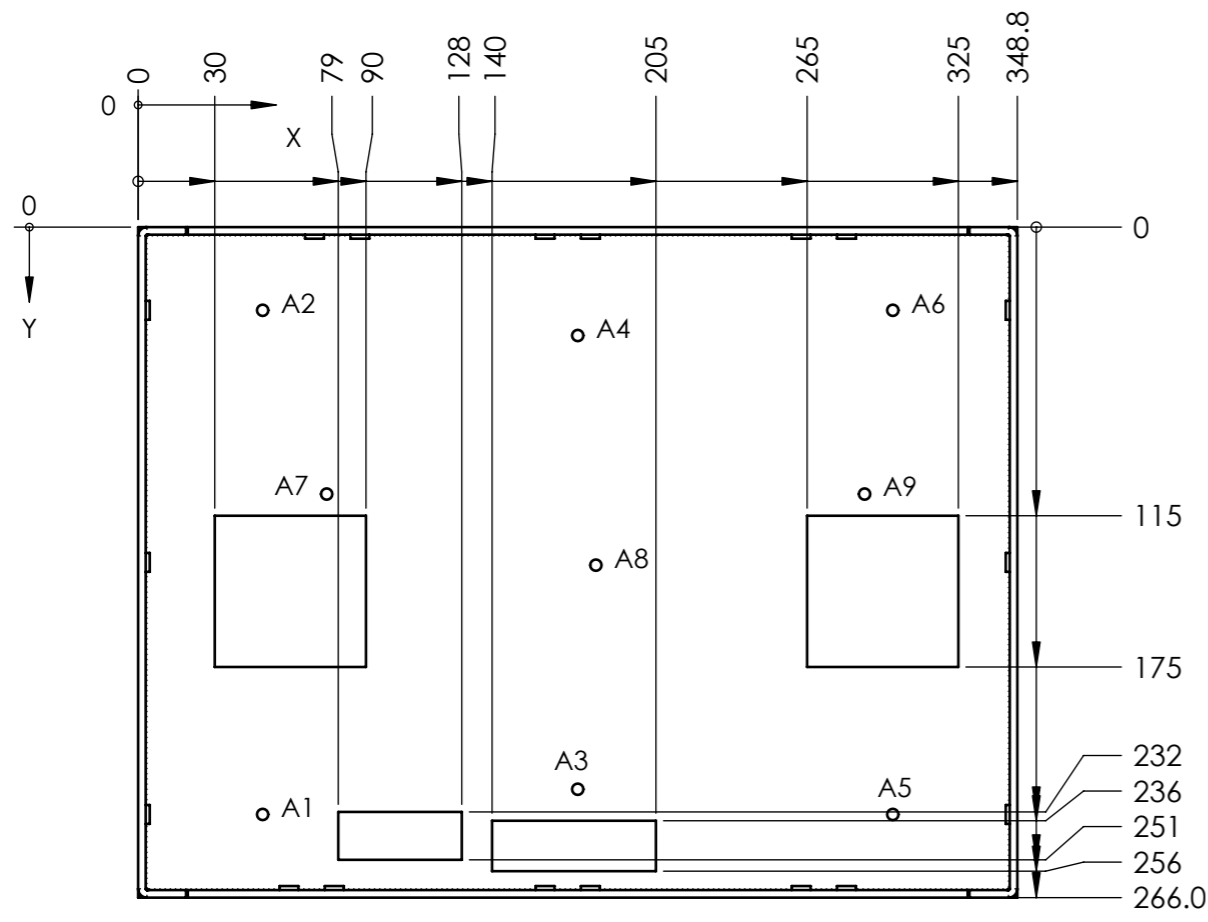
REVISIONS				
ZONE	REV.	DESCRIPTION	DATE	APPROVED
	B	1. Additional edge folds. 2. Another cutout in MWAM037_2 base. 3. MWAM031 / MWAM033 connector mount modification (see detail A on both sheets). 4. Additional Ø 9.5 hole on MWAM037_4 base.	29/04/2010	

PSI POSEIDON SCIENTIFIC INSTRUMENTS
 17 QUEEN VICTORIA ST, FREMANTLE WA 6160 PH: (08) 9430 6639 FAX (08) 9335 4650

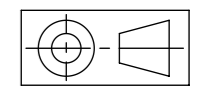
DRAWING NAME
MWAM037_1 Digital crate rack front

SIZE A3	DRAWN BY C.Coleman	DRAWING FILENAME. MWAM037 Digital rack.SLDDRW	
SCALE 1:3	DATE 29/04/2010	COMPONENT NAME MWAM037_1 Digital crate rack front.SLDPR1	REV B
SHEET 1 of 6			

SPECIFICATIONS	
UNITS	MILLIMETERS
TOLERANCES	± 0.5 mm UNLESS STATED
MATERIAL	3mm ALUMINIUM SHEET
FINISH	RAW - Orbital Sand Finish



TAG	X LOC	Y LOC	SIZE
A1	49.40	233.00	Ø 4.5 THRU
A2	49.40	33.00	
A3	174.40	223.00	
A4	174.40	43.00	
A5	299.40	233.00	
A6	299.40	33.00	
A7	74.80	105.90	
A8	181.60	134.10	
A9	288.20	105.90	

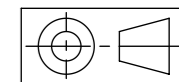
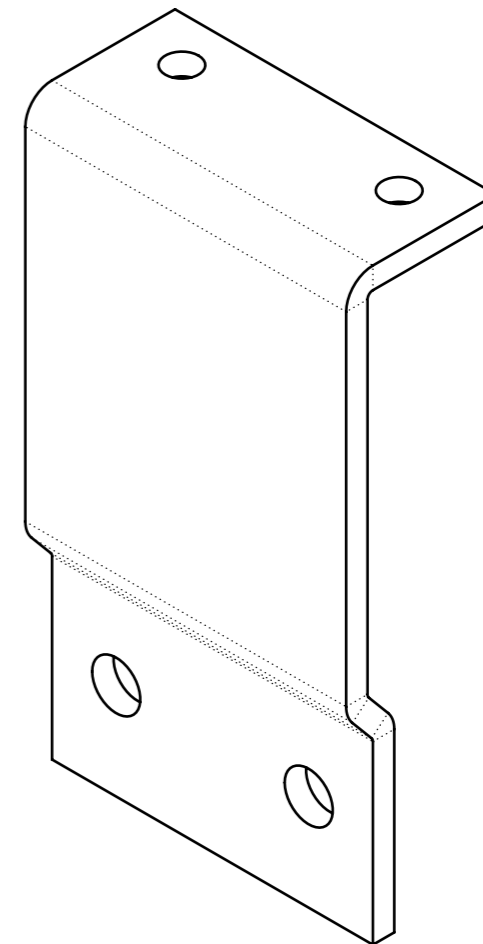
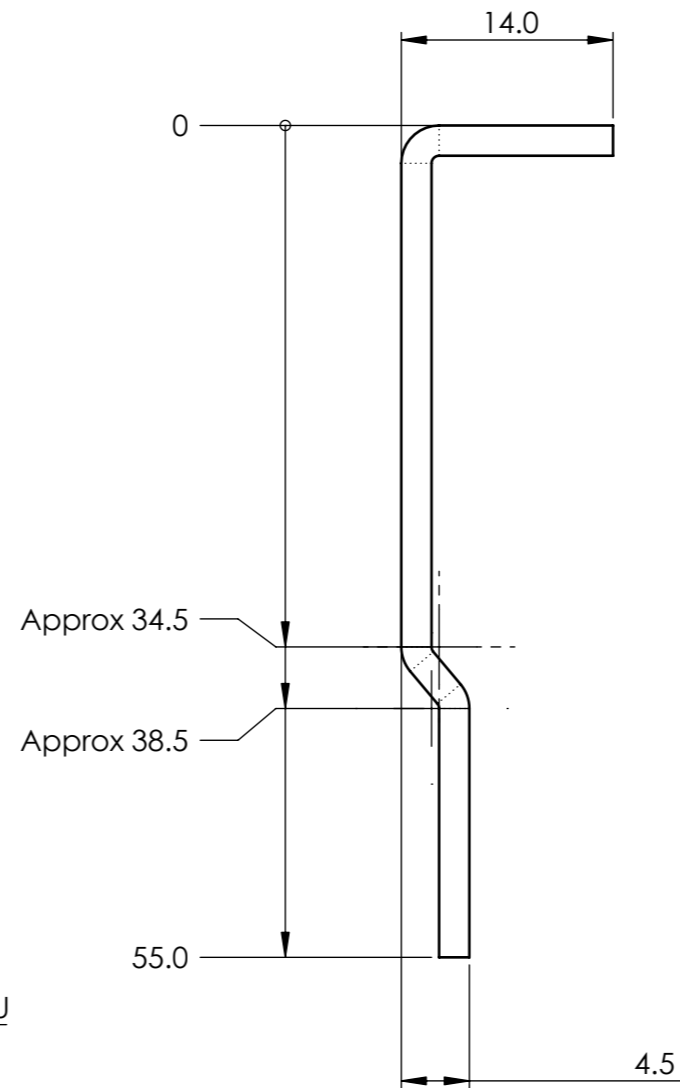
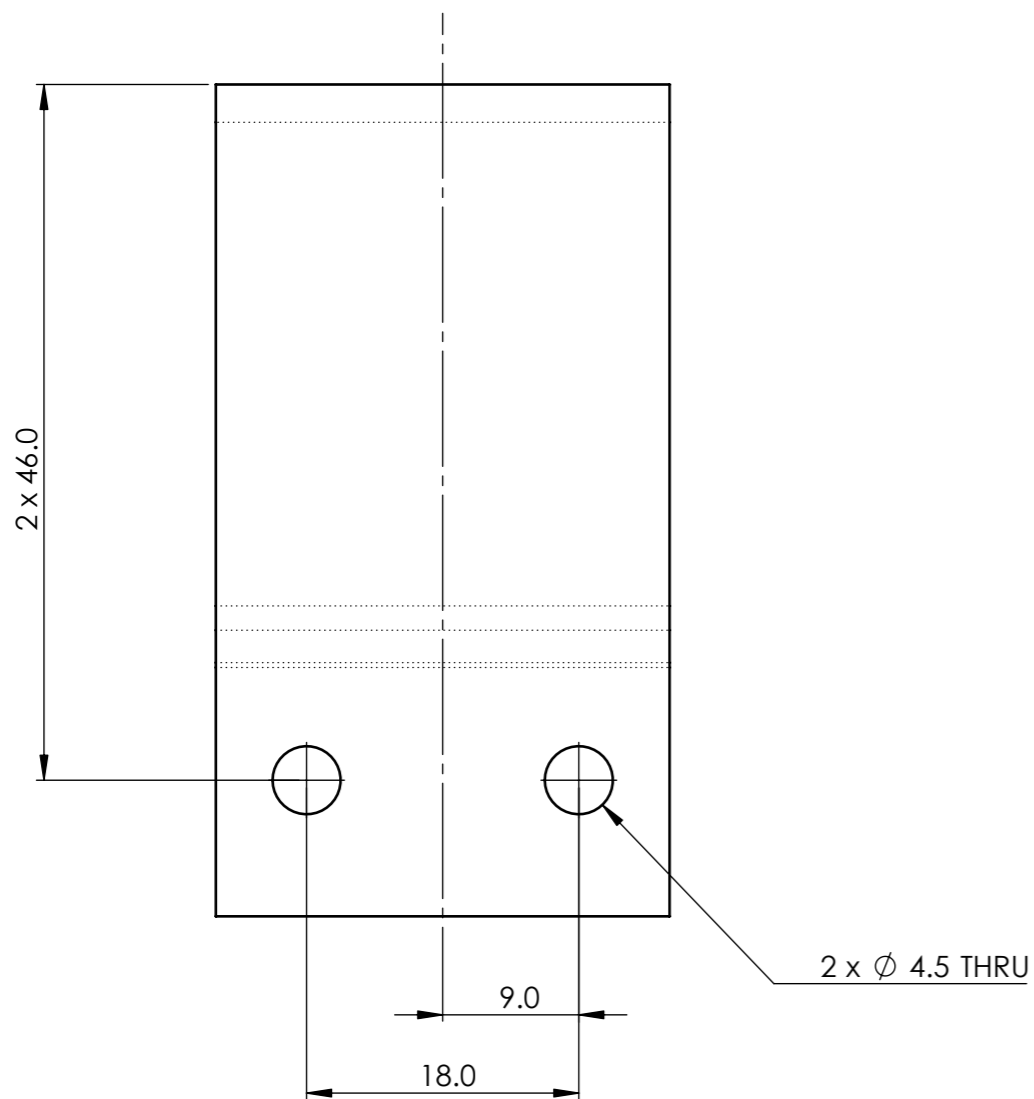
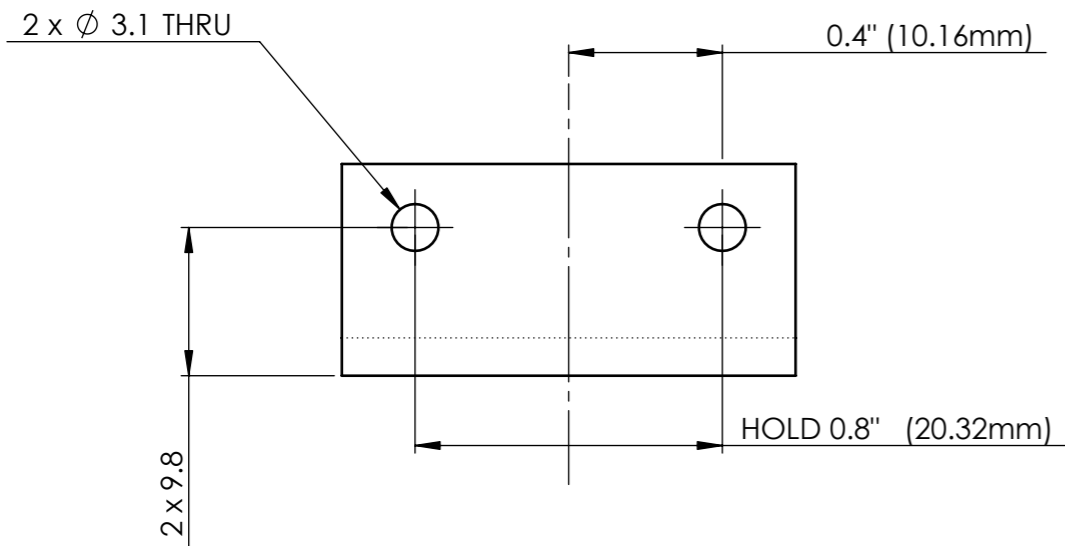


PSI POSEIDON SCIENTIFIC INSTRUMENTS
 17 QUEEN VICTORIA ST, FREMANTLE WA 6160 PH: (08) 9430 6639 FAX (08) 9335 4650

DRAWING NAME
MWAM037_2 Digital crate back support

SIZE A3	DRAWN BY C.Coleman	DRAWING FILENAME. MWAM037 Digital rack.SLDDRW	
SCALE 1:3	DATE 29/04/2010	COMPONENT NAME MWAM037_2 Digital crate back support.SLDPRT	REV B
SHEET 2 of 6			

SPECIFICATIONS	
UNITS	MILLIMETERS
TOLERANCES	± 0.5 mm UNLESS STATED
MATERIAL	2mm ALUMINIUM SHEET
FINISH	RAW - Orbital Sand Finish



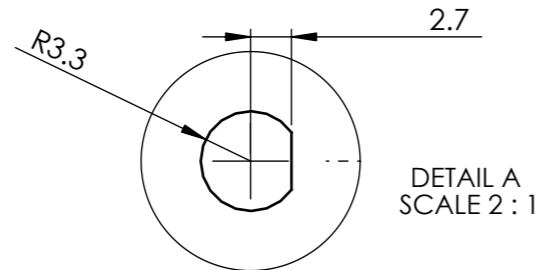
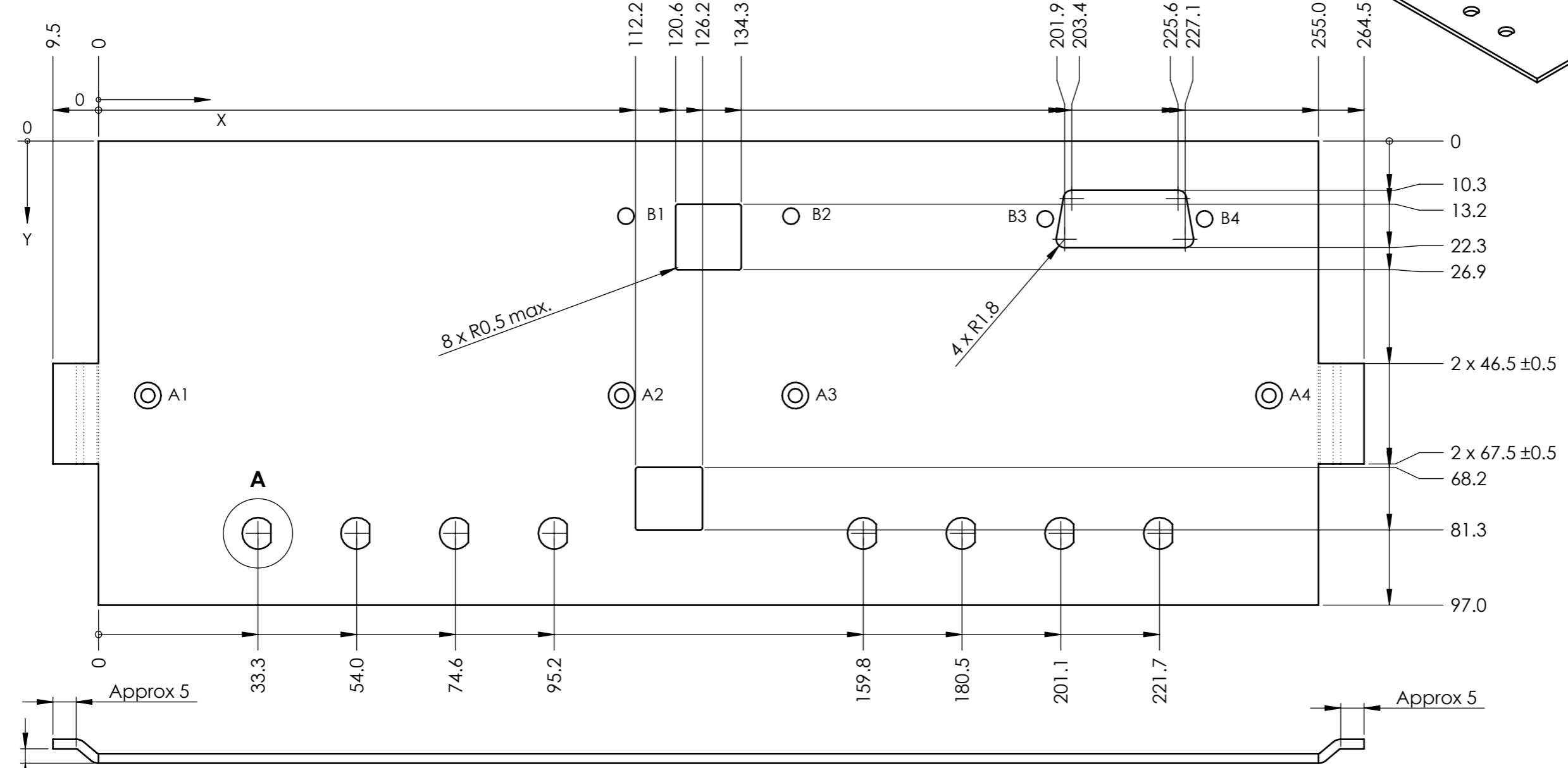
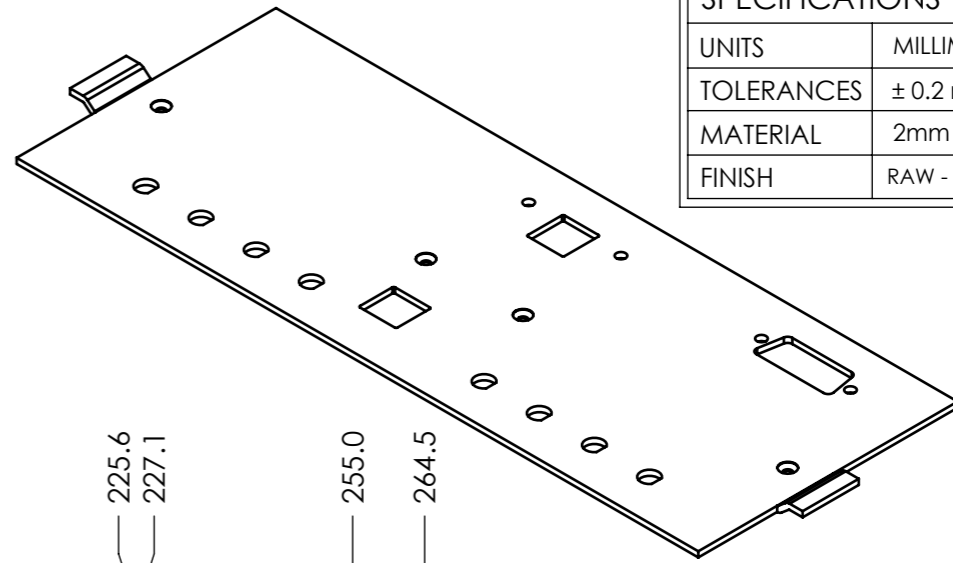
PSI POSEIDON SCIENTIFIC INSTRUMENTS
 17 QUEEN VICTORIA ST, FREMANTLE WA 6160 PH: (08) 9430 6639 FAX (08) 9335 4650

DRAWING NAME
 MWAM037_3 Backplane Stabiliser

SIZE A3	DRAWN BY C.Coleman	DRAWING FILENAME. MWAM037 Digital rack.SLDDRW	
SCALE 2:1	DATE 29/04/2010	COMPONENT NAME MWAM037_3 Backplane stabiliser.SLDPRT	REV B
SHEET 3 of 6			

SPECIFICATIONS	
UNITS	MILLIMETERS
TOLERANCES	± 0.2 mm UNLESS STATED
MATERIAL	2mm ALUMINIUM SHEET
FINISH	RAW - Orbital Sand Finish

TAG	X LOC	Y LOC	SIZE
A1	10.33	53.20	ϕ 2.9 THRU \checkmark ϕ 5.5 X 90° \square ϕ 5.5 ∇ 0.2
A2	109.33	53.20	
A3	145.63	53.20	
A4	244.63	53.20	
B1	110.23	15.70	ϕ 3.4 THRU
B2	144.73	15.70	
B3	197.85	16.28	
B4	231.15	16.28	

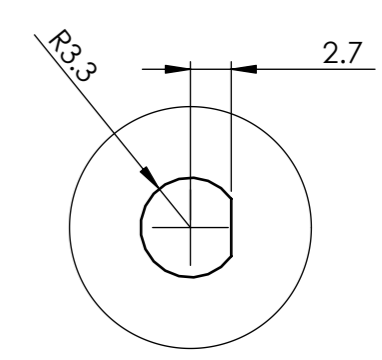
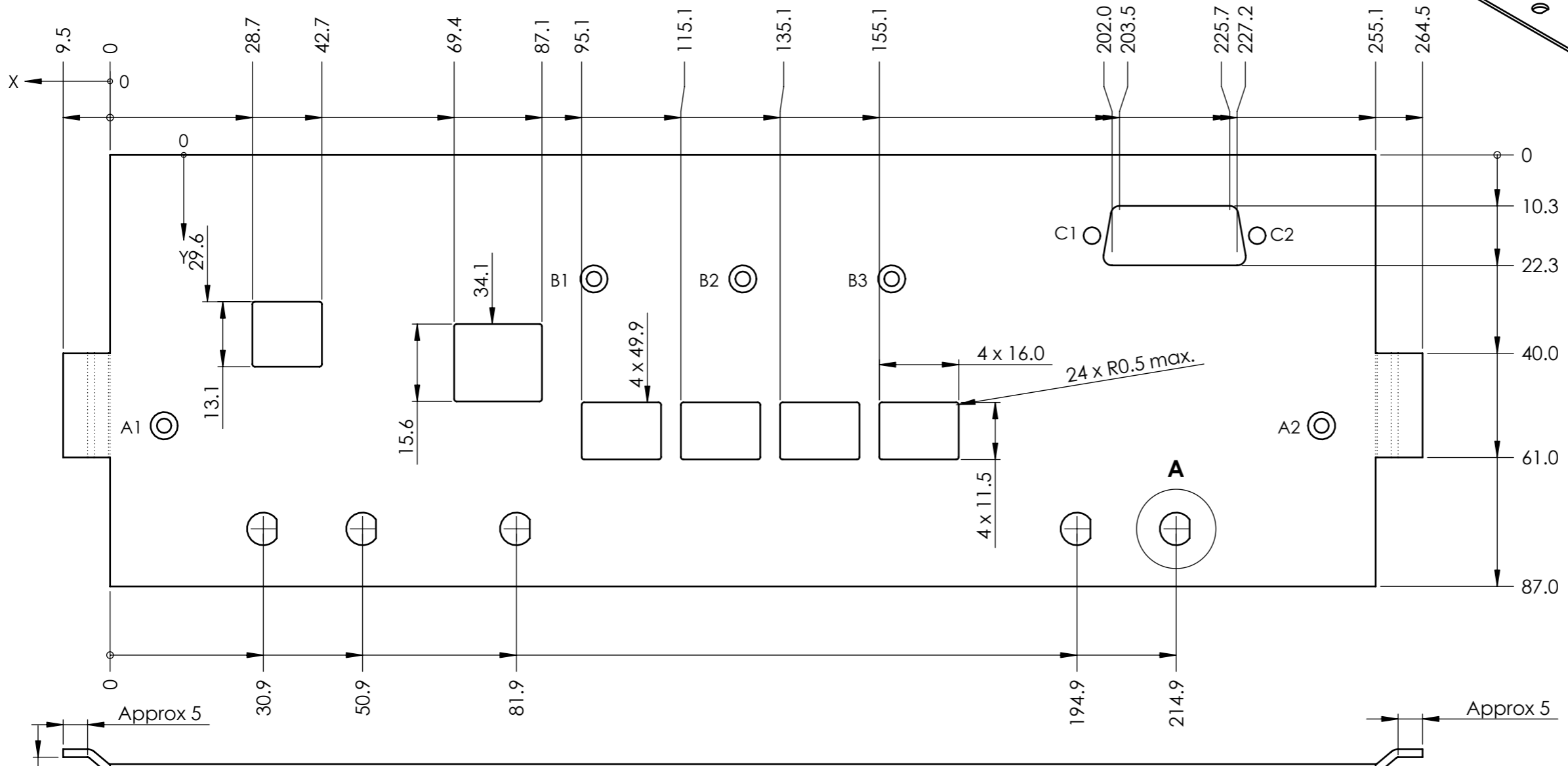
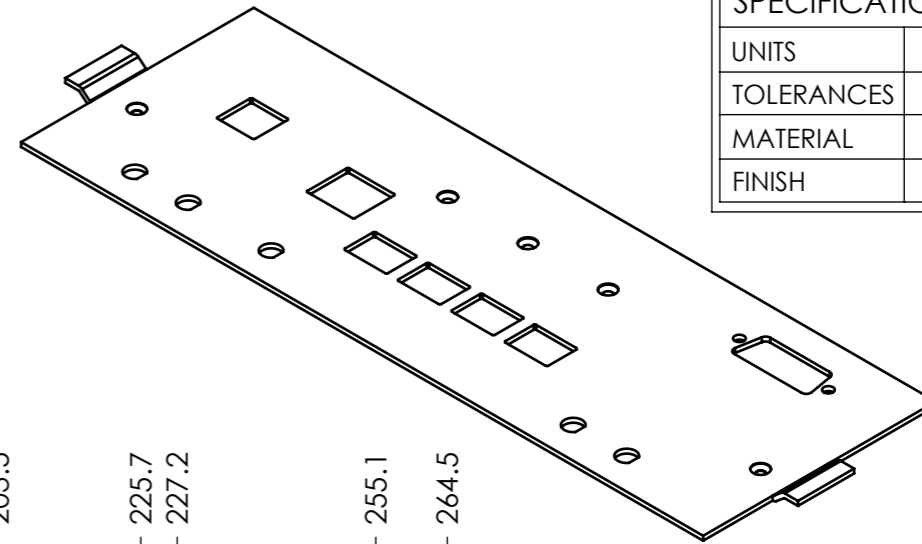


PSI POSEIDON SCIENTIFIC INSTRUMENTS
 17 QUEEN VICTORIA ST, FREMANTLE WA 6160 PH: (08) 9430 6639 FAX (08) 9335 4650

DRAWING NAME: MWAM031 ADFB Front panel

SIZE: A3	DRAWN BY: I MOORE	DRAWING FILENAME: MWAM037 Digital rack.SLDDRW	
SCALE: 1:1	DATE: 29/04/2010	COMPONENT NAME: MWAM031 ADFB front panel.SLDPRT	REV: B
SHEET: 4 of 6			

SPECIFICATIONS	
UNITS	MILLIMETERS
TOLERANCES	± 0.2 mm UNLESS STATED
MATERIAL	ALUMINIUM 6061 - T6
FINISH	RAW - Orbital Sand Finish



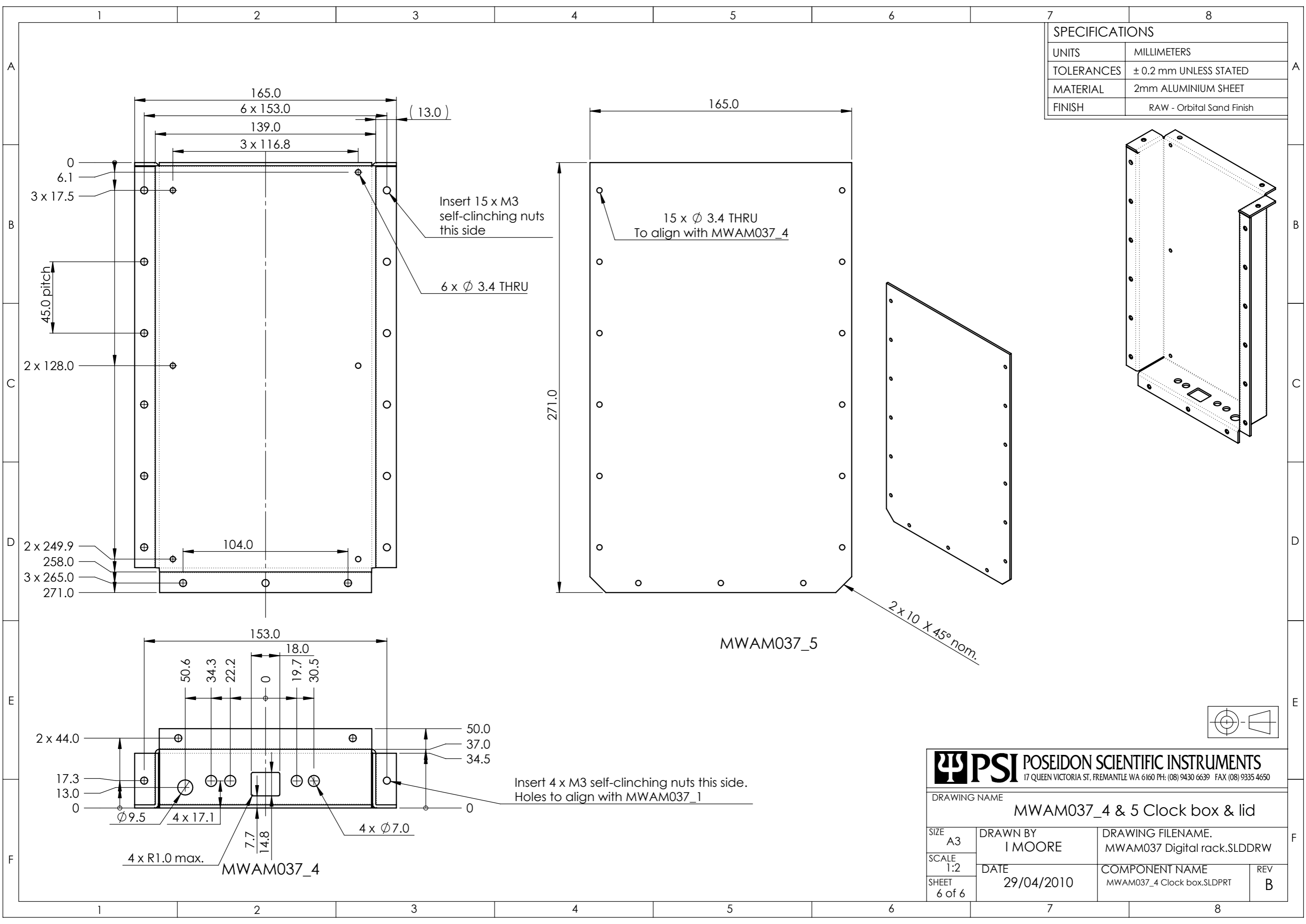
TAG	X LOC	Y LOC	SIZE
A1	-10.90	54.60	\varnothing 2.9 THRU ALL \checkmark \varnothing 5.5 X 90° \sqsubset \varnothing 5.5 ∇ 0.2
A2	-244.20	54.60	
B1	-97.55	25.00	
B2	-127.55	25.00	\varnothing 3.4 THRU
B3	-157.55	25.00	
C1	-197.92	16.28	
C2	-231.22	16.28	

PSI POSEIDON SCIENTIFIC INSTRUMENTS
 17 QUEEN VICTORIA ST, FREMANTLE WA 6160 PH: (08) 9430 6639 FAX (08) 9335 4650

DRAWING NAME: **MWAM033 AgFo front panel**

SIZE: A3	DRAWN BY: I MOORE	DRAWING FILENAME: MWAM037 Digital rack.SLDDRW	
SCALE: 1:1	DATE: 29/04/2010	COMPONENT NAME: MWAM033 AgFo front panel.SLDPRT	REV: B
SHEET: 5 of 6			

SPECIFICATIONS	
UNITS	MILLIMETERS
TOLERANCES	± 0.2 mm UNLESS STATED
MATERIAL	2mm ALUMINIUM SHEET
FINISH	RAW - Orbital Sand Finish



Insert 15 x M3 self-clinching nuts this side

6 x Ø 3.4 THRU

15 x Ø 3.4 THRU
To align with MWAM037_4

2 x 10 X 45° nom.

MWAM037_5

Insert 4 x M3 self-clinching nuts this side.
Holes to align with MWAM037_1

MWAM037_4

PSI POSEIDON SCIENTIFIC INSTRUMENTS
 17 QUEEN VICTORIA ST, FREMANTLE WA 6160 PH: (08) 9430 6639 FAX (08) 9335 4650

DRAWING NAME
MWAM037_4 & 5 Clock box & lid

SIZE A3	DRAWN BY I MOORE	DRAWING FILENAME. MWAM037 Digital rack.SLDDRW	
SCALE 1:2	DATE 29/04/2010	COMPONENT NAME MWAM037_4 Clock box.SLDPRT	REV B
SHEET 6 of 6			

