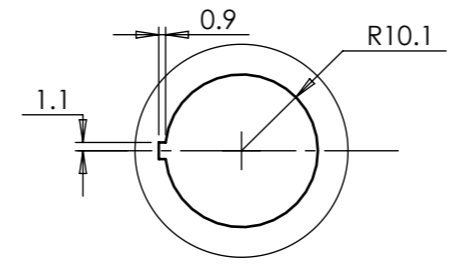
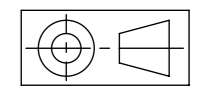
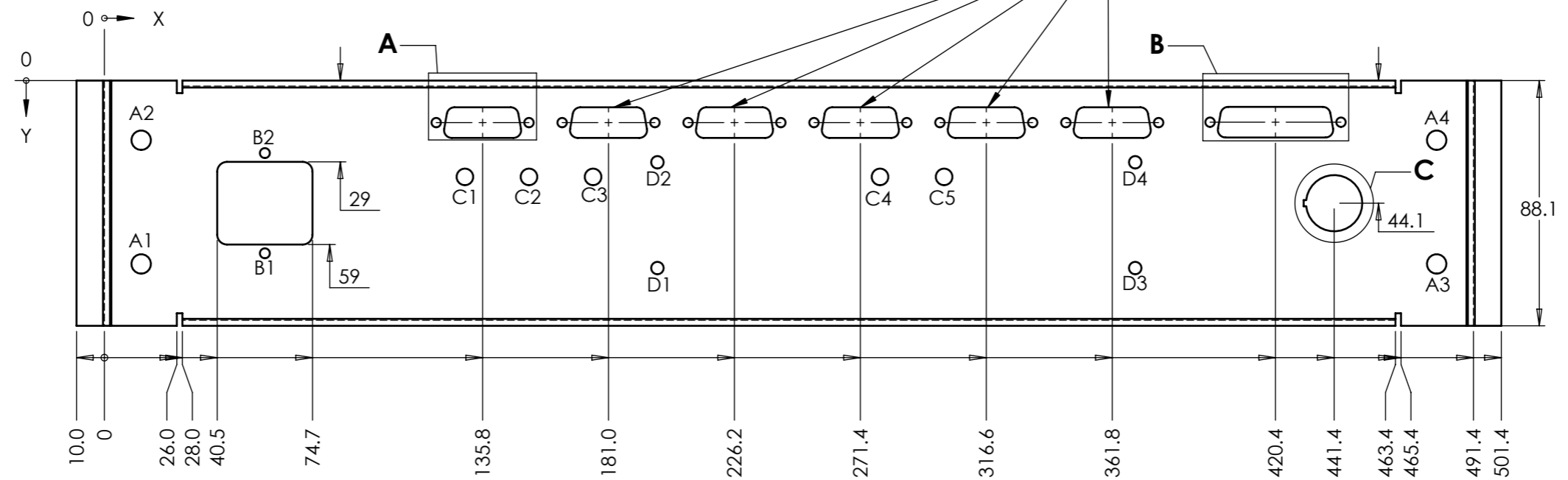
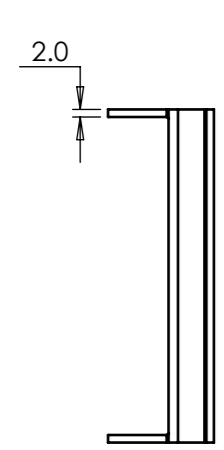
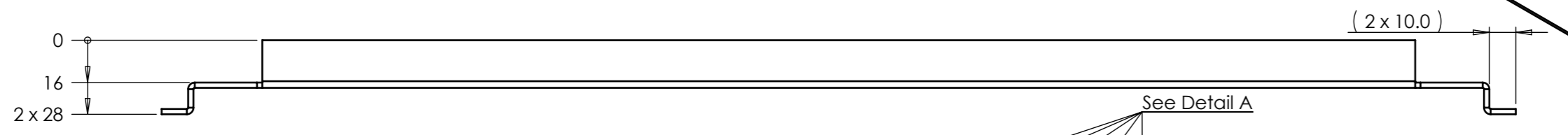
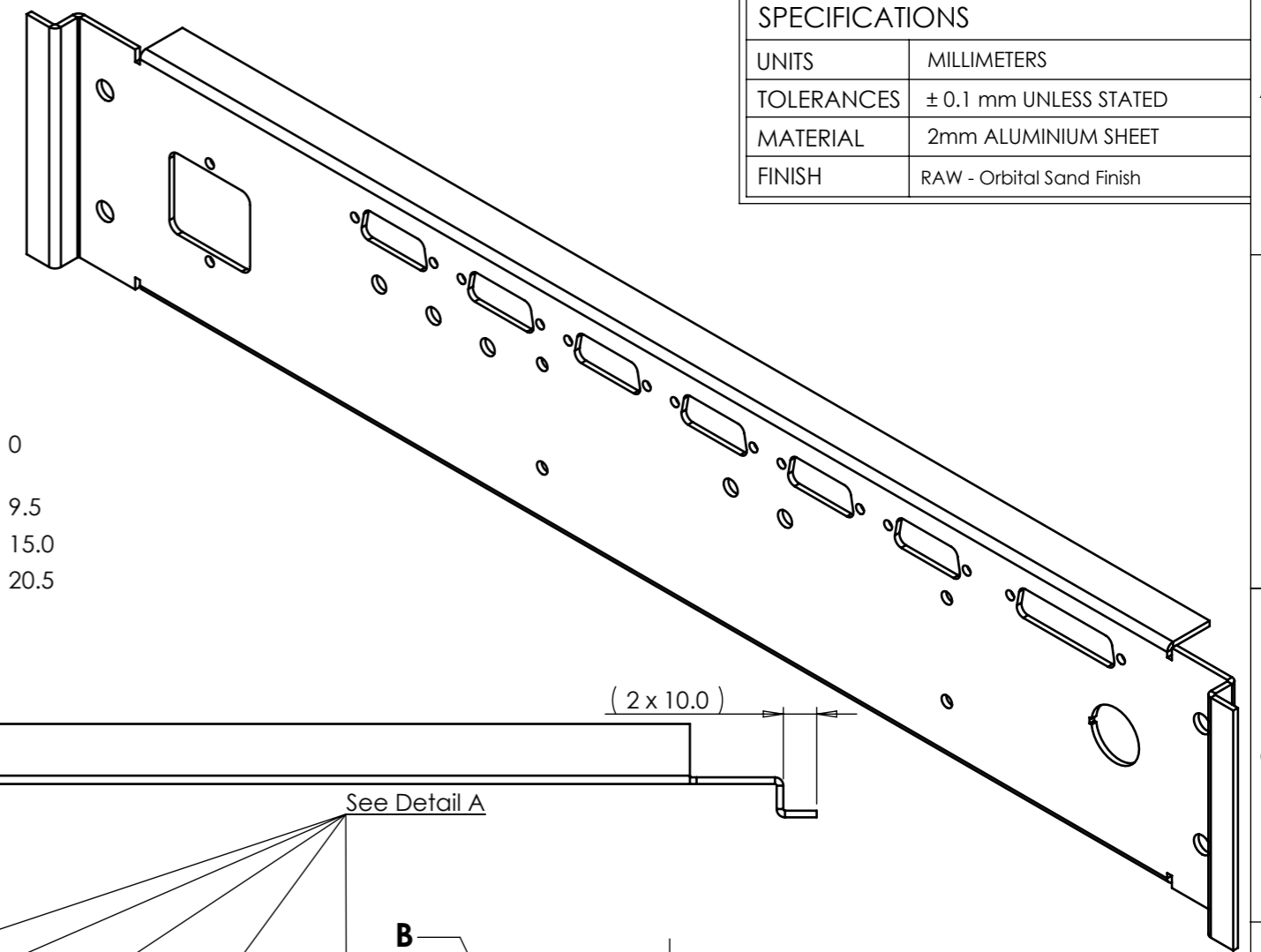
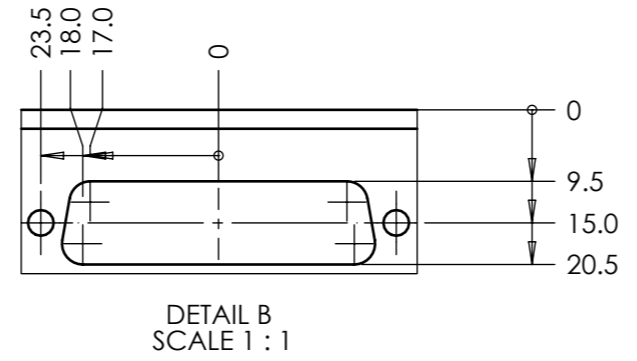
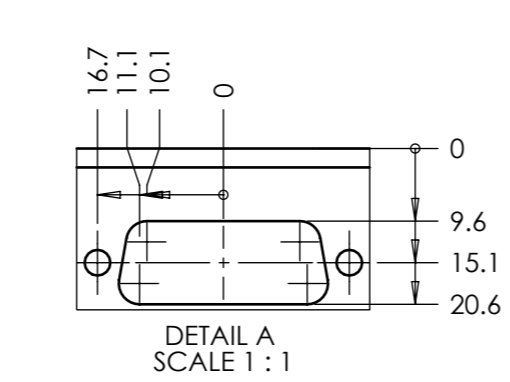


TAG	X LOC	Y LOC	SIZE
A1	13.2	65.9	Ø 7.0 ∇ 3.0
A2	13.2	21.4	
A3	478.2	65.9	
A4	478.2	21.4	
B1	57.6	62.1	Ø 3.6 THRU
B2	57.6	26.1	
C1	129.4	34.6	Ø 6.0 THRU
C2	152.4	34.6	
C3	175.4	34.6	
C4	278.4	34.6	
C5	301.4	34.6	
D1	198.5	67.4	Ø 4.5 THRU
D2	198.5	29.4	
D3	370.0	67.4	
D4	370.0	29.4	

SPECIFICATIONS	
UNITS	MILLIMETERS
TOLERANCES	± 0.1 mm UNLESS STATED
MATERIAL	2mm ALUMINIUM SHEET
FINISH	RAW - Orbital Sand Finish



REVISIONS				
ZONE	REV.	DESCRIPTION	DATE	APPROVED
	B	1. Additional edge folds. 2. Square cutout size reduced.	29/04/2010	
	C	1. Hole Modification (See Hole Table C1-C5 & D1-D2)	21/07/2010	

PSI POSEIDON SCIENTIFIC INSTRUMENTS
 17 QUEEN VICTORIA ST, FREMANTLE WA 6160 PH: (08) 9430 6639 FAX (08) 9335 4650

DRAWING NAME: **MWAM032 PSU Front Panel**

SIZE: A3	DRAWN BY: C.Coleman	DRAWING FILENAME: MWAM032 PSU front panel.SLDDRW	
SCALE: 1:2	DATE: 21/07/2010	COMPONENT NAME: MWAM032 PSU front panel.SLDprt	REV: C
SHEET: 1 of 1			