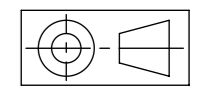
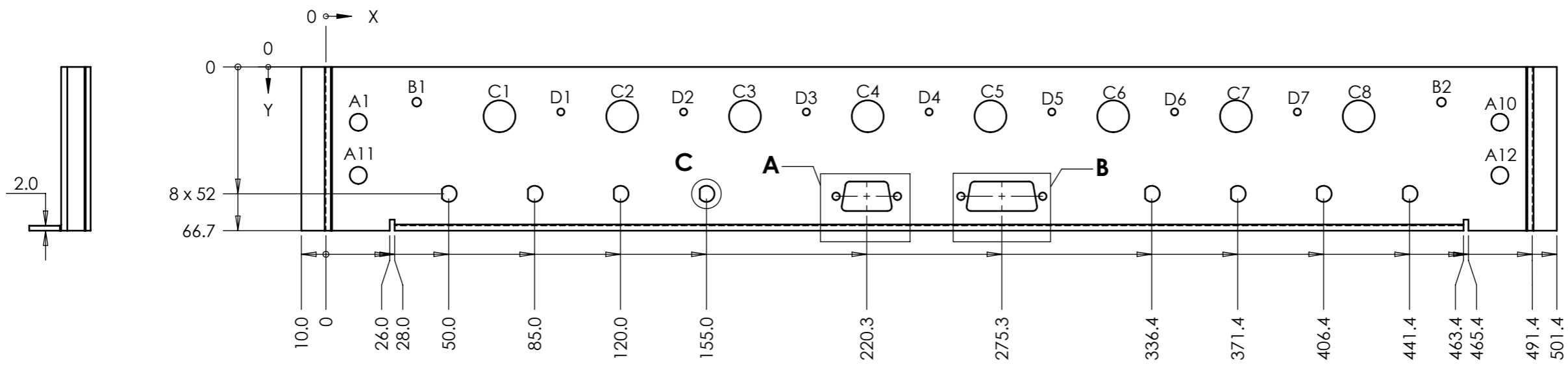
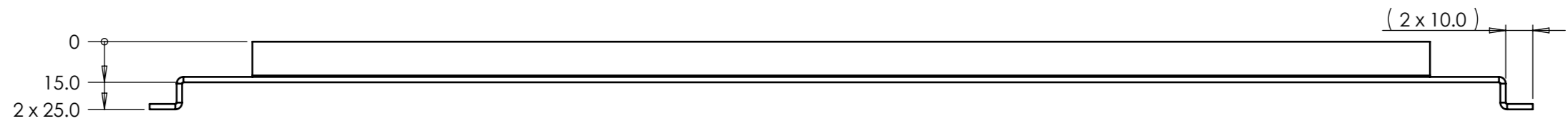
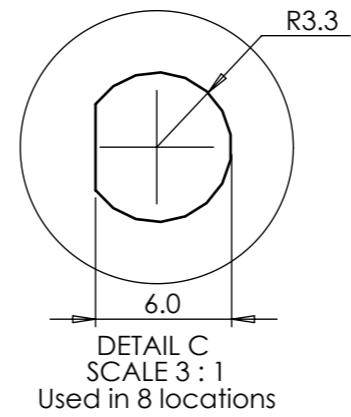
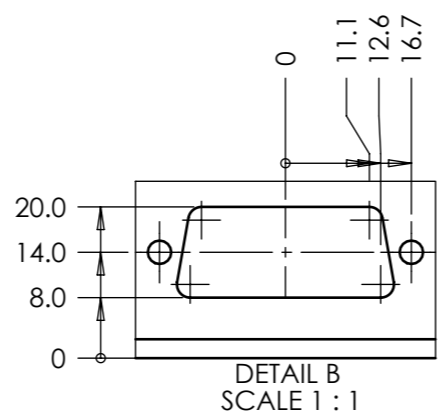
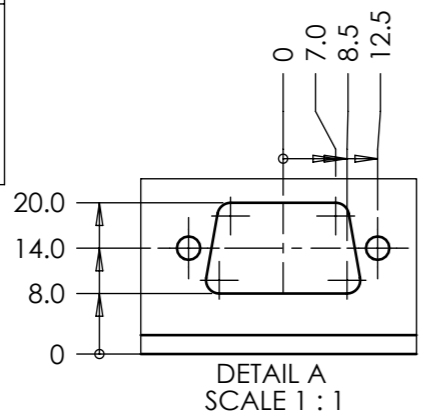
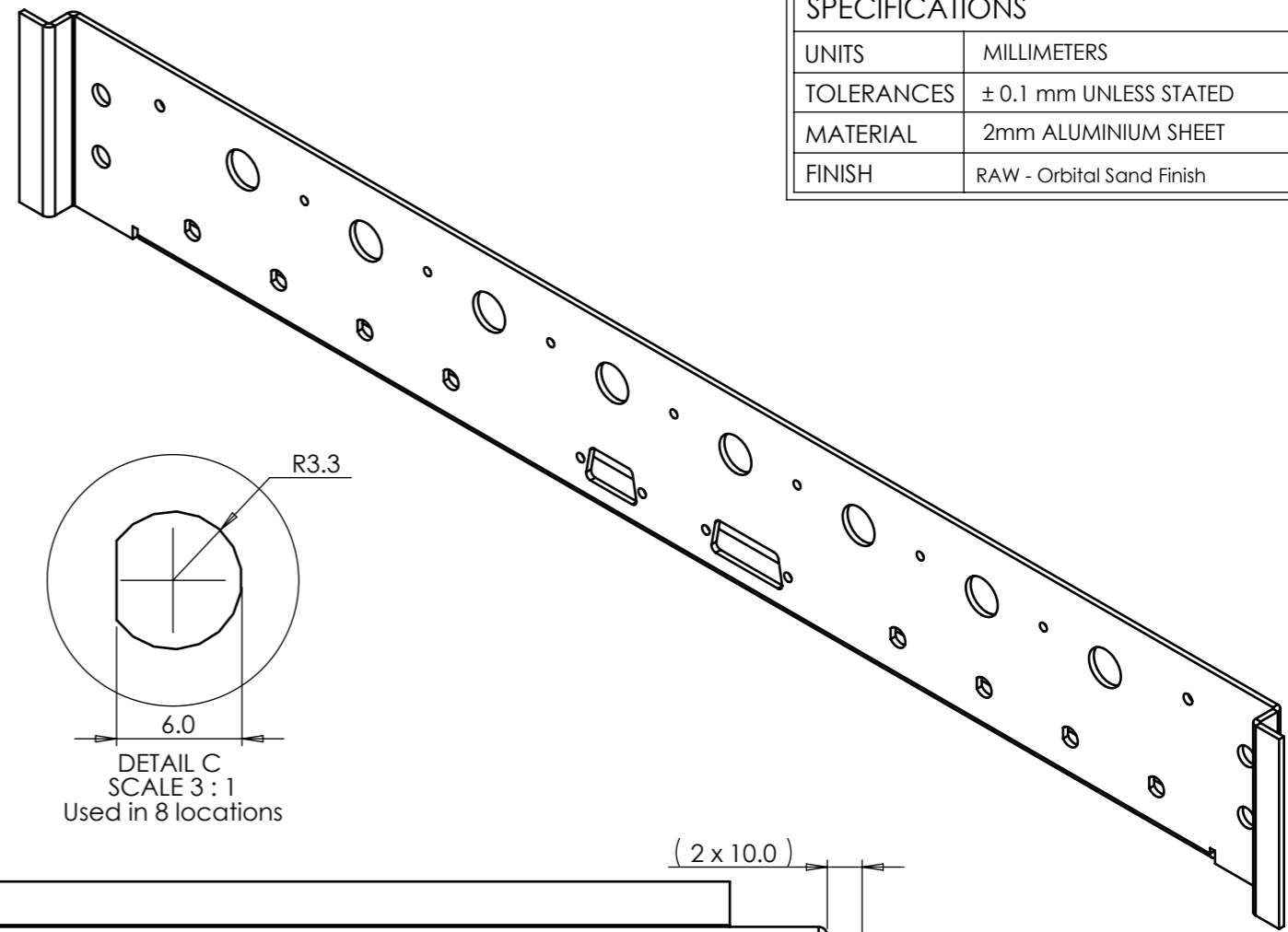


TAG	X LOC	Y LOC	SIZE
A1	13.2	22.5	Ø 7.0 ∇ 3.0
A10	478.2	22.5	
A11	13.2	44.2	
A12	478.2	44.2	Ø 3.6 ∇ 3.0
B1	37.0	14.3	
B2	454.4	14.3	
C1	70.7	20.1	Ø 13.0 ∇ 2.0
C2	120.7	20.1	
C3	170.7	20.1	
C4	220.7	20.1	
C5	270.7	20.1	
C6	320.7	20.1	
C7	370.7	20.1	
C8	420.7	20.1	
D1	95.7	18.3	Ø 2.9 ∇ 3.0
D2	145.7	18.3	
D3	195.7	18.3	
D4	245.7	18.3	
D5	295.7	18.3	
D6	345.7	18.3	
D7	395.7	18.3	

SPECIFICATIONS	
UNITS	MILLIMETERS
TOLERANCES	± 0.1 mm UNLESS STATED
MATERIAL	2mm ALUMINIUM SHEET
FINISH	RAW - Orbital Sand Finish



REVISIONS				
ZONE	REV.	DESCRIPTION	DATE	APPROVED
	B	1. Additional edge folds. 2. Connector hole shape change, see detail C (8 Places)	29/04/2010	
D 3-7	C	1. Changed hole "C" in hole table from 12mm to 13mm.	23/12/10	

PSI POSEIDON SCIENTIFIC INSTRUMENTS
 17 QUEEN VICTORIA ST, FREMANTLE WA 6160 PH: (08) 9430 6639 FAX (08) 9335 4650

DRAWING NAME: **MWAM029 ASC Rack Front**

SIZE: A3	DRAWN BY: C.Coleman	DRAWING FILENAME: MWAM029 ASC rack front.SLDDRW	
SCALE: 1:2	DATE: 23/12/2010	COMPONENT NAME: MWAM029 ASC rack front.SLDPRT	REV: C
SHEET: 1 of 1			