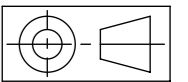
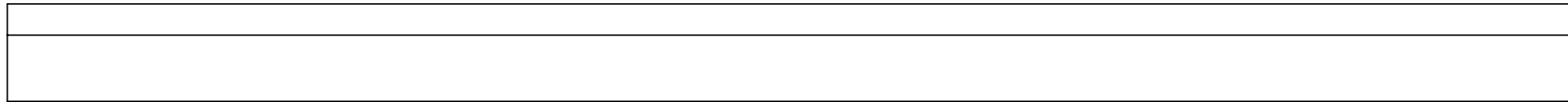
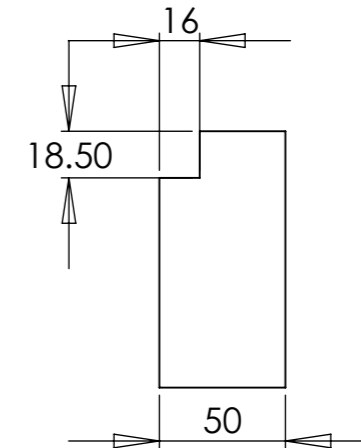
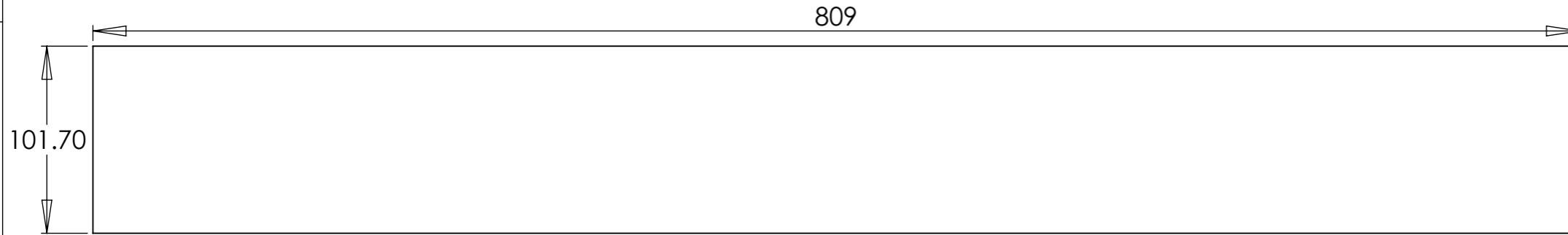
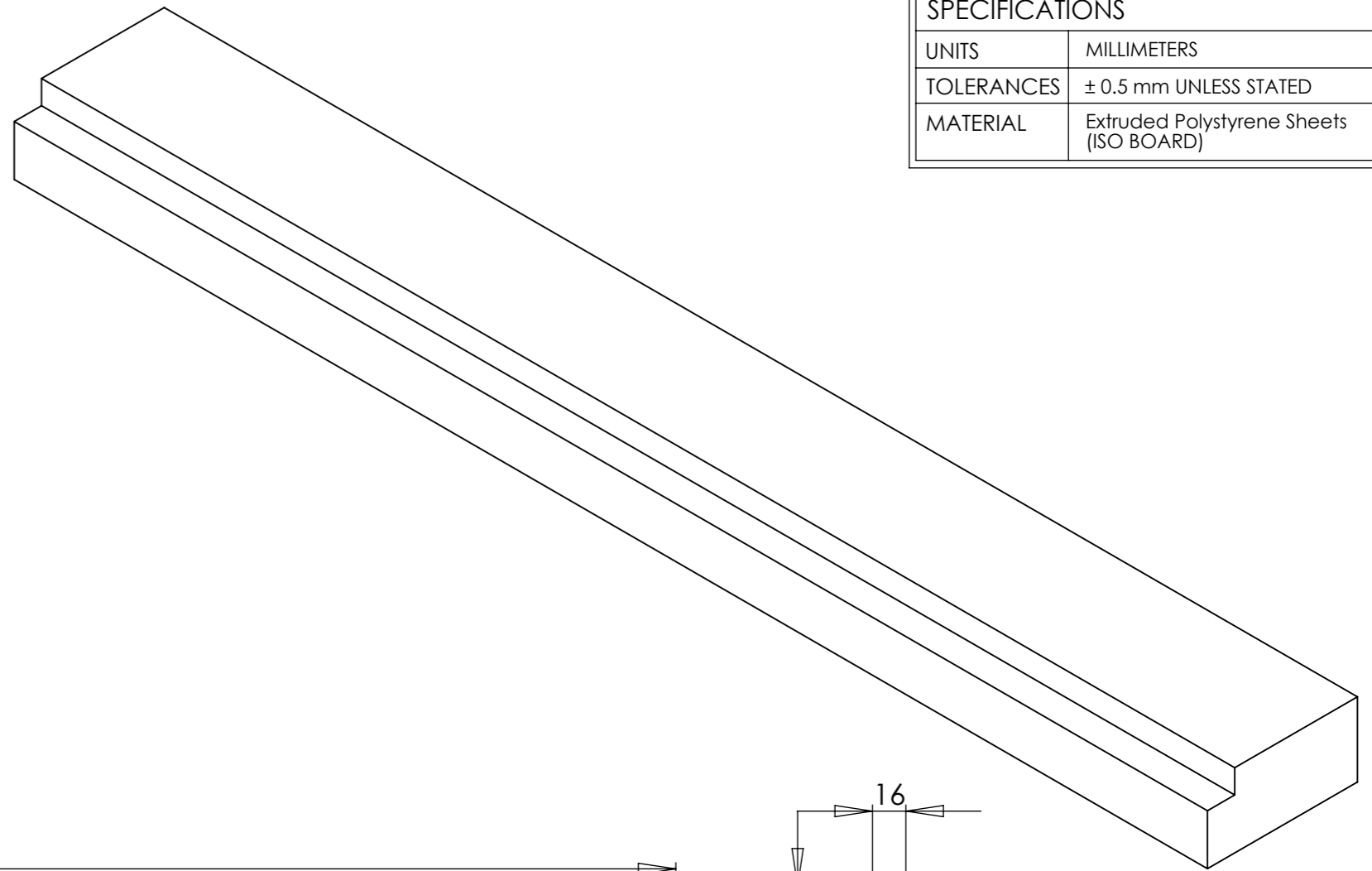



This Drawing is the property of Poseidon Scientific Instruments Pty. Ltd. and is strictly confidential. No part or parts of this document may be reproduced, stored in a retrieval system or transmitted in any form by any means (including electronic mechanical photocopying or otherwise) without the written permission of Poseidon Scientific Instruments Pty. Ltd.

| SPECIFICATIONS | |
|----------------|---|
| UNITS | MILLIMETERS |
| TOLERANCES | ± 0.5 mm UNLESS STATED |
| MATERIAL | Extruded Polystyrene Sheets (ISO BOARD) |



| | | | |
|--|------------|--|-----|
|  POSEIDON SCIENTIFIC INSTRUMENTS <small>17 QUEEN VICTORIA ST, FREMANTLE WA 6160 PH: (08) 9430 6639 FAX (08) 9335 4650</small> | | | |
| DRAWING NAME | | | |
| AC Enclosure Foam Top - Front | | | |
| SIZE | DRAWN BY | DRAWING FILENAME. | |
| A3 | C.Coleman | MWAM020 AC enclosure foam top front.SLDDRW | |
| SCALE | DATE | COMPONENT NAME | REV |
| 1:3 | 25/01/2011 | MWAM020 AC enclosure foam top front.SLDPRT | A |
| SHEET | | | |
| 1 of 1 | | | |