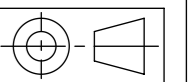
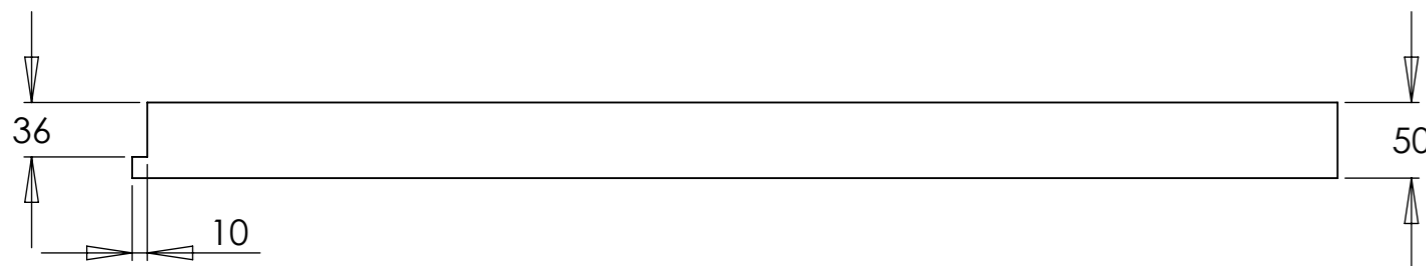
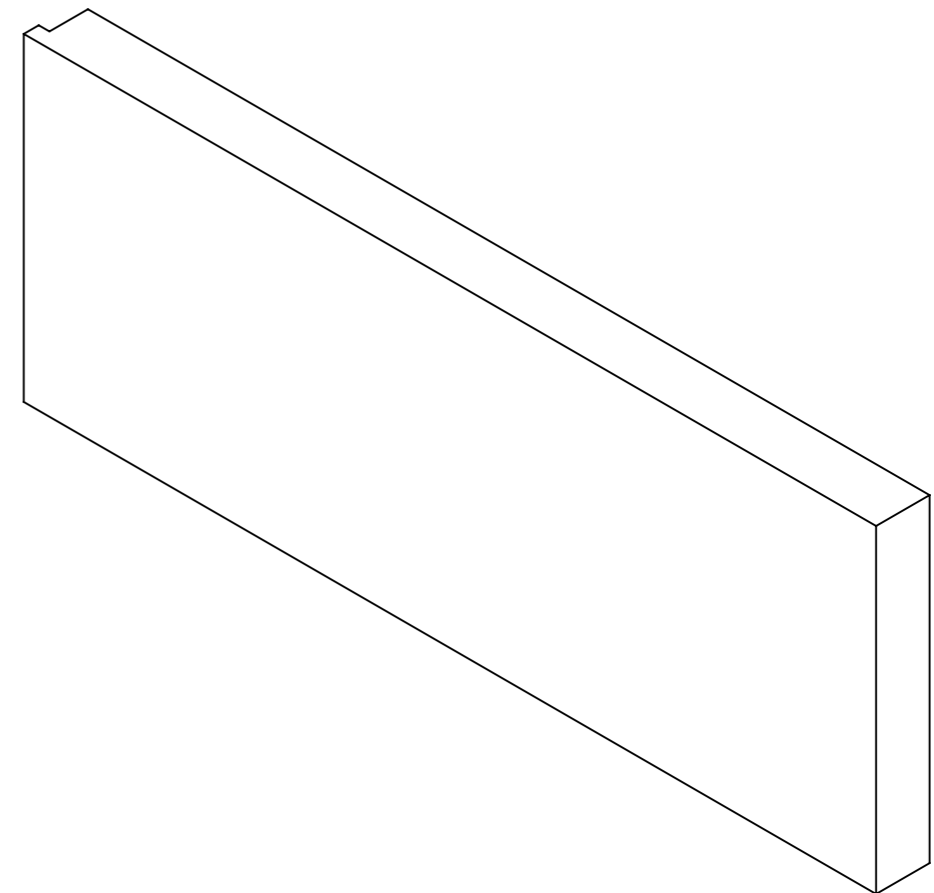
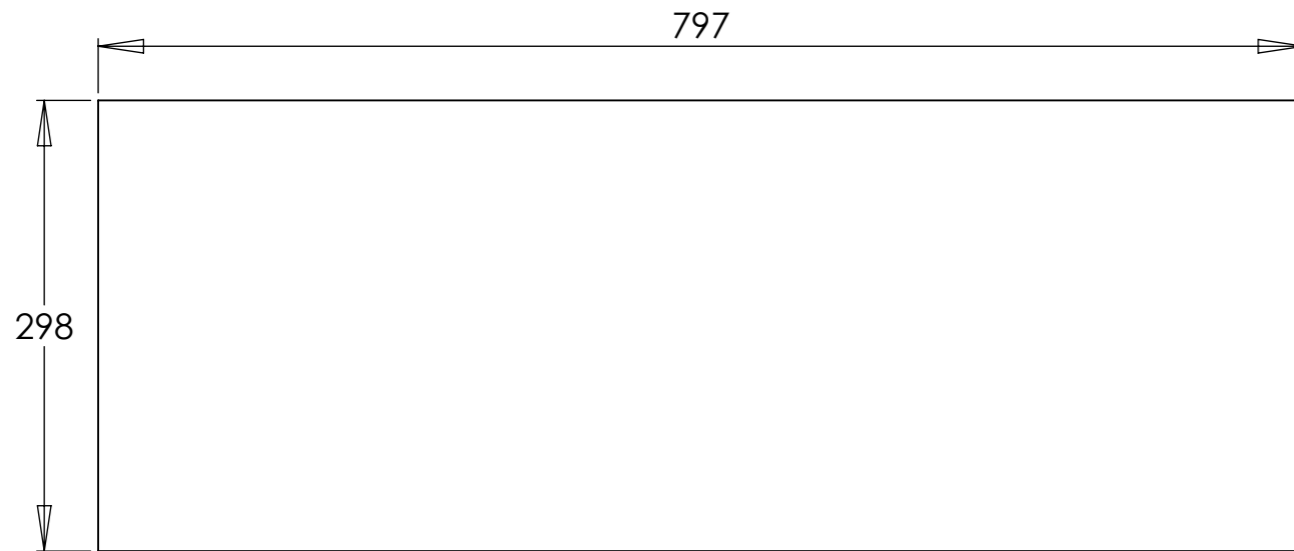



This Drawing is the property of Poseidon Scientific Instruments Pty. Ltd. and is strictly confidential. No part or parts of this document may be reproduced, stored in a retrieval system or transmitted in any form by any means (including electronic mechanical photocopying or otherwise) without the written permission of Poseidon Scientific Instruments Pty. Ltd.

SPECIFICATIONS	
UNITS	MILLIMETERS
TOLERANCES	± 0.5 mm UNLESS STATED
MATERIAL	Extruded Polystyrene Sheets (ISO BOARD)



 POSEIDON SCIENTIFIC INSTRUMENTS <small>17 QUEEN VICTORIA ST, FREMANTLE WA 6160 PH: (08) 9430 6639 FAX (08) 9335 4650</small>			
DRAWING NAME			
Main Enclosure Foam Floor Part 2			
SIZE A3	DRAWN BY C.Coleman	DRAWING FILENAME. MWAM011_2 Main enclosure foam floor.SLDDRW	
SCALE 1:5	DATE 25/01/2011	COMPONENT NAME MWAM011_2 Main enclosure foam floor.SLDPRT	REV A
SHEET 1 of 1			