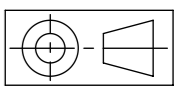
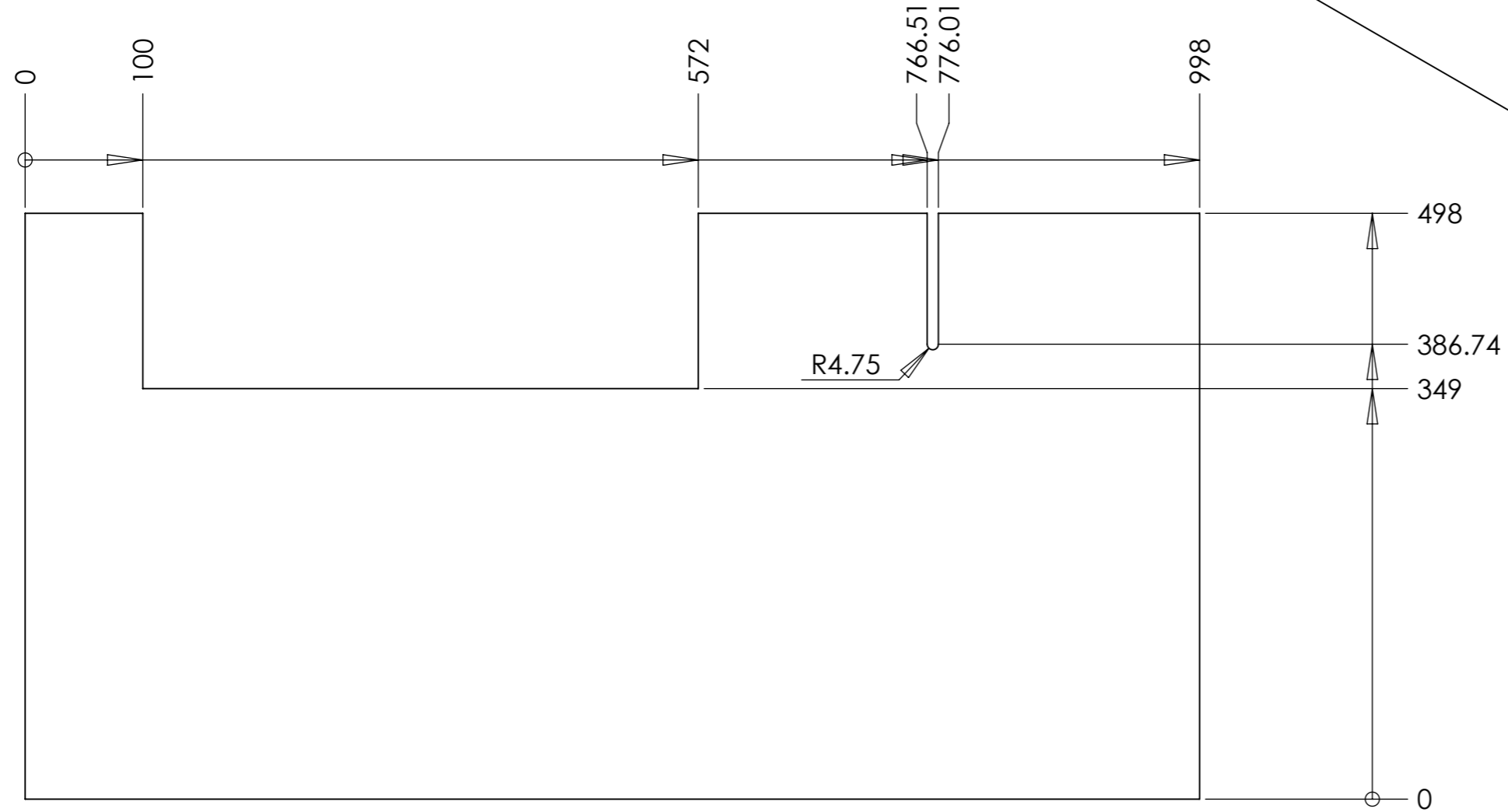
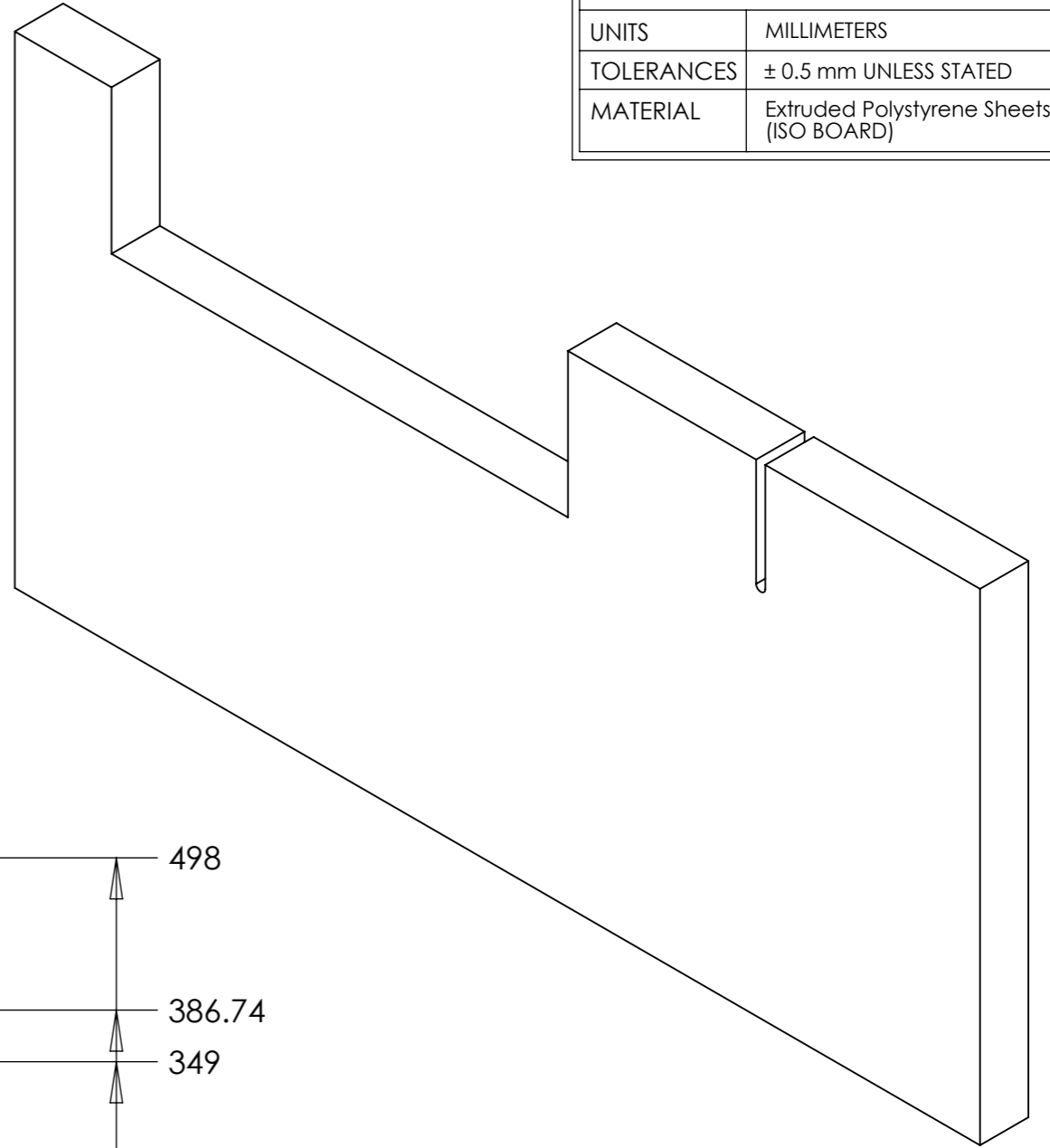



This Drawing is the property of Poseidon Scientific Instruments Pty. Ltd. and is strictly confidential. No part or parts of this document may be reproduced, stored in a retrieval system or transmitted in any form by any means (including electronic mechanical photocopying or otherwise) without the written permission of Poseidon Scientific Instruments Pty. Ltd.

SPECIFICATIONS	
UNITS	MILLIMETERS
TOLERANCES	± 0.5 mm UNLESS STATED
MATERIAL	Extruded Polystyrene Sheets (ISO BOARD)



 POSEIDON SCIENTIFIC INSTRUMENTS <small>17 QUEEN VICTORIA ST, FREMANTLE WA 6160 PH: (08) 9430 6639 FAX (08) 9335 4650</small>			
DRAWING NAME			
Main Enclosure Foam (Cable End)			
SIZE	DRAWN BY	DRAWING FILENAME.	
A3	C.Coleman	MWAM009 Main enclosure foam at cable end.SLDDRW	
SCALE	DATE	COMPONENT NAME	REV
1:5	24/01/2011	MWAM009 Main enclosure foam at cable end.SLDPRT	A
SHEET			
1 of 1			