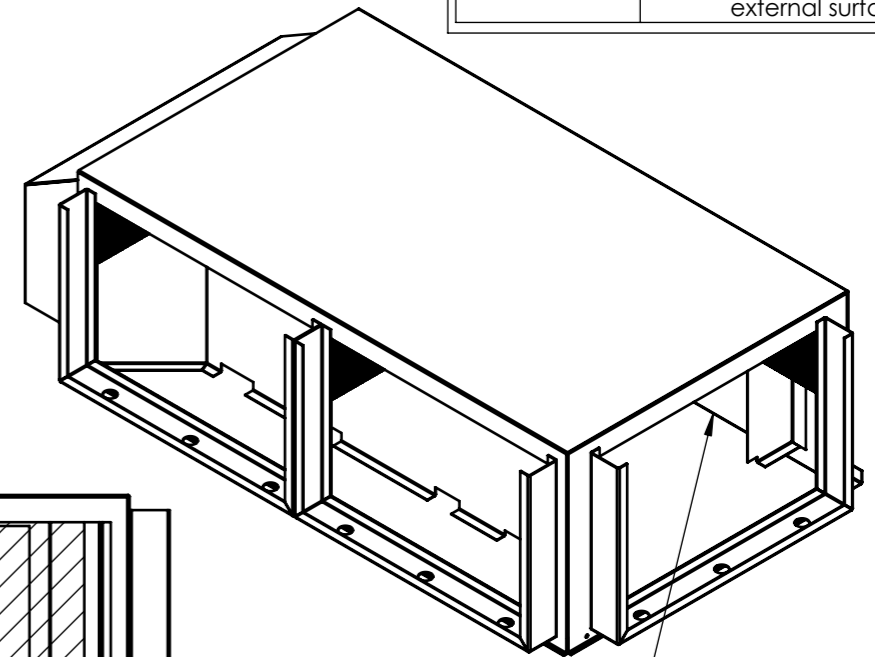
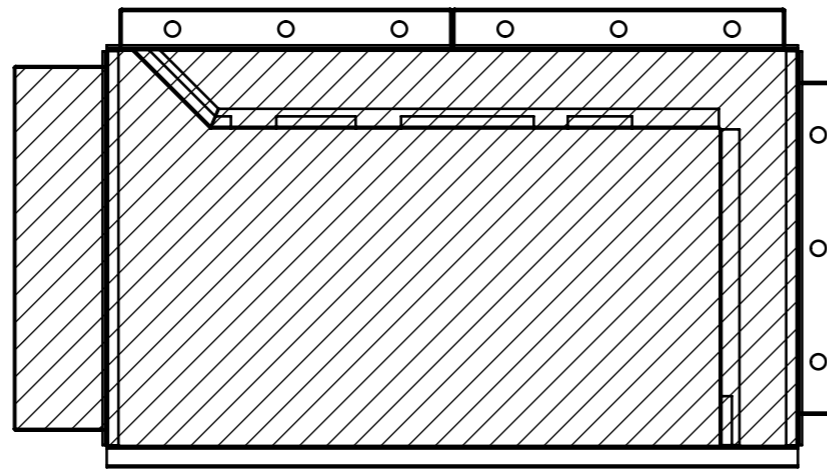
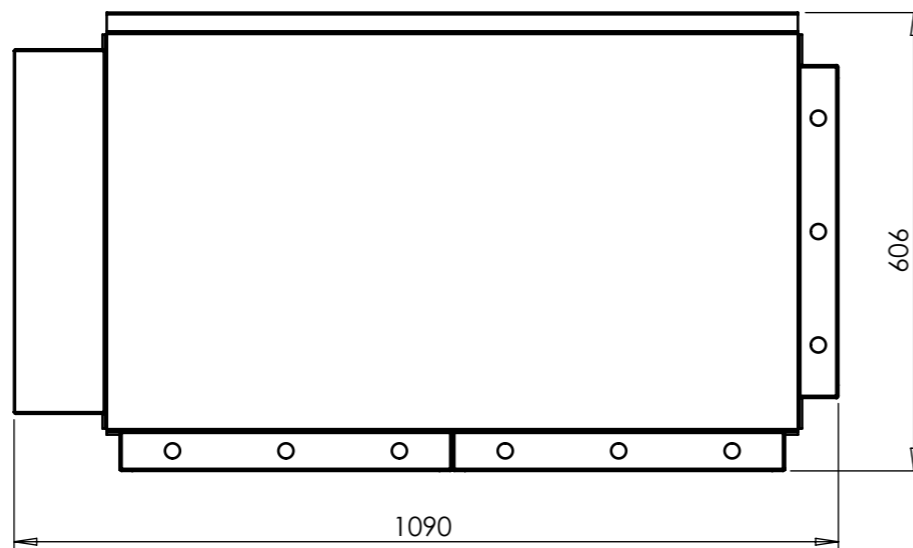
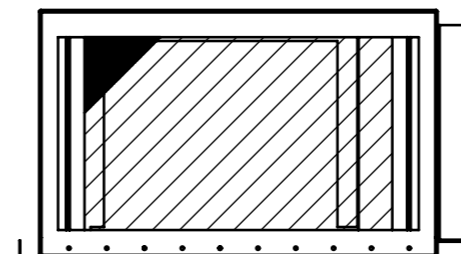
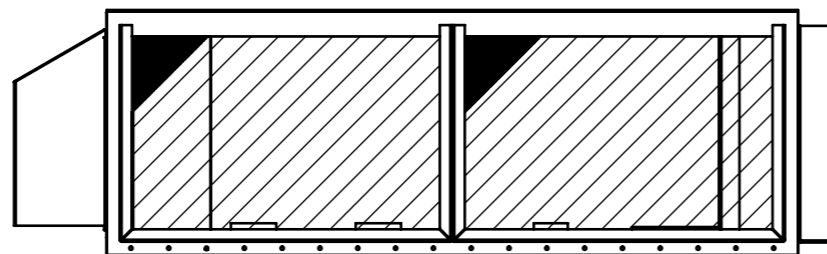
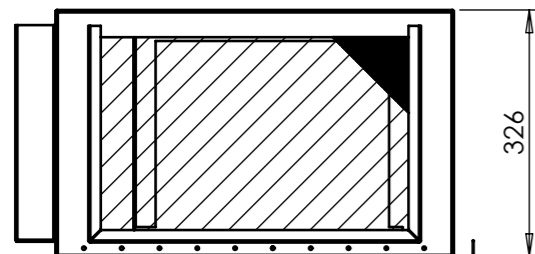


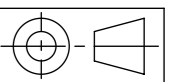
SPECIFICATIONS	
UNITS	MILLIMETERS
TOLERANCES	± 0.1 mm UNLESS STATED
MATERIAL	1mm Steel Zinc Seal
FINISH	1. Phosphate Passivated 2. Mask Where Indicated 3. Power Coat White on external surfaces




Mask 15mm around inside edge to prevent overspray.



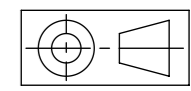
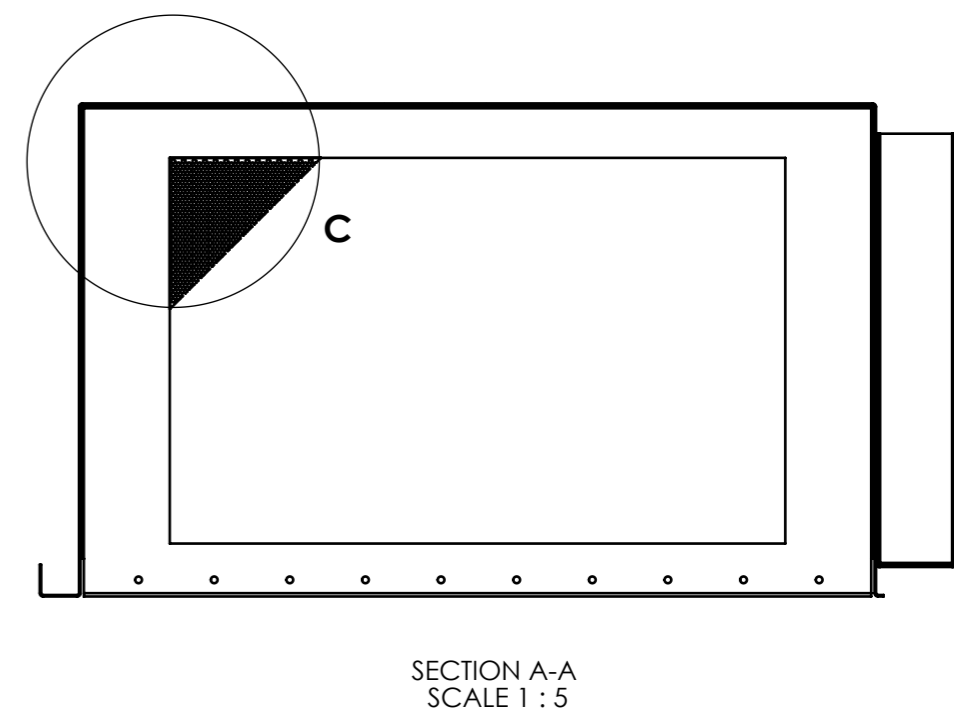
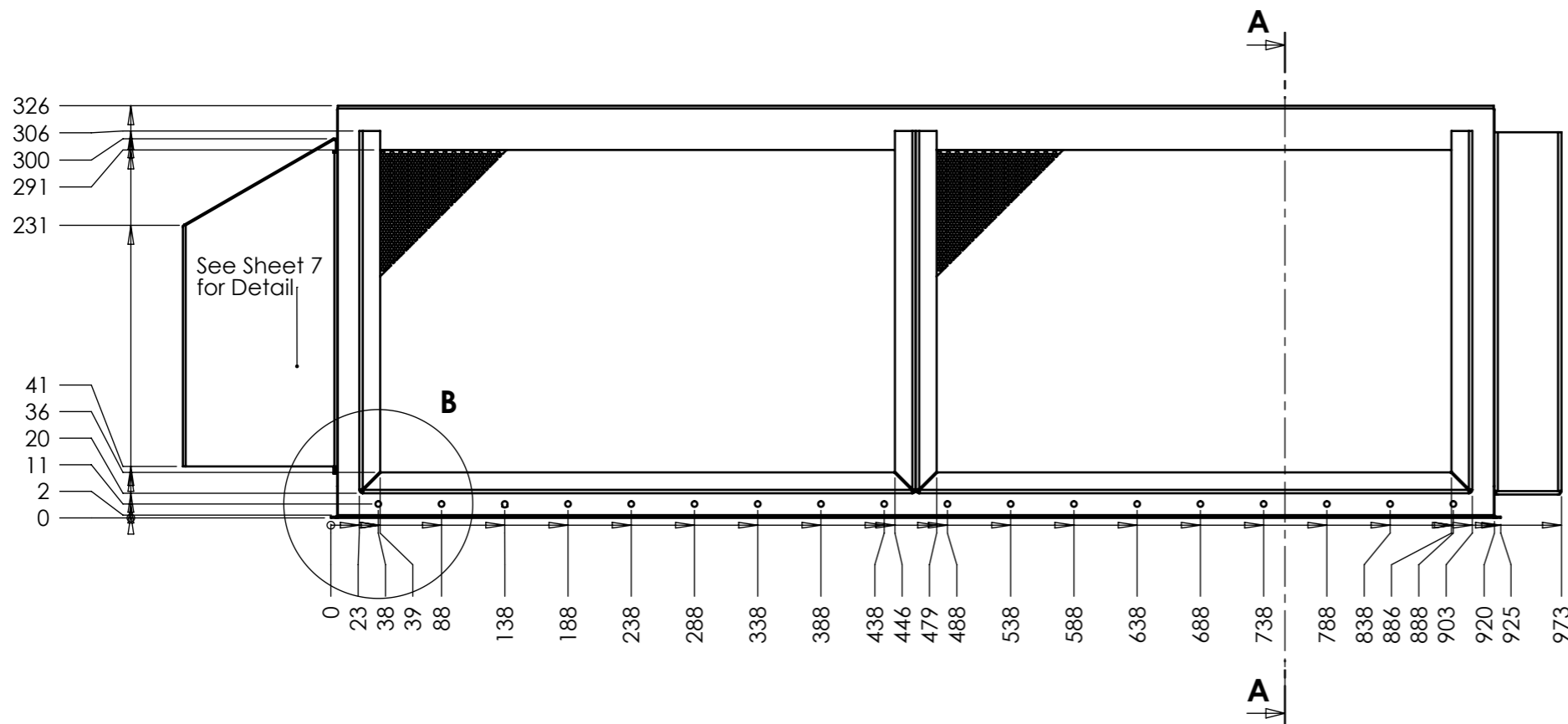
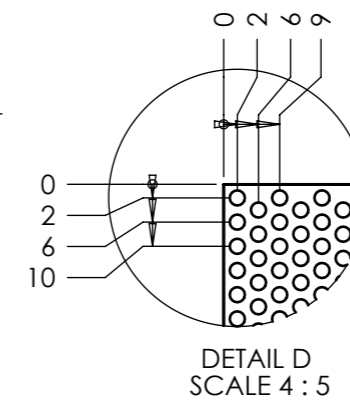
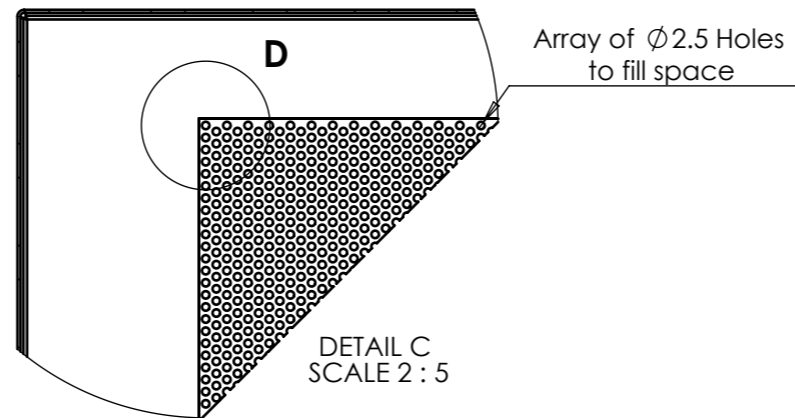
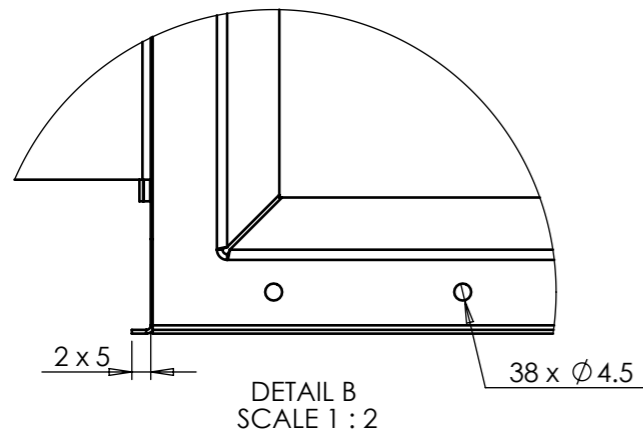
- NOTE:
1. Inside of enclosure not powder coated - prevent overspray on interior.
 2. Suggested masking indicated by crosshatch.
 3. Stitch welding of all seams is acceptable.
 4. Confirm Internal dimensions are accurate.
 5. Ensure 4.5mm clearance holes align with clinch nuts located on the MWAM002 AC Enclosure.
 6. Ensure correct positioning of duct within the enclosure.




REVISIONS				
ZONE	REV.	DESCRIPTION	DATE	APPROVED
F	B	1. Reduced External/Internal Dimensions (height/width). 2. Perforated Windows Added Using Ø2.5mm Holes. 3. Window dimensions modified. 4. Overall height Reduced. 5. Additional cutout on MWAM004_5 shown on sheet 4	28/4/2010	

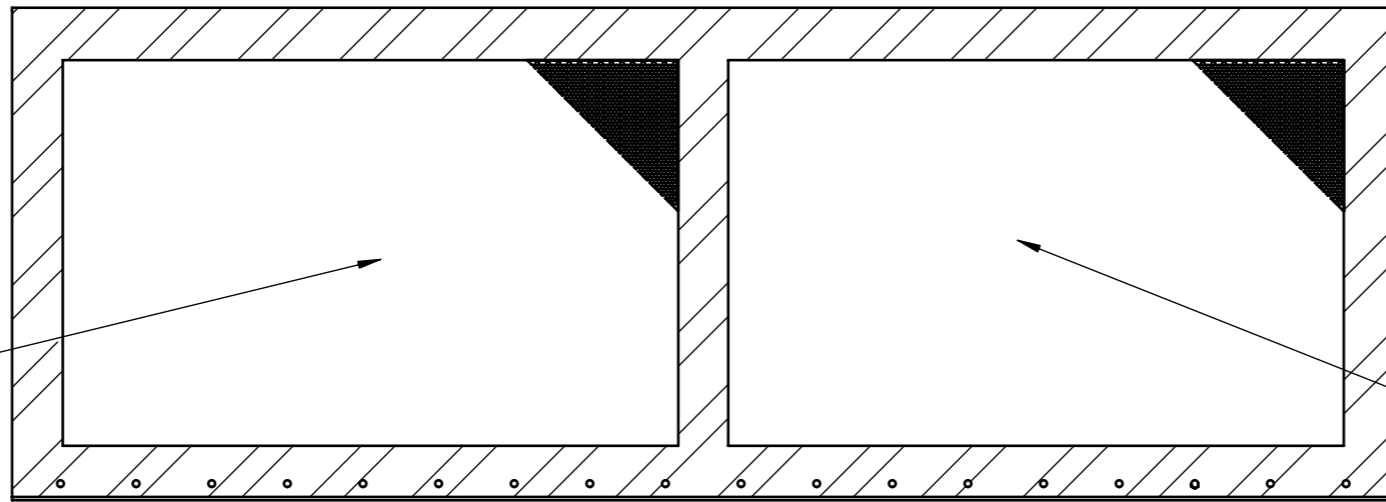
 POSEIDON SCIENTIFIC INSTRUMENTS <small>17 QUEEN VICTORIA ST, FREMANTLE WA 6160 PH: (08) 9430 6639 FAX (08) 9335 4650</small>			
DRAWING NAME Air Conditioner Cover Sheet Metal			
SIZE A3	DRAWN BY C.Coleman	DRAWING FILENAME. MWAM004 Air Conditioner Cover Sheet Metal.SLDDRW	
SCALE 1:20	DATE 29/04/2010	COMPONENT NAME MWAM004 Air Conditioner Cover.SLDPRT	REV B
SHEET 1 of 7			

SPECIFICATIONS	
UNITS	MILLIMETERS
TOLERANCES	± 0.1 mm UNLESS STATED
MATERIAL	1mm Steel Zinc Seal
FINISH	1. Phosphate Passivated 2. Mask Where Indicated 3. Power Coat White on external surfaces



 PSI POSEIDON SCIENTIFIC INSTRUMENTS <small>17 QUEEN VICTORIA ST, FREMANTLE WA 6160 PH: (08) 9430 6639 FAX (08) 9335 4650</small>			
DRAWING NAME Air Conditioner Cover Sheet Metal			
SIZE A3	DRAWN BY C.Coleman	DRAWING FILENAME. MWAM004 Air Conditioner Cover Sheet Metal.SLDDRW	
SCALE 1:10	DATE 29/04/2010	COMPONENT NAME MWAM004 Air Conditioner Cover.SLDPRT	REV B
SHEET 2 of 7			

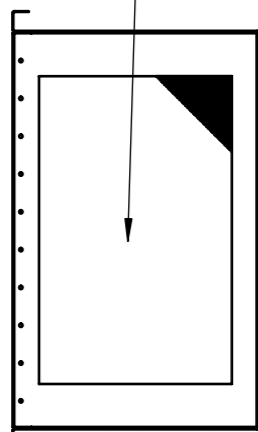
SPECIFICATIONS	
UNITS	MILLIMETERS
TOLERANCES	± 0.1 mm UNLESS STATED
MATERIAL	1mm Steel Zinc Seal
FINISH	1. Phosphate Passivated 2. Mask Where Indicated 3. Power Coat White on external surfaces



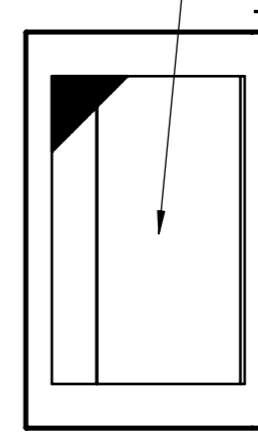
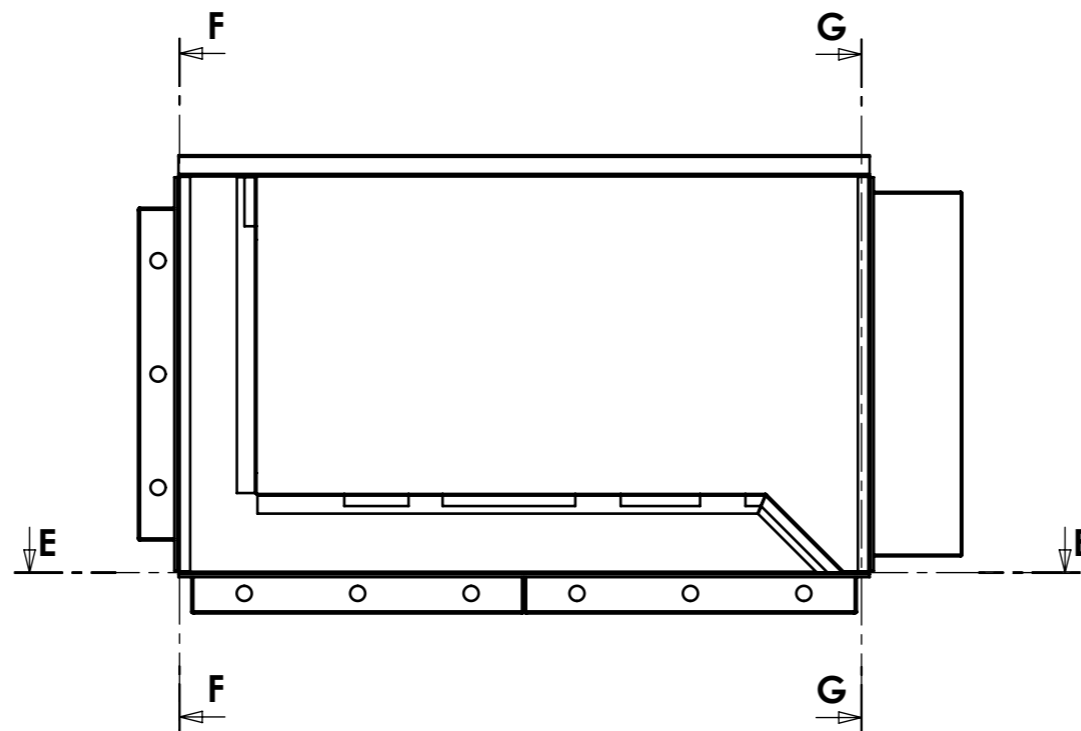
SECTION E-E
SCALE 1 : 5

Array of $\varnothing 2.5\text{mm}$ Holes
to fill space, Detailed on
Sheet 2

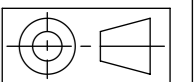
Array of $\varnothing 2.5\text{mm}$ Holes
to fill space, Detailed on
Sheet 2




SECTION F-F

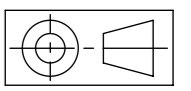
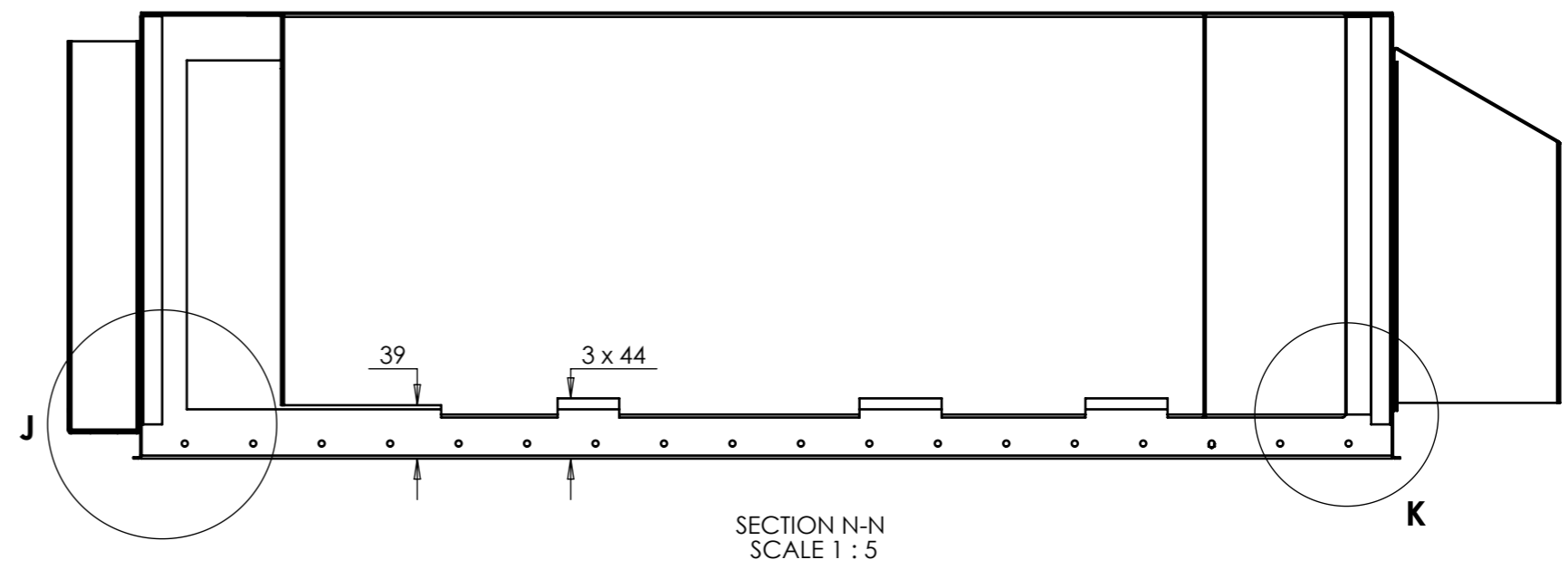
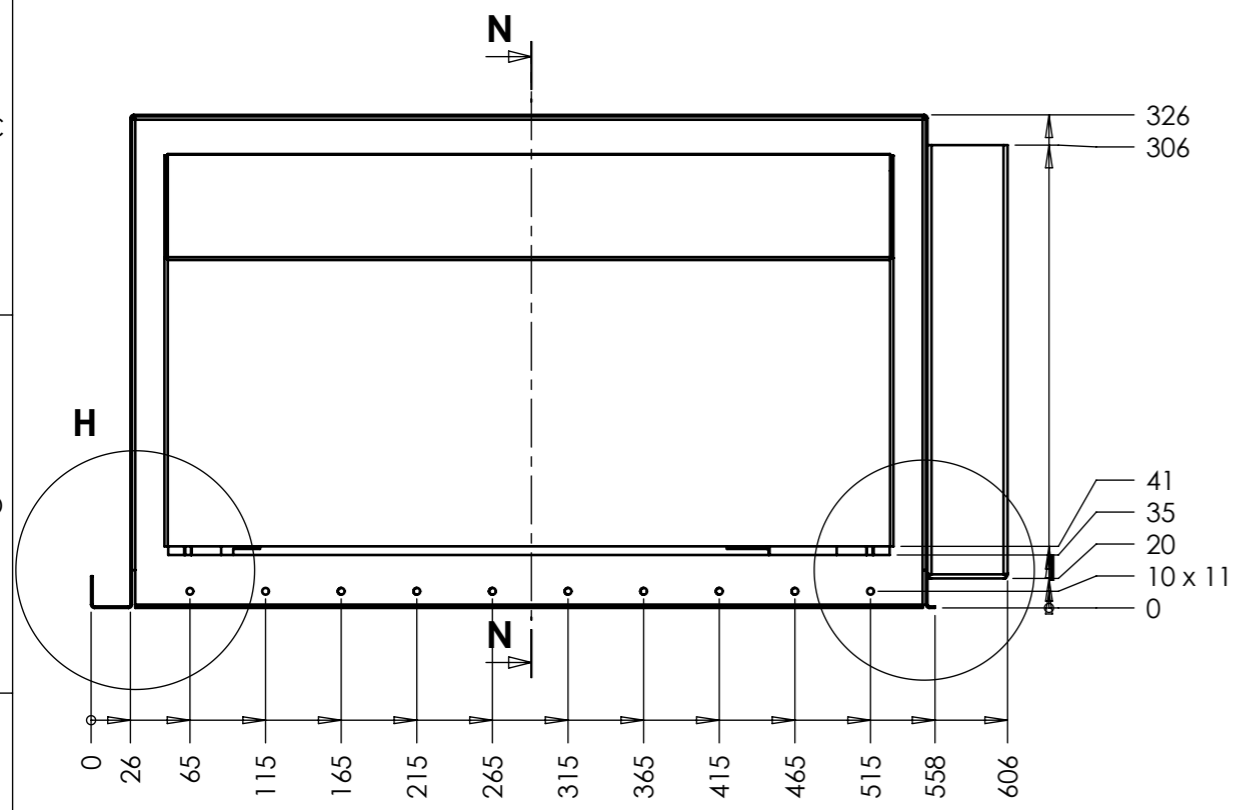
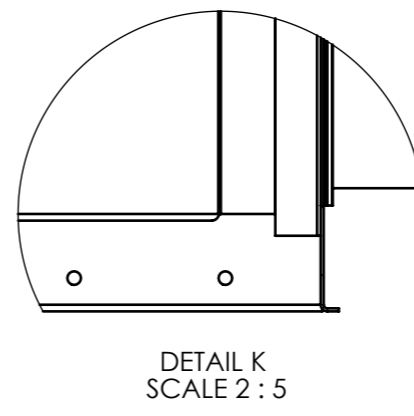
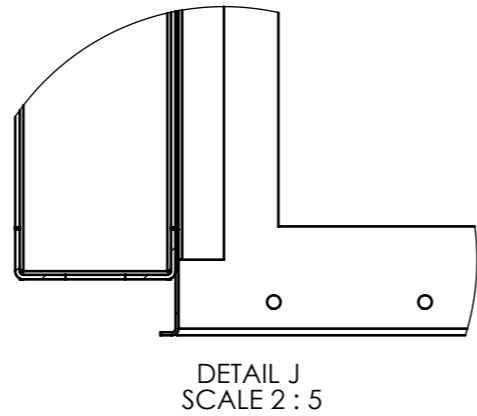
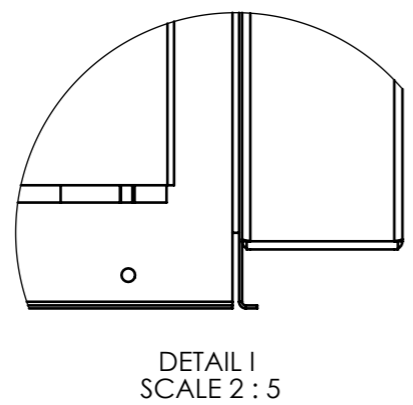
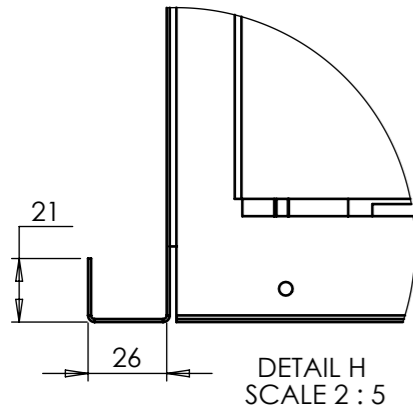



SECTION G-G



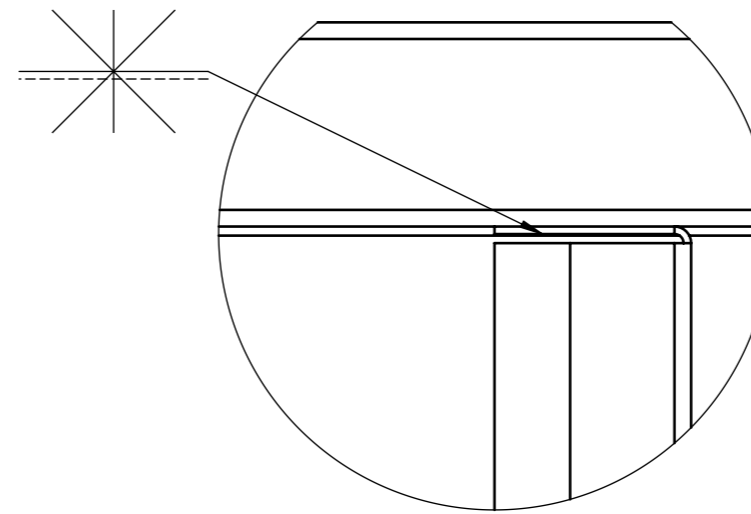
 POSEIDON SCIENTIFIC INSTRUMENTS <small>17 QUEEN VICTORIA ST, FREMANTLE WA 6160 PH: (08) 9430 6639 FAX (08) 9335 4650</small>			
DRAWING NAME			
Air Conditioner Cover Sheet Metal			
SIZE	DRAWN BY	DRAWING FILENAME.	
A3	C.Coleman	MWAM004 Air Conditioner Cover Sheet Metal.SLDDRW	
SCALE	DATE	COMPONENT NAME	REV
1:10	29/04/2010	MWAM004 Air Conditioner Cover.SLDPRT	B
SHEET			
3 of 7			

SPECIFICATIONS	
UNITS	MILLIMETERS
TOLERANCES	± 0.1 mm UNLESS STATED
MATERIAL	1mm Steel Zinc Seal
FINISH	1. Phosphate Passivated 2. Mask Where Indicated 3. Power Coat White on external surfaces

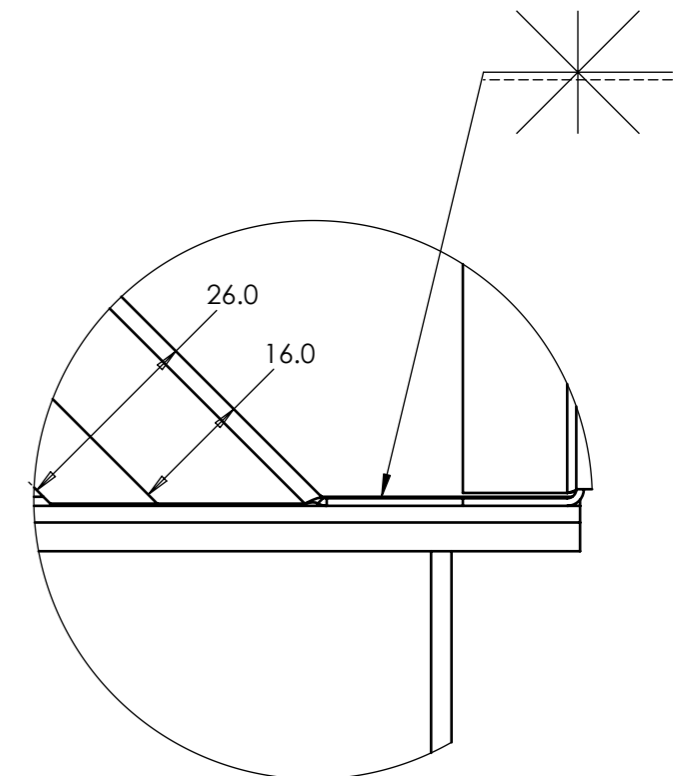


 POSEIDON SCIENTIFIC INSTRUMENTS <small>17 QUEEN VICTORIA ST, FREMANTLE WA 6160 PH: (08) 9430 6639 FAX (08) 9335 4650</small>			
DRAWING NAME			
Air Conditioner Cover Sheet Metal			
SIZE	DRAWN BY	DRAWING FILENAME.	
A3	C.Coleman	MWAM004 Air Conditioner Cover Sheet Metal.SLDDRW	
SCALE	DATE	COMPONENT NAME	REV
1:10	29/04/2010	MWAM004 Air Conditioner Cover.SLDPRT	B
SHEET			
4 of 7			

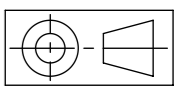
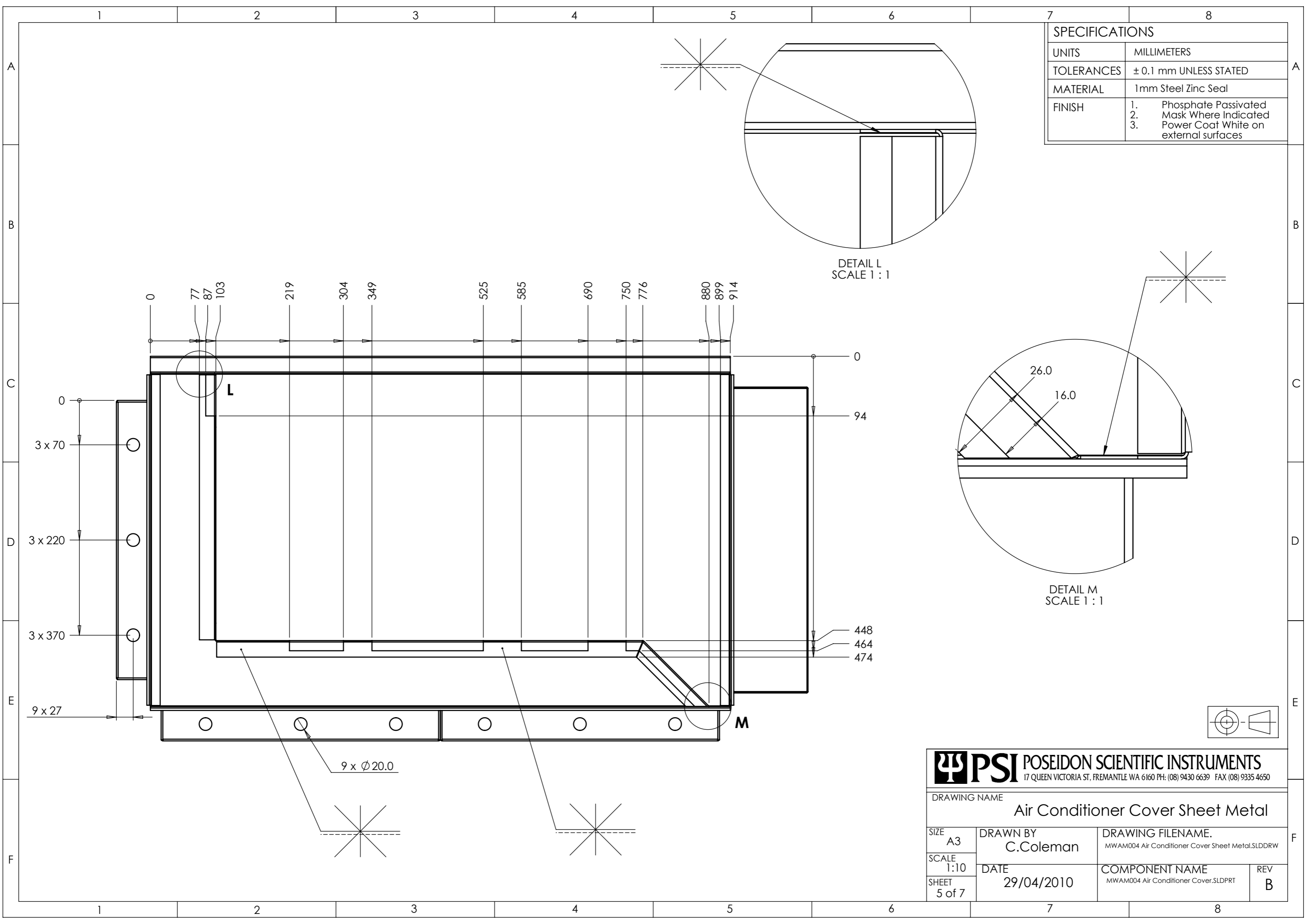
SPECIFICATIONS	
UNITS	MILLIMETERS
TOLERANCES	± 0.1 mm UNLESS STATED
MATERIAL	1mm Steel Zinc Seal
FINISH	1. Phosphate Passivated 2. Mask Where Indicated 3. Power Coat White on external surfaces



DETAIL L
SCALE 1 : 1



DETAIL M
SCALE 1 : 1

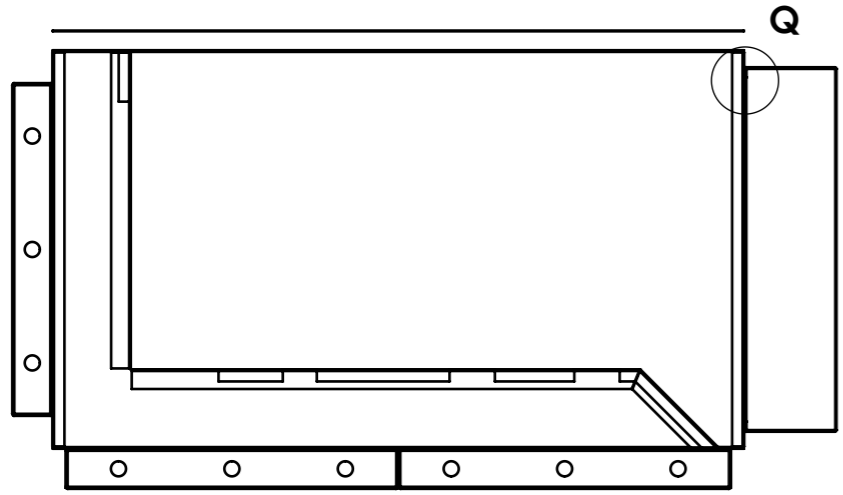


PSI POSEIDON SCIENTIFIC INSTRUMENTS
 17 QUEEN VICTORIA ST, FREMANTLE WA 6160 PH: (08) 9430 6639 FAX (08) 9335 4650

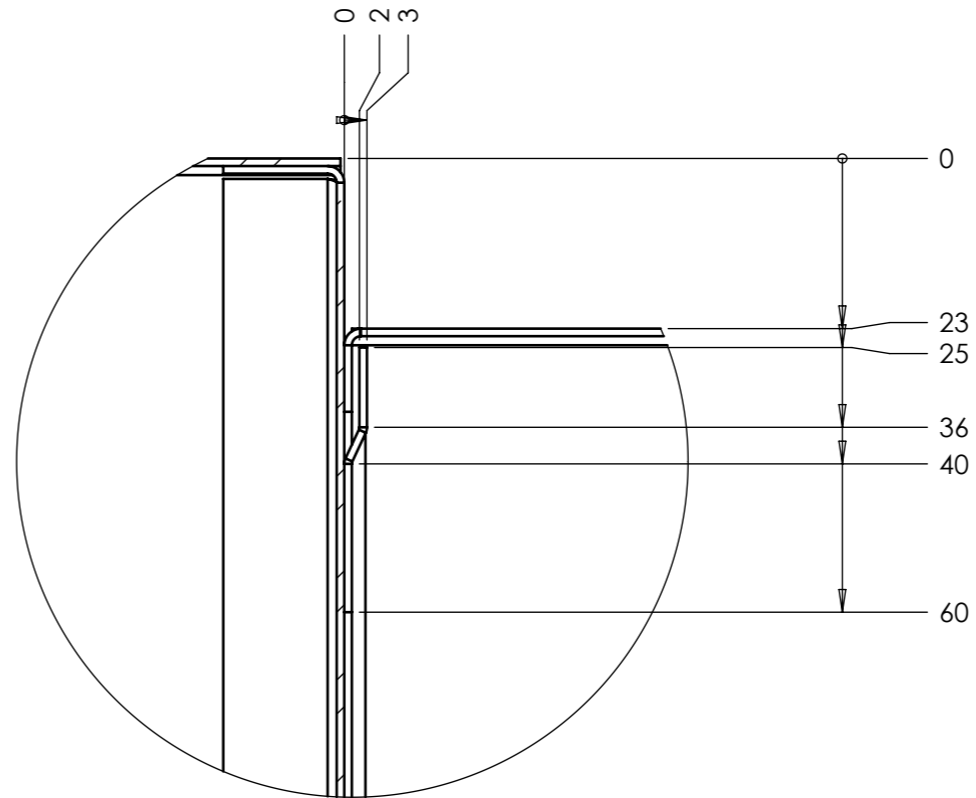
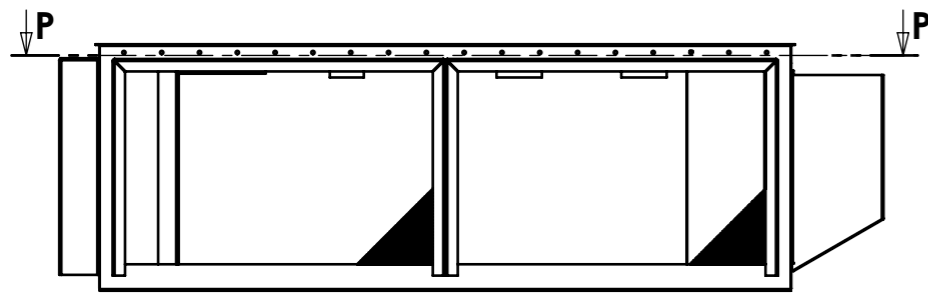
DRAWING NAME: **Air Conditioner Cover Sheet Metal**

SIZE A3	DRAWN BY C.Coleman	DRAWING FILENAME. MWAM004 Air Conditioner Cover Sheet Metal.SLDDRW	
SCALE 1:10	DATE 29/04/2010	COMPONENT NAME MWAM004 Air Conditioner Cover.SLDPRT	REV B
SHEET 5 of 7			

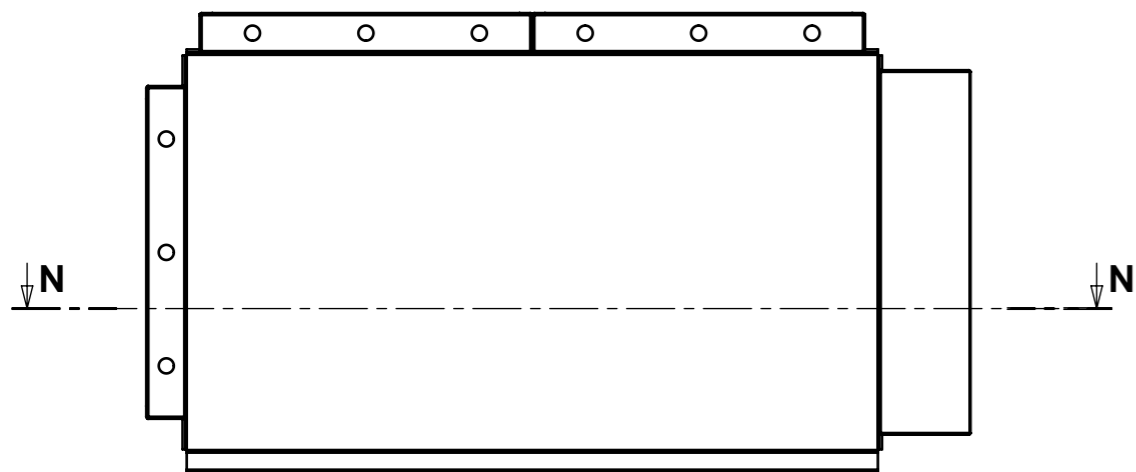
SPECIFICATIONS	
UNITS	MILLIMETERS
TOLERANCES	± 0.1 mm UNLESS STATED
MATERIAL	1mm Steel Zinc Seal
FINISH	1. Phosphate Passivated 2. Mask Where Indicated 3. Power Coat White on external surfaces



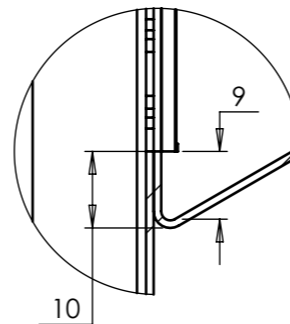
SECTION P-P



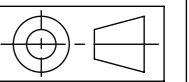
DETAIL Q
SCALE 1 : 1



SECTION N-N



DETAIL O
SCALE 1 : 1

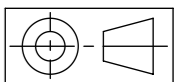
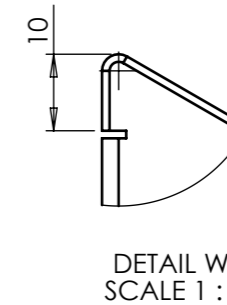
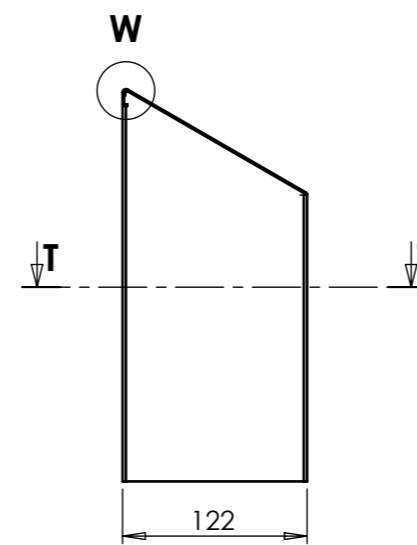
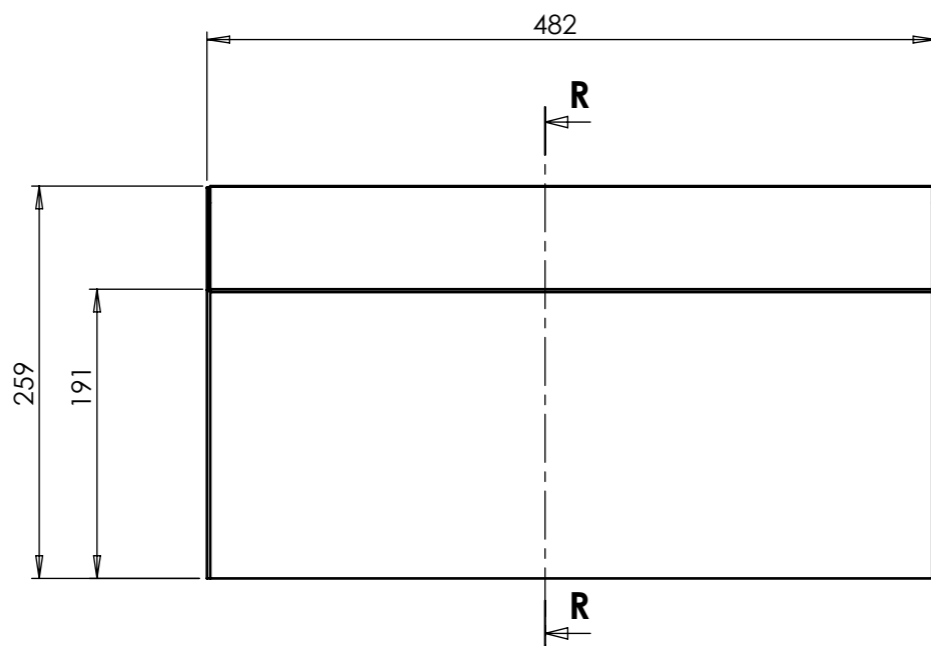
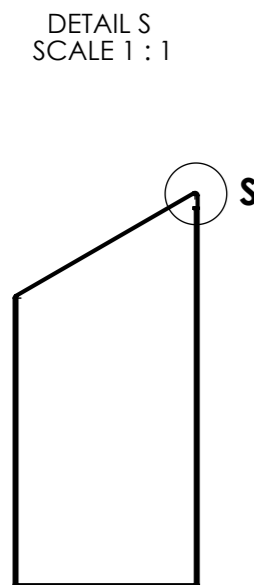
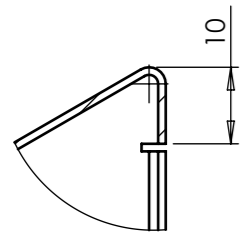
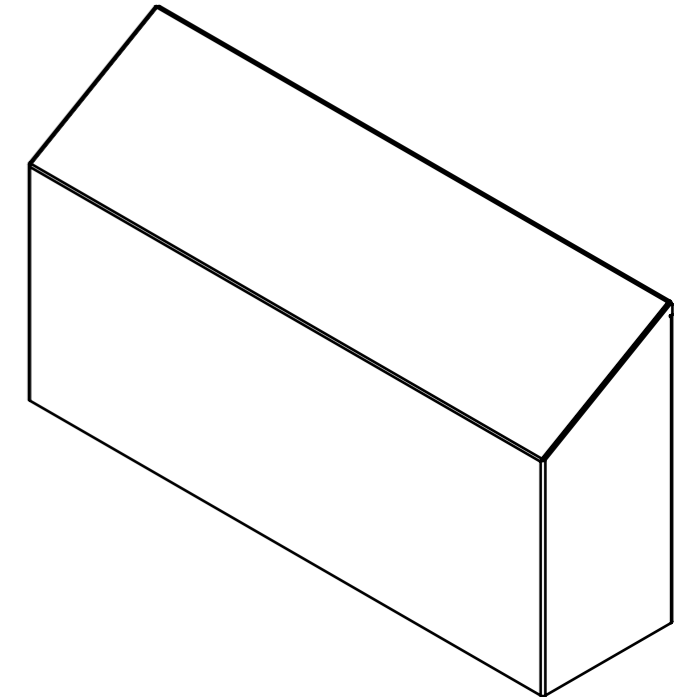
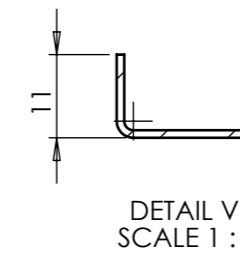
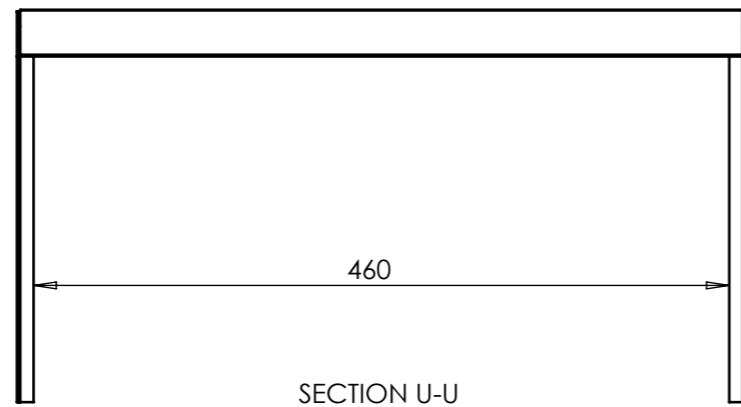


PSI POSEIDON SCIENTIFIC INSTRUMENTS
17 QUEEN VICTORIA ST, FREMANTLE WA 6160 PH: (08) 9430 6639 FAX (08) 9335 4650


DRAWING NAME
Air Conditioner Cover Sheet Metal

SIZE A3	DRAWN BY C.Coleman	DRAWING FILENAME. MWAM004 Air Conditioner Cover Sheet Metal.SLDDRW	
SCALE 1:10	DATE 29/04/2010	COMPONENT NAME MWAM004 Air Conditioner Cover.SLDPRT	REV B
SHEET 6 of 7			

SPECIFICATIONS	
UNITS	MILLIMETERS
TOLERANCES	± 0.1 mm UNLESS STATED
MATERIAL	1mm Steel Zinc Seal
FINISH	1. Phosphate Passivated 2. Mask Where Indicated 3. Power Coat White on external surfaces



Note: This item should slide onto and be removable from the air conditioner cover shown in sheet 1

 PSI POSEIDON SCIENTIFIC INSTRUMENTS <small>17 QUEEN VICTORIA ST, FREMANTLE WA 6160 PH: (08) 9430 6639 FAX (08) 9335 4650</small>			
DRAWING NAME			
Air Outlet Cover Detail			
SIZE	DRAWN BY	DRAWING FILENAME.	
A3	C.Coleman	MWAM004 Air Conditioner Cover Sheet Metal.SLDDRW	
SCALE	DATE	COMPONENT NAME	REV
1:5	29/04/2010	MWAM027 Air outlet cover.SLDPRT	B
SHEET			
7 of 7			