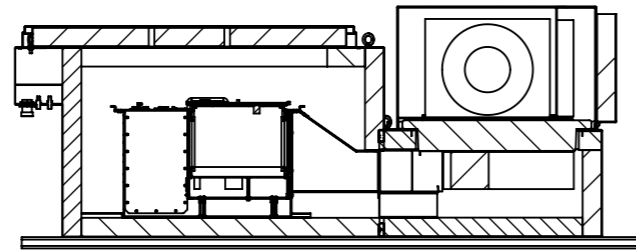
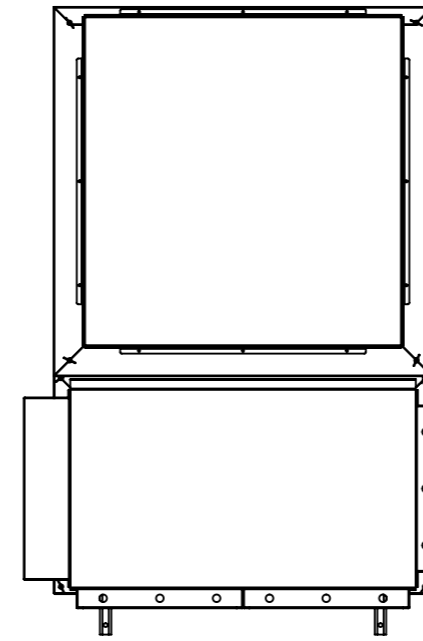
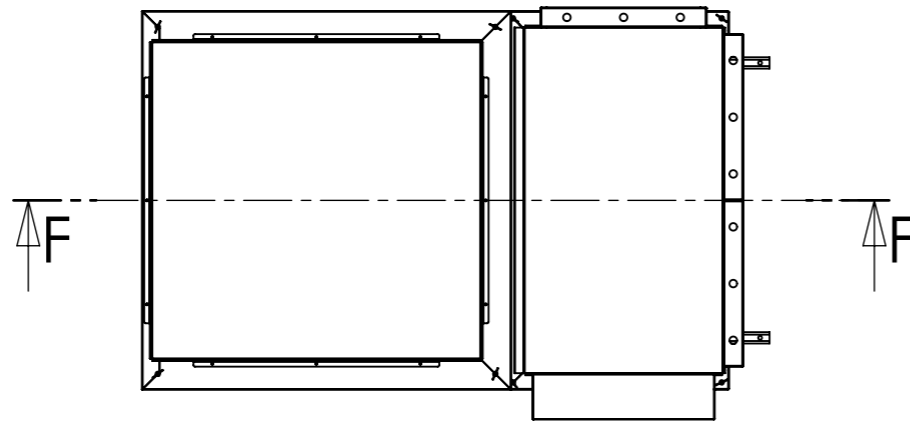


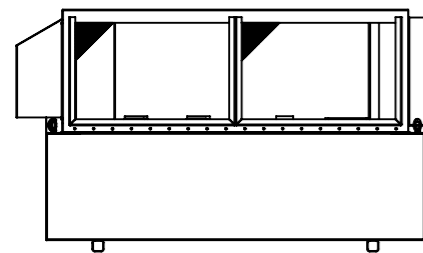
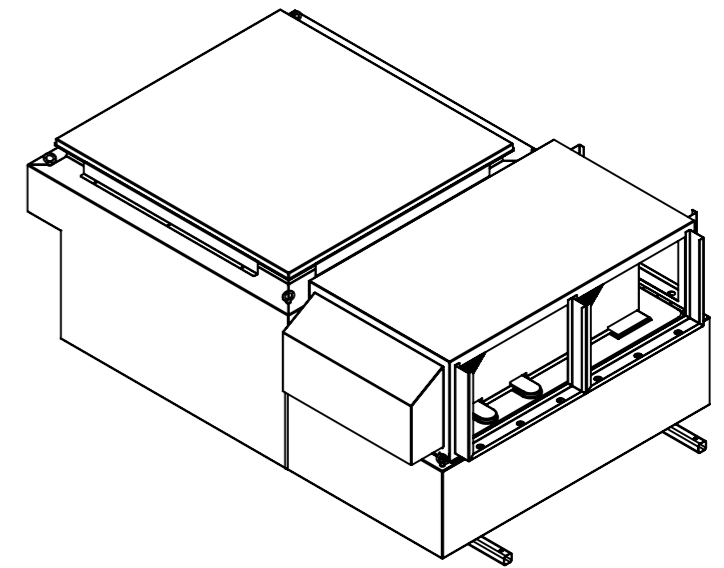
SPECIFICATIONS	
UNITS	MILLIMETERS
TOLERANCES	± 0.1 mm UNLESS STATED
MATERIAL	1.2 mm Steel zinc seal
FINISH	Powder coat white



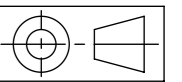
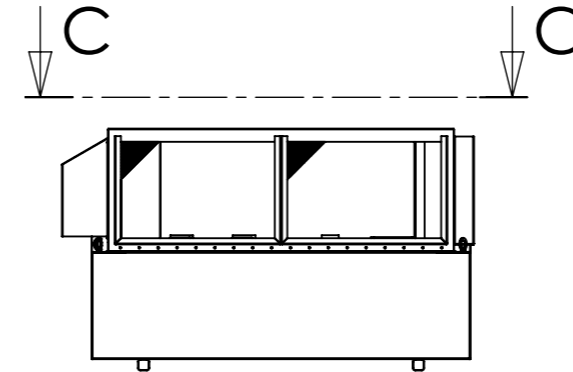
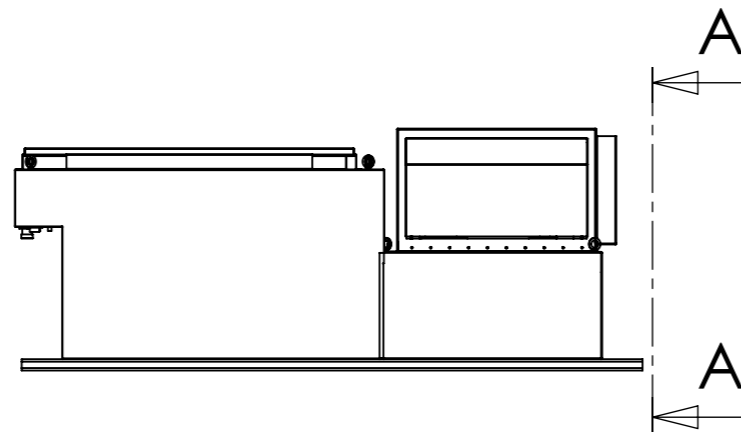
SECTION F-F  
SCALE 1 : 20



SECTION C-C  
SCALE 1 : 20



SECTION A-A  
SCALE 1 : 20



**PSI** POSEIDON SCIENTIFIC INSTRUMENTS  
17 QUEEN VICTORIA ST, FREMANTLE WA 6160 PH: (08) 9430 6639 FAX (08) 9335 4650

DRAWING NAME  
**MWA MAIN ENCLOSURE**

SIZE A3	DRAWN BY I MOORE	DRAWING FILENAME. MWAM001 Main enclosure.SLDRW	
SCALE 1:10	DATE 29/04/2010	COMPONENT NAME MWAM001 Main enclosure.SLDPRT	REV B
SHEET 1 of 1			

REVISIONS

ZONE	REV.	DESCRIPTION	DATE	APPROVED
	B	1. Updated drawings to match received unit.	29/04/2010	