

CABLE DRAWING: MWA-3050

DRAWING TITLE:  
**ADFB U-L Internal RF Cable**

DRAWING NO.: <b>MWACAB-0050</b>	DRAWN BY: <b>DRC</b>	DATE: 3-Nov-10	REV: <b>A</b>
		SHEET: 1 of 3	

**Cable Detail:**

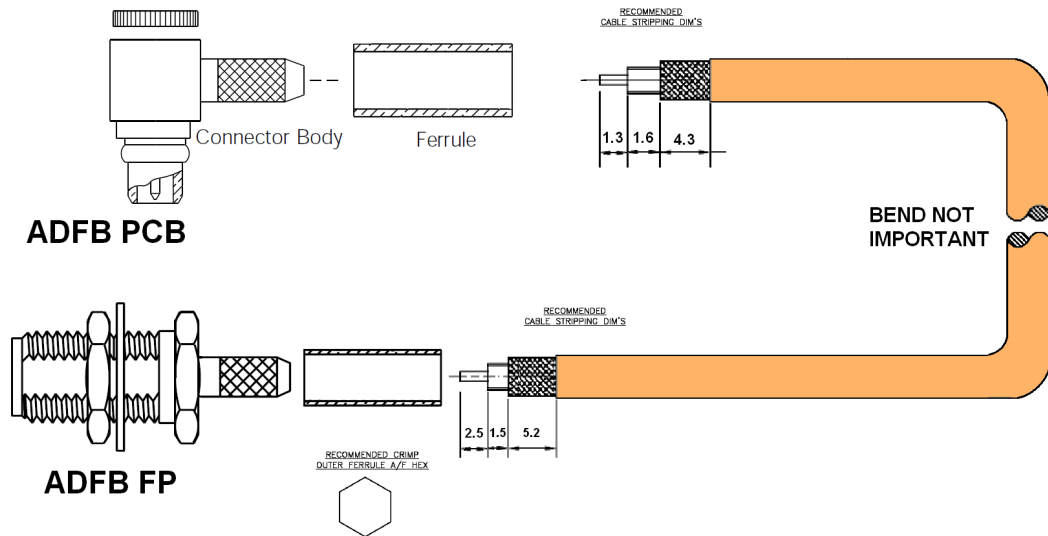
Connectors:	Description	Parts (Qty)
ADFB-PCB	AMPHENOL RF - 908-43300 Plug, MMCX, R/A	See Note1 Below(1)
ADFB-FP	AMPHENOL RF - 901-9875 SMA Bulkhead Jack	See Note2 Below(1)
Conductors:		
Cable	RG 316 Single Screen Cable DC-3GHz, 1.5dB/m@3GHz, Mil-C-17/113-RG316	See Note3 Below(25cm)
Misc:		
-		

Overall Length 250mm+/-5mm

**Notes:**

1. The MMCX Plug connector can be supplied from Element14 #160-8586. Any equivalent will be OK refer to data sheets supplied with this drawing.
2. The SMA Bulkhead Jack connector can be supplied from Element14 #170-4359. Any equivalent will be OK refer to data sheets supplied with this drawing.
3. The cable can be supplied from Rojone #CC-M17\_113\_RG316 or PSI stock (CAB-0182) Any equivalent will be OK refer to data sheets supplied with this drawing

**Typical Drawing:**



**REVISION**

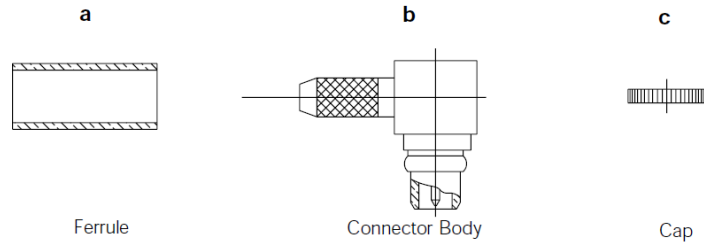
Date	Rev	Remarks
05/01/10	A	Draft
03/11/10	A	Cable lengths added as from RRI module supplied, updated to PSI salem version for release

CABLE DRAWING: MWA-3050

 DRAWING TITLE:  
**ADFB U-L Internal RF Cable**

DRAWING NO.: <b>MWACAB-0050</b>	DRAWN BY: <b>DRC</b>	DATE: 3-Nov-10	REV: <b>A</b>
		SHEET: 2 of 3	

**Assembly Details:**
**ADFB PCB End**
**Assembly Instructions-C72  
MMCX**

**RIGHT ANGLE CONNECTORS FOR FLEXIBLE CABLE**


Amphenol Number	Connector Type	Cable RG-/U	Hex Crimp Data		Stripping Dimensions, inches (mm)		
			Cavity for Outer Ferrule	CTL Series Tool No.	d	e	f
908-43300	Right Angle Plug	RG-174, 188, 316	.128 (3.25)	CTL-13	.170 (4.32)	.235 (5.97)	.285 (7.24)

**Step 1** Prepare cable according to diagram. Do not damage braid and inner conductor of cable. Slide crimp ferrule "a" over the braid.

**Step 2** Flare braid and insert into body. Slide crimp ferrule over body and crimp the ferrule using appropriate crimp tool and die cavity.

**Step 3** Solder inner conductor to contact (Sn 60 recommended). Place cap "c" on rear opening of body "b". Press cap "c" into housing "b" with a flat punch or tool #908-50100.

**REVISION**

Date	Rev	Remarks
05/01/10	A	Draft
03/11/10	A	Cable lengths added as from RRI module supplied, updated to PSI salem version for release

CABLE DRAWING:

**MWA-3050**

DRAWING TITLE:

**ADFB U-L Internal RF Cable**

DRAWING NO.:  
**MWACAB-0050**

DRAWN BY:  
**DRC**

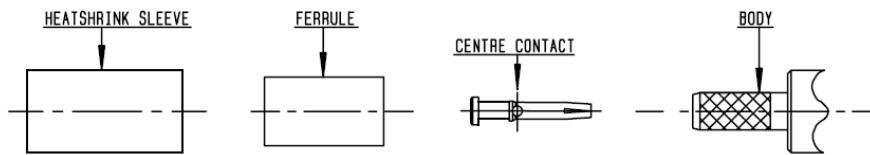
DATE: 3-Nov-10

REV:

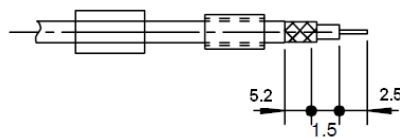
SHEET: 3 of 3

**A**

**ADFB Front Panel End**

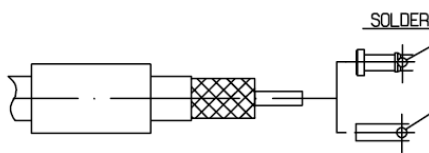


**1**



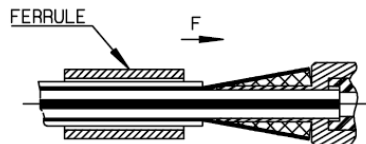
- 1.1 Slide onto the cable the ferrule and the heatshrink sleeve .
- 1.2 Strip the cable .

**2**



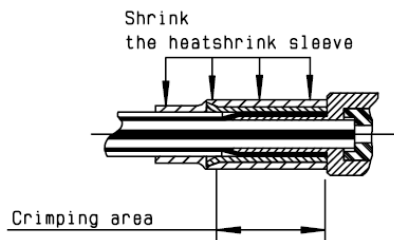
- 2.1 Slide on centre contact until it bottoms against cable dielectrique
- 2.2 Crimp or solder center contact
- 2.3 Clean soldering area .

**3**



- 3.1 Fan the braid .
- 3.2 Slide the cable into the body until it bottoms against insulator .
- 3.2 Slide the ferrule over the braid . (In direction F)

**4**



- 4.1 Crimp the ferrule.
- 4.2 Cut the excess of braid .
- 4.3 Slide sleeve over ferrule and heatshrink in place .

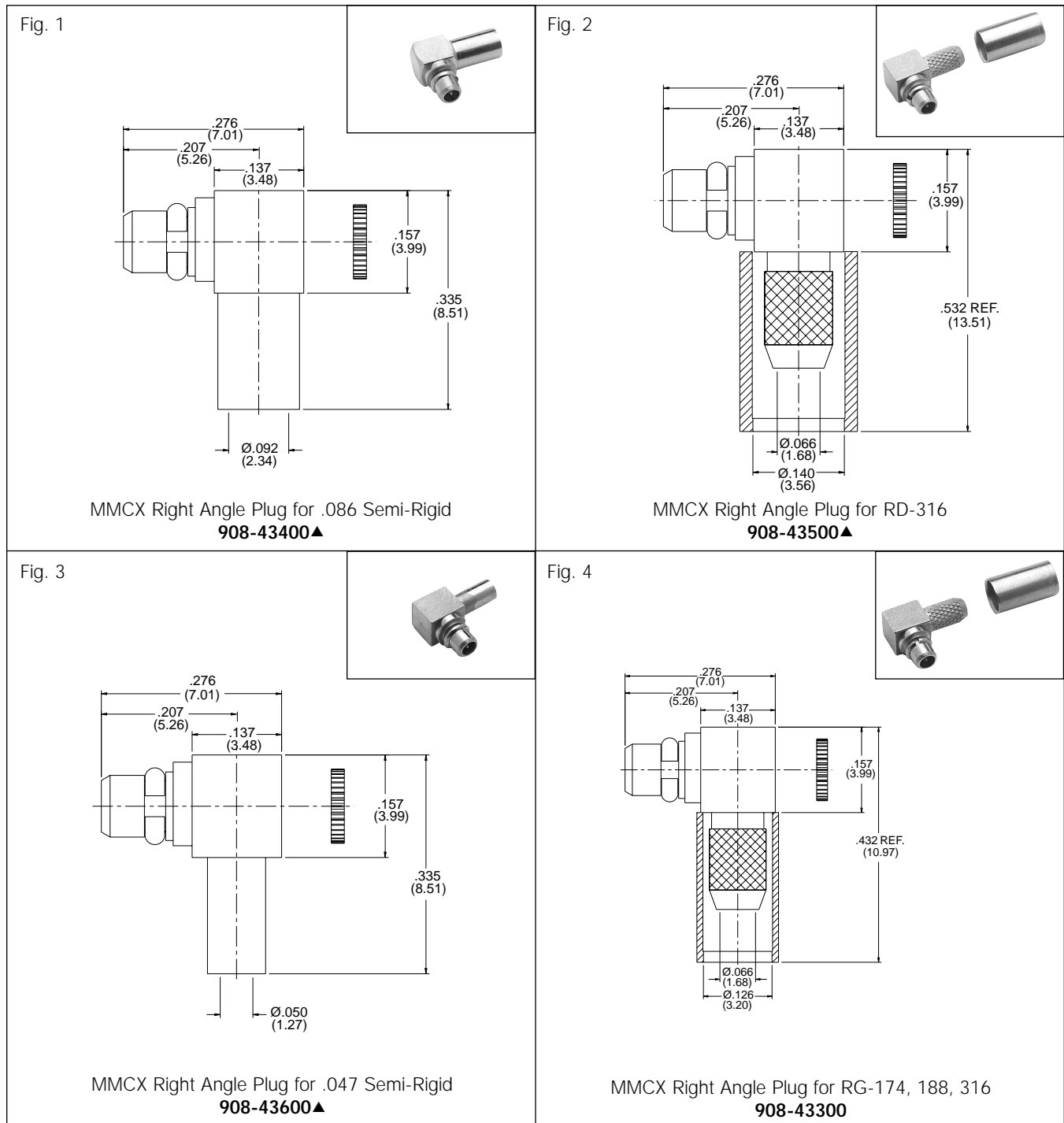
**Connection Detail:**

From: (ADFB-PCB)  
To: (ADFB-FP)

Attached to the ADFB PCB MMCX Conneters  
Attached to ADFB Front Panel

**REVISION**

Date	Rev	Remarks
05/01/10	A	Draft
03/11/10	A	Cable lengths added as from RRI module supplied, updated to PSI salem version for release



## MicroMate™ (MMCX) CABLE CONNECTORS

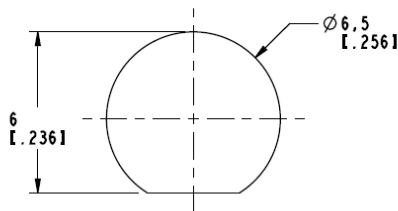
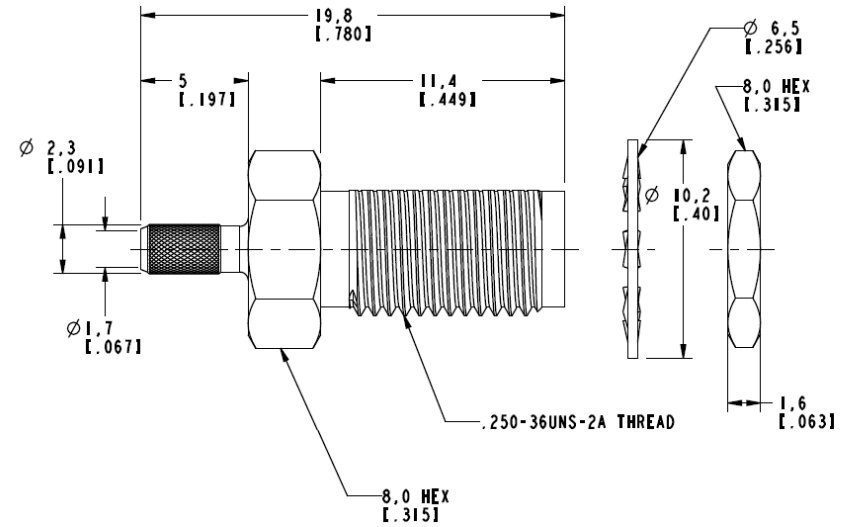
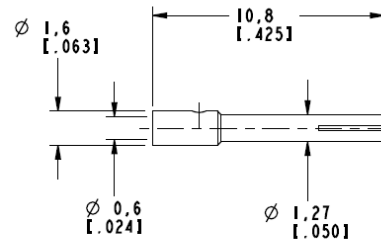
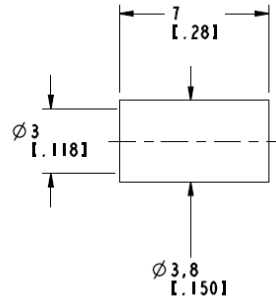
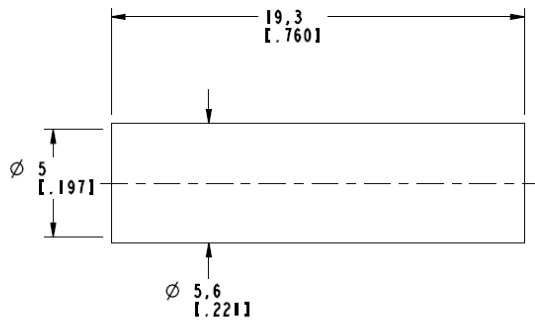
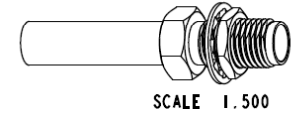
Cable RG-/U	Cable Attachment		CAI	Plt.	Ins.	Construction Notes	Amphenol Number	Fig.
	Outer	Inner						
.086 Semi-Rigid	Solder	Solder	C73	P11	D1	Captivated Contact	▲ 908-43400	1
RD-316	Crimp	Solder	C72	P11	D1	Captivated Contact	▲ 908-43500	2
.047 Semi-Rigid	Solder	Solder	C73	P11	D1	Captivated Contact	▲ 908-43600	3
RG-174, 188, 316	Crimp	Solder	C72	P11	D1	Captivated Contact	▲ 908-43300	4

▲ Distributor Stocked

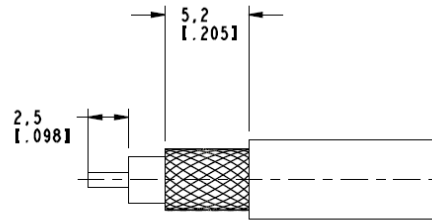
NOTES:

1. MATERIALS OF CONSTRUCTION:  
 BODY & HEX NUT = BRASS (ASTM-B16 HO2, C36000), GOLD PLATED (.000003 MIN THICK)  
 CONTACT PIN = BeCu (OO-C-530), GOLD PLATED (.000050 MIN THICK)  
 LOCKWASHER = BRASS (OO-B-613), GOLD PLATED (.000003 MIN THICK)  
 FERRULE = COPPER, GOLD PLATED (.000003 MIN THICK)  
 INSULATOR = PTFE, ASTM D 1710 OR EQUIV.  
 HEAT SHRINK TUBING = COLOR BLACK

901-9875		REVISIONS			
DRAWING NO.	REV	DESCRIPTION	DATE	ECO	APPR
THIRD ANGLE PROJ.	A	RELEASE TO MFG.	4/7/95	40352	PB/RV
	C	SEE SHEET I	10/2/02	44222	CPM



RECOMMENDED MOUNTING  
 HOLE DIMENSIONS  
 SCALE 5.000



RECOMMENDED CABLE  
 STRIPPING DIMENSIONS  
 SCALE 3.000

**CUSTOMER OUTLINE DRAWING**  
 ALL OTHER SHEETS ARE FOR INTERNAL USE ONLY

UNLESS OTHERWISE SPECIFIED, DIMENSIONS ARE IN MM (INCHES) AND TOLERANCES ARE: 0.5 - 6mm ±0.2mm 6 - 30mm ±0.4mm 30 - 120mm ±0.6mm	MATERIAL	DRAWN C. McGRATH	DATE 10/1/02	TITLE SMA BULKHEAD CRIMP JACK (FOR RG-174/U, 188A/U, 316/U CABLES)	Amphenol Amphenol Corporation Communication and Network Products Division Danbury, CT U.S.A. 06810 SCALE: 4.0:1 SHEET 2 OF 2	
	REFERENCE GEN# 901-10039-RFX_ASSY EAR 966280-3 & 111-964413	ENGINEER O. BARTHELMES	DATE 10/1/02	APPROVED O. BARTHELMES		DATE 10/2/02
NOTICE - These drawings, specifications, or other data (1) are, and remain the property of Amphenol Corp. (2) must be returned upon request; and (3) are confidential and not to be disclosed to any person other than those to whom they are given by Amphenol Corp. The furnishing of these drawings, specifications, or other data by Amphenol Corp., or to any other person to anyone for any purpose is not to be regarded by implication or otherwise in any manner licensing, granting rights or permitting such holder or any other person to manufacture, use or sell any product, process or design, patented or otherwise, that may in any way be related to or disclosed by said drawings, specifications, or other data.		CAD FILE I:\SMA\901-9875	CODE ID 74868	DWG SIZE B	DRAWING NO. 901-9875	REV C

This specification describes a 50-ohm high temperature coaxial cable constructed to meet the requirements of Mil-C-17/113-RG316.

**CONDUCTOR**

Material: Silver-coated Copper Covered Steel  
 Size: AWG 25  
 Construction: 7 x .0067  
 OD(nom): .0201"

**INSULATION**

Material: Extruded PTFE  
 OD(nom): .059"

**SHIELD**

Material: Silver-coated Copper Braid  
 Size: AWG 38  
 Coverage(nom): 95.9%  
 OD(nom): .077"

**JACKET**

Material: Extruded FEP  
 OD: .098" ± .004"

**COLOR**

Natural  
 Jacket: Translucent Brown

**CABLE CHARACTERISTICS**

Impedance: 50 +/- 2 ohms  
 Capacitance(max): 32 pF/ft  
 Weight(max): 12.2 lbs/1,000 ft

Frequency (MHz)	Attenuation (dB/100 ft)
50	7.5
100	11
400	21
1000	38
3000	58

All of the statements, illustrations, technical information and recommendations contained herein are based on tests and other information Tensolite Company believes to be reliable, but the accuracy or the completeness thereof or the suitability of the product described herein for a particular application or use is not guaranteed, and this disclaimer is made in lieu of all warranties either expressed or implied.

**TENSOLITE CONFIDENTIAL**

This document, containing proprietary information of the Tensolite Company, is strictly confidential and is not to be disclosed by any person without the written consent of the Tensolite Company.

TENSOLITE COMPANY  
 SUBSIDIARY OF CARLISLE CORPORATION  
 ST. AUGUSTINE, FL

Drawn by: **Chris Lowe** Date: **1/16/97**

Approved By: **John Beatty** Date: **1/16/97**

Customer Spec

Tensolite P/N File  
**M17/113-RG316**

-	1/16/97	Redrawn